



US00D982758S

(12) **United States Design Patent** (10) **Patent No.:** **US D982,758 S**
Goo et al. (45) **Date of Patent:** **** Apr. 4, 2023**

(54) **HEART RATE MONITOR**

(56) **References Cited**

(71) Applicant: **Peloton Interactive, Inc.**, New York, NY (US)

U.S. PATENT DOCUMENTS

(72) Inventors: **Kah Jon Goo**, Lisle, IL (US);
Benjamin G. Schultz, Brooklyn, NY (US); **Sander Chang**, Taipei (TW);
Otis Chu, Taipei (TW); **Kevin Kan**, New York, NY (US); **Eric Kiss**, Brooklyn, NY (US); **Megan McLoughlin**, New York, NY (US); **Jason Okamoto**, Hollister, CA (US); **Josh Wu**, Taipei (TW)

4,809,700	A	*	3/1989	Castelli	A61B 5/25 D24/186
D392,740	S	*	3/1998	Yung	D24/169
D434,150	S	*	11/2000	Tumey	D24/111
D524,444	S	*	7/2006	Tomioka	D24/186
D548,128	S	*	8/2007	Andren	D11/3
D550,112	S	*	9/2007	Andren	D11/3
D553,536	S	*	10/2007	Andren	D11/3
D570,711	S	*	6/2008	Dorsz	D10/32
D584,974	S	*	1/2009	Fukuda	D10/70
D597,211	S	*	7/2009	Ewing	D24/187
D601,257	S	*	9/2009	Berlinger	D24/186
D603,966	S	*	11/2009	Jones	D24/165
D610,688	S	*	2/2010	Donars	D24/169
D615,655	S	*	5/2010	Maser	D24/169
D632,202	S	*	2/2011	Rodarmel	D11/3
D639,956	S	*	6/2011	Bain	D24/169
D646,391	S	*	10/2011	Ibuki	D24/165
D663,422	S	*	7/2012	Missanelli	D24/169
D664,880	S	*	8/2012	Cobbett	D11/3
D664,881	S	*	8/2012	Cobbett	D11/3
D664,882	S	*	8/2012	Cobbett	D11/3
D668,340	S	*	10/2012	Wang	D24/165
D670,388	S	*	11/2012	Jin	D24/165
D676,137	S	*	2/2013	Lindberg	D24/187
D678,533	S	*	3/2013	Bernstein	D24/187
D688,584	S	*	8/2013	Cobbett	D11/3
D691,726	S	*	10/2013	Jin	D24/169
D695,406	S	*	12/2013	Tsai	D24/169
D716,174	S	*	10/2014	Tsang	D11/3
D718,455	S	*	11/2014	Maser	D24/169
D718,866	S	*	12/2014	Law	D24/167
D719,264	S	*	12/2014	Law	D24/167
D719,659	S	*	12/2014	Wada	D24/169
D721,177	S	*	1/2015	Ahlstrom	D24/169
D725,768	S	*	3/2015	Eustis	D24/165
D726,571	S	*	4/2015	Kovach	D11/3
D727,183	S	*	4/2015	Park	D10/70
D728,394	S	*	5/2015	Au Yeung	D10/70
D733,305	S	*	6/2015	Miyashita	D24/169
D737,699	S	*	9/2015	Chang	D10/70
D739,943	S	*	9/2015	Pernu	D24/167
D739,944	S	*	9/2015	Pernu	D24/167
D747,490	S	*	1/2016	Harkin	D24/169
D750,786	S	*	3/2016	Davies	D24/169
D751,210	S	*	3/2016	Thomas	D24/186
D753,314	S	*	4/2016	Stivoric	D24/187
D755,787	S	*	5/2016	Zander	D14/344
D758,900	S	*	6/2016	Garner	D10/70

(73) Assignee: **Peloton Interactive, Inc.**, New York, NY (US)

(**) Term: **15 Years**

(21) Appl. No.: **29/769,582**

(22) Filed: **Feb. 5, 2021**

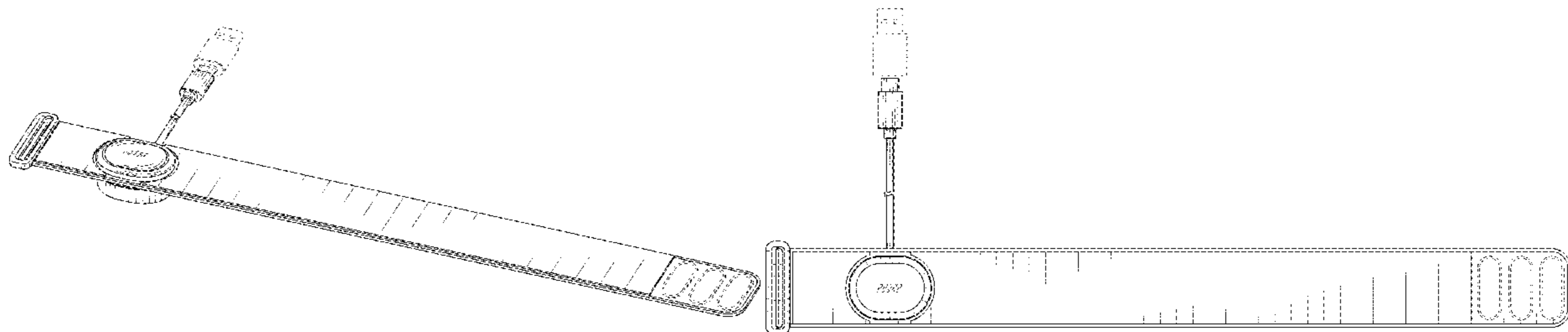
(51) **LOC (14) Cl.** **24-01**

(52) **U.S. Cl.**
USPC **D24/167**

(58) **Field of Classification Search**
USPC D24/107, 164–169, 185–187; D10/98, D10/75, 70, 30, 32, 38; D14/344; D11/2–5

CPC A61B 5/0404; A61B 5/021; A61B 5/024; A61B 5/02438; A61B 5/681; A61B 5/0402; A61B 2560/0462; A61B 5/0205; A61B 5/0247; A61B 5/14552; A61B 5/6626; A61B 5/6638; A61B 5/0011; A61B 5/050022; A61B 5/02411; A61B 5/0444; A61B 5/0448; A61B 5/4356; A61B 5/4362; A61B 5/6833; A61B 8/02; A61B 8/08; A61B 8/0866; A61B 8/4227; A61B 8/4281; A61B 8/488; A61F 5/028; A61F 5/048; A61F 5/02438; A61F 5/6803

See application file for complete search history.



D760,395 S *	6/2016	Barbaric	D24/186
D781,164 S *	3/2017	Haapakoski	D10/70
D782,045 S *	3/2017	Chou	D24/164
D787,067 S *	5/2017	Wightman	D24/169
D789,929 S *	6/2017	Tan	D14/344
D790,374 S *	6/2017	Lean	D10/70
D795,719 S *	8/2017	Lean	D10/70
D796,357 S *	9/2017	Park	D24/169
D796,363 S *	9/2017	Ross	D10/70
D800,313 S *	10/2017	Chang	D24/167
D801,527 S *	10/2017	Nishiyama	D24/166
D803,709 S *	11/2017	Le Bihan	D10/70
D804,335 S *	12/2017	Bihan	D10/70
D805,413 S *	12/2017	Chen	D10/70
D805,643 S *	12/2017	Wu	D24/167
D809,664 S *	2/2018	Ma	D24/169
D814,643 S *	4/2018	Mockler	D14/344
D822,836 S *	7/2018	Wu	D10/38
D824,530 S *	7/2018	Velschow	D24/169
D827,838 S *	9/2018	Lillquist	D10/38
D830,557 S *	10/2018	Sebban	D24/167
D831,521 S *	10/2018	Hodge	D11/3
D833,625 S *	11/2018	Guan	D14/344
D838,194 S *	1/2019	Mays	D10/70
D838,853 S *	1/2019	Lumme	D10/70
D840,041 S *	2/2019	Li	D14/344
D841,171 S *	2/2019	Li	D14/344
D842,719 S *	3/2019	Doan	D10/70
D848,875 S *	5/2019	Wildner	D10/70
D854,697 S *	7/2019	Yang	D24/187
D857,011 S *	8/2019	Kang	D14/344
D857,542 S *	8/2019	Sun	D11/3
D860,989 S *	9/2019	Choplin	D14/344
D863,997 S *	10/2019	Garner	D10/70
D867,599 S *	11/2019	Barbaric	D24/186
D868,780 S *	12/2019	Doan	D14/344
D877,339 S *	3/2020	Xian	D24/165
D881,044 S *	4/2020	Nguyen	D10/70
D887,405 S *	6/2020	Kozlovskaya	D14/344
D893,728 S *	8/2020	Zhao	D24/165
D894,398 S *	8/2020	Wei	D24/169
D894,399 S *	8/2020	Wei	D24/169
D895,613 S *	9/2020	Kozlovskaya	D14/344
D895,805 S *	9/2020	Wei	D24/169
D901,317 S *	11/2020	Nothacker	D10/70
D903,872 S *	12/2020	Wang	D24/169
D904,920 S *	12/2020	Harms	D14/344
D908,882 S *	1/2021	De Marco	D24/165
D908,883 S *	1/2021	Eilevstjønn	D24/167
D912,666 S *	3/2021	Bournique	D14/344
D912,830 S *	3/2021	Eisen	D24/186
D917,304 S *	4/2021	Cabral	D10/32
D917,699 S *	4/2021	Lim	D24/169
D918,071 S *	5/2021	Nothacker	D10/70
D919,095 S *	5/2021	Hwang	D24/167
D919,101 S *	5/2021	Jung	D24/186
D922,582 S *	6/2021	Peng	D24/165
D924,231 S *	7/2021	Zhang	D14/344
D925,742 S *	7/2021	Zhang	D24/165
D926,324 S *	7/2021	Zhang	D24/169
D928,325 S *	8/2021	Hwang	D24/167
D928,647 S *	8/2021	Harms	D24/186
D928,963 S *	8/2021	Hwang	D24/167
D929,879 S *	9/2021	Paschke	D10/70
D930,837 S *	9/2021	Hwang	D24/167
D931,467 S *	9/2021	Golda	D24/186
D933,235 S *	10/2021	Hwang	D14/344
D934,430 S *	10/2021	Jariwala	D24/186
D935,617 S *	11/2021	Vardi	D24/167
D937,418 S *	11/2021	Byler	D24/167
D937,423 S *	11/2021	Albert	D24/186
D939,365 S *	12/2021	Nothacker	D10/70
D940,330 S *	1/2022	Räisänen	D10/70
D944,792 S *	3/2022	Fraboulet	D14/344
D948,057 S *	4/2022	Rahman	D24/173
D949,720 S *	4/2022	Matsumoto	D10/70
D950,549 S *	5/2022	King	D14/344
D952,160 S *	5/2022	Kim	D24/186

2002/0026937 A1 *	3/2002	Mault	G01N 33/497 128/200.24
2014/0336493 A1 *	11/2014	Kulach	A61B 5/6831 600/390
2017/0319063 A1 *	11/2017	Verdooner	A61B 5/4809
2017/0340210 A1 *	11/2017	Chuang	A61B 5/02141
2019/0021612 A1 *	1/2019	Lin	A61B 5/022
2019/0037919 A1 *	2/2019	Doan	G09B 5/02
2019/0110755 A1 *	4/2019	Capodilupo	G06K 9/6282
2021/0161470 A1 *	6/2021	Wu	A61B 5/6825
2021/0251572 A1 *	8/2021	Gill	A61B 5/681
2022/0142529 A1 *	5/2022	Li	A61B 5/681
2022/0151492 A1 *	5/2022	Atkin	A61B 5/749

OTHER PUBLICATIONS

Peleton Heart Rate Band, [site visited Jun. 10, 2022]. Available from Internet. URL: <https://www.onepeloton.com/shop/accessories/heart-rate-band> (Year: 2022).*

* cited by examiner

Primary Examiner — T Chase Nelson

Assistant Examiner — Kelly L Gross

(74) Attorney, Agent, or Firm — Haynes and Boone, LLP

(57) CLAIM

The ornamental design for a heart rate monitor, as shown and described.

DESCRIPTION

The claimed heart rate monitor, for example, may be used for detecting or monitoring heart rate via a rechargeable pod that is releasably coupled to a wrist strap (e.g., as set forth in related U.S. Provisional Patent Application No. 63/146,436 filed Feb. 5, 2021, which is incorporated herein by reference in its entirety).

FIG. 1 is a rear, right, and top perspective view of a wrist strap of a heart rate monitor embodying the new design; FIG. 2 is a front, left, and bottom perspective view thereof; FIG. 3 is a top plan view thereof; FIG. 4 is a bottom plan view thereof; FIG. 5 is a right side view thereof; FIG. 6 is a front elevational view thereof; FIG. 7 is a rear elevational view thereof; FIG. 8 is a left side view thereof; FIG. 9 is a rear, right, and top perspective view of a charger of the heart rate monitor embodying the new design; FIG. 10 is a front, left, and bottom perspective view thereof; FIG. 11 is a top plan view thereof; FIG. 12 is a bottom plan view thereof; FIG. 13 is a front elevational view thereof; FIG. 14 is a rear elevational view thereof; FIG. 15 is a left side view thereof; FIG. 16 is a right side view thereof; FIG. 17 is a rear, right, and top perspective view of a pod of the heart rate monitor embodying the new design; FIG. 18 is a front, left, and bottom perspective view thereof; FIG. 19 is a top plan view thereof; FIG. 20 is a bottom plan view thereof; FIG. 21 is a right side view thereof; FIG. 22 is a left side view thereof; FIG. 23 is a front elevational view thereof; FIG. 24 is a rear elevational view thereof; FIG. 25 is a front, right, and top perspective view of the heart rate monitor embodying the new design;

FIG. 26 is a front, right, and bottom perspective view thereof;

FIG. 27 is a top plan view thereof;

FIG. 28 is a bottom plan view thereof;

FIG. 29 is a right side view thereof;

FIG. 30 is a left side view thereof;

FIG. 31 is a rear elevational view thereof; and,

FIG. 32 is a front elevational view thereof.

The broken lines are shown for the purpose of illustrating portions of the heart rate monitor and environmental matter that form no part of the claimed design. The charger of the heart rate monitor is shown with a symbolic break in its length and the appearance of any portion between the break lines forms no part of the claimed design. The dot-dash broken lines define the bounds of the claimed design and form no part thereof.

1 Claim, 21 Drawing Sheets

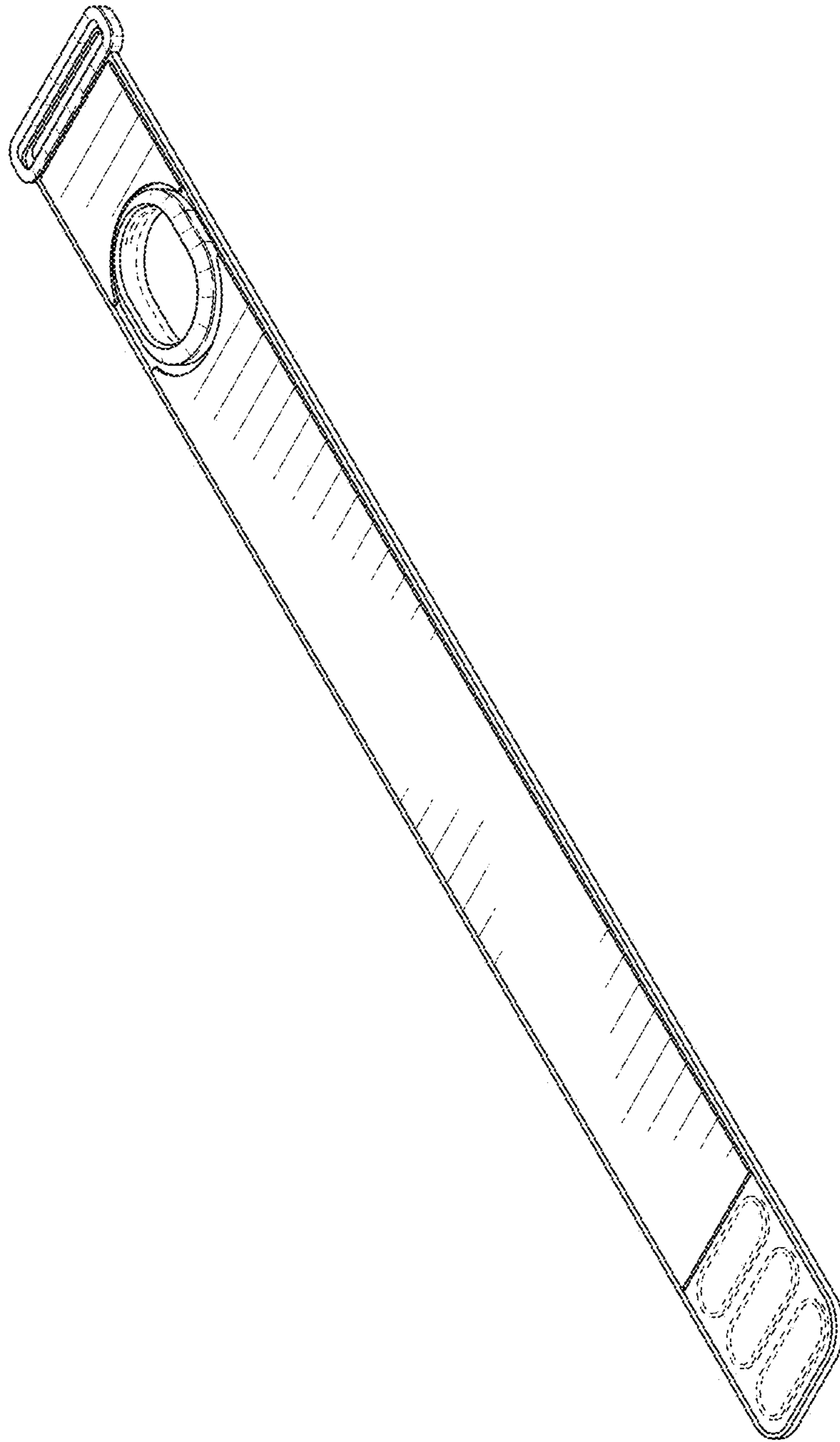


FIG. 1

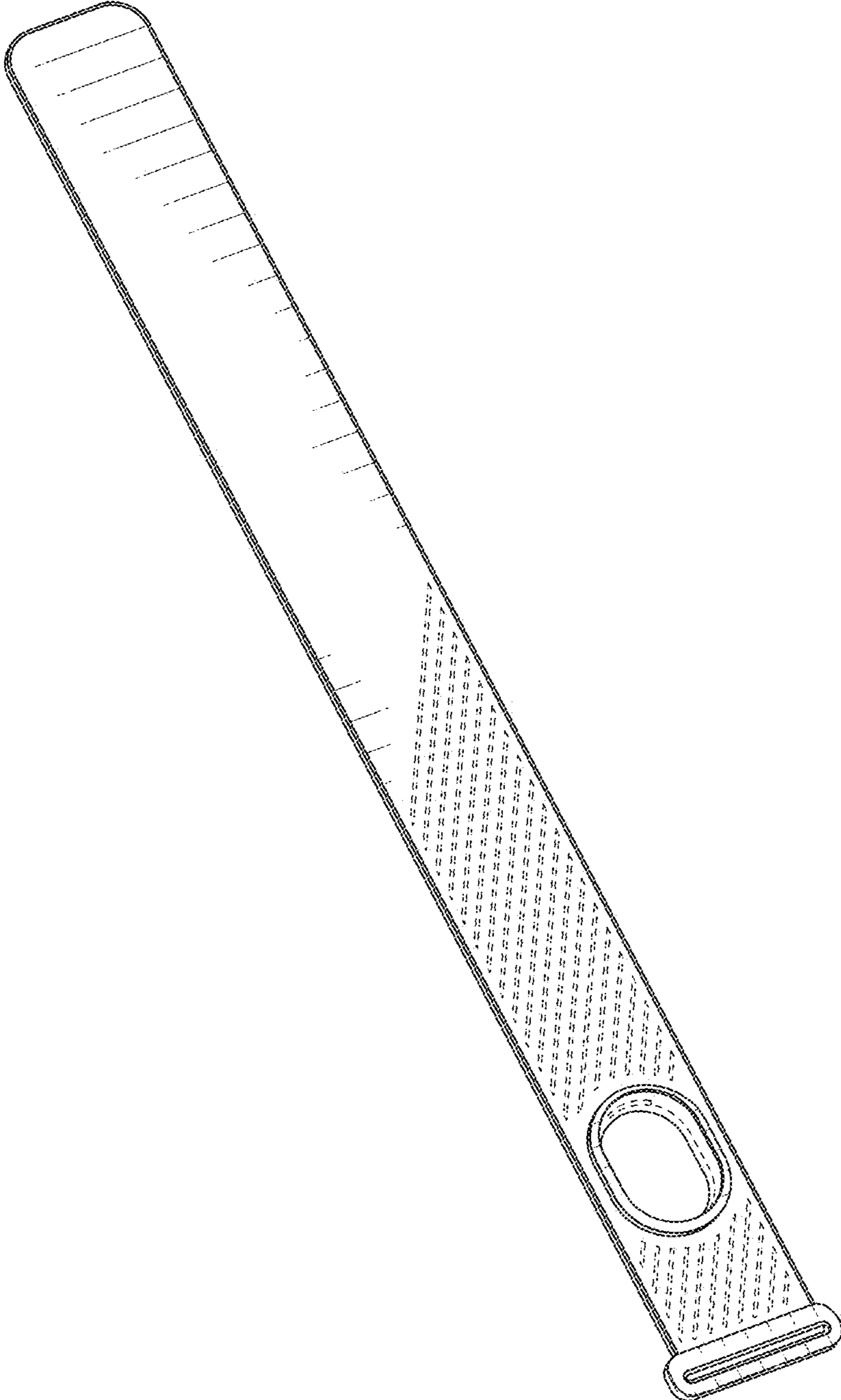


FIG. 2

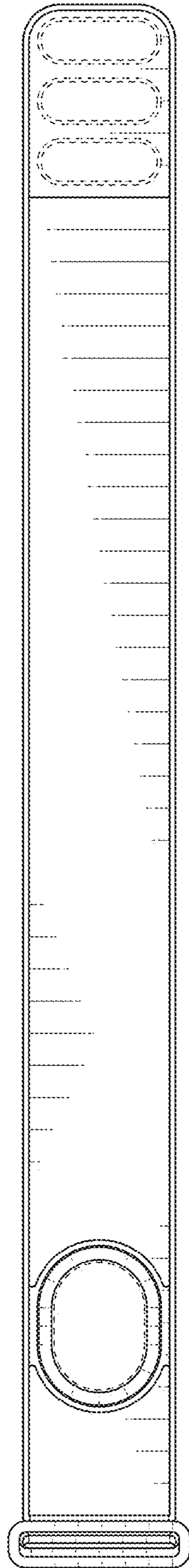


FIG. 3

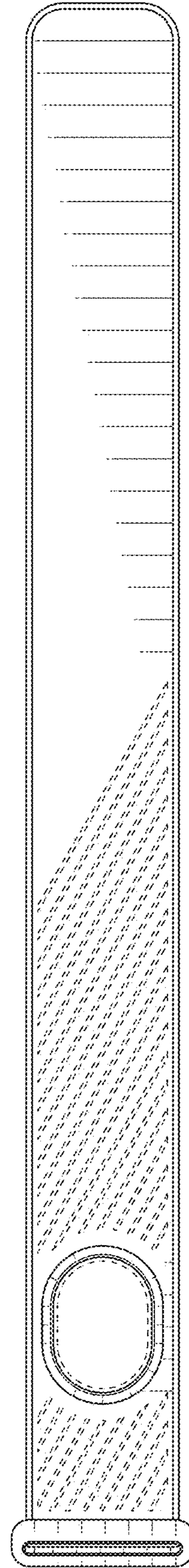


FIG. 4



FIG. 5



FIG. 6

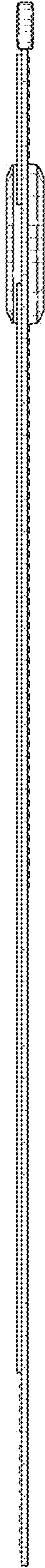


FIG. 7

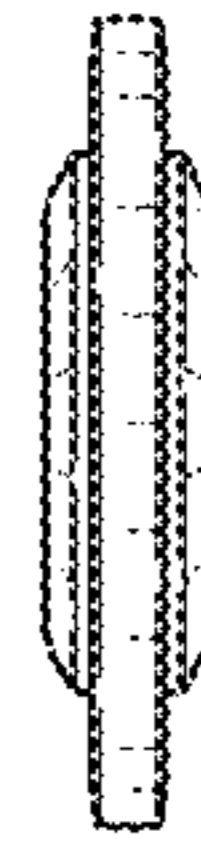


FIG. 8

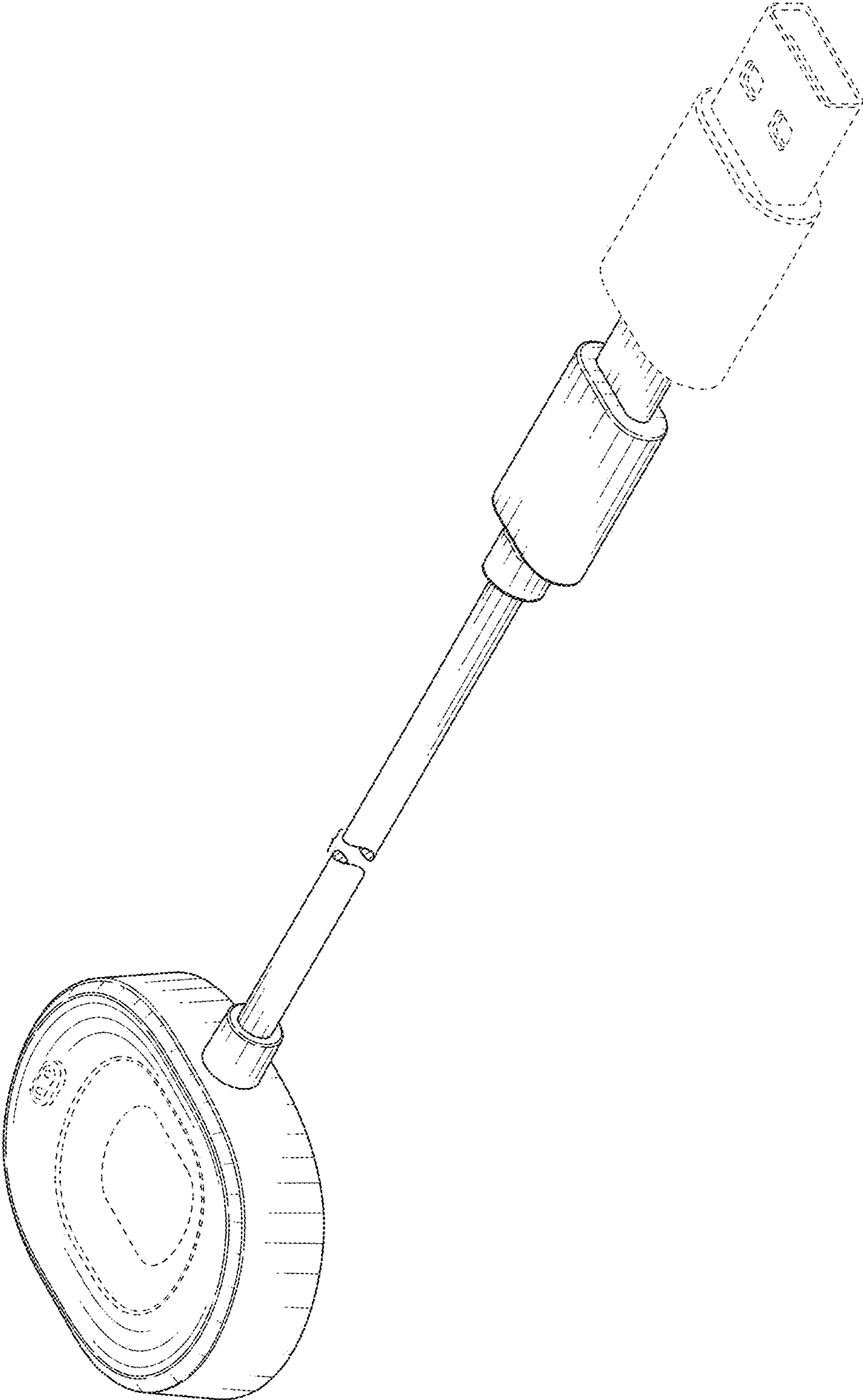


FIG. 9

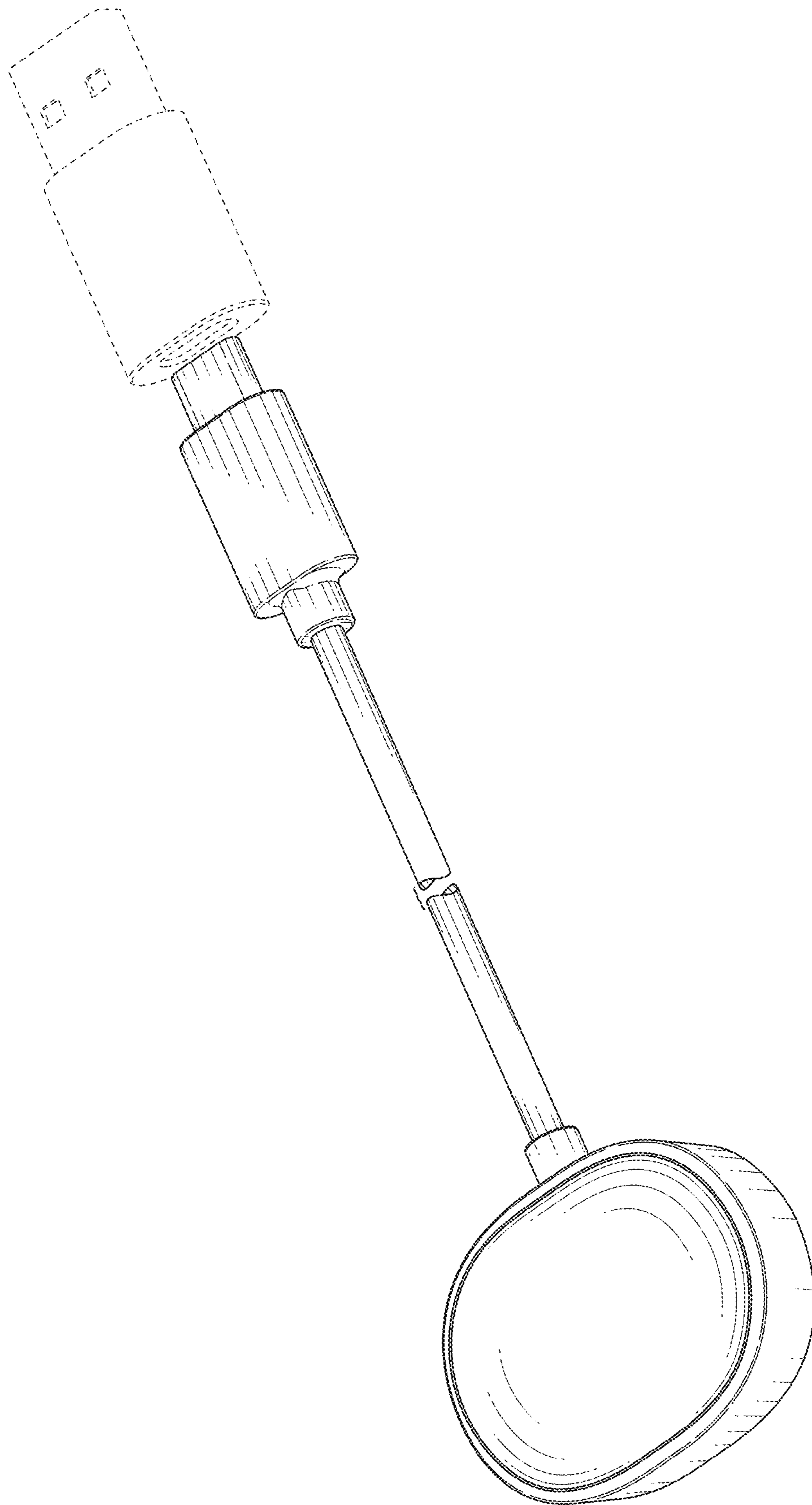


FIG. 10

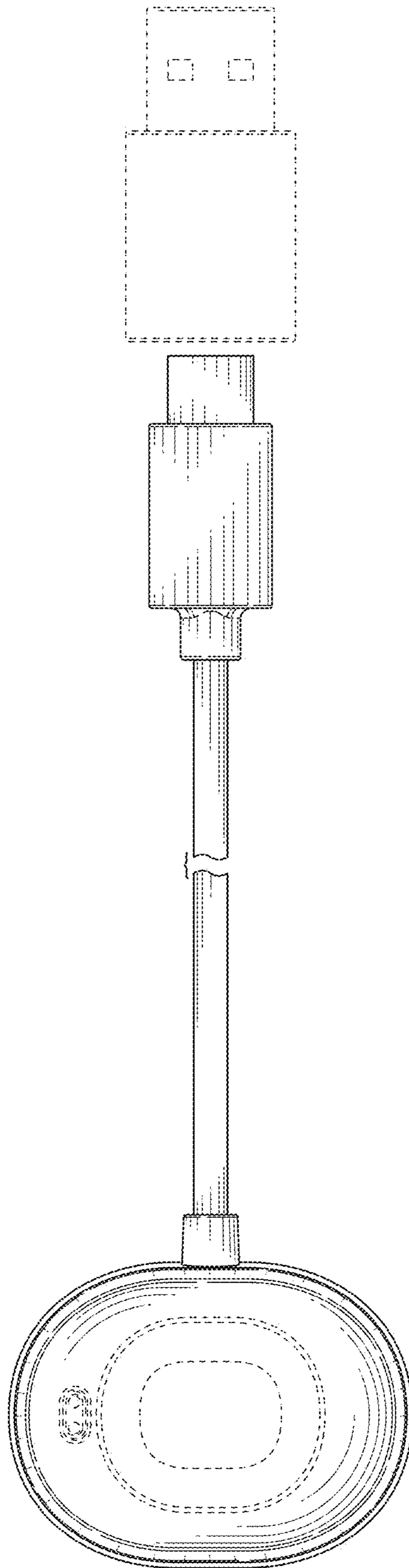


FIG. 11

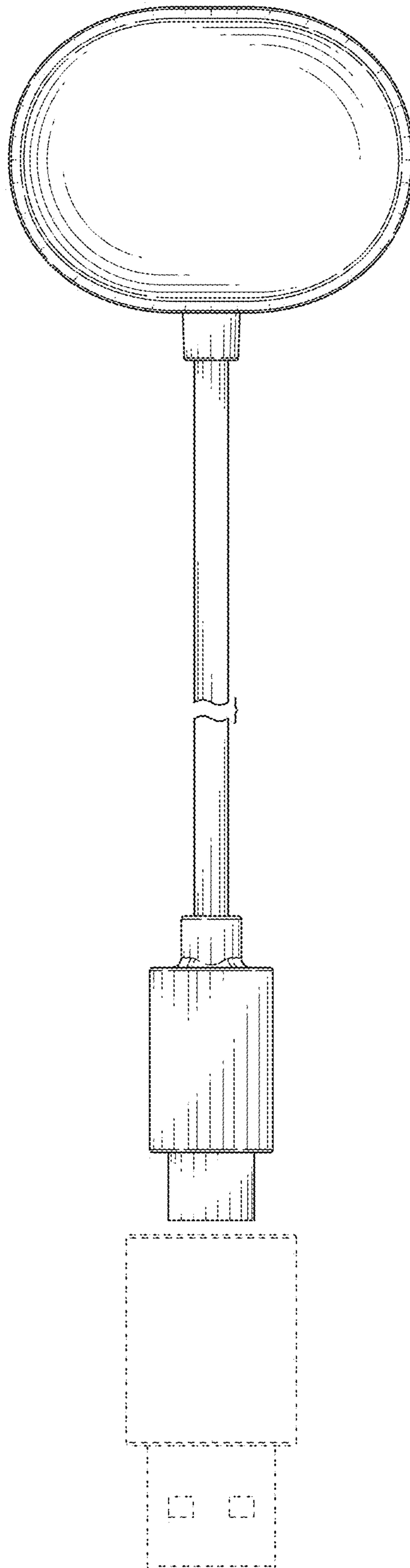


FIG. 12



FIG. 13

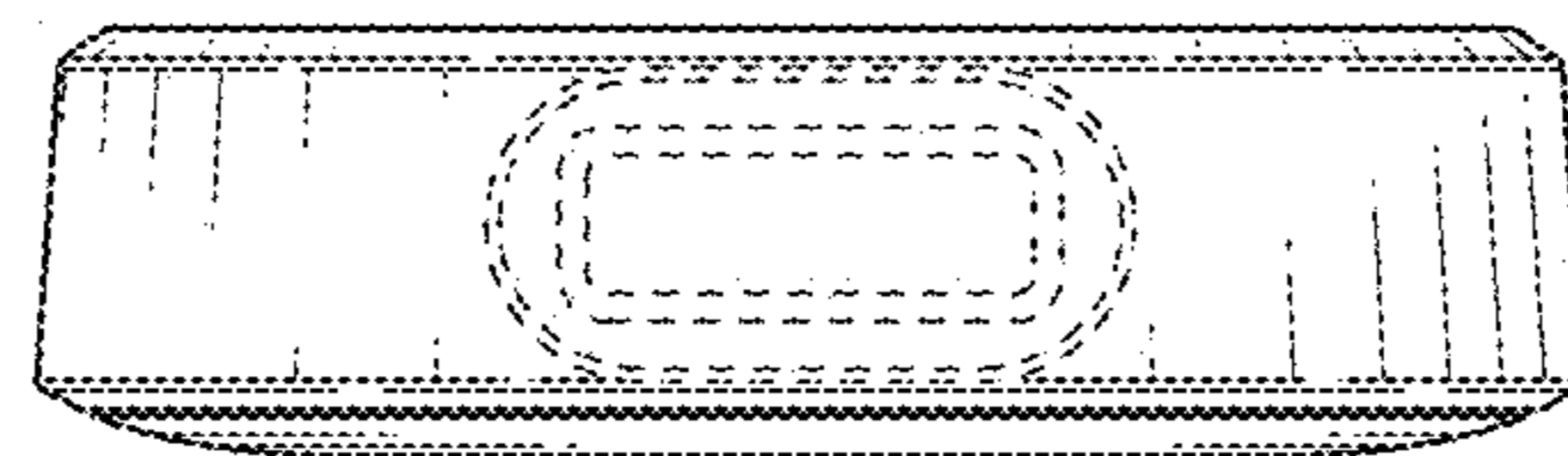


FIG. 14

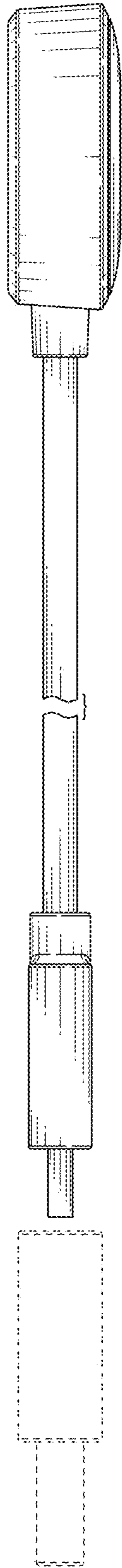


FIG. 15

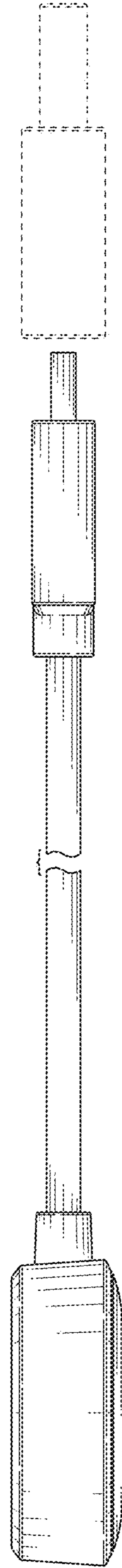


FIG. 16

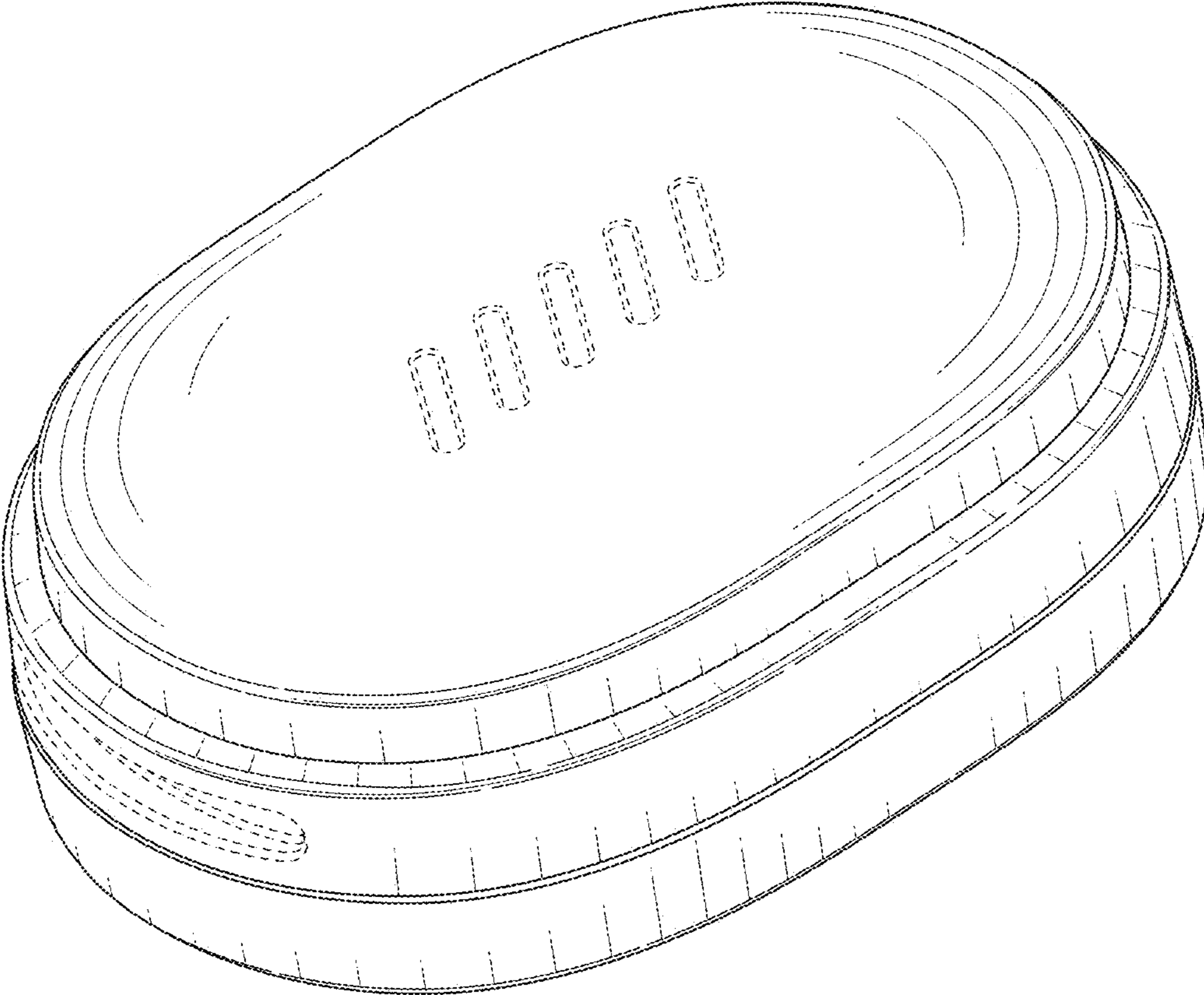


FIG. 17

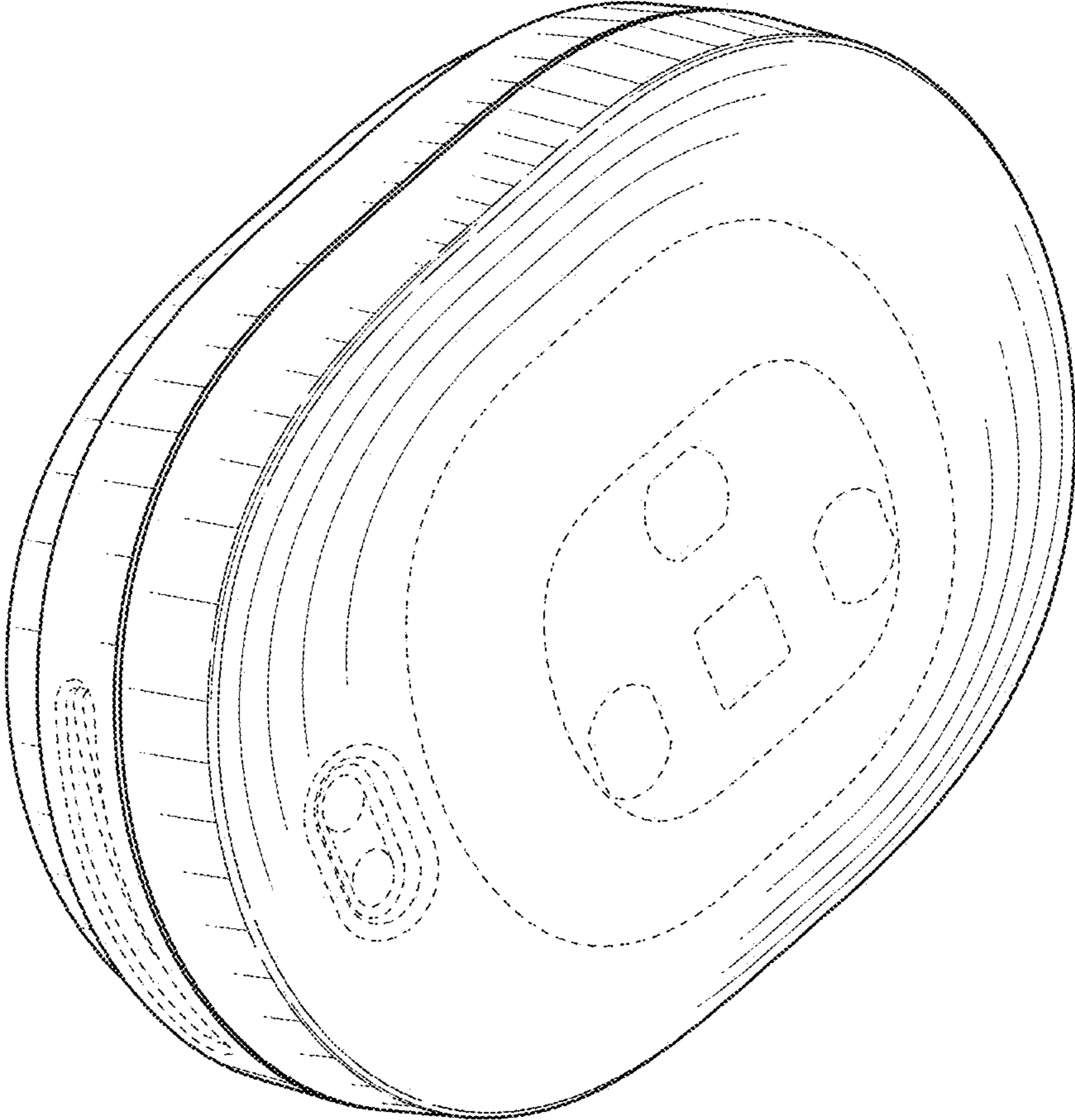


FIG. 18

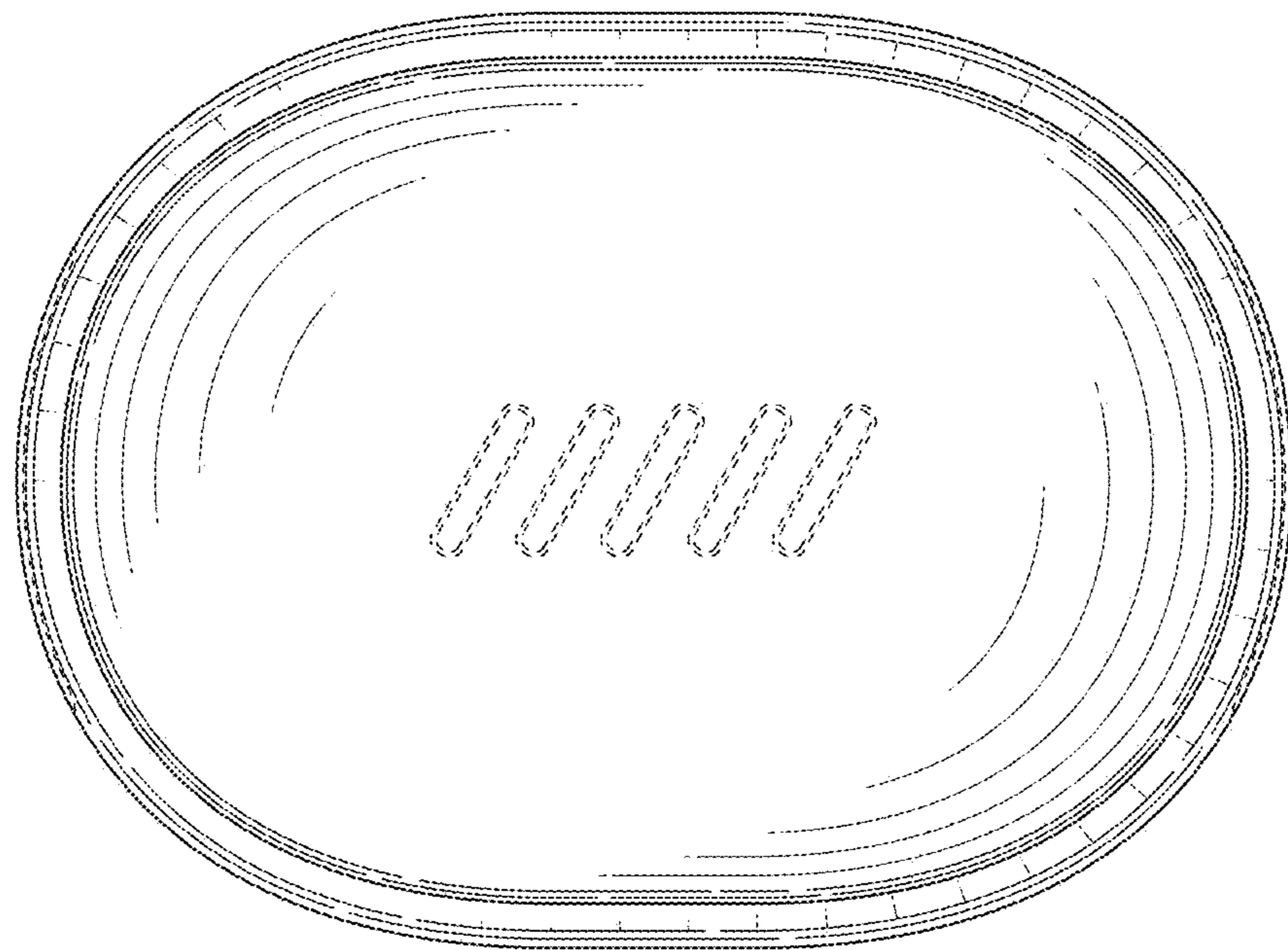


FIG. 19

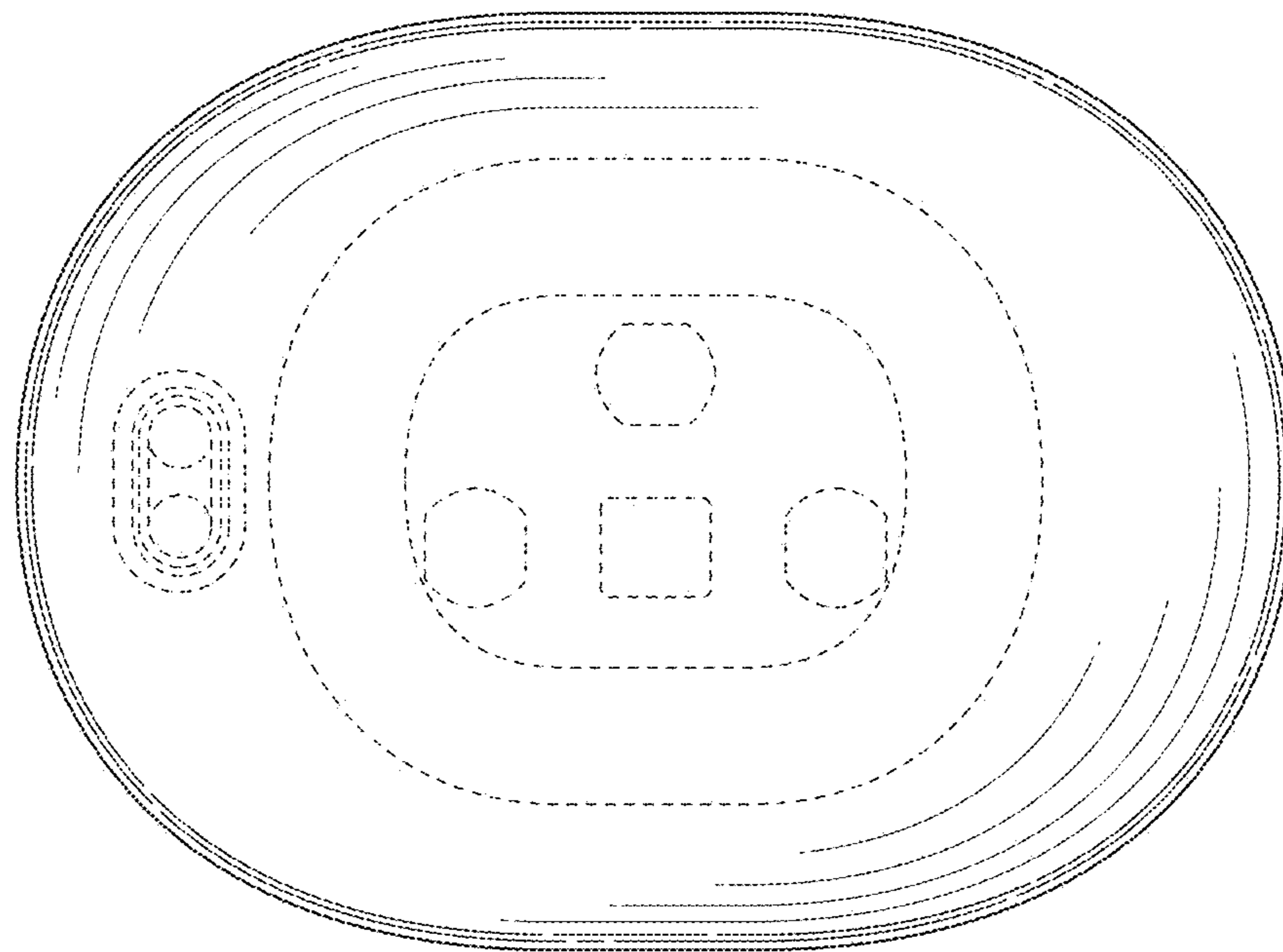


FIG. 20

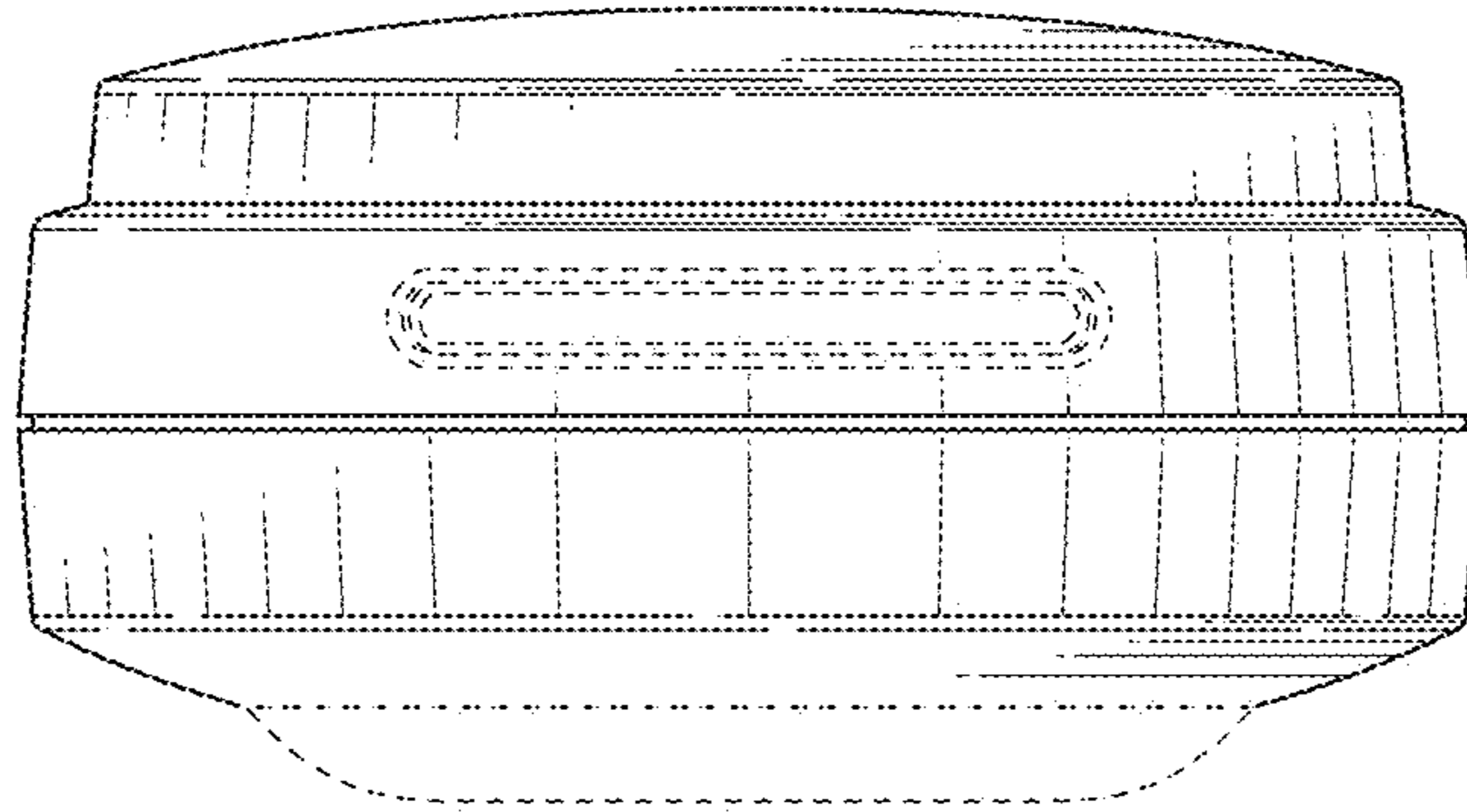


FIG. 21

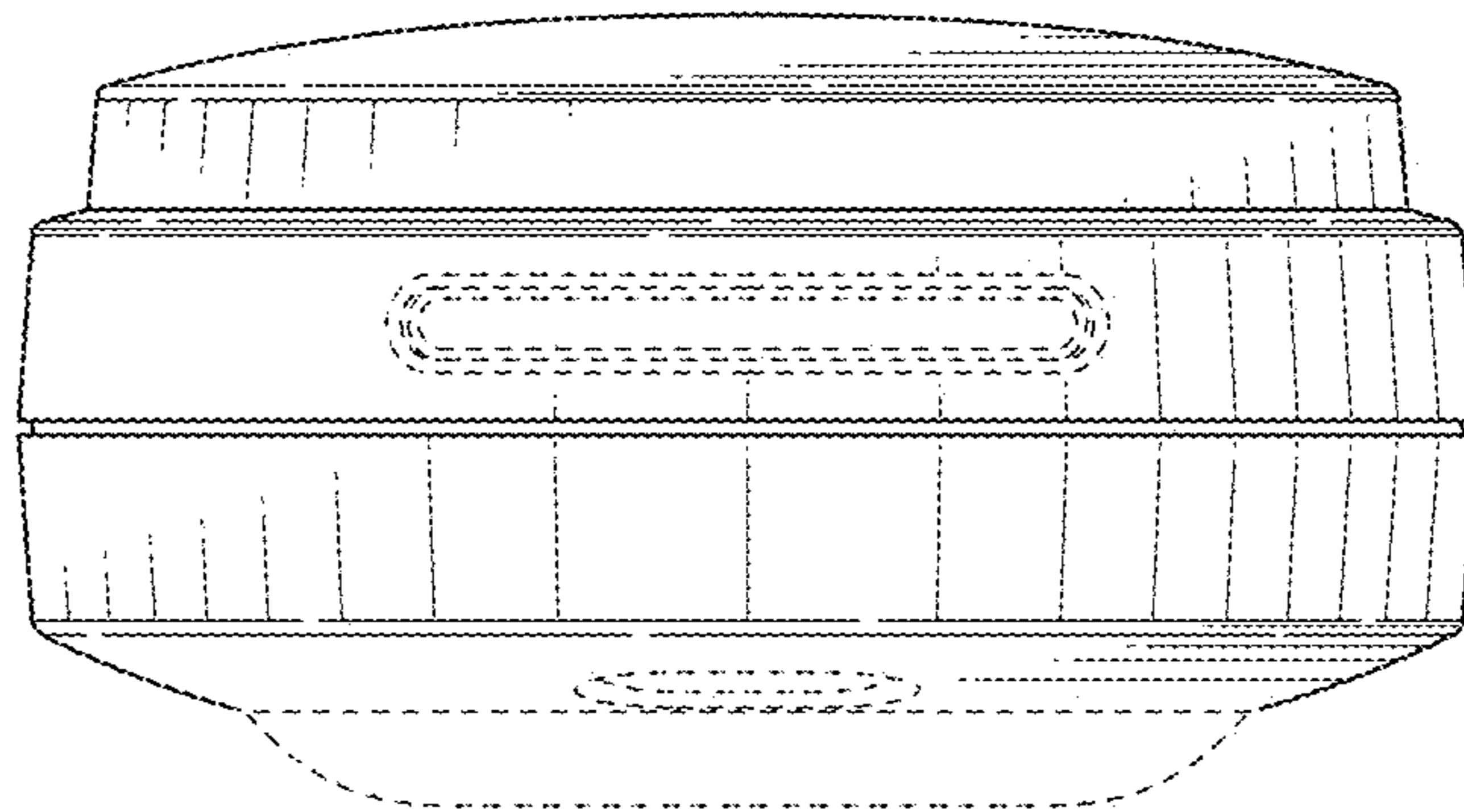


FIG. 22

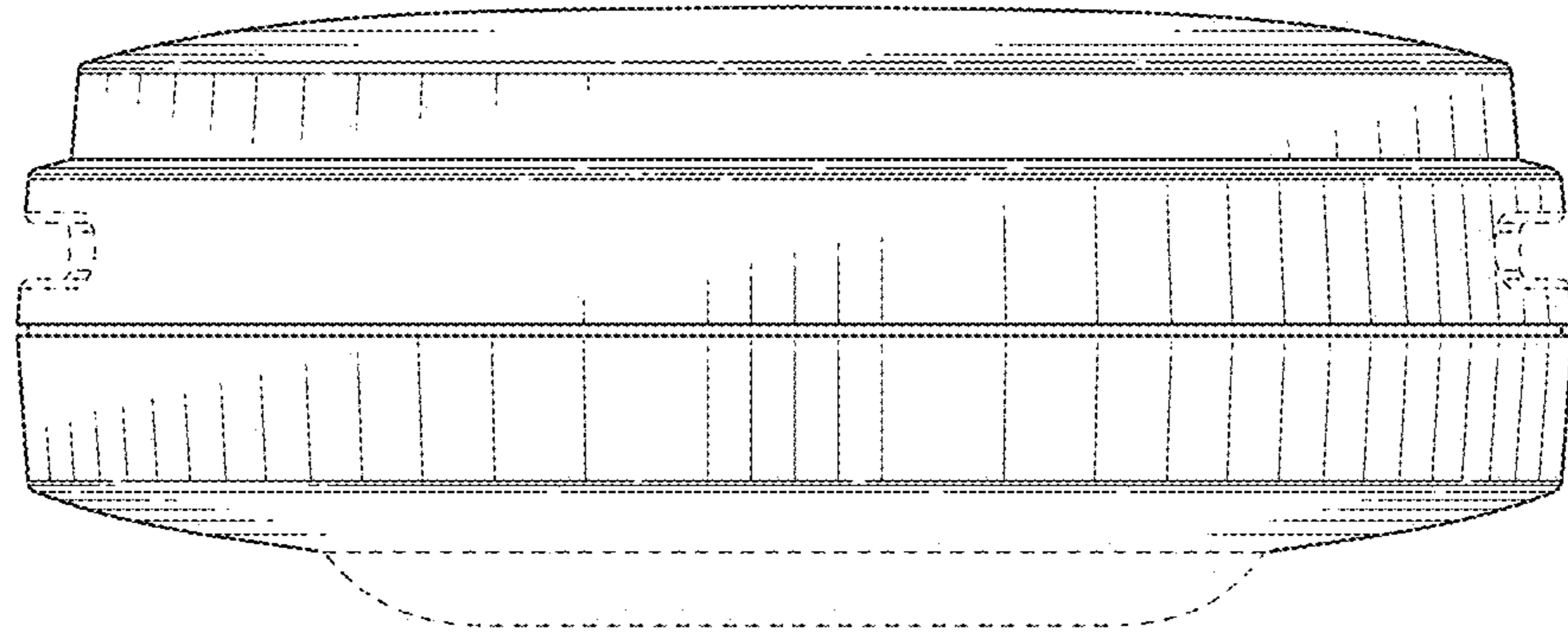


FIG. 23

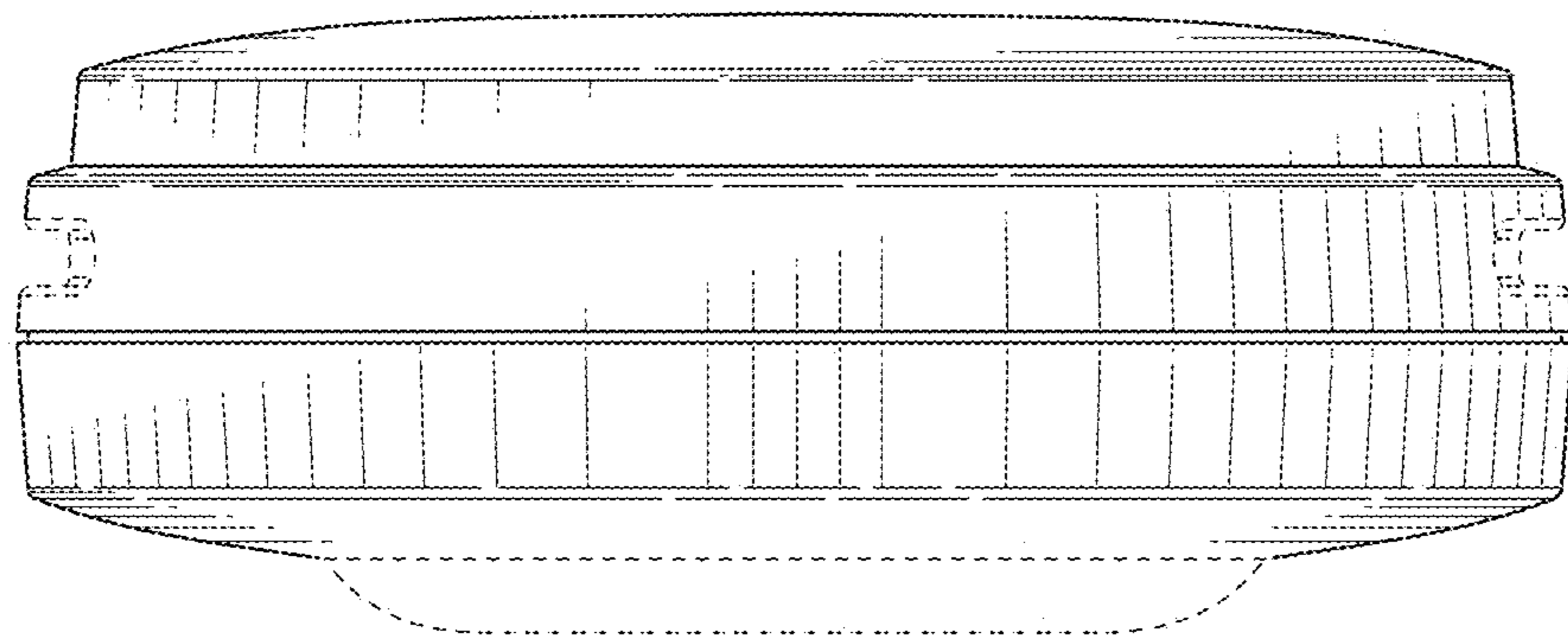


FIG. 24

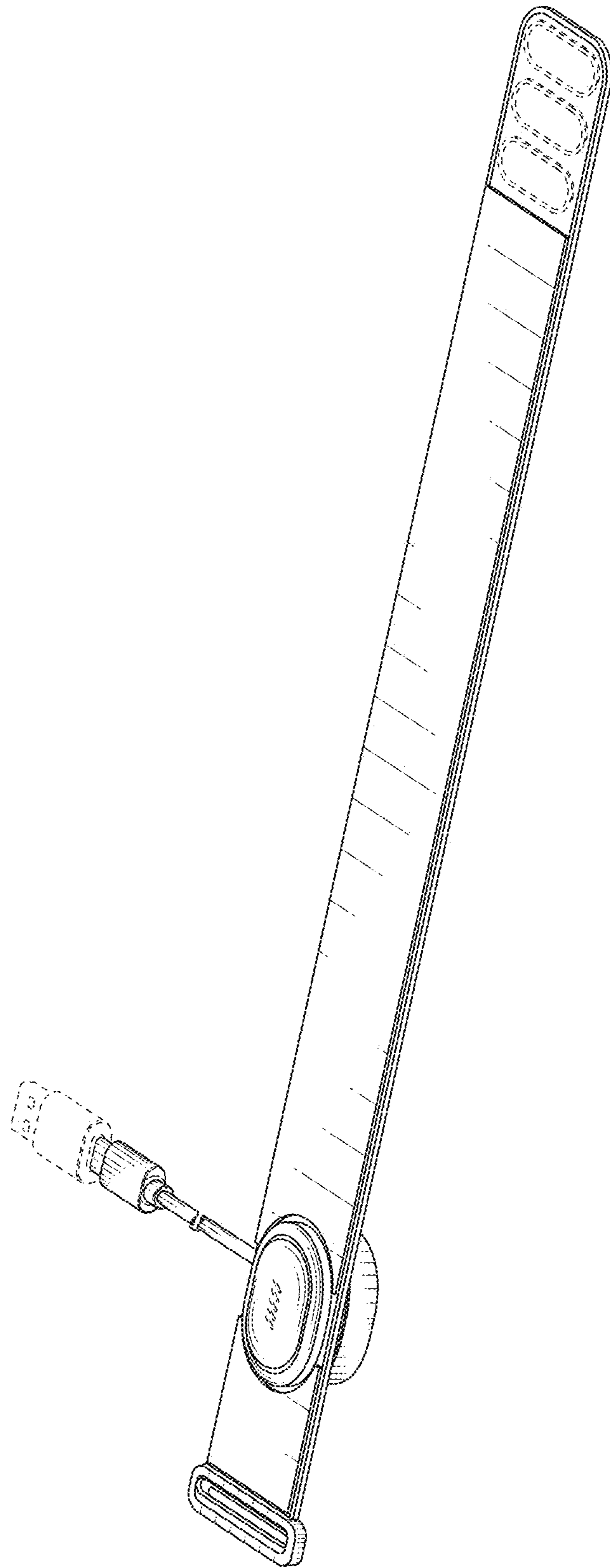


FIG. 25

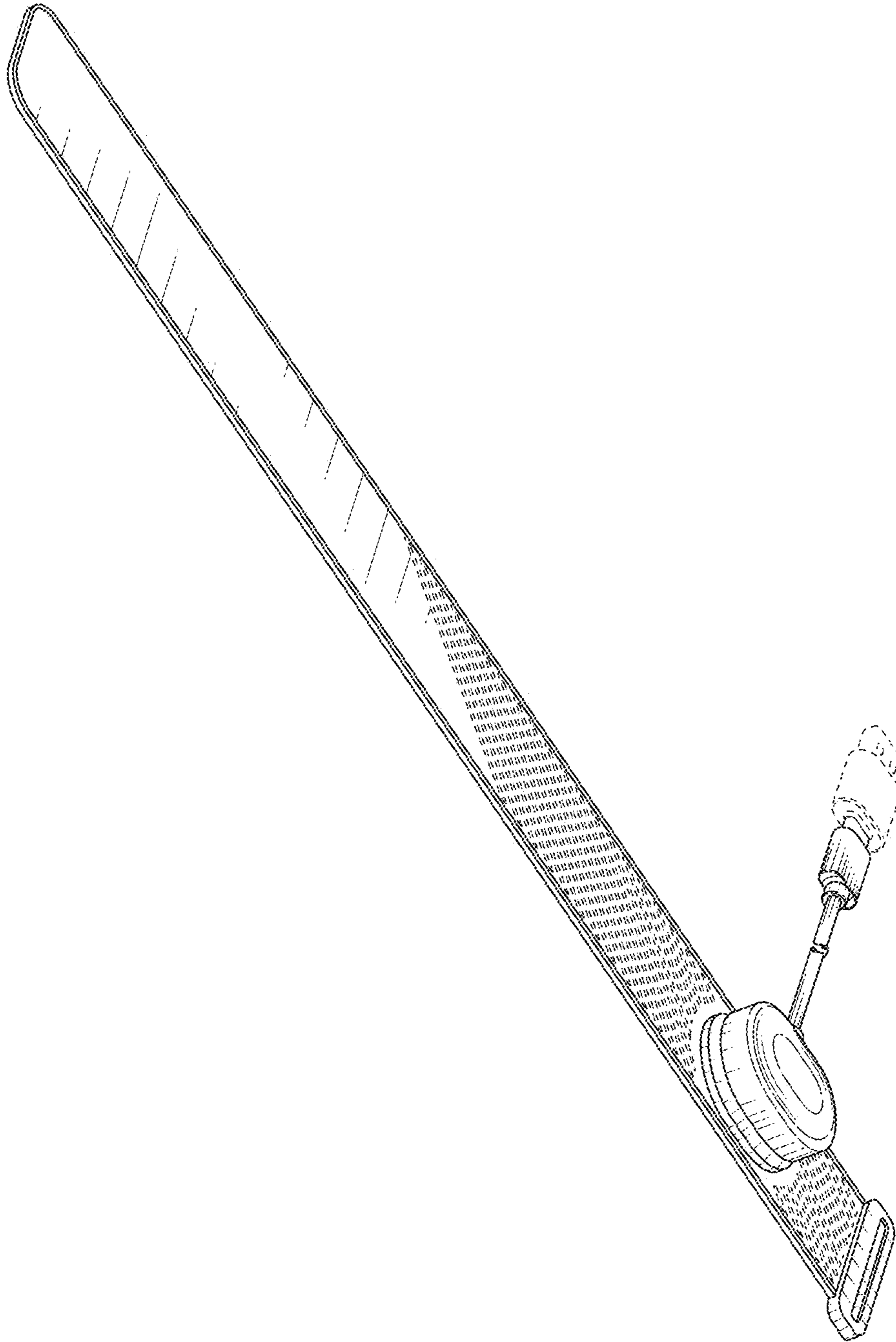


FIG. 26

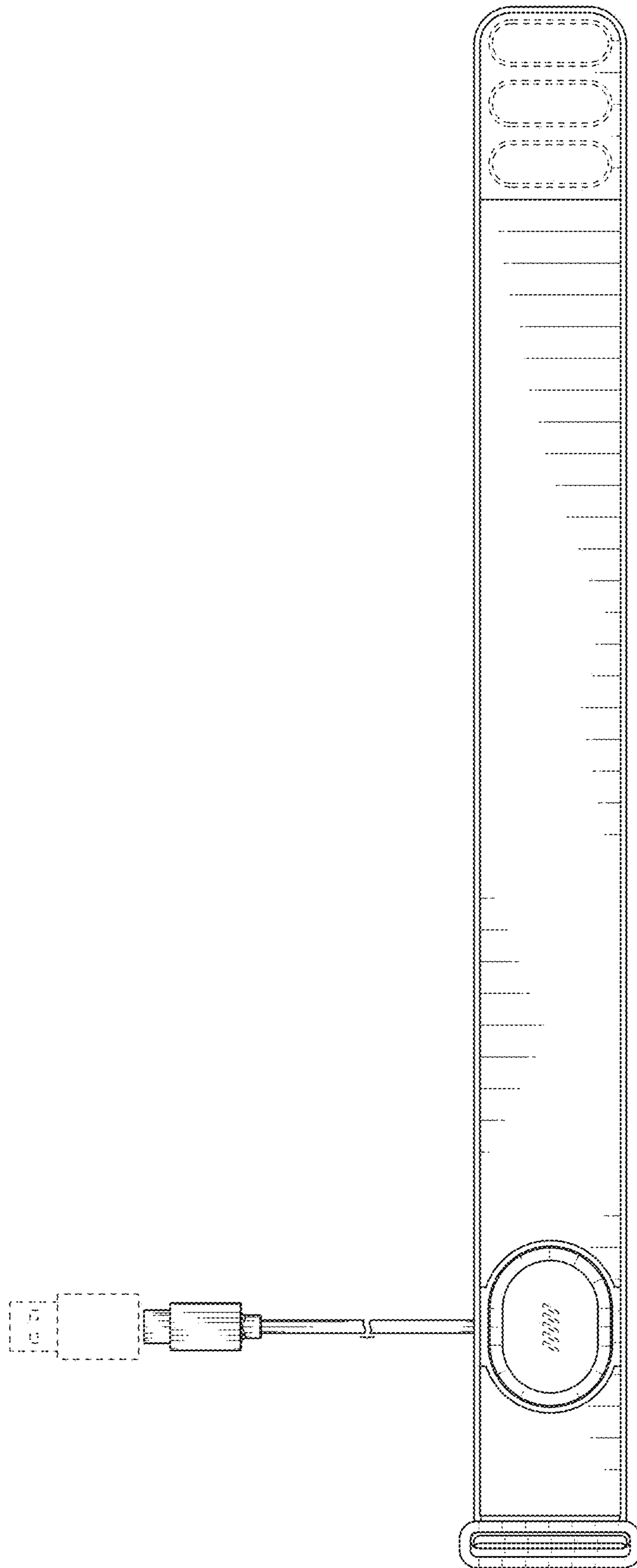


FIG. 27

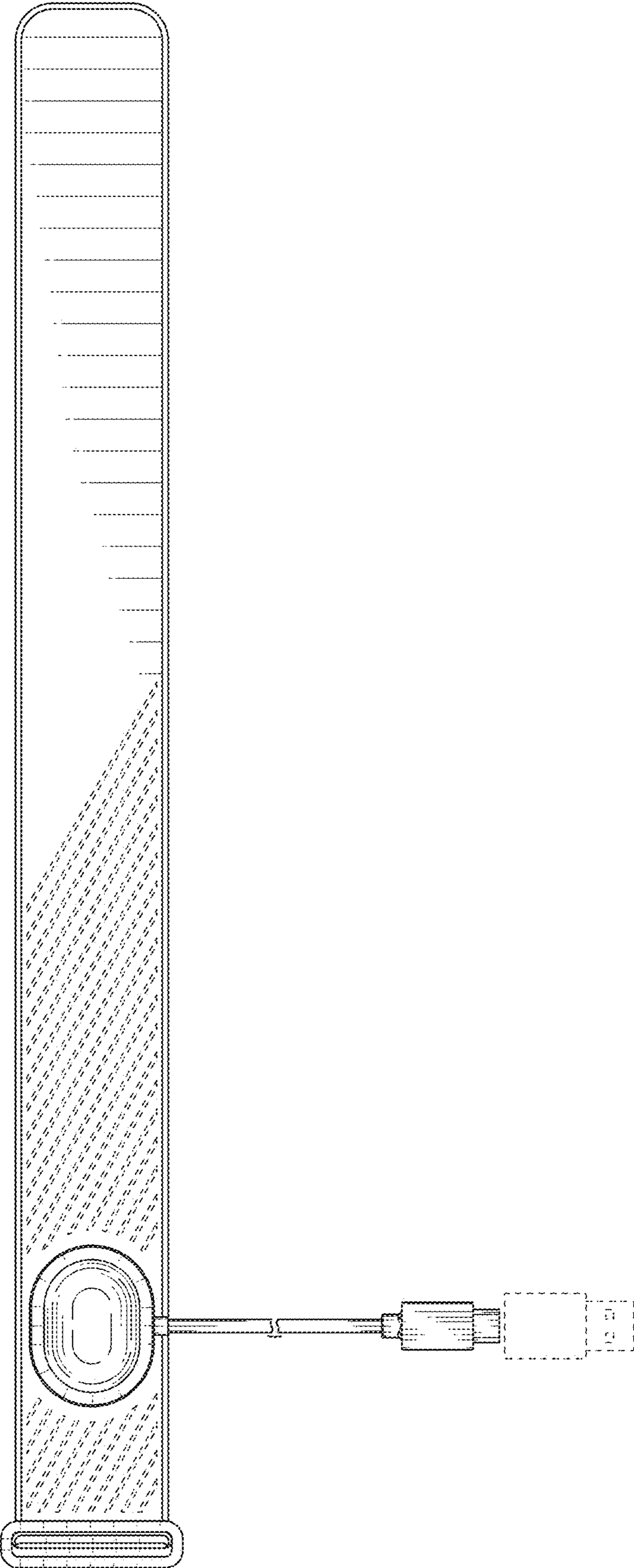


FIG. 28

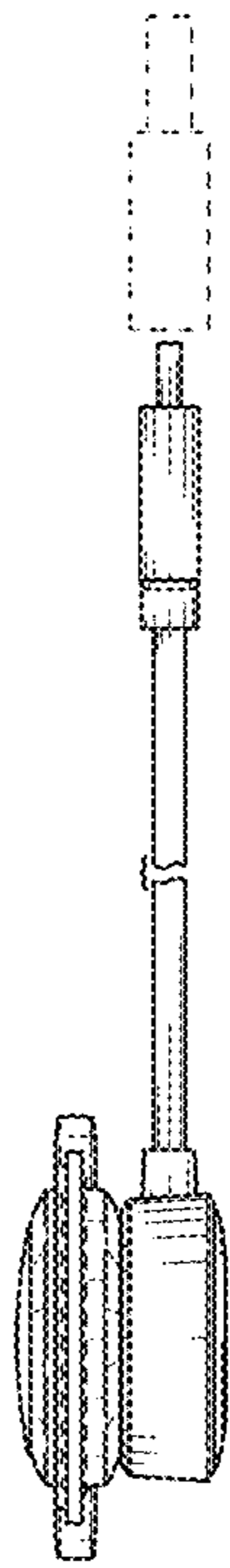


FIG. 29

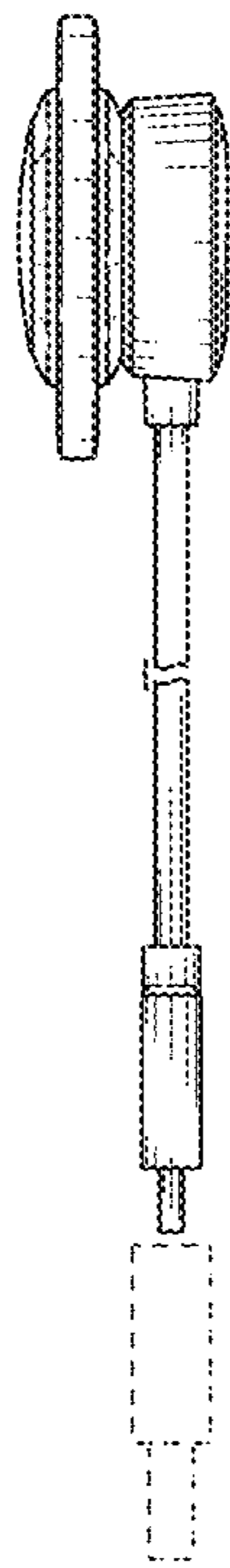


FIG. 30

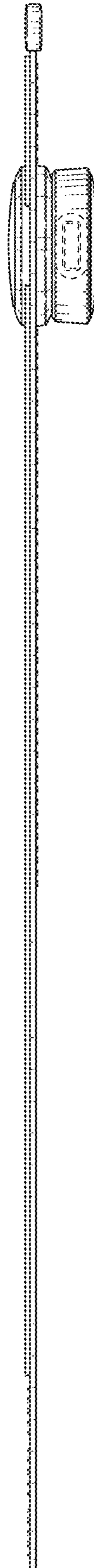


FIG. 31

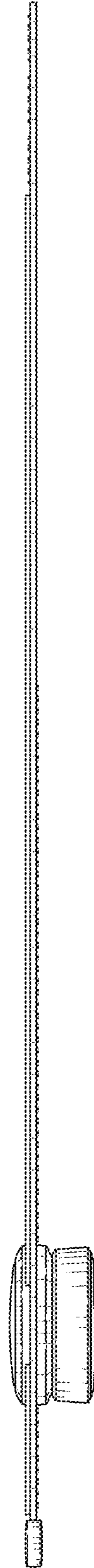


FIG. 32