



US00D982757S

(12) **United States Design Patent**
Zhu

(10) **Patent No.:** **US D982,757 S**
(45) **Date of Patent:** **** Apr. 4, 2023**

(54) **ELECTRONIC SPHYGMOMANOMETER**

(71) Applicant: **Shenzhen Urion Technology Co., Ltd.**,
Shenzhen (CN)

(72) Inventor: **Changming Zhu**, Shenzhen (CN)

(73) Assignee: **Shenzhen Urion Technology Co., Ltd.**,
Shenzhen (CN)

(**) Term: **15 Years**

(21) Appl. No.: **29/799,347**

(22) Filed: **Jul. 14, 2021**

(30) **Foreign Application Priority Data**

Jul. 2, 2021 (EM) 008600928-0002

(51) **LOC (14) Cl.** **24-02**

(52) **U.S. Cl.**
USPC **D24/165**

(58) **Field of Classification Search**
USPC D24/107, 164–169, 185–187; D10/98;
D14/344

CPC A61B 5/0404; A61B 5/021; A61B 5/024;
A61B 5/02438; A61B 5/681; A61B
5/0402; A61B 2560/0462
See application file for complete search history.

(56) **References Cited**

U.S. PATENT DOCUMENTS

D583,474 S * 12/2008 Mitsunami D24/165
D722,165 S * 2/2015 Pukall D24/165

D739,938 S * 9/2015 Schempp D24/165
D743,035 S * 11/2015 Uozumi D24/165
D802,768 S * 11/2017 Rider D24/165
D850,622 S * 6/2019 Noguchi D24/165
D862,702 S * 10/2019 Nishiyama D24/165
D922,581 S * 6/2021 Wang D24/165
D942,628 S * 2/2022 Dai D24/165
2015/0190064 A1 * 7/2015 Kinoshita A61B 5/024
600/490

* cited by examiner

Primary Examiner — Anhdao Doan

(57) **CLAIM**

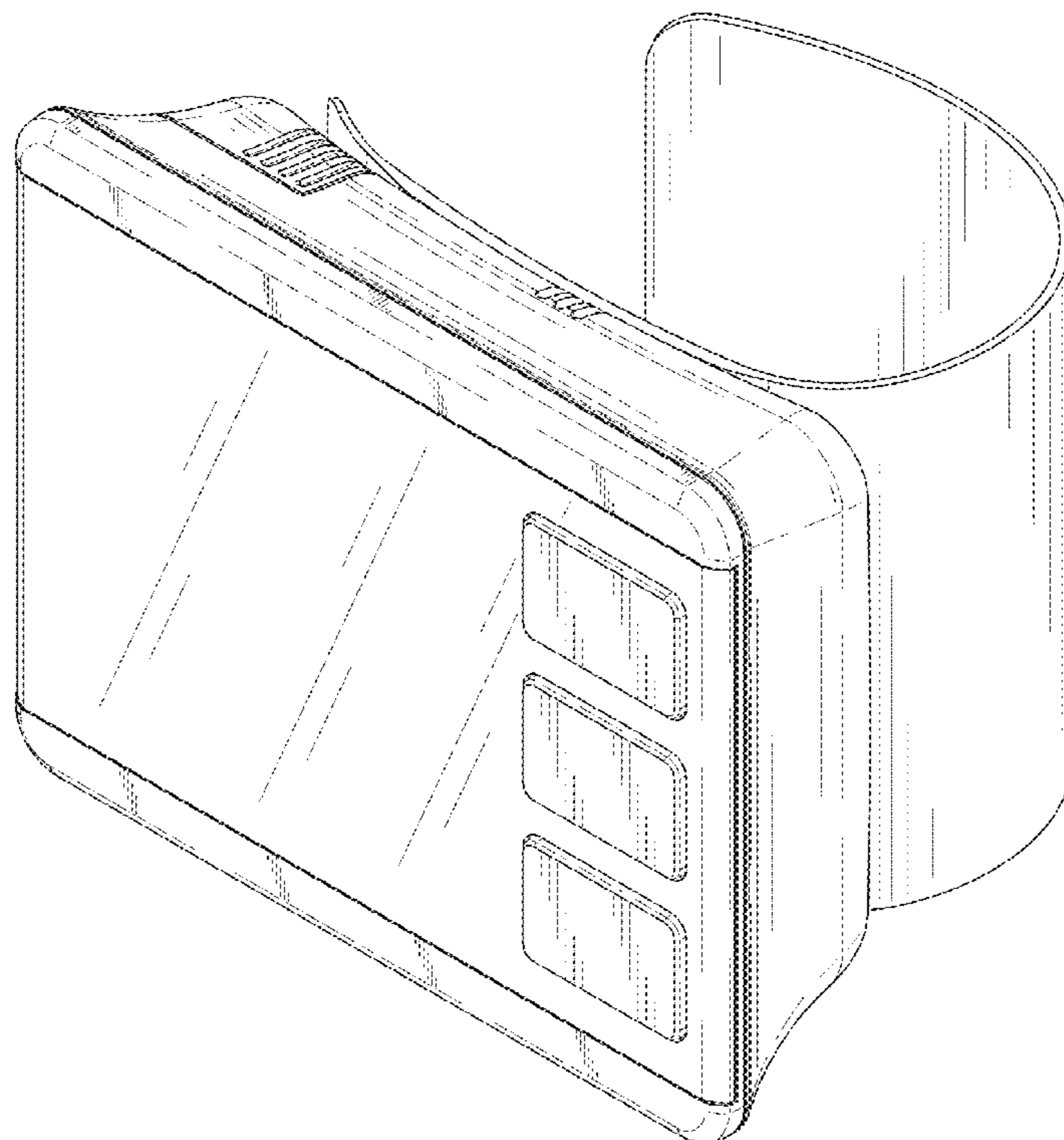
The ornamental design for an electronic sphygmomanometer, as shown and described.

DESCRIPTION

FIG. 1 is a front and top perspective view of an electronic sphygmomanometer, showing my new design; FIG. 2 is a rear and bottom perspective view thereof; FIG. 3 is a front elevation view thereof; FIG. 4 is a rear view thereof; FIG. 5 is a left side elevation view thereof; FIG. 6 is a right side elevation view thereof; FIG. 7 is a top plan view thereof; and, FIG. 8 is a bottom plan view thereof.

The broken lines depict portions of the electronic sphygmomanometer in which the design is embodied that form no part of the claimed design.

1 Claim, 8 Drawing Sheets



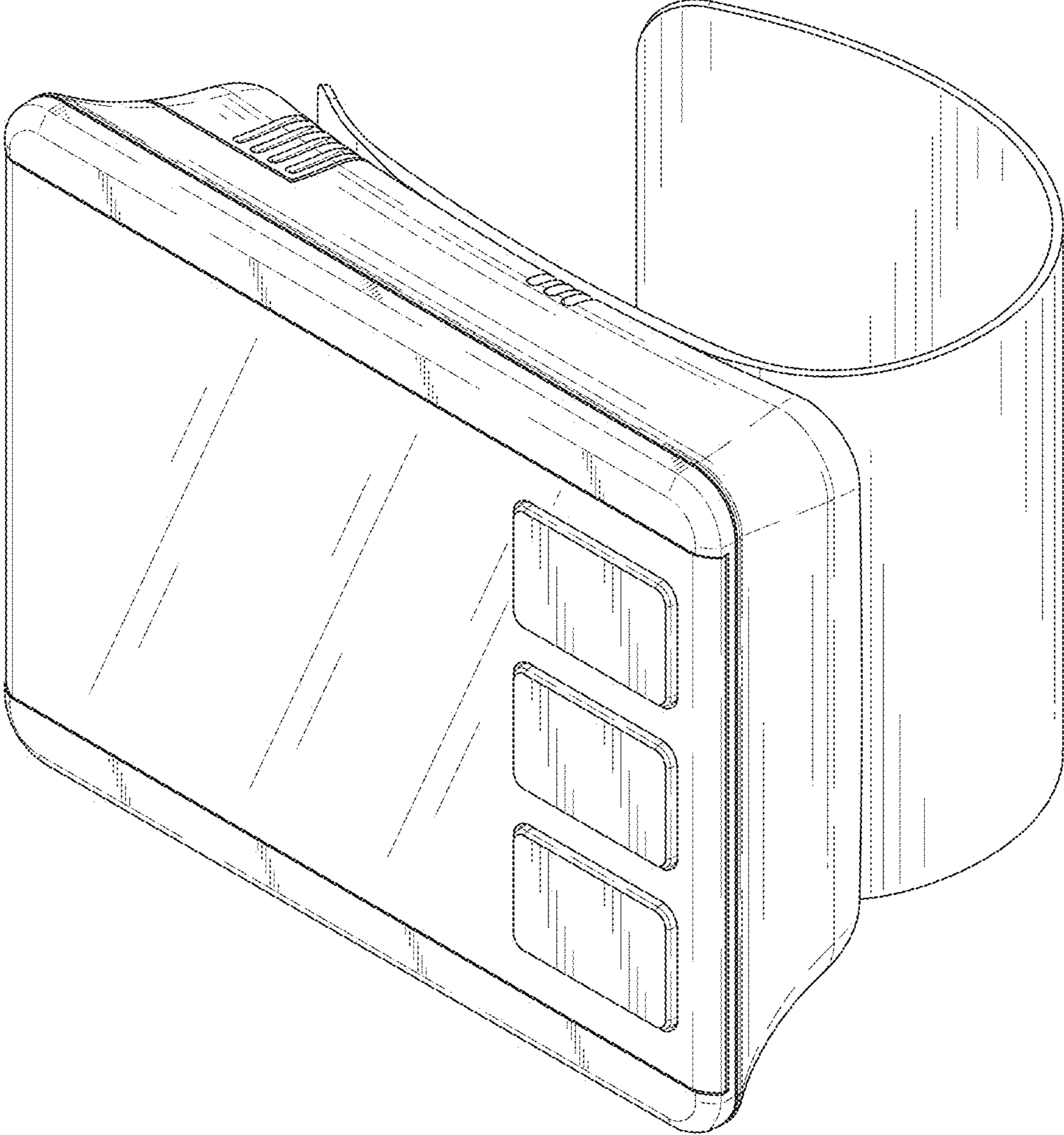


FIG. 1

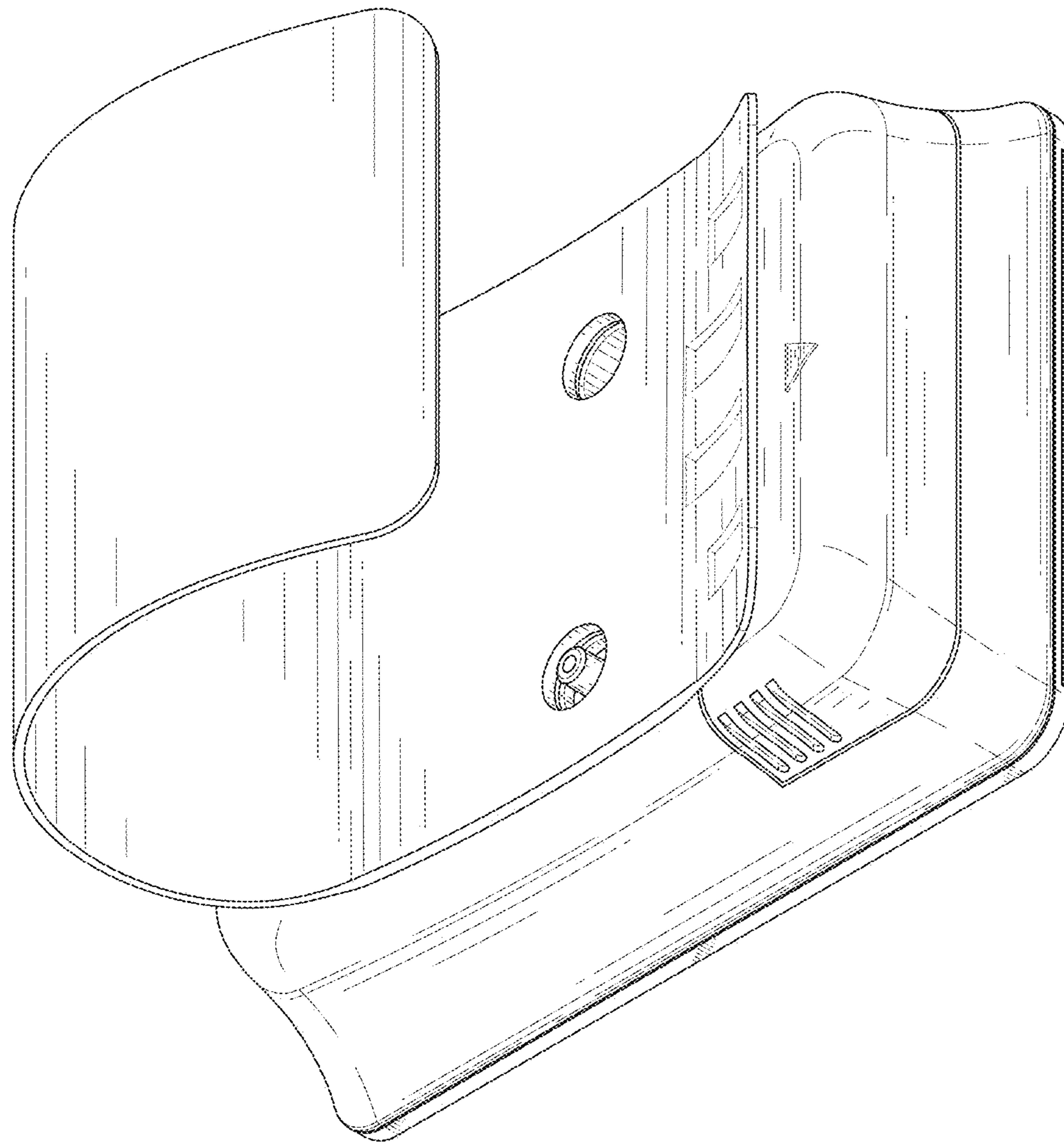


FIG. 2

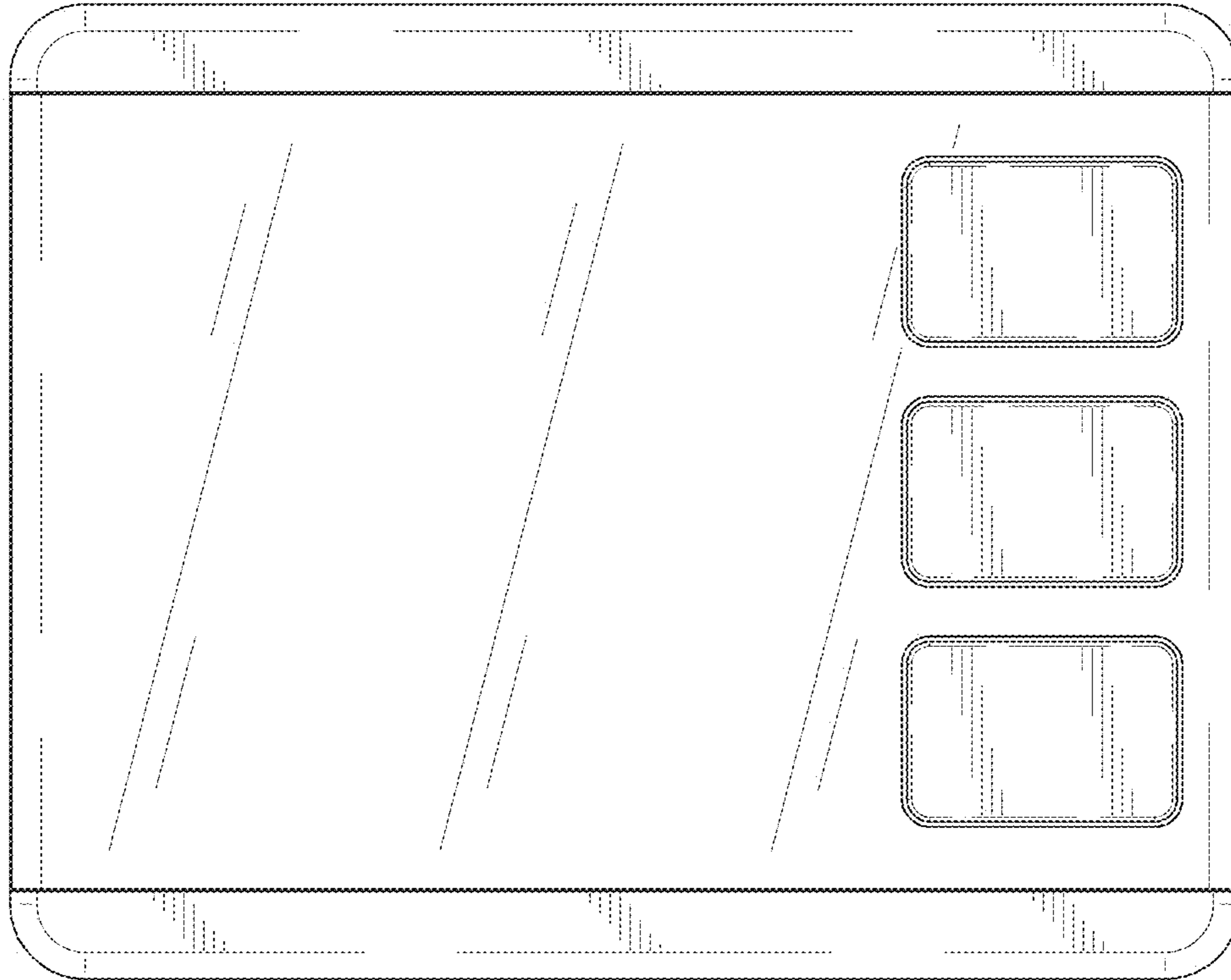


FIG. 3

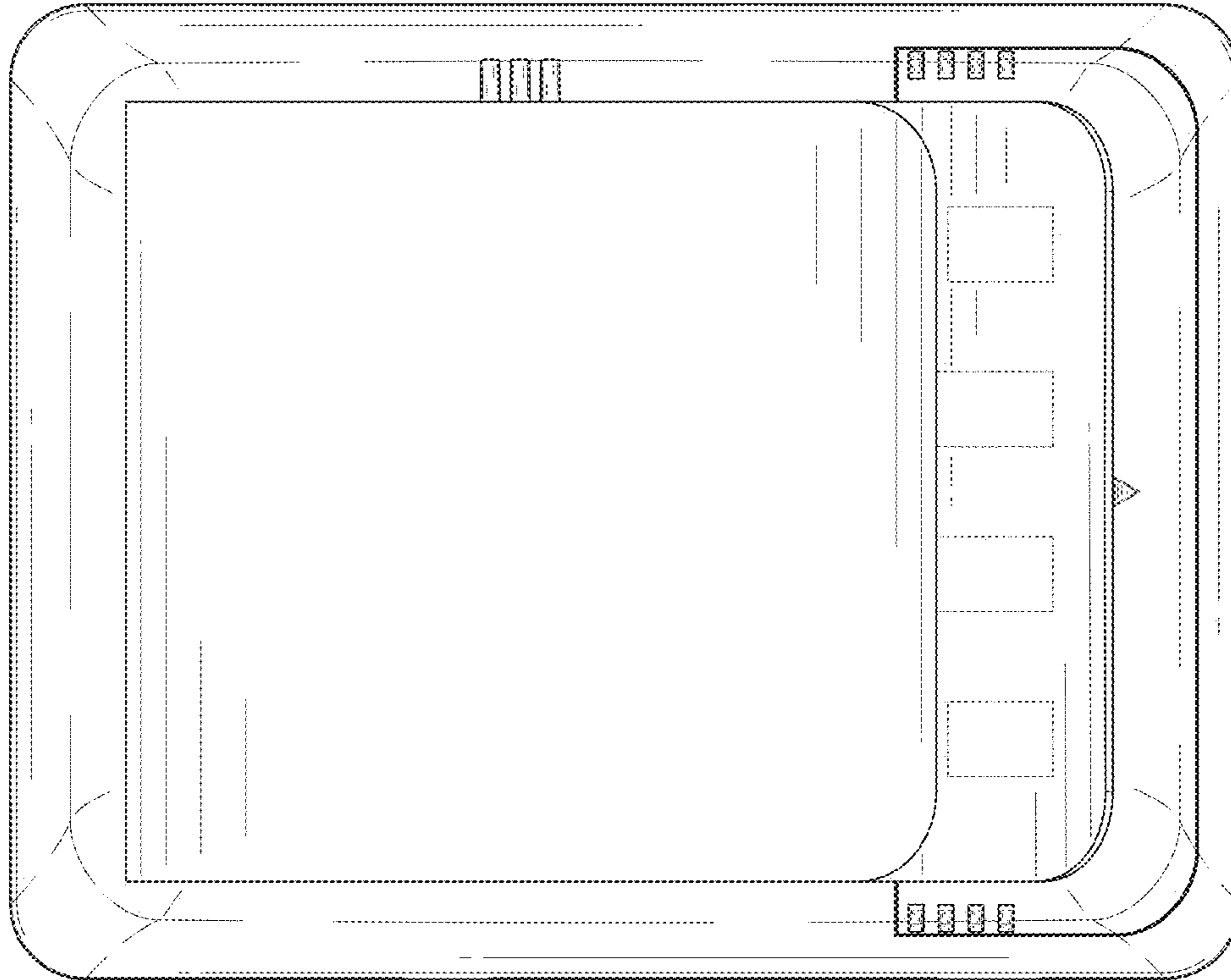


FIG. 4

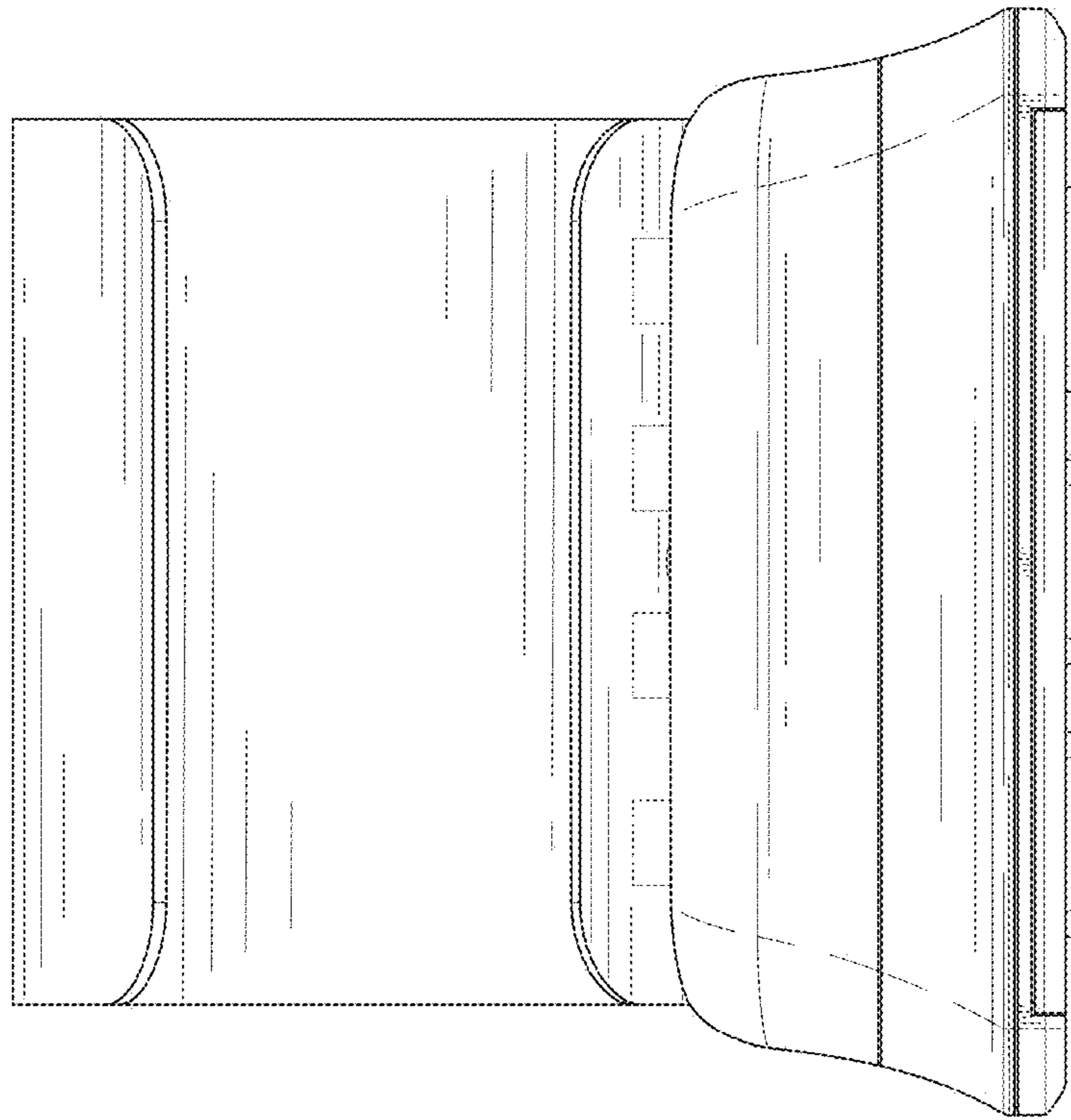


FIG. 5

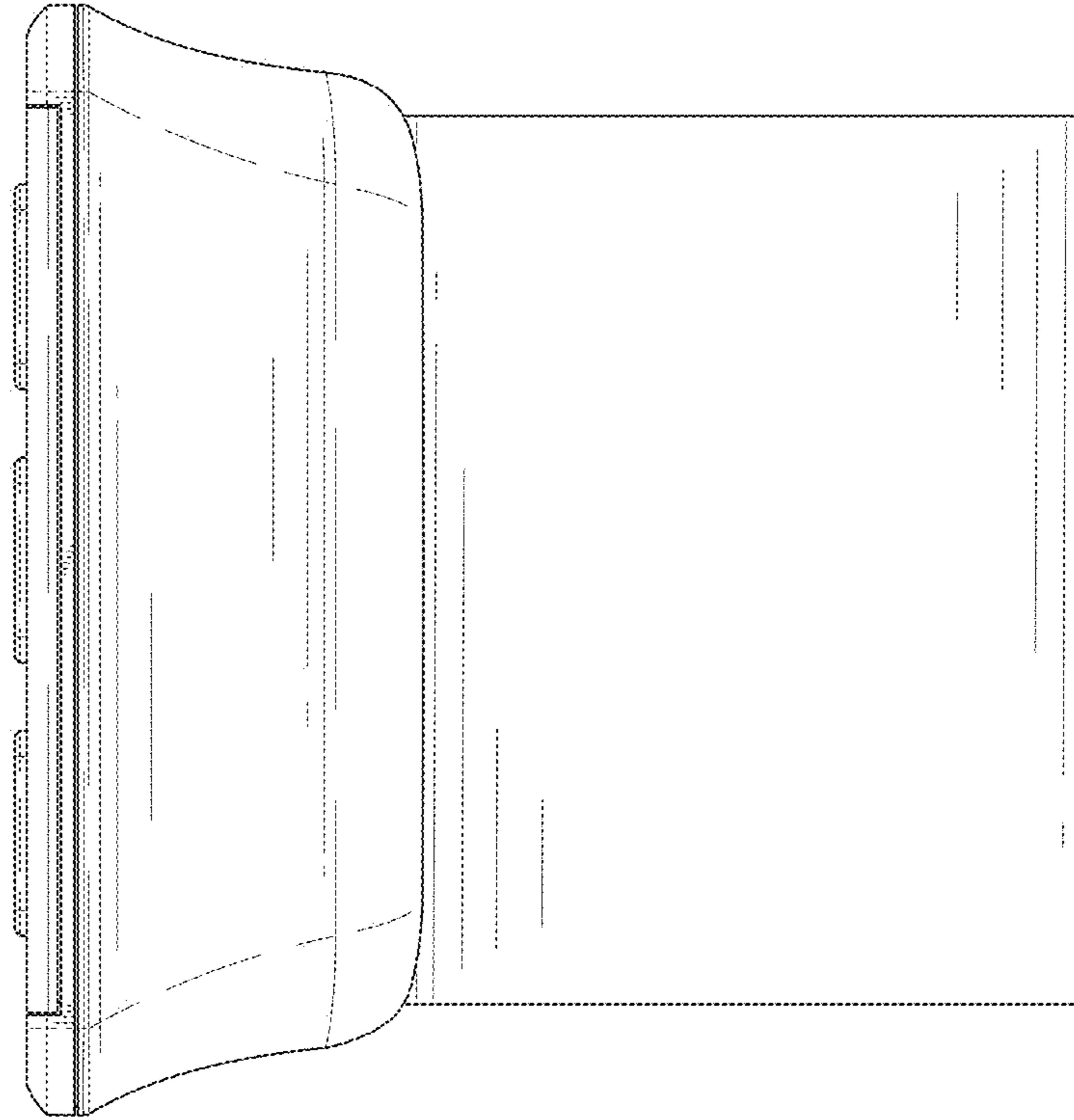


FIG. 6

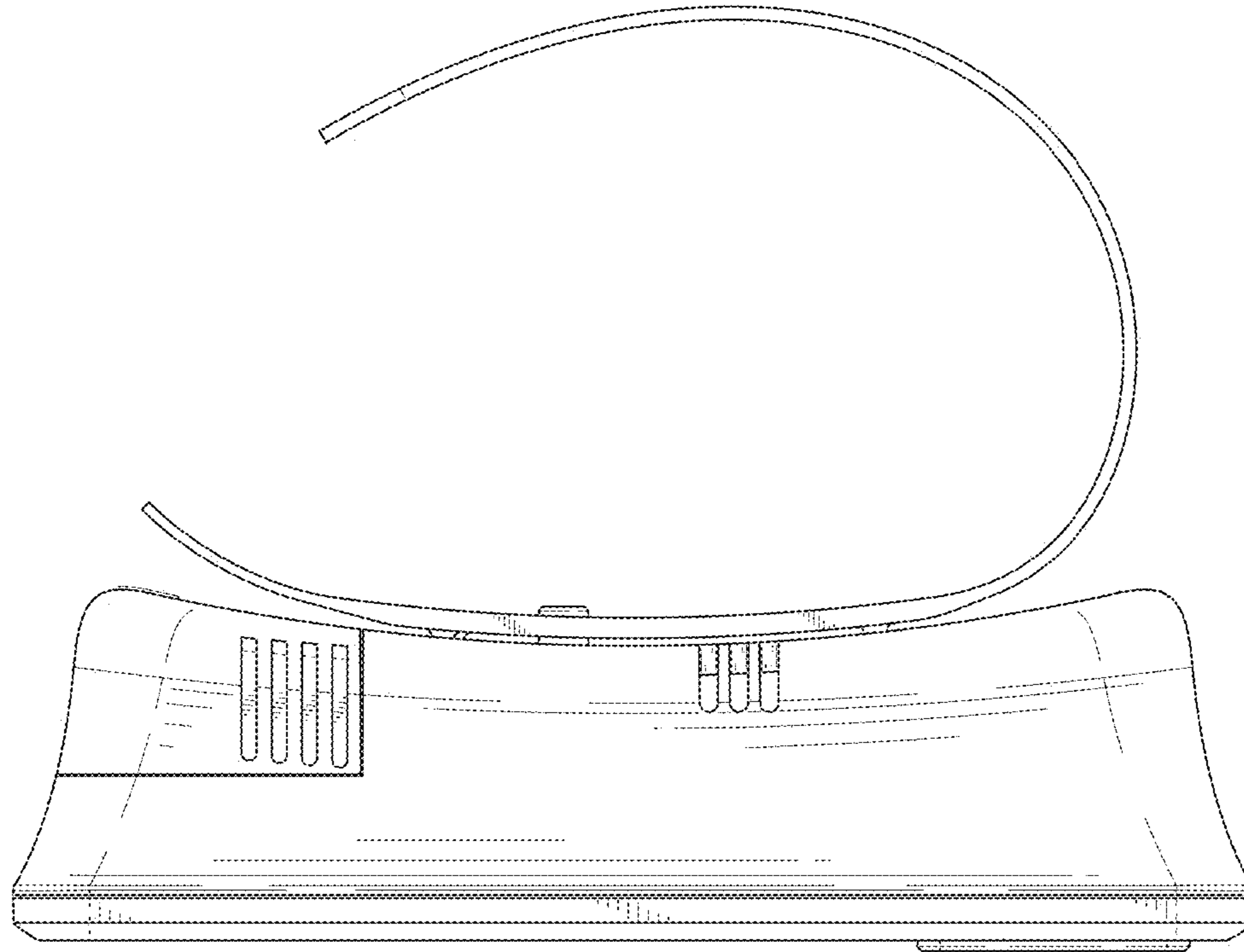


FIG. 7

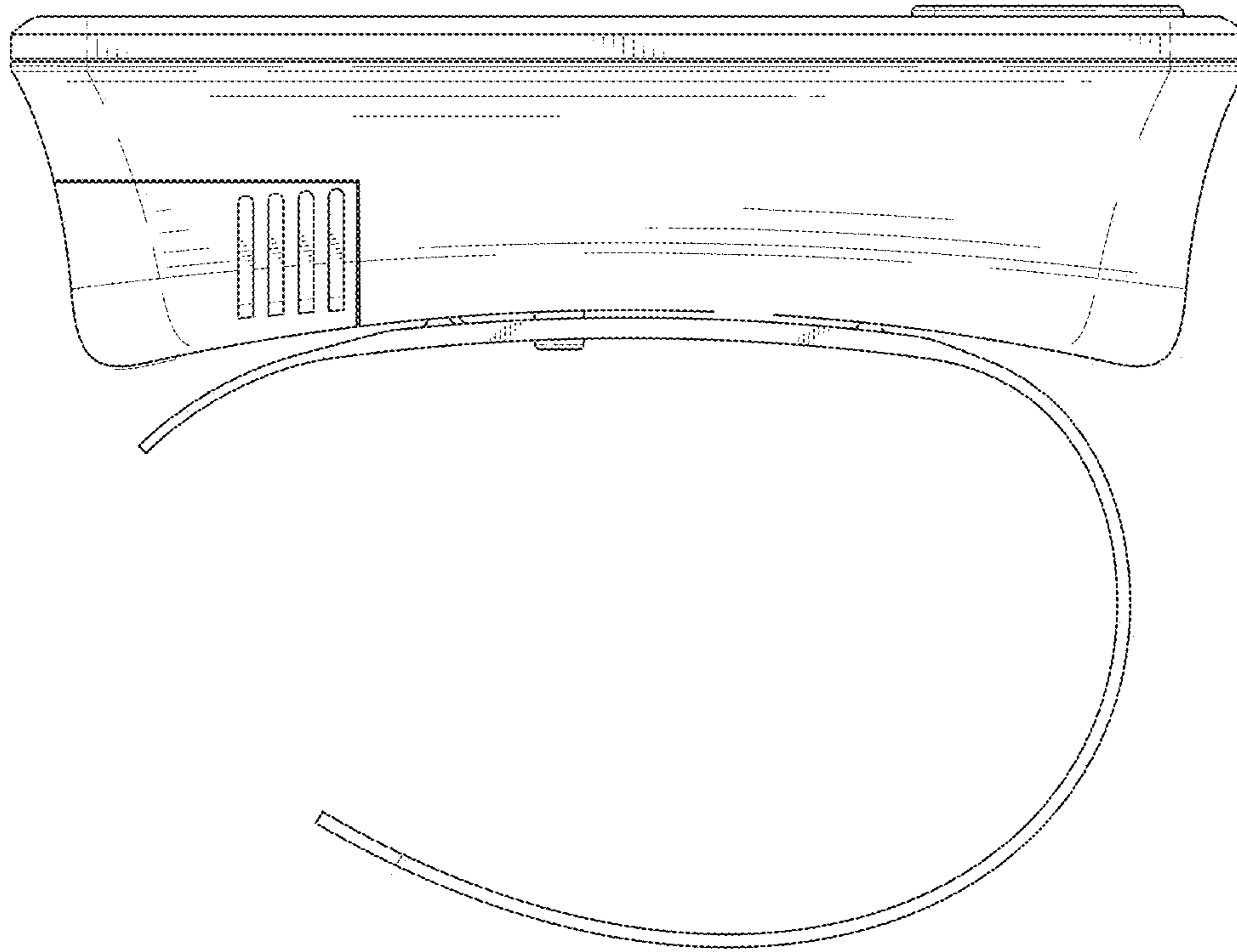


FIG. 8