



US00D982756S

(12) **United States Design Patent** (10) **Patent No.:** **US D982,756 S**
Wang (45) **Date of Patent:** **** Apr. 4, 2023**

(54) **ELECTRONIC SPHYGMOMANOMETER**

D889,660 S * 7/2020 Xia D24/165
D915,599 S * 4/2021 Luo D24/165
2005/0256411 A1* 11/2005 Yang A61B 5/681
600/490

(71) Applicant: **Shenzhen Jamr Technology Co., Ltd.**,
Shenzhen (CN)

(Continued)

(72) Inventor: **Liming Wang**, Shenzhen (CN)

FOREIGN PATENT DOCUMENTS

(73) Assignee: **Shenzhen Jamr Technology Co., Ltd.**,
Shenzhen (CN)

CN 302674224 * 12/2013
CN 305008757 * 1/2019
WO D094354-001 * 2/2017

(**) Term: **15 Years**

OTHER PUBLICATIONS

(21) Appl. No.: **29/780,659**

Entero Side Profile Blood Pressure Monitor, posted on amazon.in, Sep. 25, 2020, retrieved Oct. 5, 2022, online, URL: <https://www.amazon.in/Carent-W02-Automactic-Pressure-Montior/dp/B08K3N2WHK> (Year: 2020).*

(22) Filed: **Apr. 26, 2021**

(Continued)

(51) **LOC (14) Cl.** **24-02**

(52) **U.S. Cl.**

USPC **D24/165**

(58) **Field of Classification Search**

USPC D24/165-168, 107, 186-187; D14/344

CPC A61B 5/0404; A61B 5/021; A61B 5/024;

A61B 5/02438; A61B 5/681; A61B

5/0402; A61B 2560/0462

See application file for complete search history.

Primary Examiner — Mary Shannon Malley

Assistant Examiner — Michelle Marquart Christeon

(74) *Attorney, Agent, or Firm* — ScienBiziP, P.C.

(57)

CLAIM

The ornamental design for an electronic sphygmomanometer, as shown and described.

DESCRIPTION

(56) **References Cited**

U.S. PATENT DOCUMENTS

D558,879 S * 1/2008 Eda D24/165
D561,340 S * 2/2008 Kitamura D24/165
D569,518 S * 5/2008 Kitamura D24/165
D680,653 S * 4/2013 Fullerton D24/167
D690,815 S * 10/2013 Uozumi D24/165
D719,263 S * 12/2014 Shibata D24/165
D739,940 S * 9/2015 Uozumi D24/165
D744,656 S * 12/2015 Schempp D24/165
D811,597 S * 2/2018 Verbrugge D24/165
D849,950 S * 5/2019 Nishiyama D24/165
D871,585 S * 12/2019 Nishiyama D24/165
D884,902 S * 5/2020 Nishiyama D14/487

FIG. 1 is a front, right, and top perspective view of an electronic sphygmomanometer, showing my design.

FIG. 2 is a rear, left, and bottom perspective view thereof.

FIG. 3 is a front elevation view thereof.

FIG. 4 is a rear elevation view thereof.

FIG. 5 is a left side elevation view thereof.

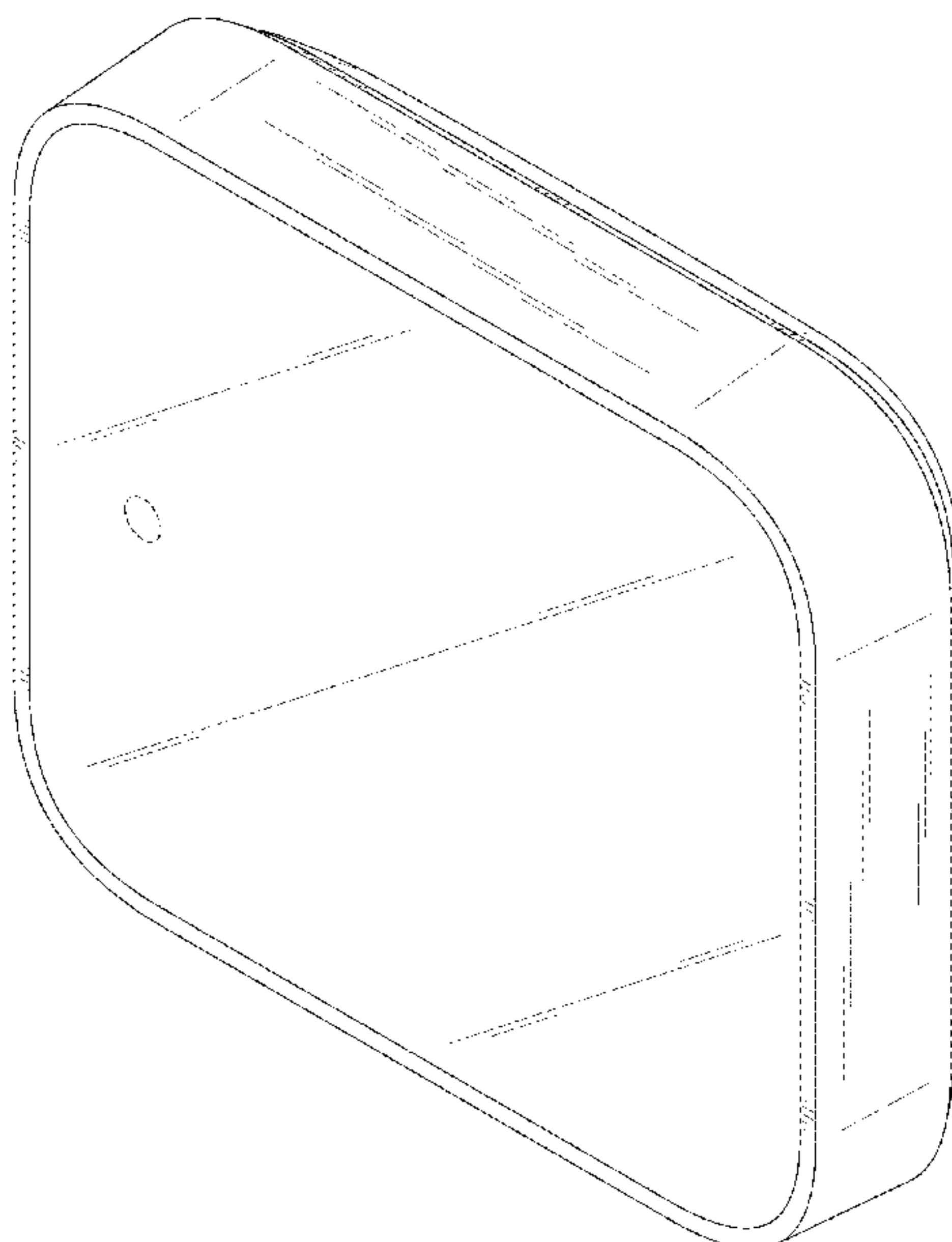
FIG. 6 is a right side elevation view thereof.

FIG. 7 is a top plan view thereof; and,

FIG. 8 is a bottom plan view thereof.

The broken lines shown in the drawings are included for the purpose of illustrating portions of the electronic sphygmomanometer that form no part of the claimed design.

1 Claim, 8 Drawing Sheets



(56)

References Cited

U.S. PATENT DOCUMENTS

2011/0245695 A1* 10/2011 Kawano A61B 5/02233
600/493
2013/0023777 A1* 1/2013 Tokko A61B 5/02116
600/494
2017/0347893 A1* 12/2017 Osoegawa A61B 5/02233
2022/0287575 A1* 9/2022 Kondo A61B 5/022

OTHER PUBLICATIONS

Ruord Flat LED Blood Pressure Monitor, posted on amazon.com, Nov. 26, 2021, retrieved Oct. 5, 2022, online, URL: <https://www.amazon.com/Adjustable-Automatic-Irregular-Heartbeat-Indicator/dp/B09MLZ7LF1> (Year: 2021).*

JAMR Arm Blood Pressure Monitor Online Product Catalogue, posted at jamrmed.com, no posting date, retrieved Sep. 20, 2022, online, URL:<http://www.jamrmed.com/col.jsp?id=124> (Year: 2022).*

* cited by examiner

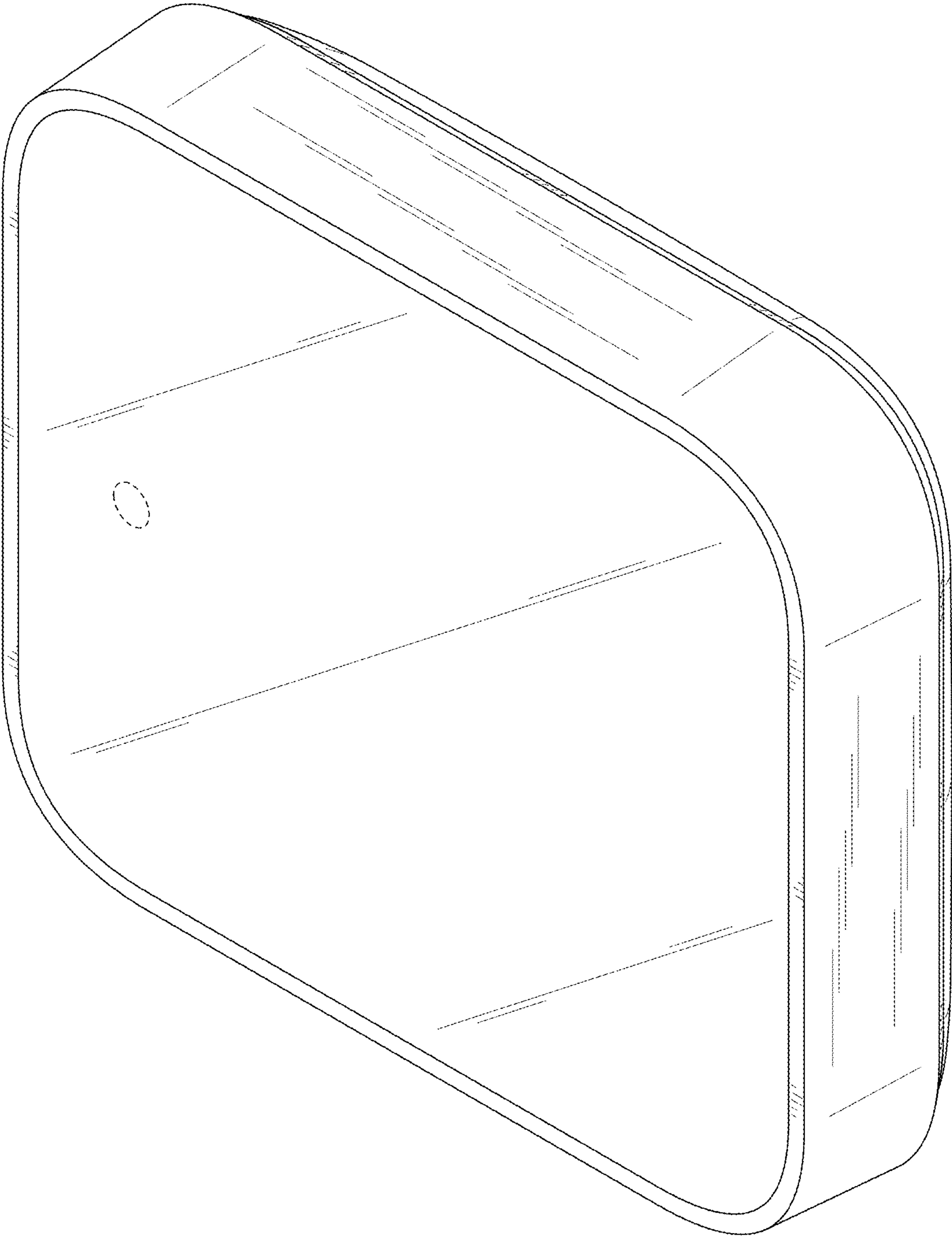


FIG. 1

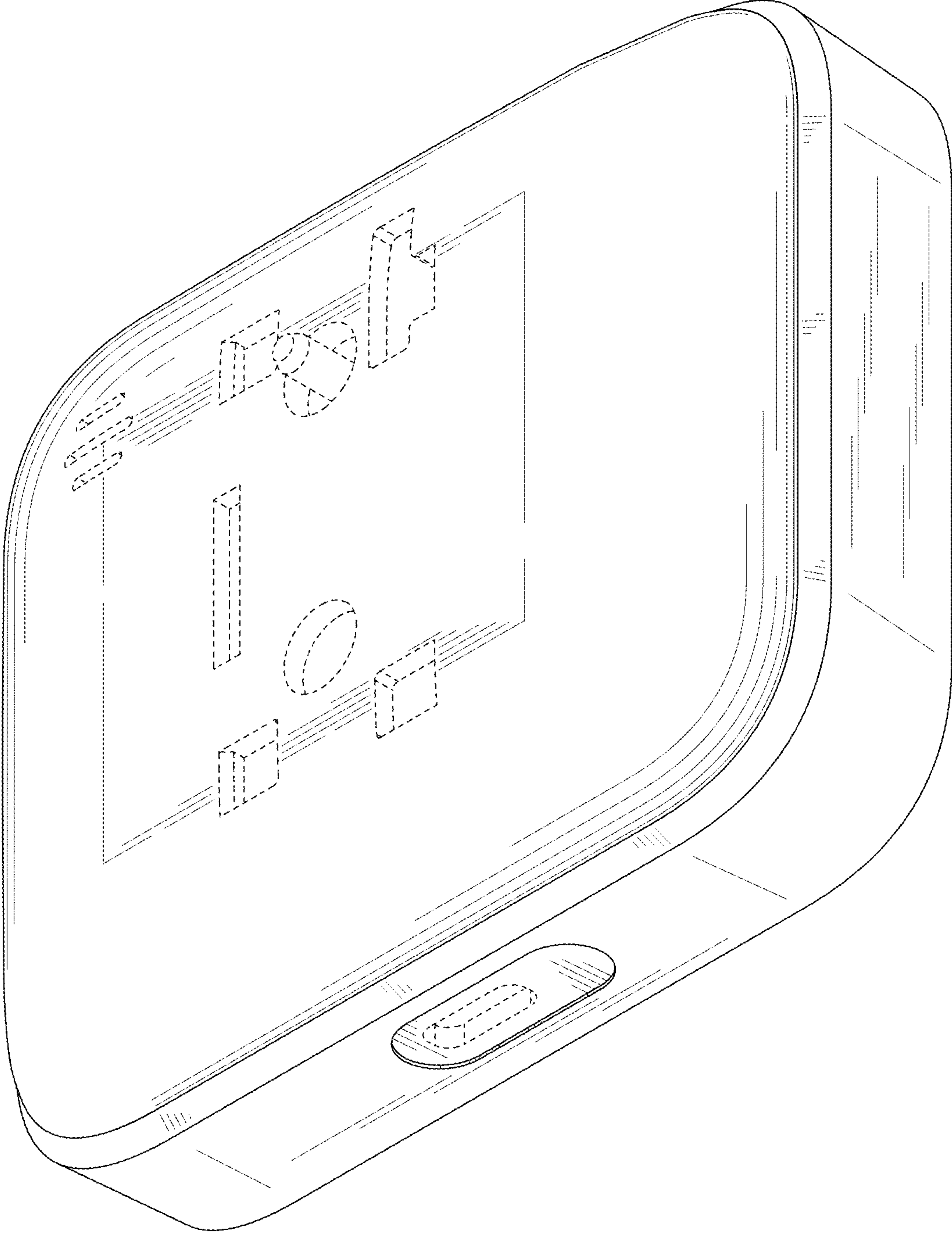


FIG. 2

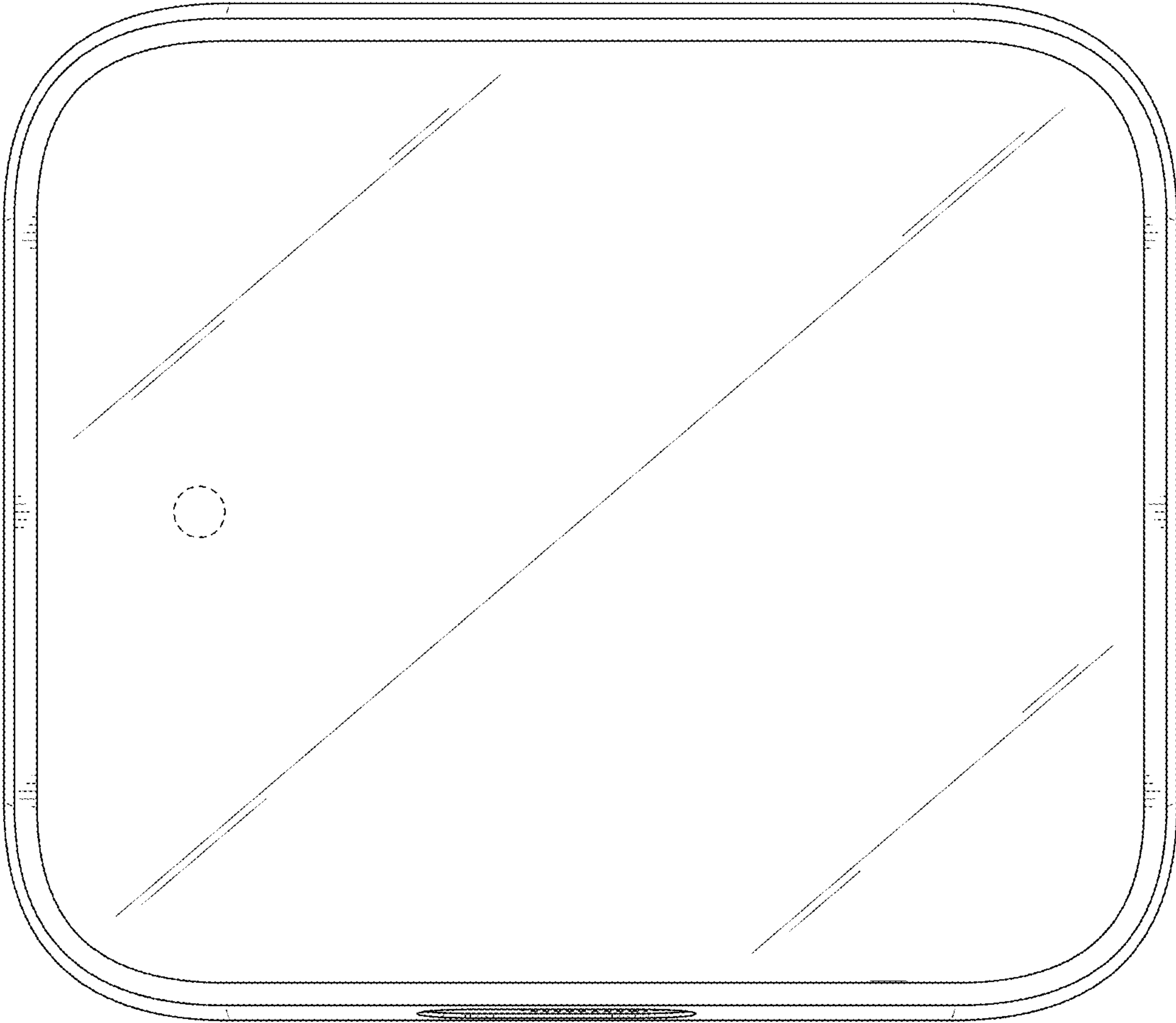


FIG. 3

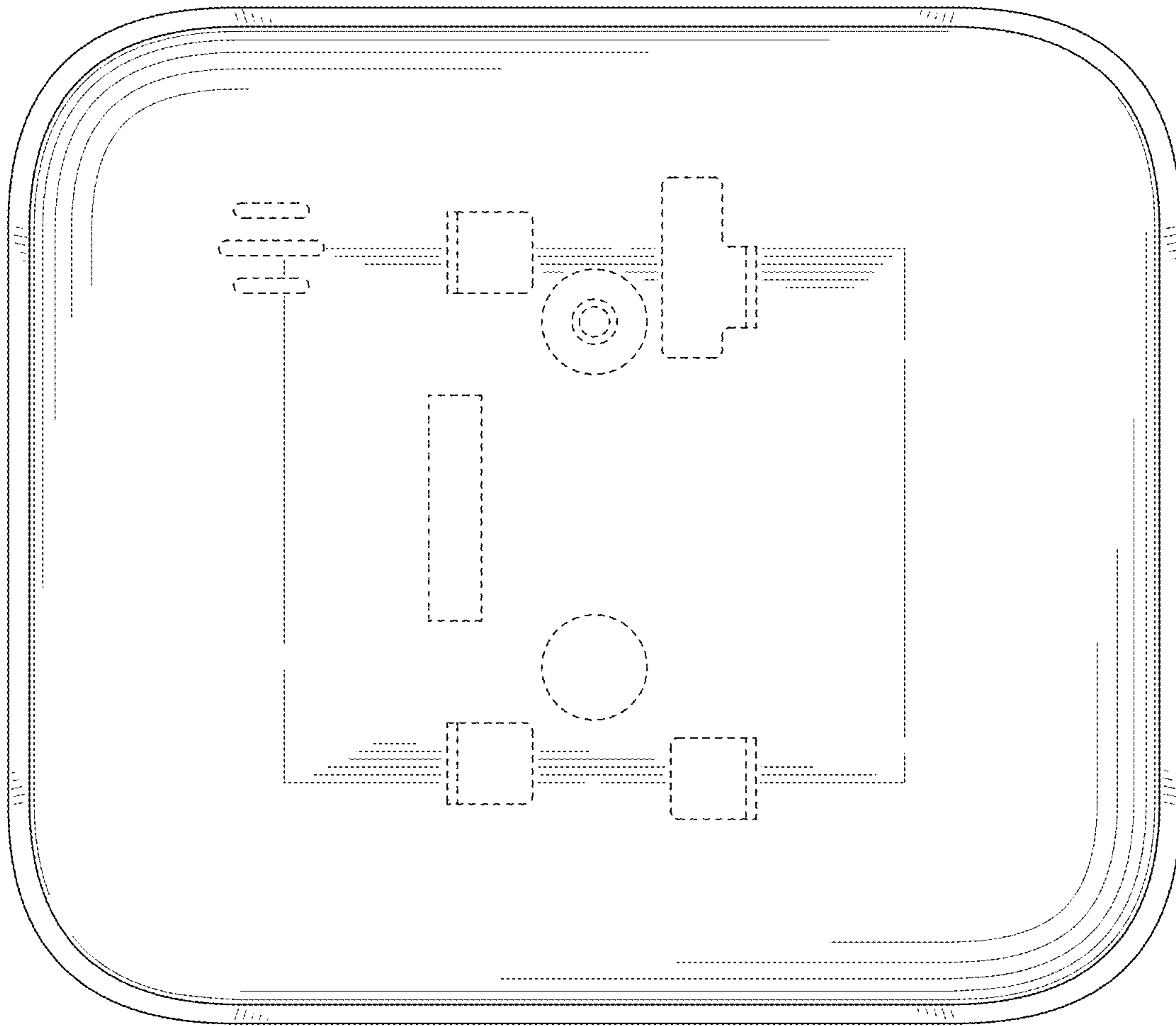


FIG. 4

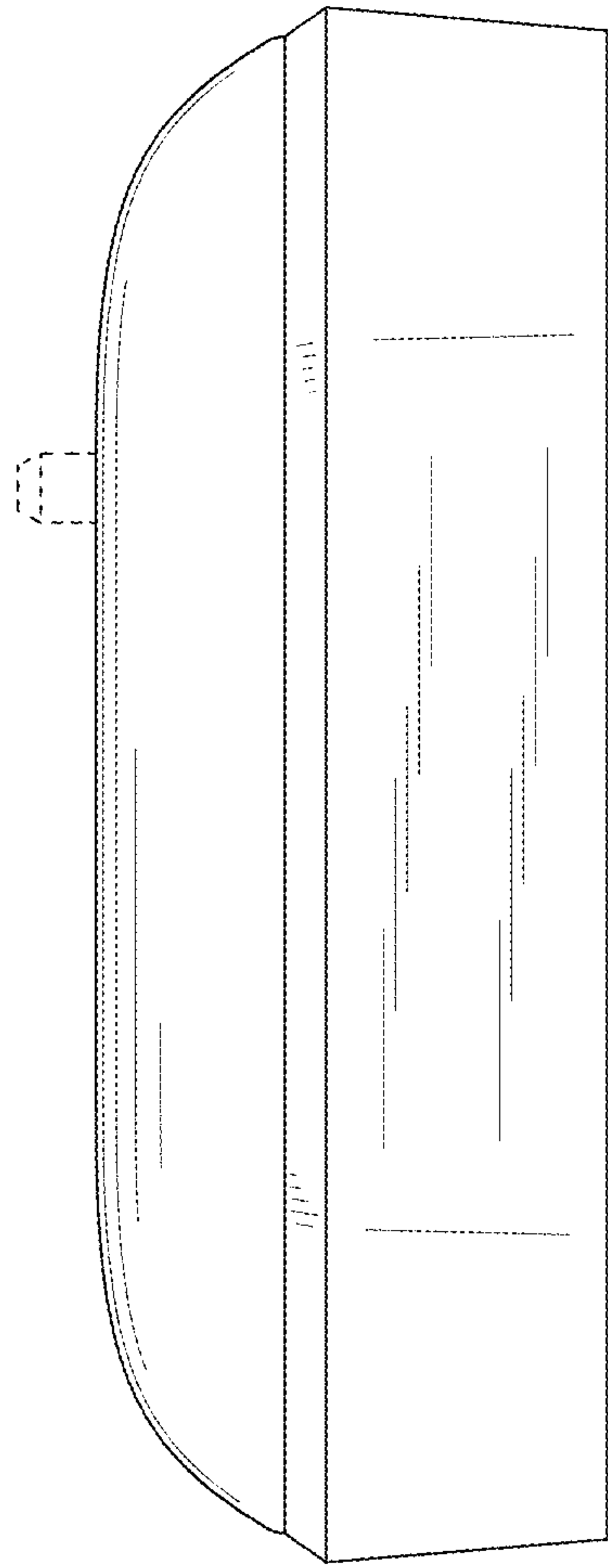


FIG. 5

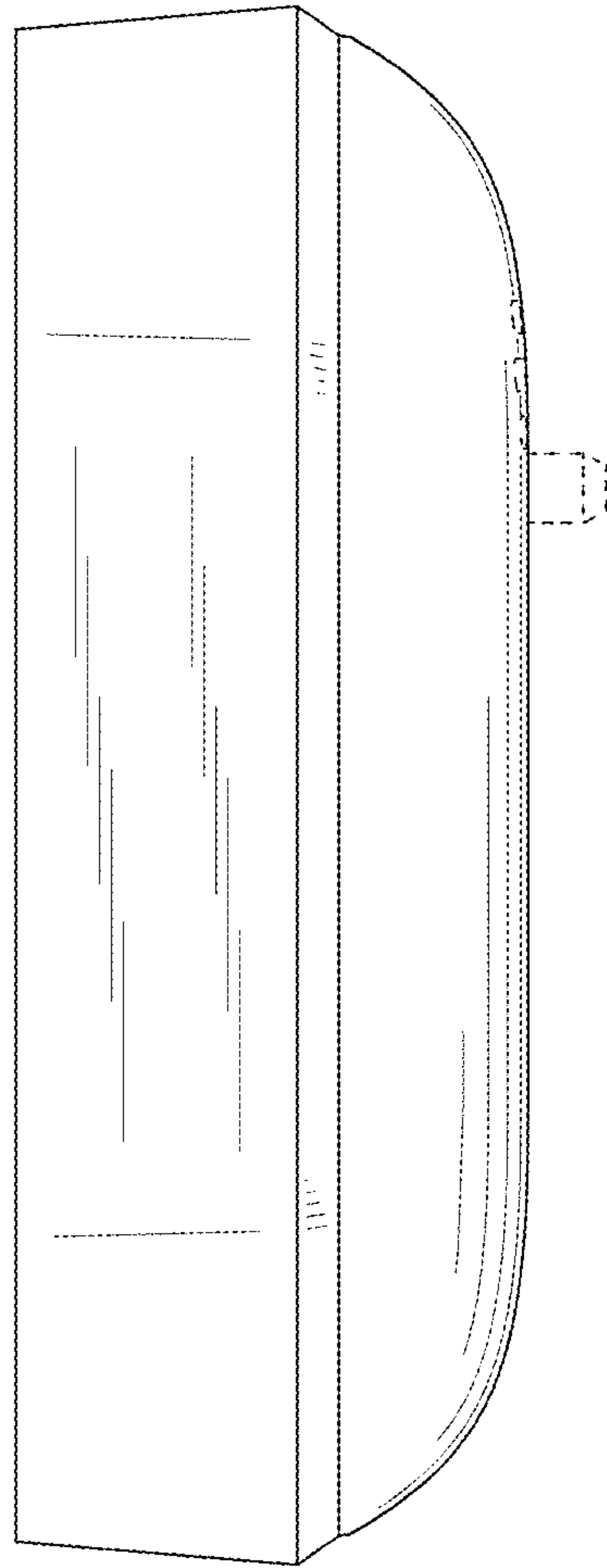


FIG. 6

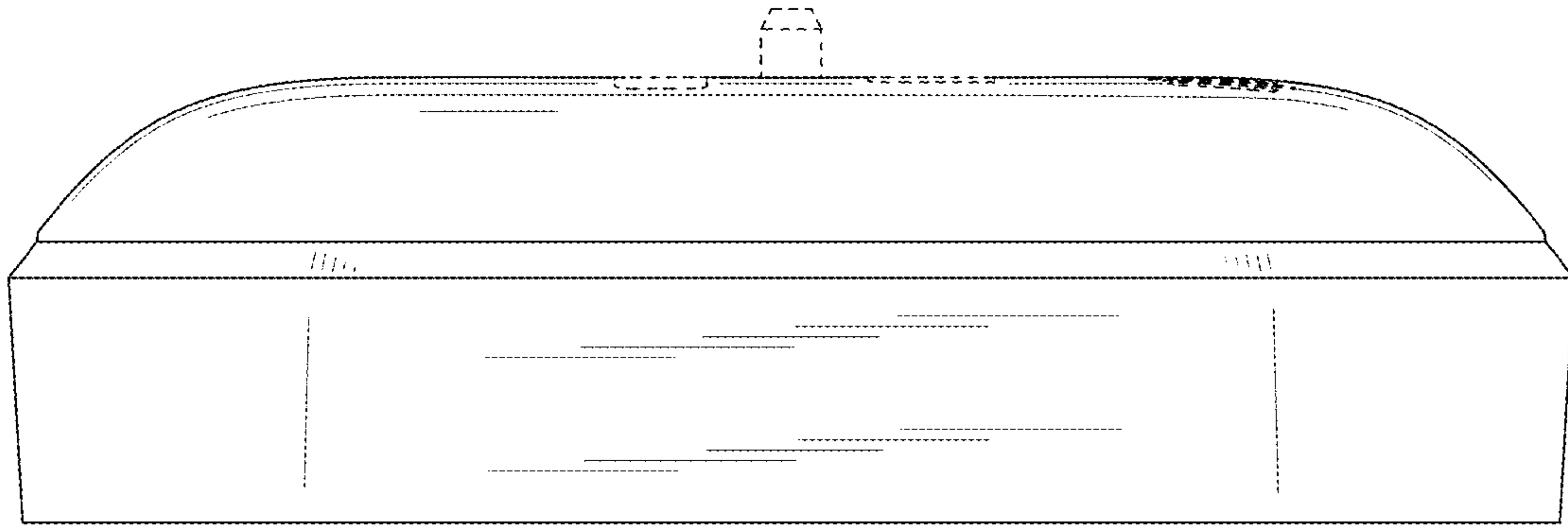


FIG. 7

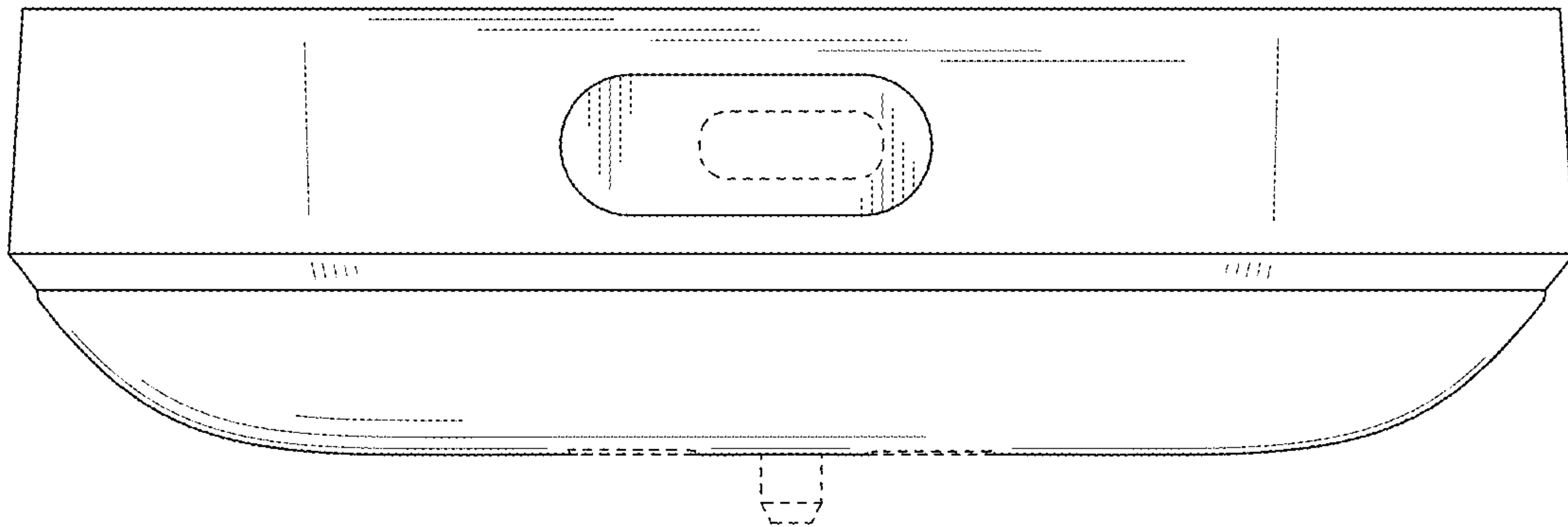


FIG. 8