



US00D982755S

(12) **United States Design Patent** (10) **Patent No.:** **US D982,755 S**  
**Wang** (45) **Date of Patent:** **\*\* Apr. 4, 2023**

(54) **ELECTRONIC SPHYGMOMANOMETER**

D889,660 S \* 7/2020 Xia ..... D24/165  
D915,599 S \* 4/2021 Luo ..... D24/165  
2005/0256411 A1\* 11/2005 Yang ..... A61B 5/681  
600/490

(71) Applicant: **Shenzhen Jamr Technology Co., Ltd.**,  
Shenzhen (CN)

(Continued)

(72) Inventor: **Liming Wang**, Shenzhen (CN)

FOREIGN PATENT DOCUMENTS

(73) Assignee: **Shenzhen Jamr Technology Co., Ltd.**,  
Shenzhen (CN)

CN 302674224 \* 12/2013  
CN 305008757 \* 1/2019  
WO D094354-001 \* 2/2017

(\*\*) Term: **15 Years**

OTHER PUBLICATIONS

(21) Appl. No.: **29/780,354**

Entero Side Profile Blood Pressure Monitor, posted on amazon.in, Sep. 25, 2020, retrieved Oct. 5, 2022, online, URL: <https://www.amazon.in/Carent-W02-Automactic-Pressure-Montior/dp/B08K3N2WHK> (Year: 2020).\*

(22) Filed: **Apr. 23, 2021**

(Continued)

(51) **LOC (14) Cl.** ..... **24-02**

(52) **U.S. Cl.**

USPC ..... **D24/165**

(58) **Field of Classification Search**

USPC ..... D24/165-168, 107, 186-187; D14/344

CPC ..... A61B 5/0404; A61B 5/021; A61B 5/024;

A61B 5/02438; A61B 5/681; A61B

5/0402; A61B 2560/0462

See application file for complete search history.

*Primary Examiner* — Mary Shannon Malley

*Assistant Examiner* — Michelle Marquart Christeon

(74) *Attorney, Agent, or Firm* — ScienBiziP, P.C.

(57)

**CLAIM**

The ornamental design for an electronic sphygmomanometer, as shown and described.

**DESCRIPTION**

(56) **References Cited**

U.S. PATENT DOCUMENTS

D558,879 S \* 1/2008 Eda ..... D24/165  
D561,340 S \* 2/2008 Kitamura ..... D24/165  
D569,518 S \* 5/2008 Kitamura ..... D24/165  
D680,653 S \* 4/2013 Fullerton ..... D24/167  
D690,815 S \* 10/2013 Uozumi ..... D24/165  
D719,263 S \* 12/2014 Shibata ..... D24/165  
D739,940 S \* 9/2015 Uozumi ..... D24/165  
D744,656 S \* 12/2015 Schempp ..... D24/165  
D811,597 S \* 2/2018 Verbrugge ..... D24/165  
D849,950 S \* 5/2019 Nishiyama ..... D24/165  
D871,585 S \* 12/2019 Nishiyama ..... D24/165  
D884,902 S \* 5/2020 Nishiyama ..... D14/487

FIG. 1 is a front, right, and top perspective view of an electronic sphygmomanometer, showing my design.

FIG. 2 is a rear, left, and bottom perspective view thereof.

FIG. 3 is a front elevation view thereof.

FIG. 4 is a rear elevation view thereof.

FIG. 5 is a left side elevation view thereof.

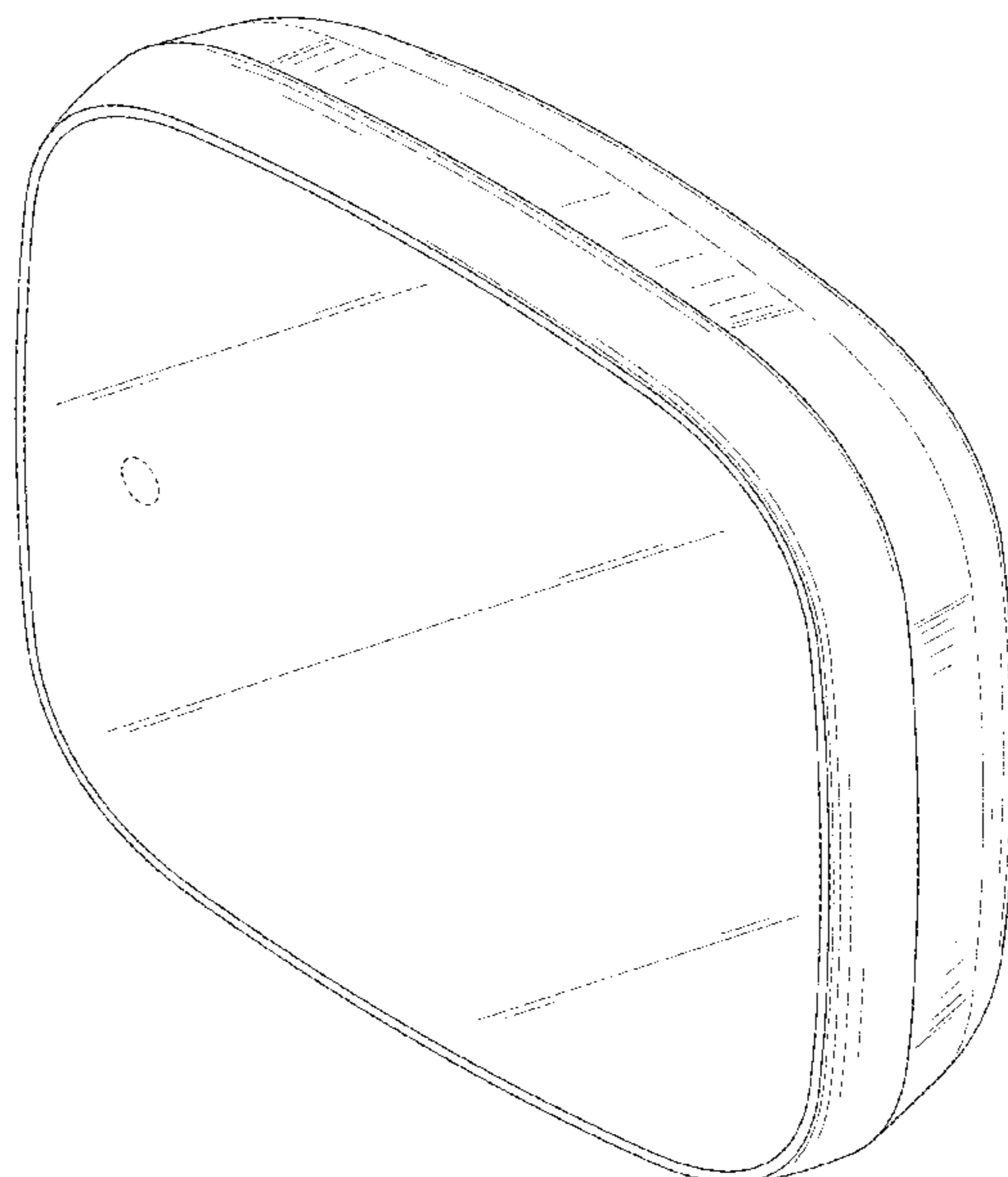
FIG. 6 is a right side elevation view thereof.

FIG. 7 is a top plan view thereof; and,

FIG. 8 is a bottom plan view thereof.

The broken lines shown in the drawings are included for the purpose of illustrating portions of the electronic sphygmomanometer that form no part of the claimed design.

**1 Claim, 8 Drawing Sheets**



(56)

**References Cited**

U.S. PATENT DOCUMENTS

2011/0245695 A1\* 10/2011 Kawano ..... A61B 5/02233  
600/493  
2013/0023777 A1\* 1/2013 Tokko ..... A61B 5/02116  
600/494  
2017/0347893 A1\* 12/2017 Osoegawa ..... A61B 5/02233  
2022/0287575 A1\* 9/2022 Kondo ..... A61B 5/022

OTHER PUBLICATIONS

Ruord Flat LED Blood Pressure Monitor, posted on amazon.com, Nov. 26, 2021, retrieved Oct. 5, 2022, online, URL: <https://www.amazon.com/Adjustable-Automatic-Irregular-Heartbeat-Indicator/dp/B09MLZ7LF1> (Year: 2021).\*

Jamr Arm Blood Pressure Monitor Online Product Catalogue, posted at jamrmed.com, no posting date, retrieved Sep. 20, 2022, online, URL:<http://www.jamrmed.com/col.jsp?id=124> (Year: 2022).\*

\* cited by examiner

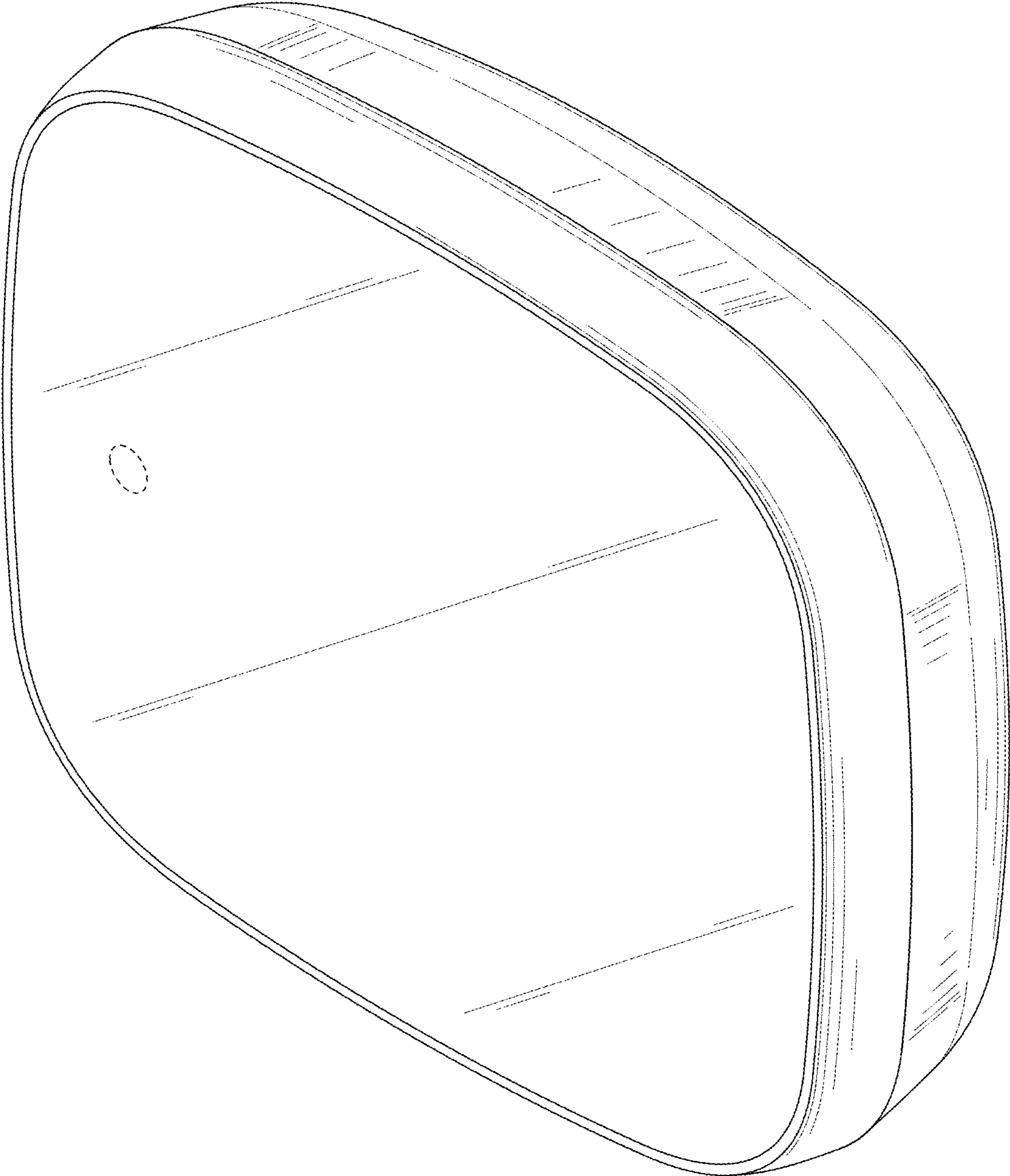


FIG. 1

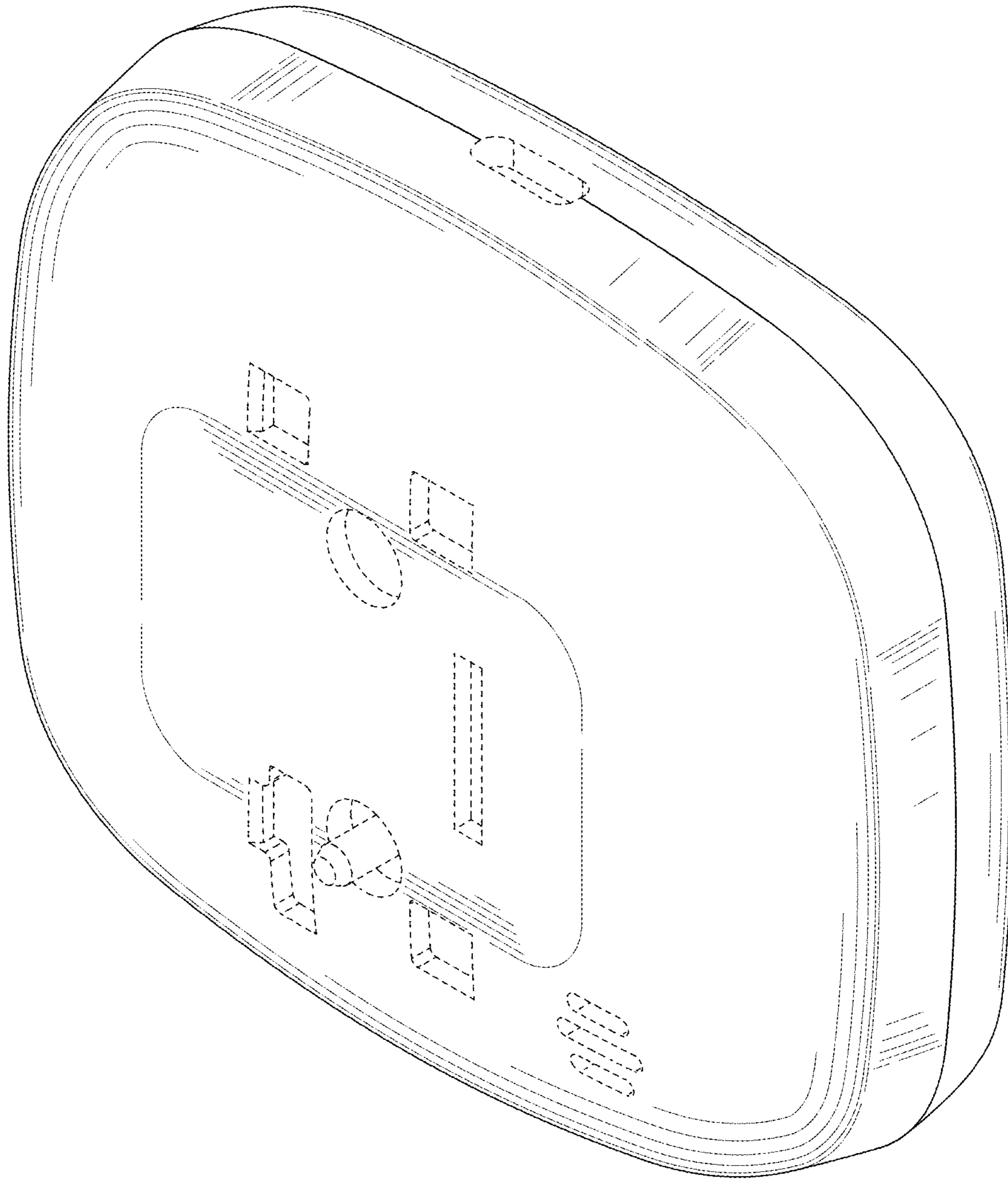


FIG. 2

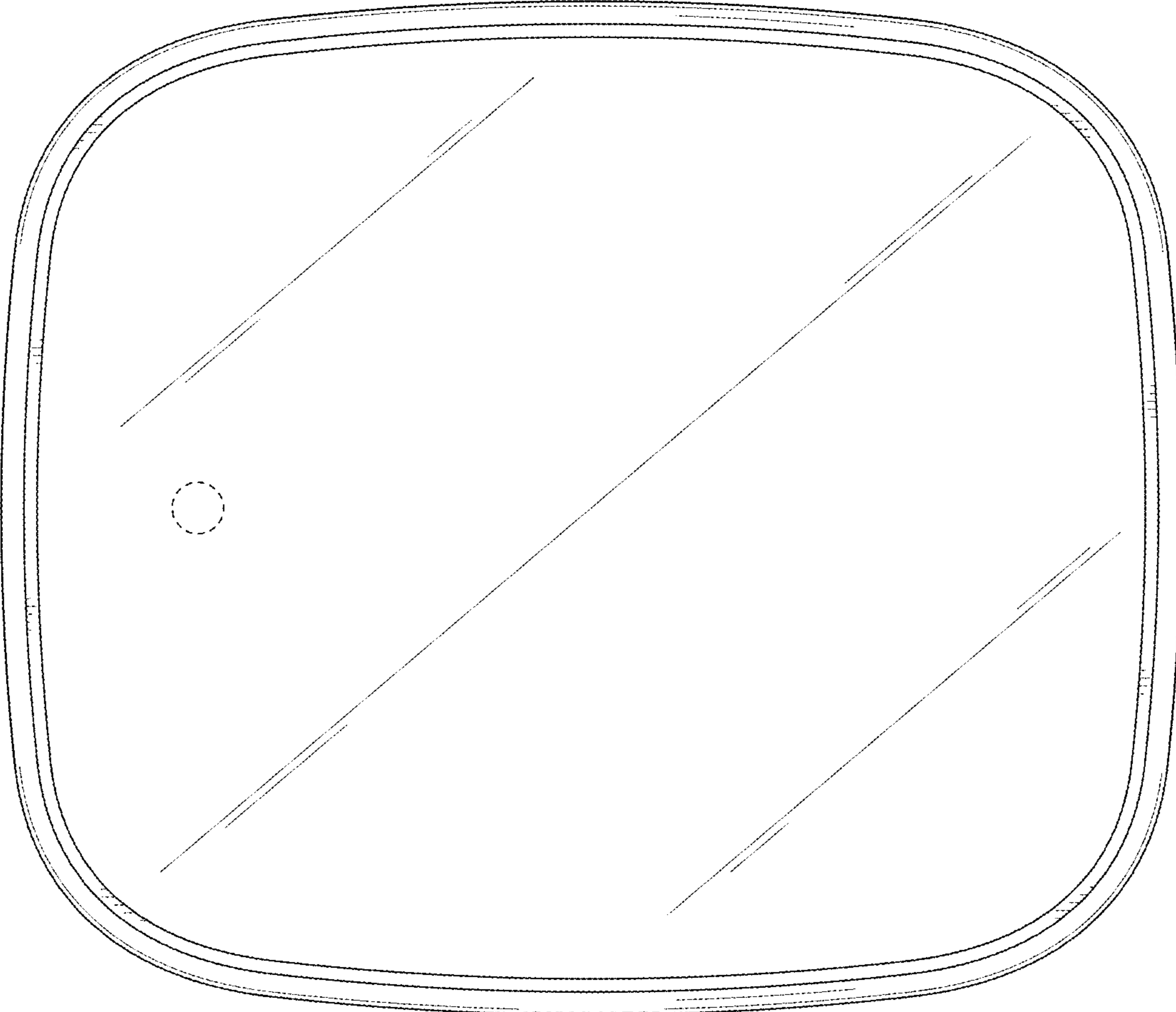


FIG. 3



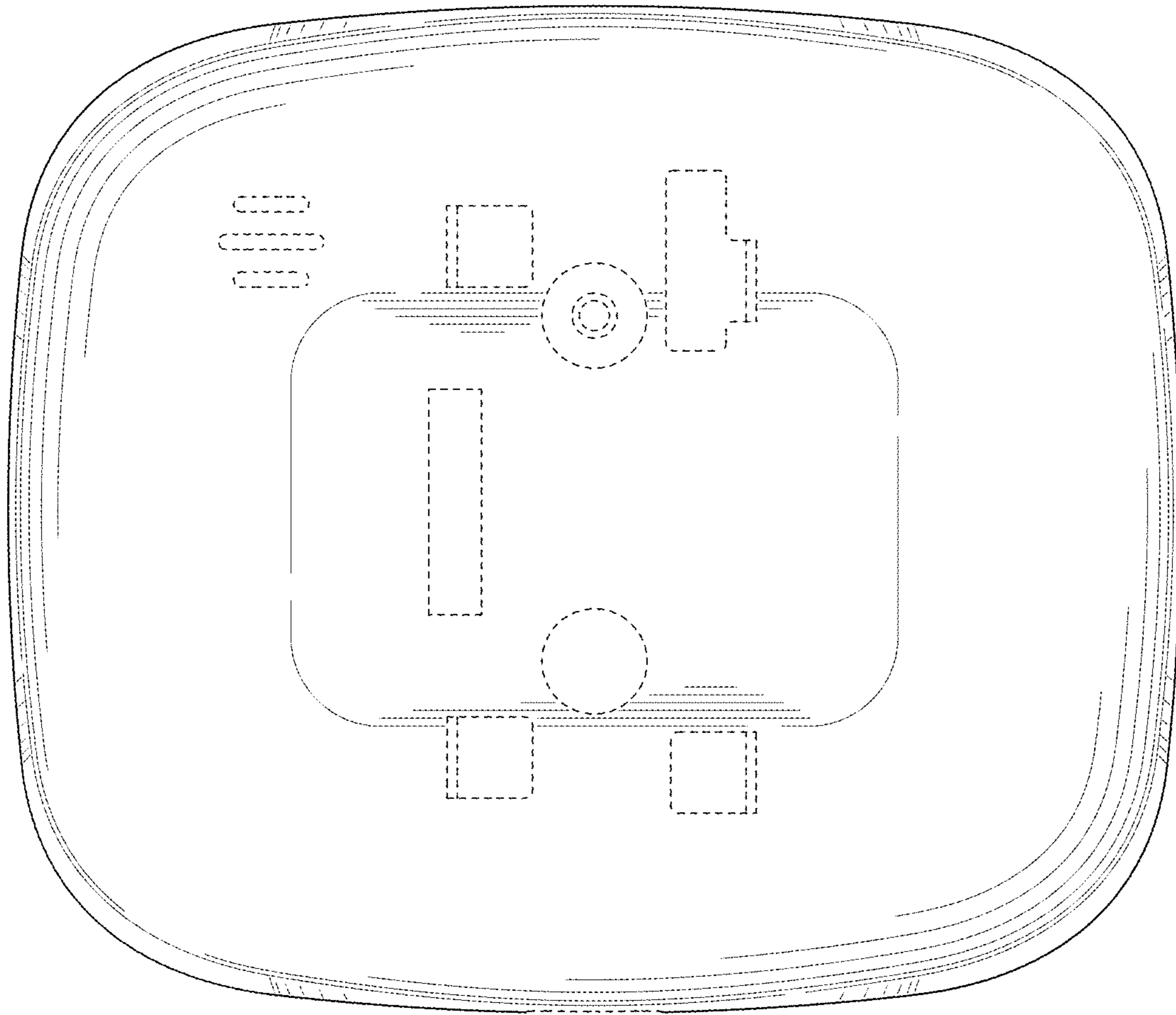


FIG. 4

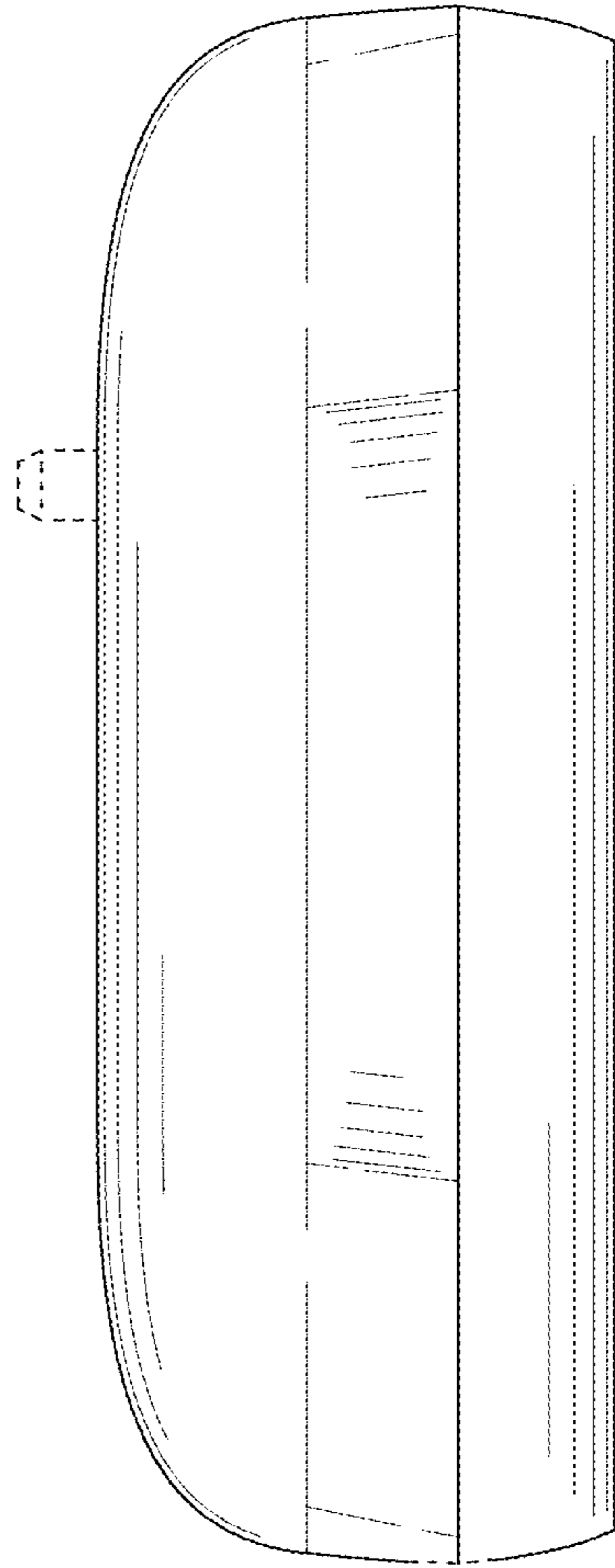


FIG. 5

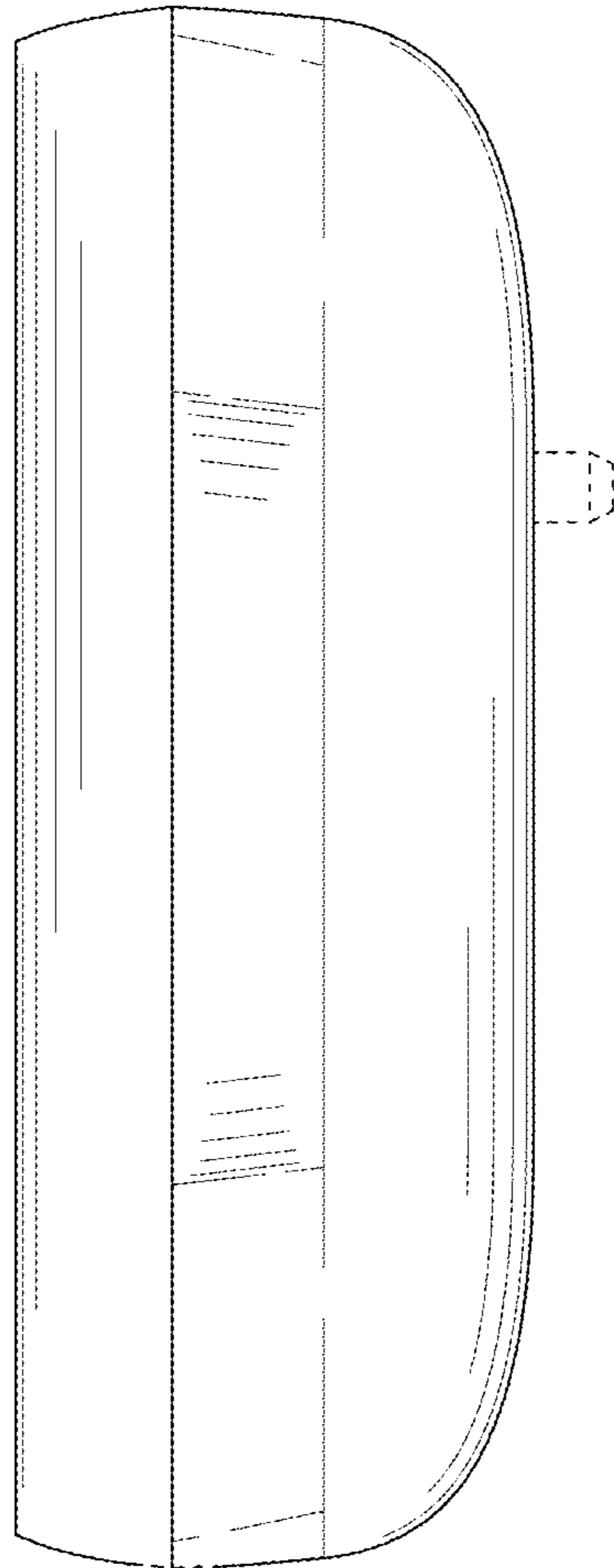


FIG. 6



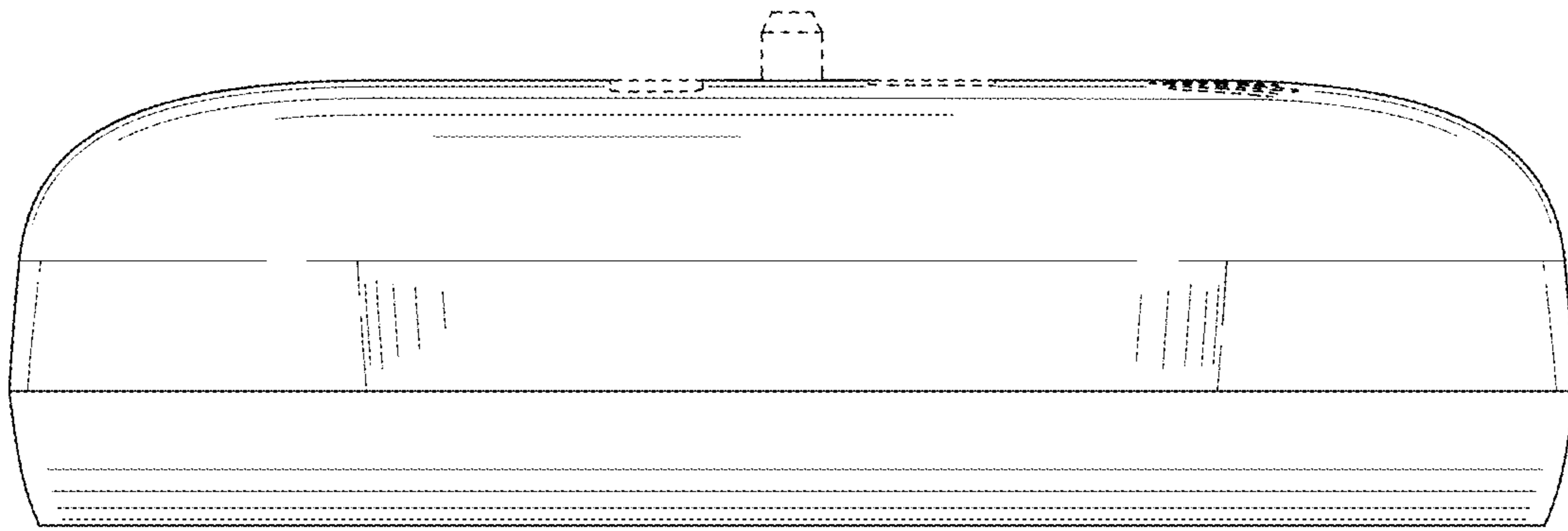


FIG. 7

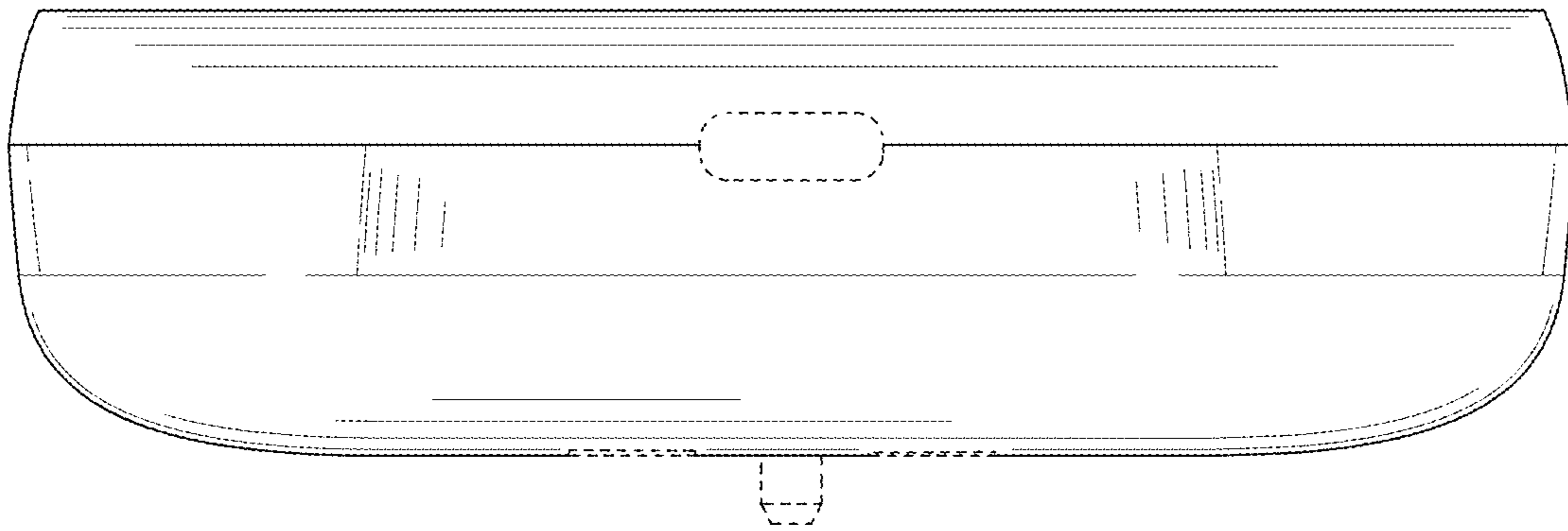


FIG. 8