



US00D982749S

(12) **United States Design Patent** (10) **Patent No.:** **US D982,749 S**
Huang (45) **Date of Patent:** **** Apr. 4, 2023**

(54) **MICRONEEDLING PEN**

FOREIGN PATENT DOCUMENTS

(71) Applicant: **Xikun Huang**, Quanzhou (CN)

CN 304962995 * 12/2018
GB 6196831 * 3/2022

(72) Inventor: **Xikun Huang**, Quanzhou (CN)

(**) Term: **15 Years**

OTHER PUBLICATIONS

(21) Appl. No.: **29/839,530**

Amazon.com _ Microneedling Pen Electric Derma Pen,Amazon.com, date published Mar. 18, 2021,date retrieved Sep. 15, 2022—29839530—https://amzn.to/3dbqCxJ (Year: 2021).*
Tilman Wireless Microneedling Pen,Amazon.com,date reviewed Dec. 15, 2021,date retrieved Sep. 12, 2022—29839530—https://www.amazon.com/Tilman-Wireless-Microneedling-Pen-Dermapen/dp/B09DD8FXCR/ref=cm_cr_arp_d_pdt_img_top?ie=UTF8 (Year: 2021).*

(22) Filed: **May 23, 2022**

(51) **LOC (14) Cl.** **24-02**

(52) **U.S. Cl.**
USPC **D24/144**

(58) **Field of Classification Search**
USPC D24/133, 144, 147, 176, 180, 181;
D26/37, 49; D19/168
CPC A61B 18/203; A61B 2017/00057
See application file for complete search history.

* cited by examiner

Primary Examiner — Nicole C Shiflet
Assistant Examiner — Danielle Nichole Bowly

(56) **References Cited**

(57) **CLAIM**

U.S. PATENT DOCUMENTS

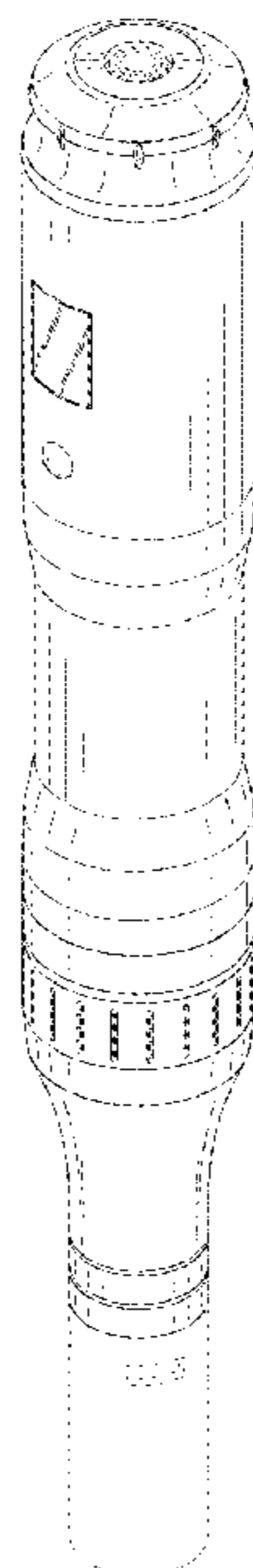
The ornamental design for a microneedling pen, as shown and described.

D165,493 S	*	12/1951	Storz, Jr.	D24/144
D240,277 S	*	6/1976	Staub	D24/144
D422,359 S	*	4/2000	Fitch	D24/133
D453,833 S	*	2/2002	Hess	D24/144
D495,052 S	*	8/2004	Reschke	D24/144
D536,451 S	*	2/2007	Haydu	D24/146
D597,668 S	*	8/2009	Woodruff	D24/144
D709,196 S	*	7/2014	Greep	D24/144
D743,546 S	*	11/2015	Jayaraj	D24/144
D749,254 S	*	2/2016	Robinson	D26/37
D805,195 S	*	12/2017	Lee	D24/144
D805,197 S	*	12/2017	Lee	D24/144
D837,882 S	*	1/2019	Tomiyama	D19/924
D866,762 S	*	11/2019	Lee	D24/144
D903,866 S		12/2020	Chen	
D912,818 S	*	3/2021	Wang	D24/144
D943,744 S	*	2/2022	Yang	D24/144
D954,941 S	*	6/2022	Yuan	D24/144
D958,884 S	*	7/2022	Wu	D19/168

DESCRIPTION

FIG. 1 is a front perspective view of a microneedling pen, showing my new design;
FIG. 2 is a front view thereof;
FIG. 3 is a rear view thereof;
FIG. 4 is a left side view thereof;
FIG. 5 is a right side view thereof;
FIG. 6 is a top view thereof; and,
FIG. 7 is a bottom view thereof.
The broken lines in the drawings illustrate the portions of the microneedling pen, which form no part of the claimed design.

1 Claim, 7 Drawing Sheets



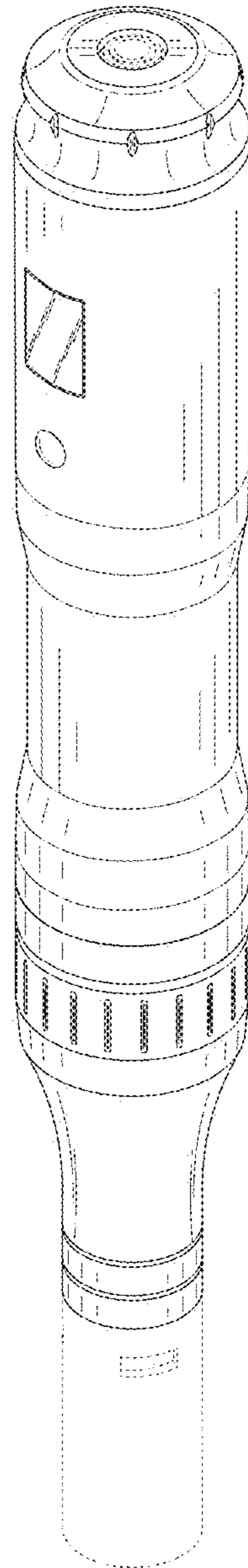


FIG. 1

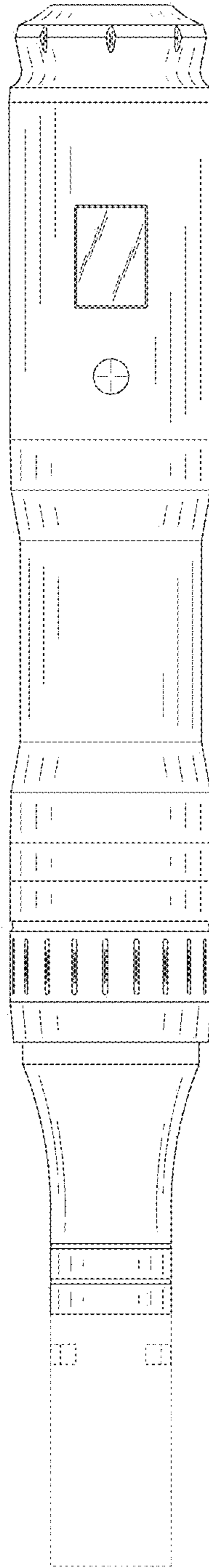


FIG. 2

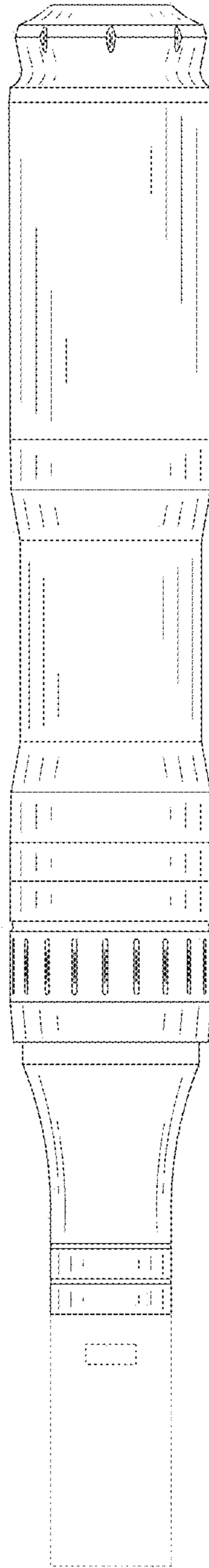


FIG. 3

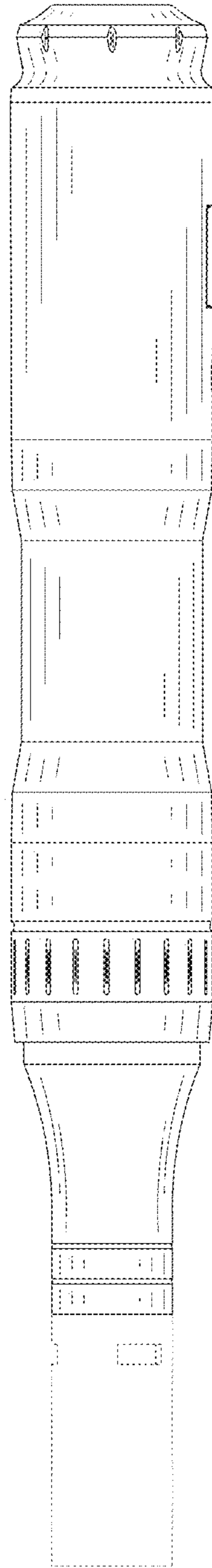


FIG. 4

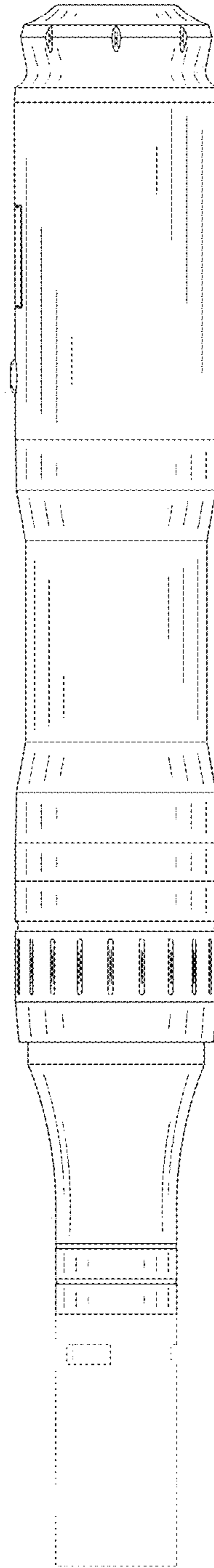


FIG. 5

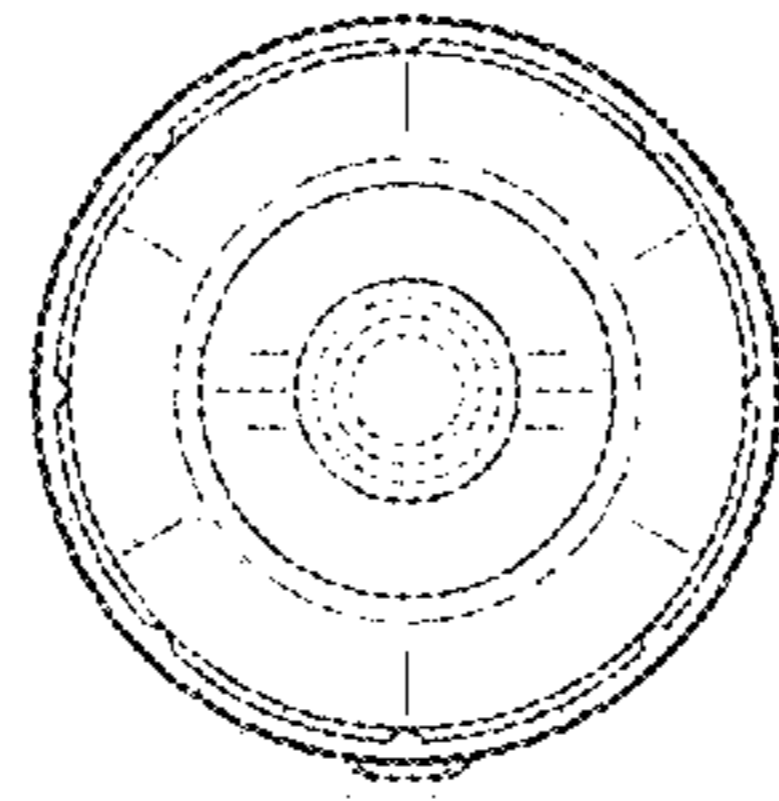


FIG. 6

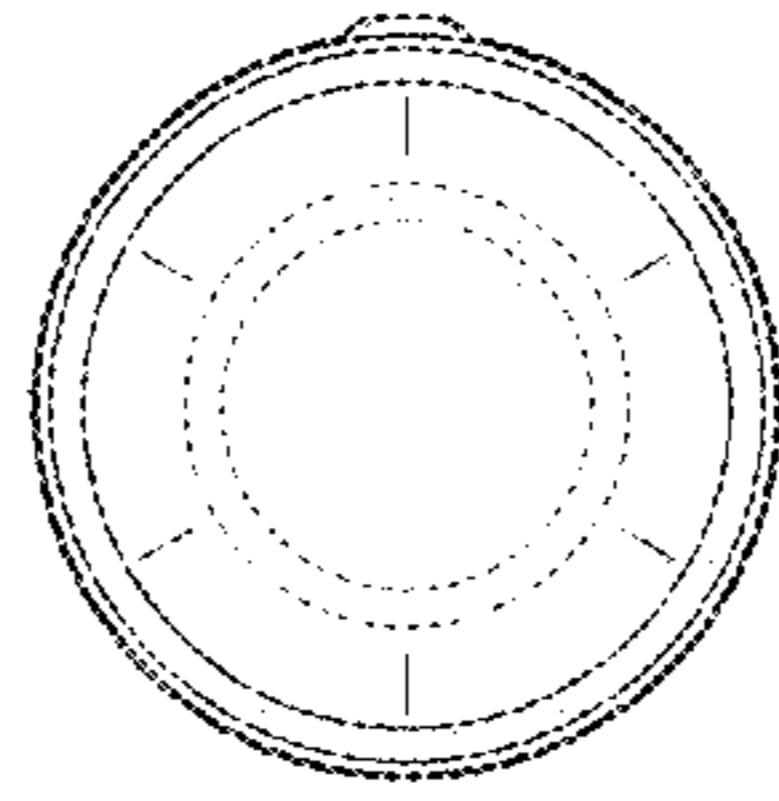


FIG. 7