



US00D982748S

(12) **United States Design Patent** (10) **Patent No.:** **US D982,748 S**
Garcia (45) **Date of Patent:** **** Apr. 4, 2023**

(54) **CONNECTOR FOR MEDICAL BAG**

(71) Applicant: **TECHNOFLEX**, Bidart (FR)

(72) Inventor: **David Garcia**, Briscous (FR)

(**) Term: **15 Years**

(21) Appl. No.: **35/512,916**

(22) Filed: **Oct. 21, 2021**

(80) **Hague Agreement Data**

Int. Filing Date: **Oct. 21, 2021**

Int. Reg. No.: **DM/217175**

Int. Reg. Date: **Oct. 21, 2021**

Int. Reg. Pub. Date: **Nov. 12, 2021**

(51) **LOC (14) Cl.** **24-02**

(52) **U.S. Cl.**
USPC **D24/129**

(58) **Field of Classification Search**

USPC D24/127-131, 112-114, 133, 186;
606/181, 185; 604/264, 523-528, 272,
604/187, 158, 164.01-164.11, 181, 184,
604/227; 600/101, 139, 143;
128/200.24, 207.14, 207.15

CPC .. A61M 25/065; A61M 5/42; A61M 25/0612;
A61M 25/00; A61M 39/00; A61M 27/00;
A61M 25/0043; A61M 25/0067; A61M
25/0097

See application file for complete search history.

(56) **References Cited**

U.S. PATENT DOCUMENTS

D268,871 S * 5/1983 Benham D23/262
D339,417 S * 9/1993 Sampson D24/129

D355,031 S * 1/1995 Yoshikawa D24/129
D375,160 S * 10/1996 Sampson D23/262
D450,119 S * 11/2001 Rose D24/129
D454,637 S * 3/2002 Nestenborg D24/112
D473,646 S * 4/2003 Baillargeon D24/129
D679,009 S * 3/2013 Amborn D24/129
D684,258 S * 6/2013 Luethy D24/112
D815,729 S * 4/2018 Guala D24/129
D845,475 S * 4/2019 Serfati D24/129
D852,356 S * 6/2019 Steele D24/129
D870,277 S * 12/2019 Quentin D24/129

* cited by examiner

Primary Examiner — Nathan M Johnston

(57) **CLAIM**

The ornamental design for a connector for medical bag, as shown and described.

DESCRIPTION

1. Connector for medical bag

1.1 : Right

1.2 : Left

1.3 : Perspective

1.4 : Back

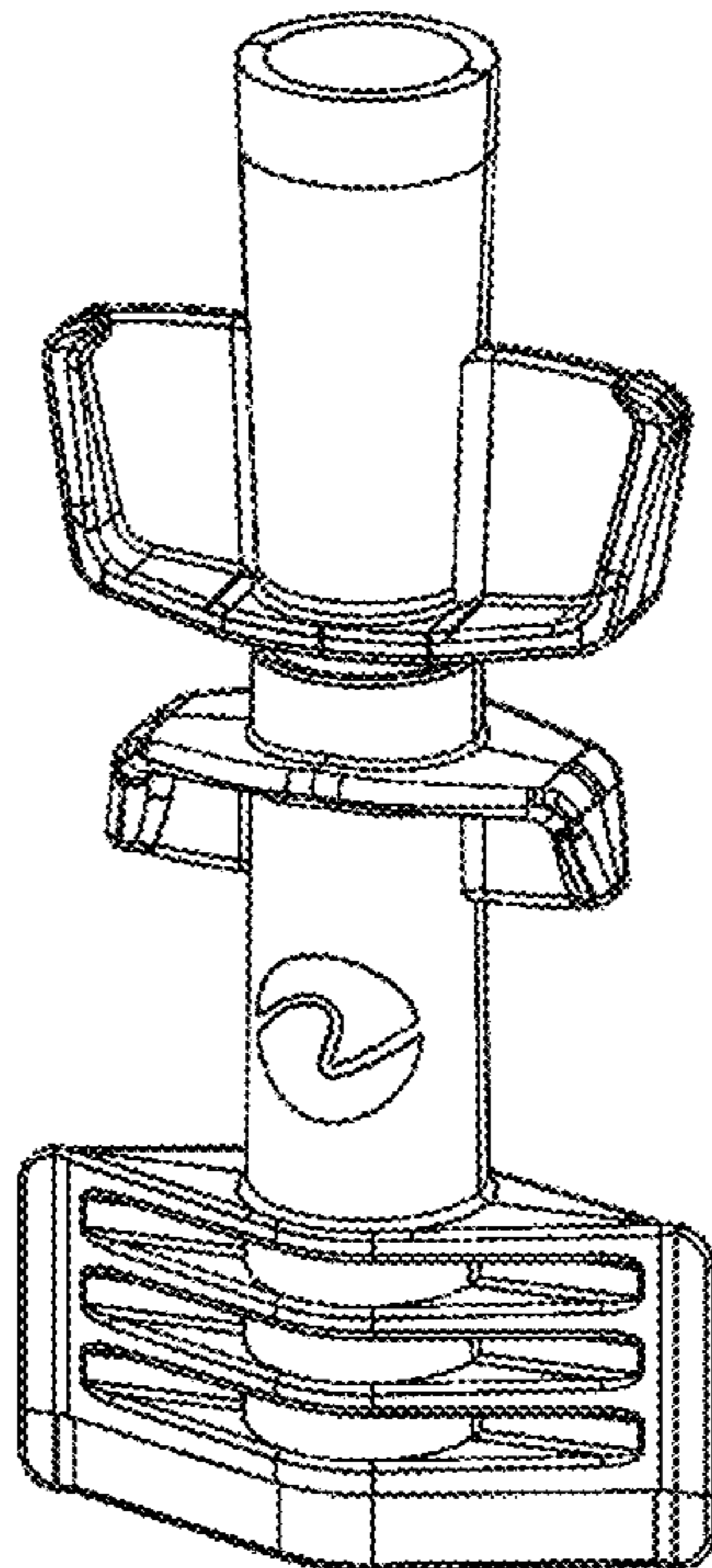
1.5 : Front

1.6 : Top

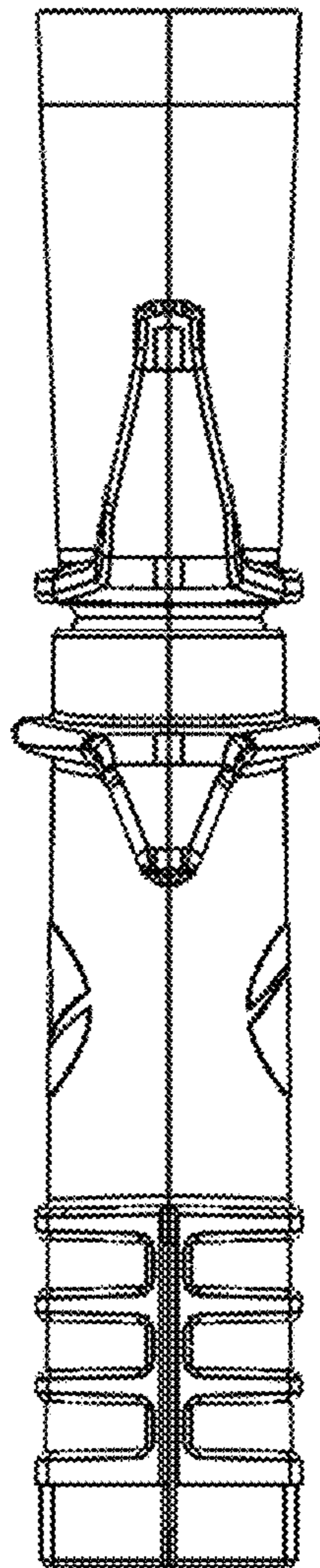
1.7 : Bottom

The portions of the connector shown in broken lines form no part of the claimed design.

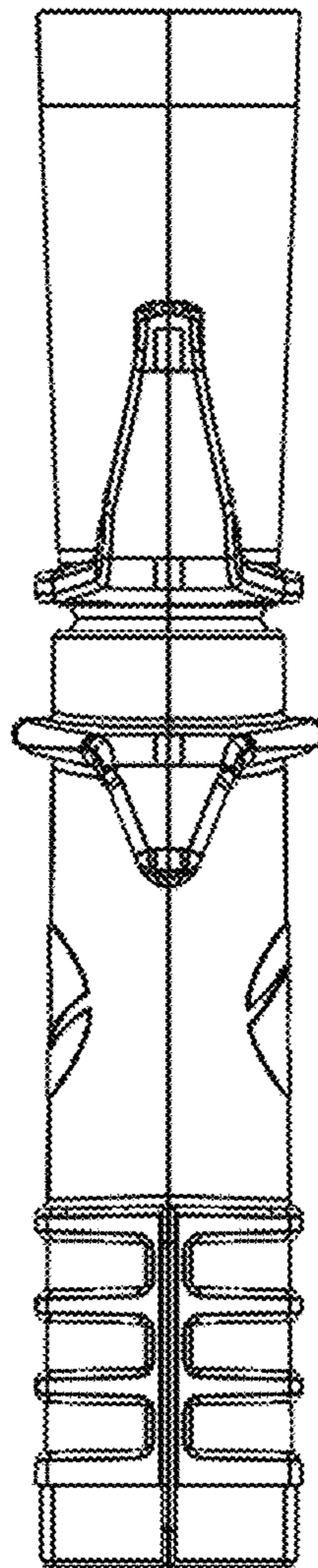
1 Claim, 7 Drawing Sheets



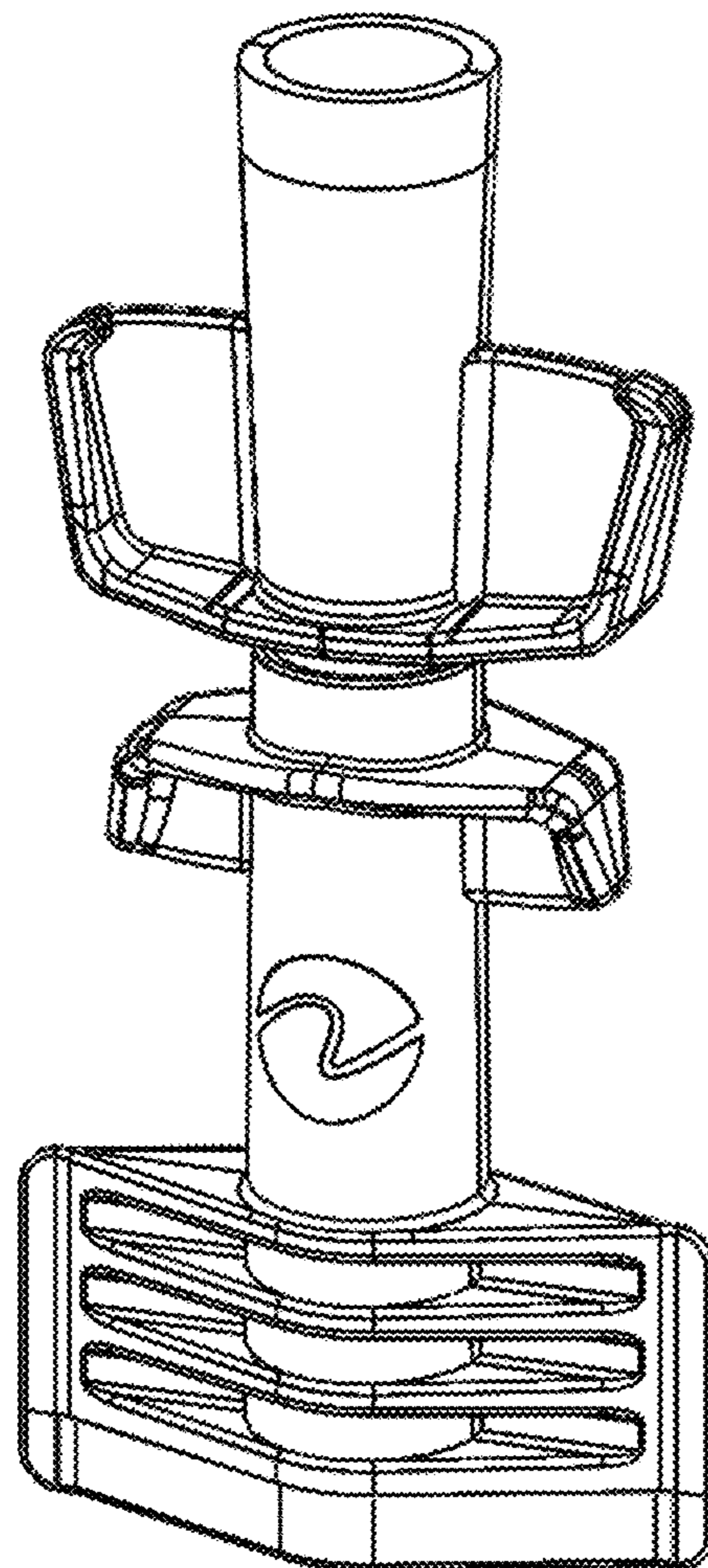
1.1



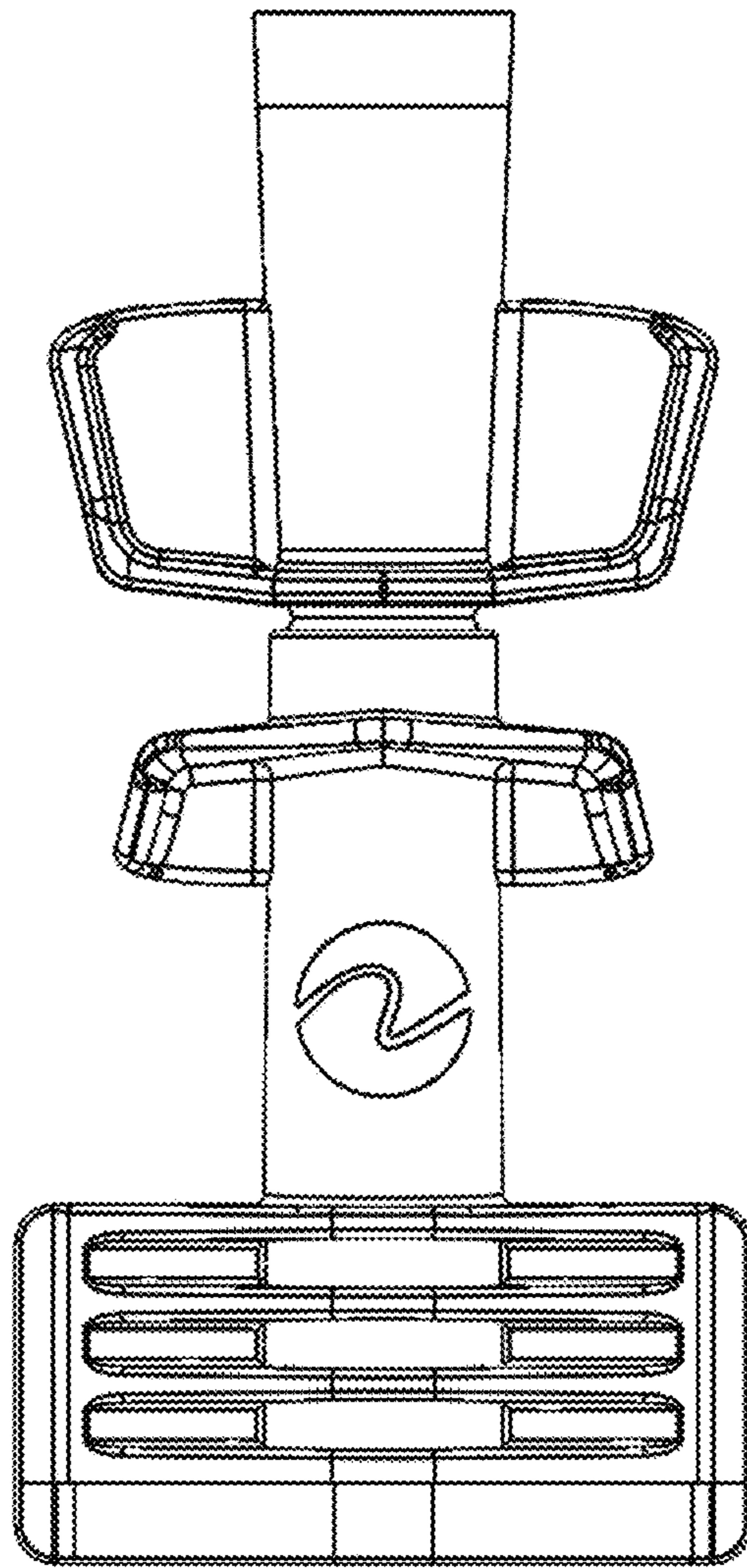
1.2



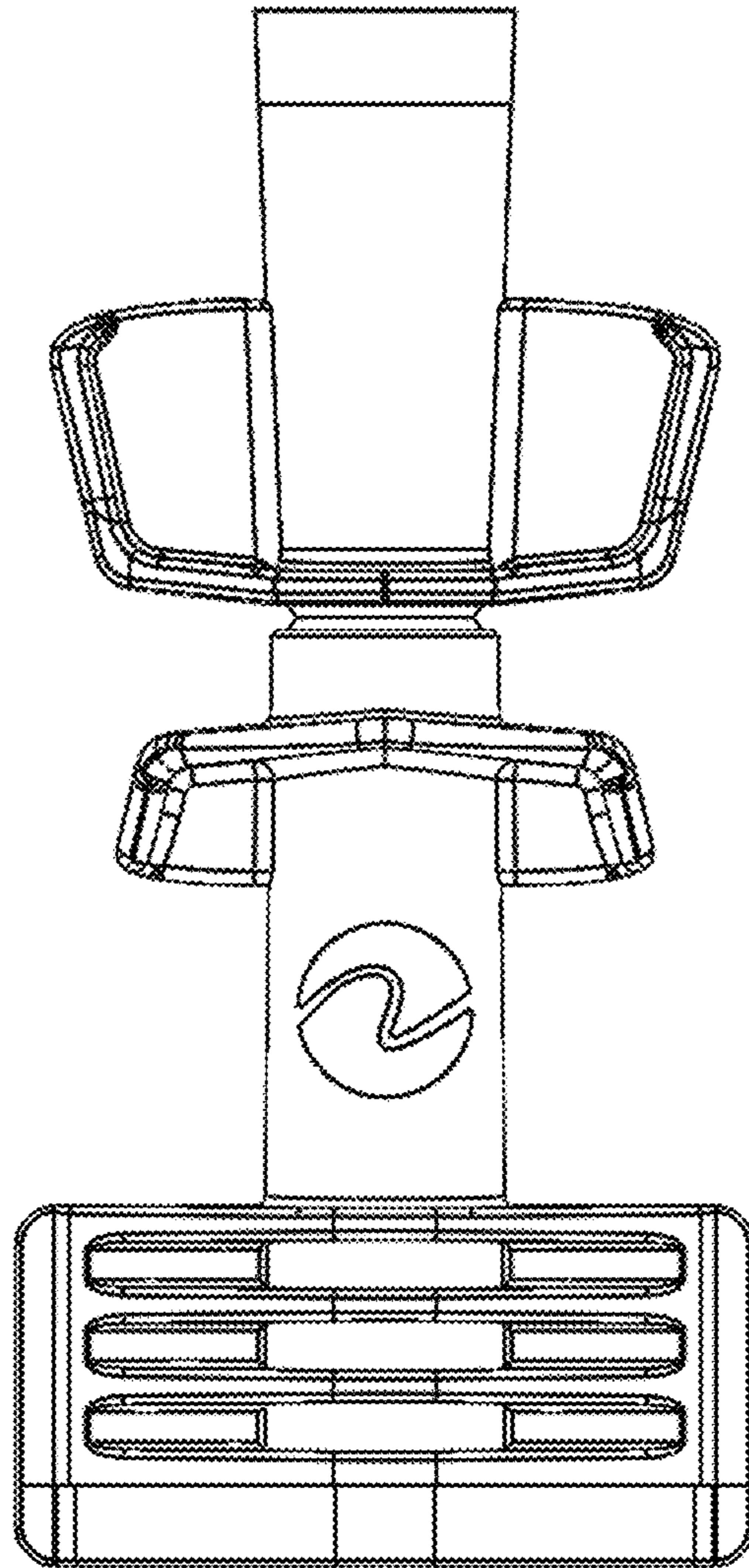
1.3



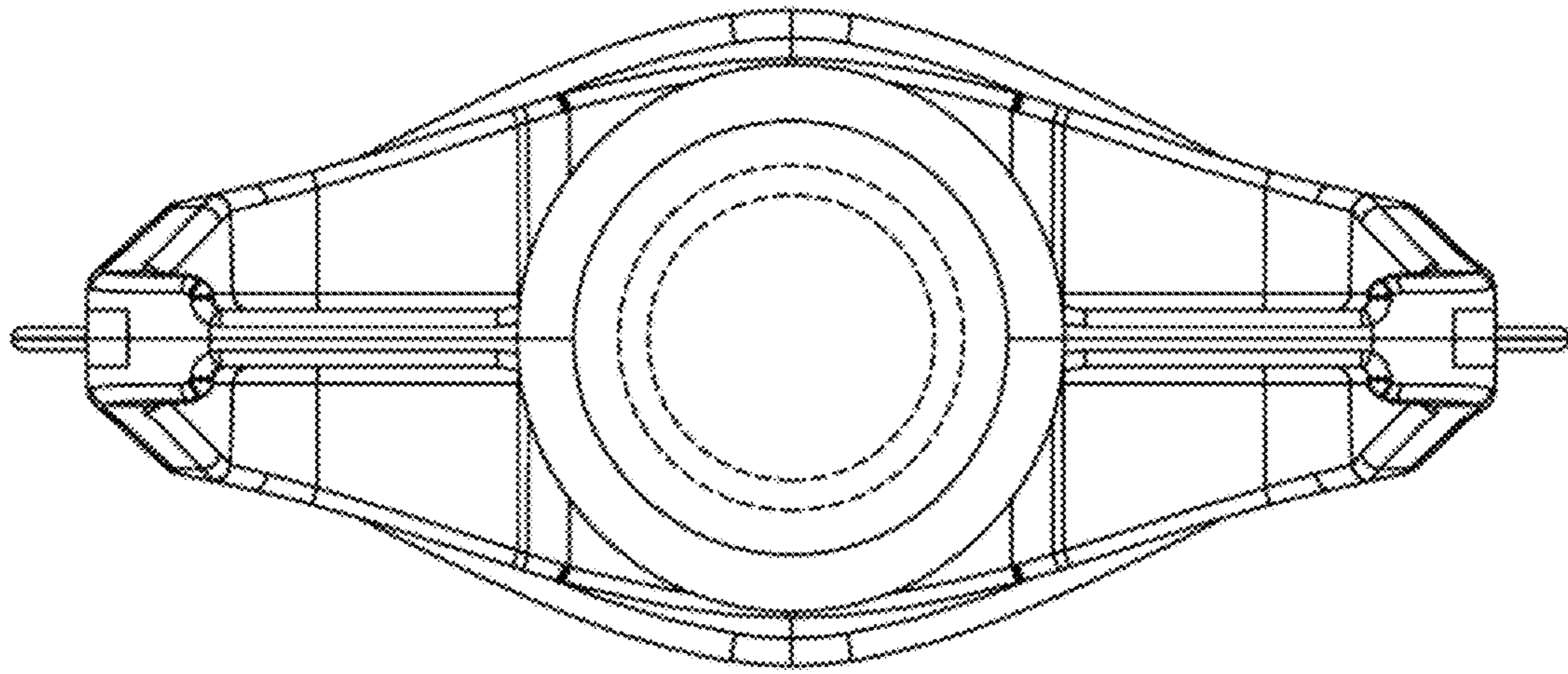
1.4



1.5



1.6



1.7

