



US00D982743S

(12) **United States Design Patent** (10) **Patent No.:** **US D982,743 S**
Hagos (45) **Date of Patent:** **** Apr. 4, 2023**

(54) **SYRINGE FLASK**
(71) Applicant: **Abrham Gebremariam Hagos**,
Hawthorne, CA (US)
(72) Inventor: **Abrham Gebremariam Hagos**,
Hawthorne, CA (US)

6,926,697 B2 8/2005 Malenchek
D543,278 S * 5/2007 Numata D24/114
D547,906 S 7/2007 Chue
7,572,247 B2 8/2009 Smith et al.
D604,942 S * 12/2009 Smith D3/202
(Continued)

(**) Term: **15 Years**

CN 305612988 * 2/2020
KR 300884539.0000 * 12/2016

(21) Appl. No.: **29/869,759**

(Continued)

(22) Filed: **Jan. 9, 2023**

FOREIGN PATENT DOCUMENTS

(51) **LOC (14) Cl.** **24-02**

(52) **U.S. Cl.**
USPC **D24/114**

(58) **Field of Classification Search**
USPC D24/108, 112-114, 127, 130, 133;
D3/202

CPC A61M 5/178; A61M 5/3129; A61M 5/315;
A61M 5/31501; A61M 5/31511; A61M
5/3153; A61M 2005/1787

See application file for complete search history.

OTHER PUBLICATIONS

Zhejiang Aina Technologies Co., Ltd., Small shape Cosmetic container plastic 10ml syringe airless bottle, retrieved from Internet, retrieved on Aug. 24, 2022, <URL: <https://www.alibaba.com/product-detail/Small-shape-Cosmetic-containe>>.

(Continued)

Primary Examiner — Daniel J Domino

Assistant Examiner — Lee D. Starr

(56) **References Cited**

U.S. PATENT DOCUMENTS

4,693,709 A 9/1987 George et al.
4,708,270 A * 11/1987 Ruesch A61M 3/00
604/218
D310,575 S 9/1990 Leopoldi et al.
5,007,903 A * 4/1991 Ellard A61M 5/322
604/196
5,411,489 A * 5/1995 Pagay A61M 5/31513
604/218
5,496,288 A * 3/1996 Sweeney A61M 5/178
220/254.3
5,509,903 A * 4/1996 Grendahl A61M 5/178
D24/114
5,833,660 A 11/1998 Nathan et al.
D445,176 S * 7/2001 Landers D24/114
D489,819 S * 5/2004 Ford D24/114
D505,200 S * 5/2005 Simpson D24/114

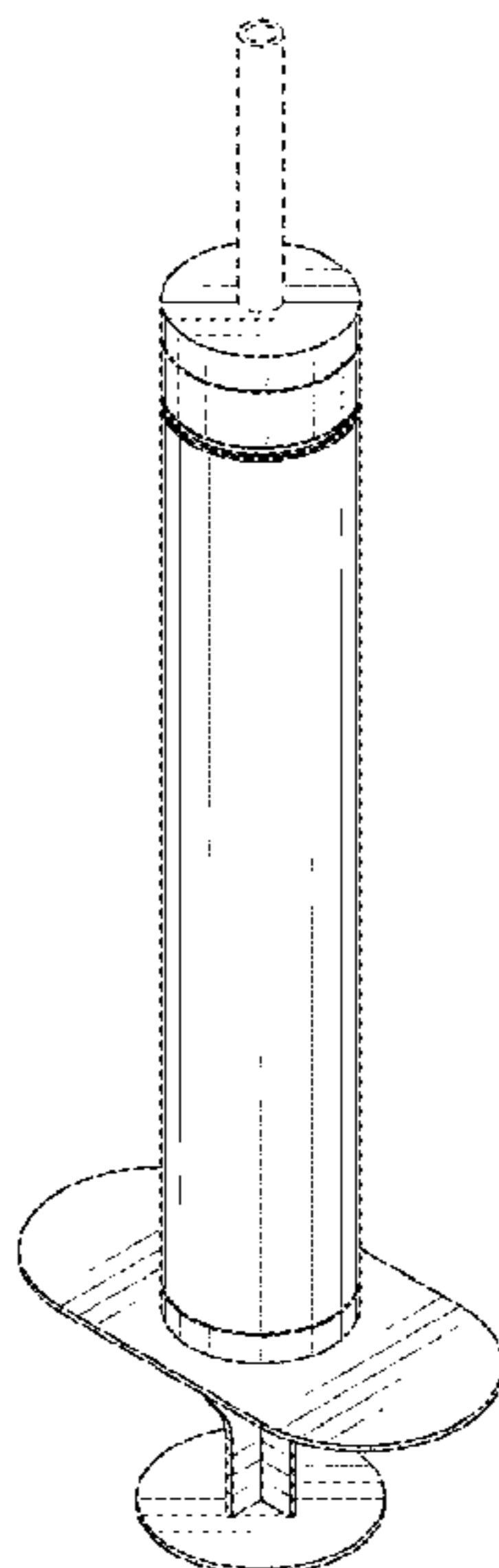
(57) **CLAIM**

The ornamental design for a syringe flask, as shown and described.

DESCRIPTION

FIG. 1 is a front-top perspective view of a syringe flask showing my new design;
FIG. 2 is a front-bottom perspective view thereof;
FIG. 3 is a front elevational view thereof, where the rear elevational view is identical thereto;
FIG. 4 is a left elevational view thereof, where the right elevational view is identical thereto;
FIG. 5 is a top plan view thereof; and,
FIG. 6 is a bottom plan view thereof.
The broken lines in the drawings depict portions of the syringe flask that form no part of the claimed design.

1 Claim, 6 Drawing Sheets



(56)

References Cited

U.S. PATENT DOCUMENTS

D635,249 S * 3/2011 Becker D24/114
 D650,903 S * 12/2011 Kosinski D24/130
 D739,524 S * 9/2015 Zemel D7/669
 9,428,327 B2 8/2016 Liu et al.
 D773,042 S * 11/2016 Hwang D24/130
 D790,688 S * 6/2017 Choi D24/114
 D804,651 S * 12/2017 Loonan D24/114
 D825,737 S * 8/2018 Yokoyama D24/129
 D876,620 S * 2/2020 Ho D24/112
 D877,894 S * 3/2020 Ho D24/112
 D878,569 S * 3/2020 Reynolds D24/114
 D957,625 S * 7/2022 Reynolds D24/114
 2006/0201968 A1 9/2006 Degroff
 2010/0025342 A1* 2/2010 Morimoto A61B 5/150503
 210/236
 2016/0067413 A1 3/2016 Madin et al.
 2020/0289761 A1* 9/2020 Grigoreas A61M 5/3156
 2020/0330688 A1* 10/2020 Johnson A61M 5/3129

FOREIGN PATENT DOCUMENTS

KR 300929767.0000 * 11/2017
 WO DM/218 495 6/2022
 WO DM/223 471 9/2022

OTHER PUBLICATIONS

Debowa Vodka Excellent Syringe 40% 50cl, retrieved from Internet, retrieved on Aug. 24, 2022, <URL: <https://thedrinksorchard.co.uk/product/debowa-vodka-excellent-syringe-40-50cl/>>.

* cited by examiner

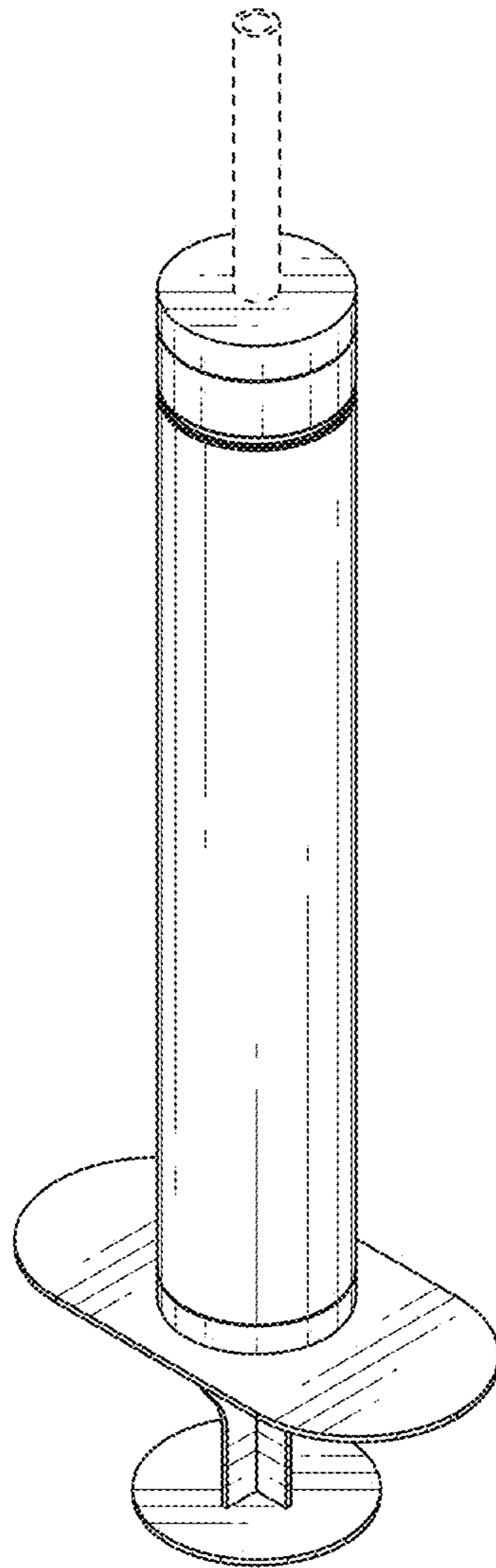


FIG. 1

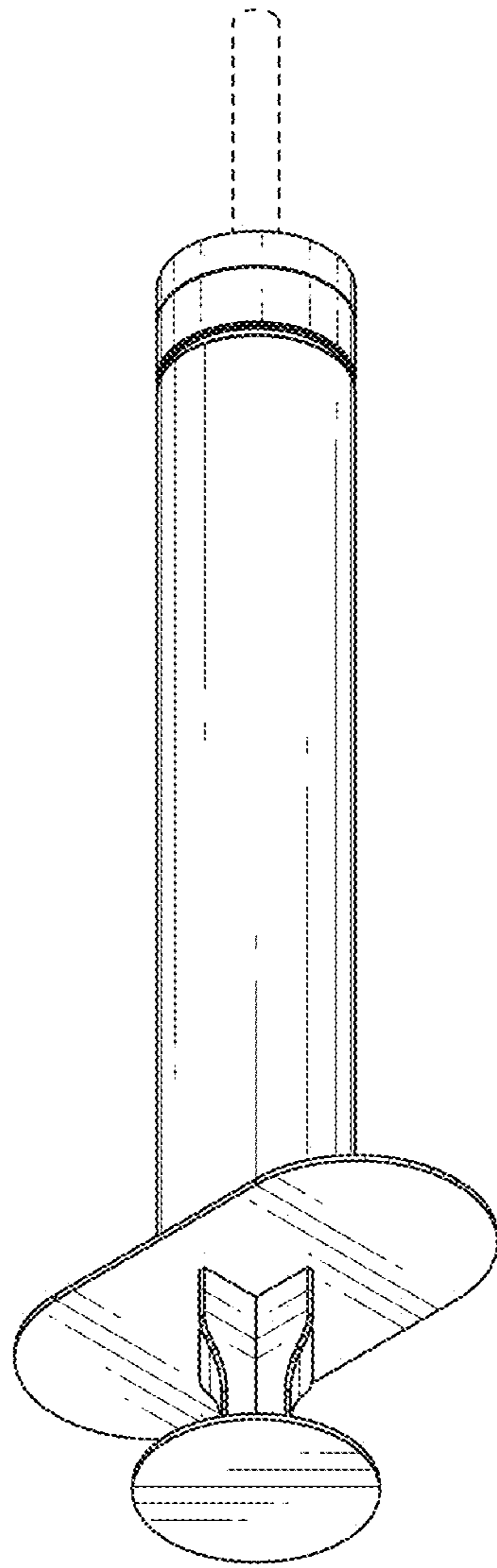


FIG. 2

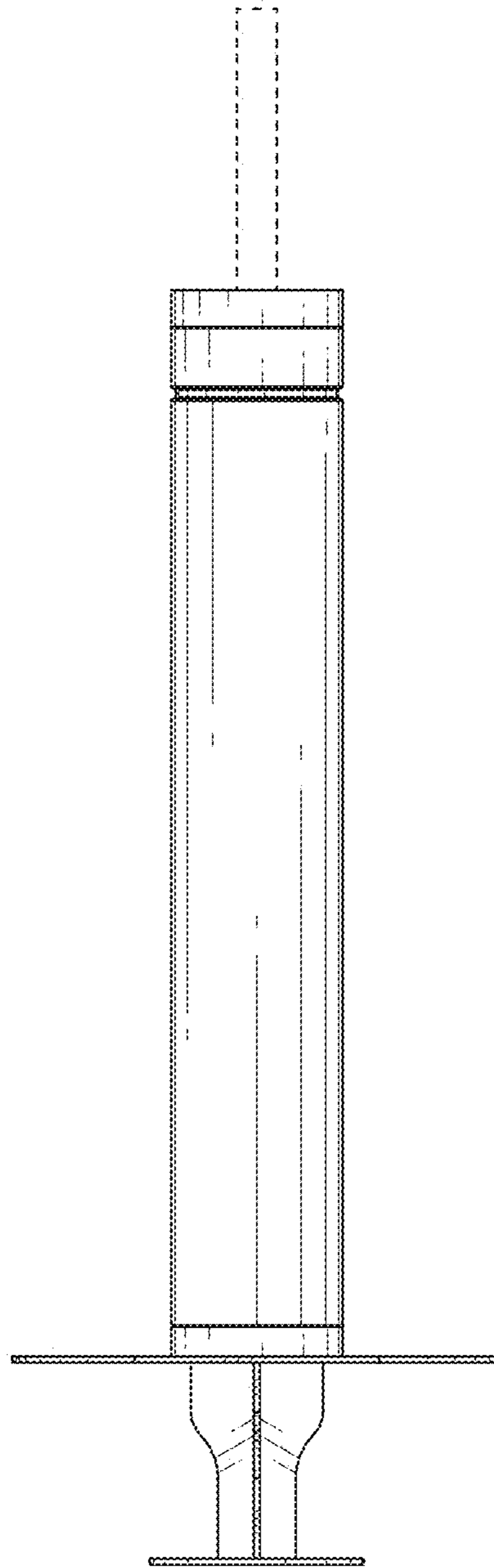


FIG. 3

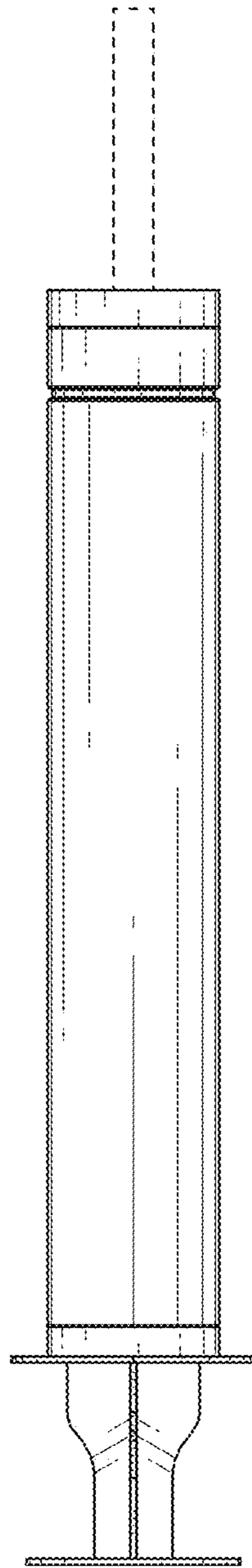


FIG. 4

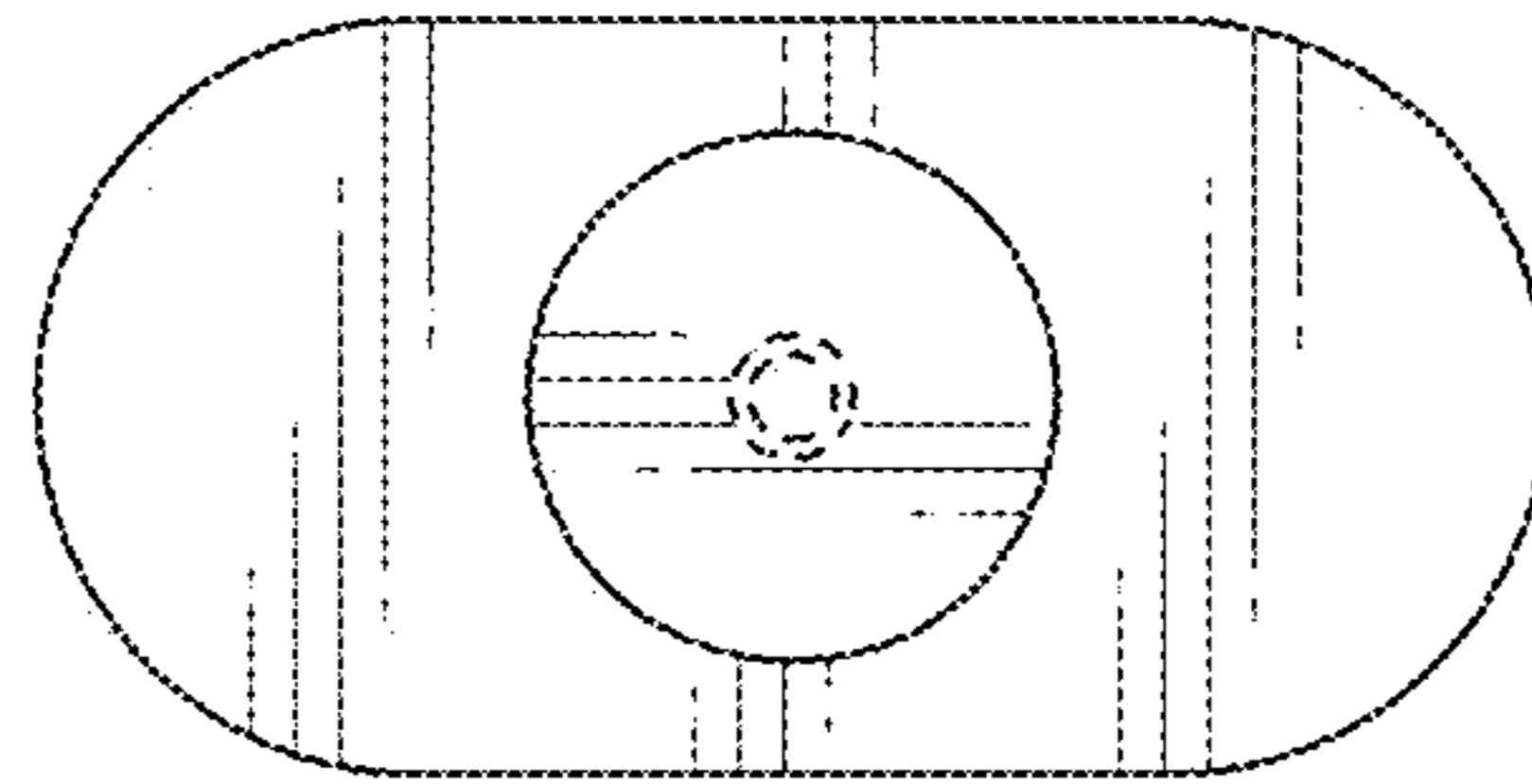


FIG. 5

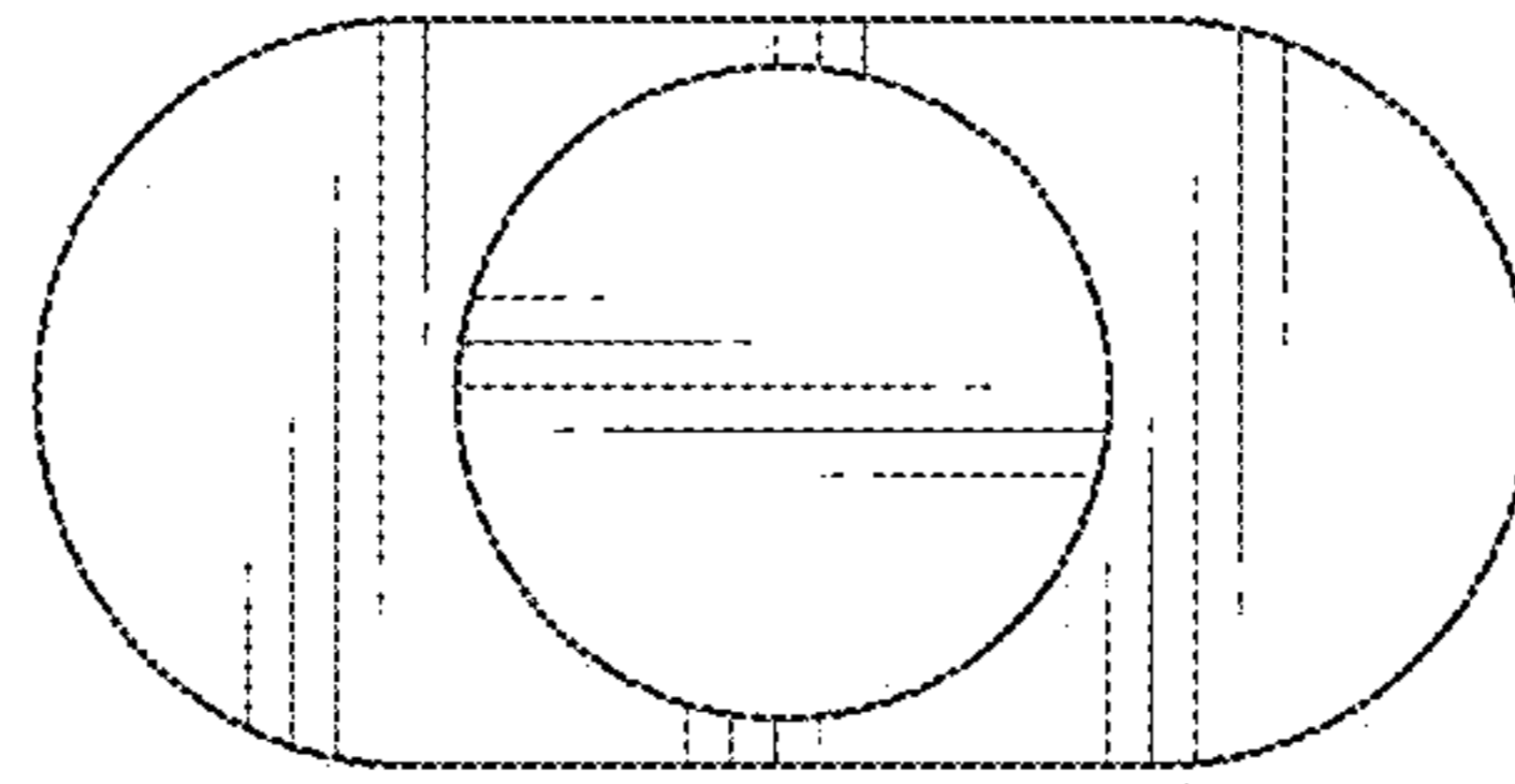


FIG. 6