



US00D982742S

(12) **United States Design Patent** (10) **Patent No.:** **US D982,742 S**
Cerqueira et al. (45) **Date of Patent:** **** Apr. 4, 2023**

(54) **PORTABLE INJECTION DEVICE** D875,925 S * 2/2020 Archat D24/127
D882,761 S * 4/2020 Cabiri A61M 5/14248
(71) Applicant: **NEMERA LA VERPILLIERE**, La D24/111
Verpillière (FR) D882,765 S * 4/2020 Farris D24/113
D884,166 S * 5/2020 Wang D24/133
(72) Inventors: **Guillaume Cerqueira**, Lyons (FR); D888,946 S * 6/2020 Green A61F 2/966
Julien Roux, Grenoble (FR); **Sébastien** D24/133
Delvalac, Lyons (FR); **Marc Todesco**, D941,996 S * 1/2022 Tani D24/113
Tignieu-Jameyzieu (FR) D942,022 S * 1/2022 Eaton D24/111
D946,750 S * 3/2022 McLusky D24/114
2004/0054326 A1 * 3/2004 Hommann F16F 1/10
604/131

(**) Term: **15 Years**

(Continued)

(21) Appl. No.: **35/513,344**

FOREIGN PATENT DOCUMENTS

(22) Filed: **Dec. 21, 2021**

EM 008596571-0001 * 6/2021

(80) **Hague Agreement Data**

OTHER PUBLICATIONS

Int. Filing Date: **Dec. 21, 2021**
Int. Reg. No.: **DM/218051**
Int. Reg. Date: **Dec. 21, 2021**
Int. Reg. Pub. Date: **Jan. 7, 2022**

BD Libertas, BD, Medtechnews.com, [Post date Feb. 12, 2020],
[Site seen Nov. 30, 2022], Seen at URL: <https://www.med-technews.com/news/bd-completes-latest-trial-for-wearable-injector/> (Year: 2020).*

(Continued)

(30) **Foreign Application Priority Data**

Primary Examiner — Natasha Vujcic
Assistant Examiner — Gilbert B Ford

Jun. 30, 2021 (EM) 008596571-0001

(51) **LOC (14) Cl.** **24-02**

(57) **CLAIM**

(52) **U.S. Cl.**
USPC **D24/113**

We claim, the ornamental design for a portable injection device, as shown and described.

(58) **Field of Classification Search**
USPC D24/112–114, 133, 186, 127–131
CPC A61M 5/3156; A61M 5/31591; A61M 5/3155; A61M 5/3157; A61M 5/31501
See application file for complete search history.

DESCRIPTION

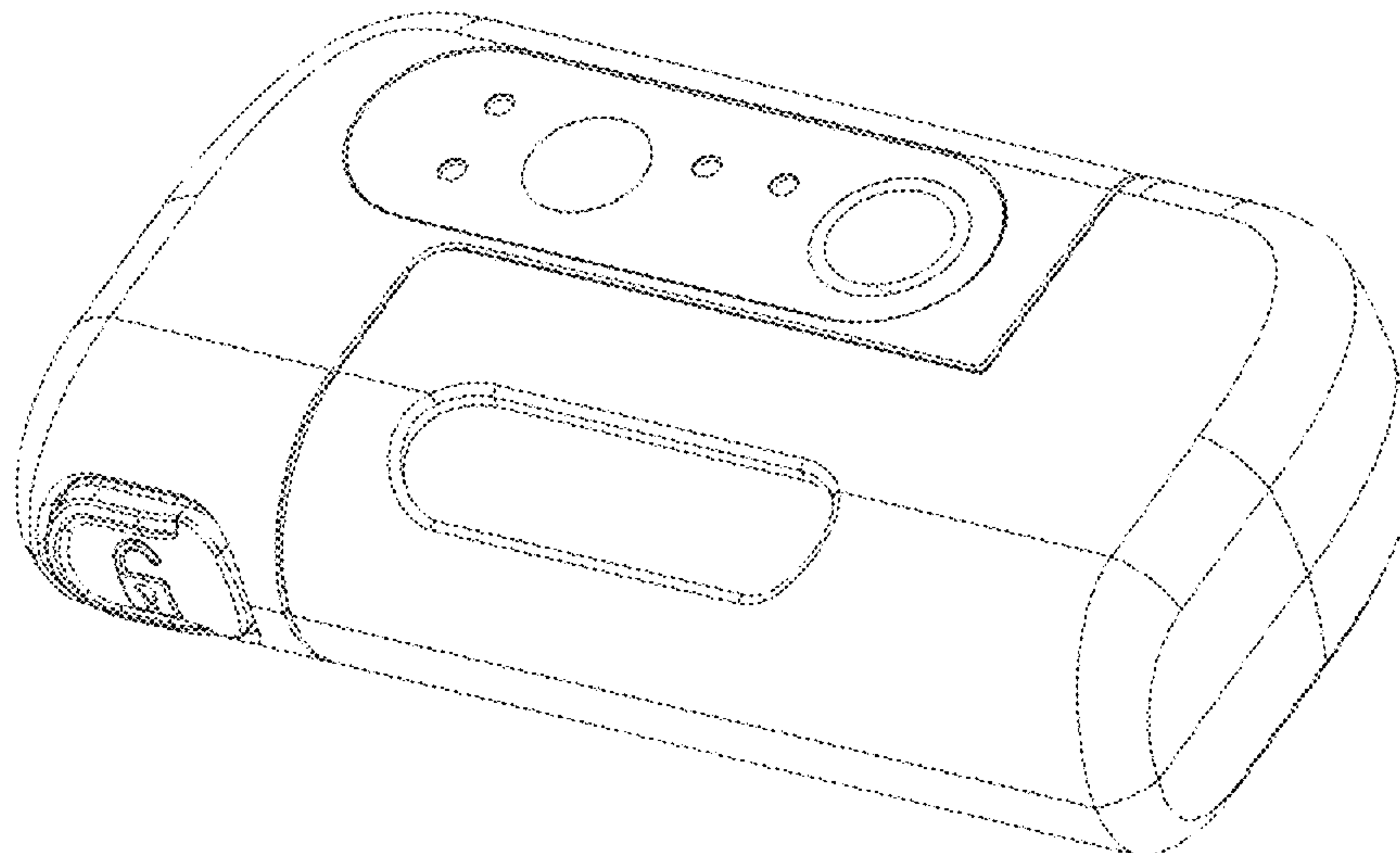
(56) **References Cited**

- 1. Portable injection device
- 1.1 : Top perspective
- 1.2 : Bottom
- 1.3 : Bottom perspective
- 1.4 : Top
- 1.5 : Back
- 1.6 : Front
- 1.7 : Left
- 1.8 : Right

U.S. PATENT DOCUMENTS

D497,428 S * 10/2004 Hayamizu D24/129
D804,019 S * 11/2017 Costello D24/113
D805,186 S * 12/2017 Costello D24/113
D805,187 S * 12/2017 Costello D24/113
D805,188 S * 12/2017 Costello D24/113
D805,189 S * 12/2017 Costello D24/113

1 Claim, 8 Drawing Sheets



(56)

References Cited

U.S. PATENT DOCUMENTS

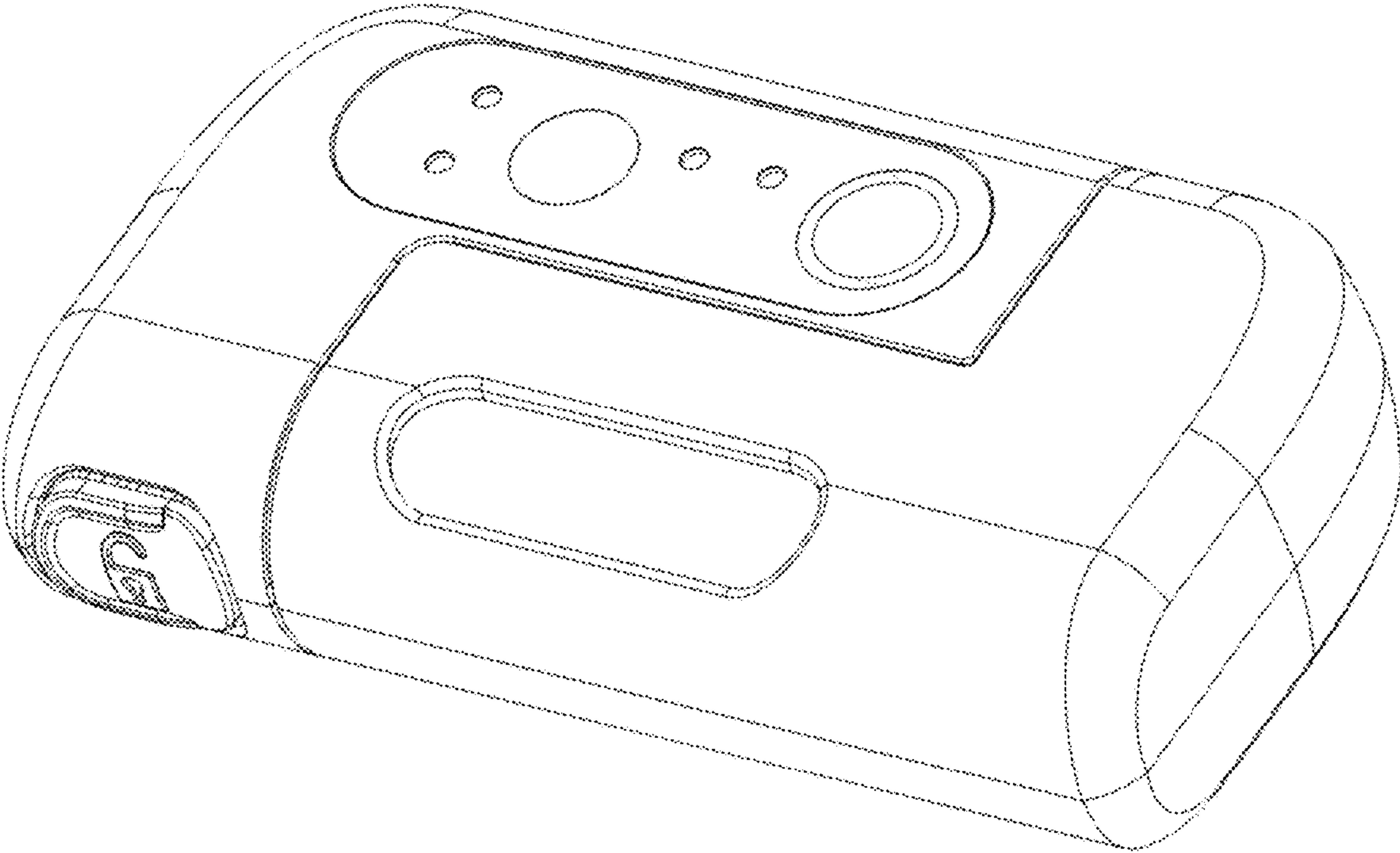
2004/0097879 A1* 5/2004 Woolston A61M 5/31511
604/154

OTHER PUBLICATIONS

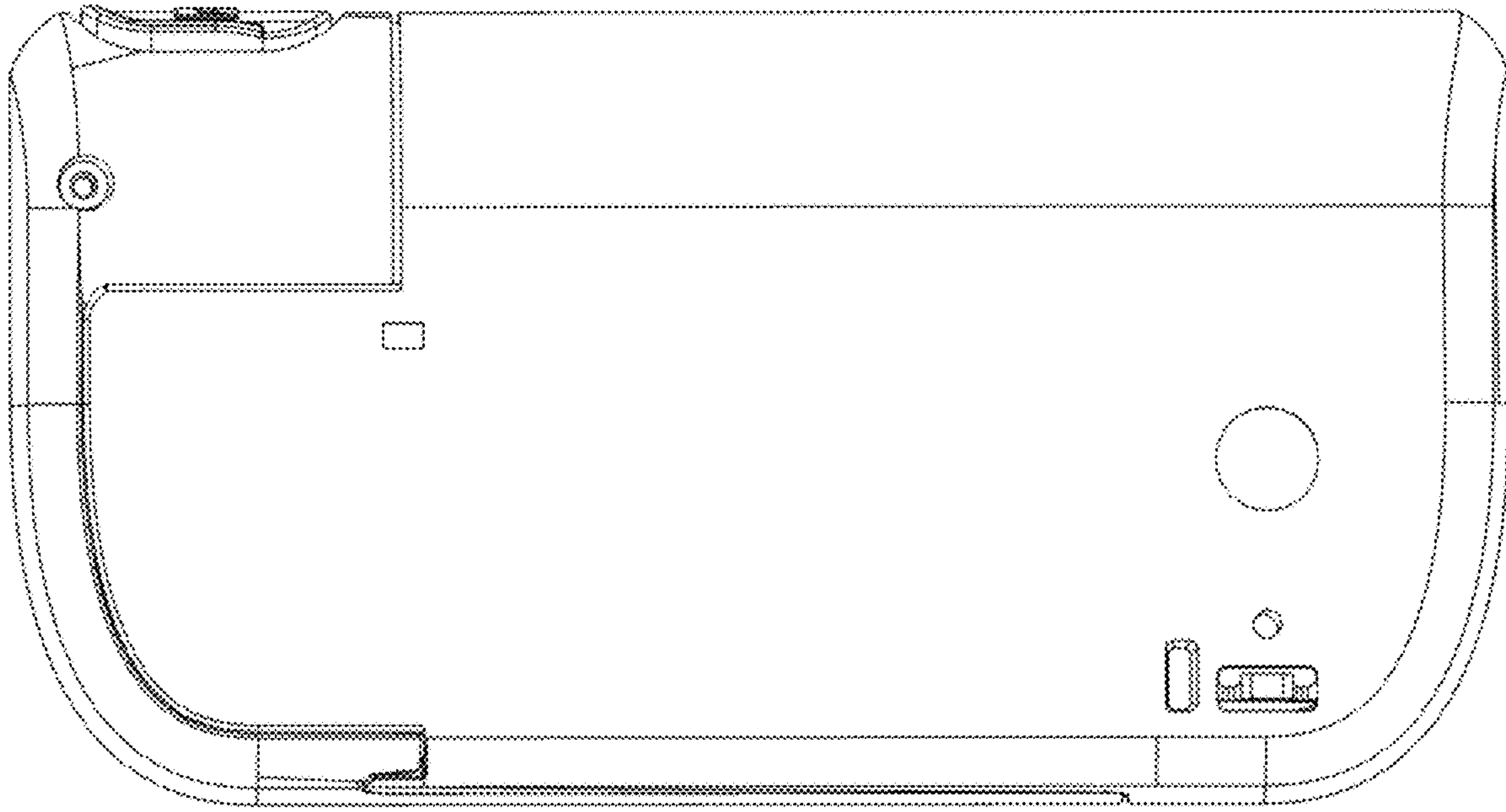
Symbioze® body injector, Namera, Frederick Furness Publishing Ltd, [Post date Sep. 1, 2022], [Site seen Nov. 30, 2022], Seen at URL: https://ondrugdelivery.com/wp-content/uploads/2022/09/137_2022_Sep_Wearables_Namera.pdf (Year: 2022).*

* cited by examiner

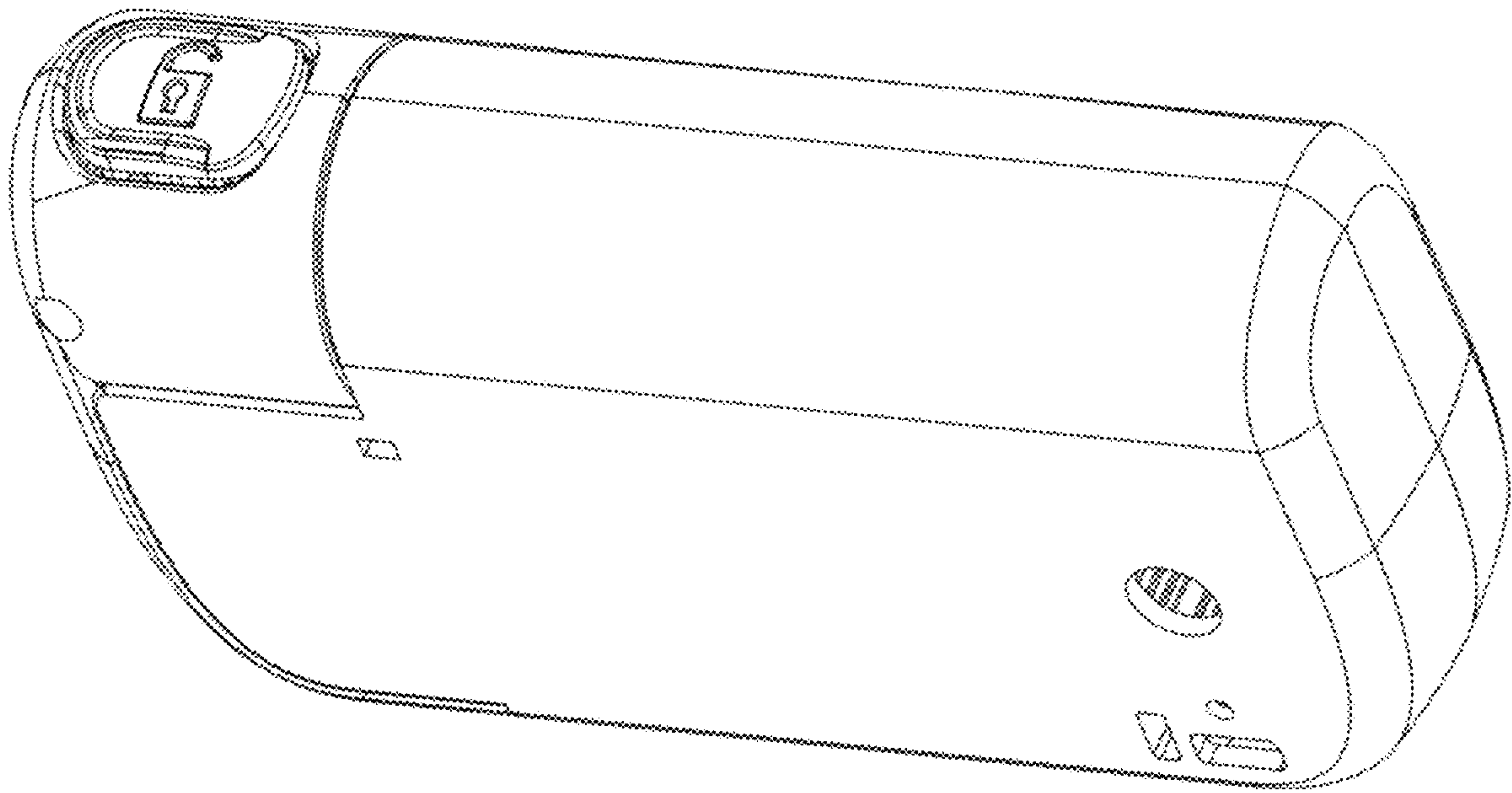
1.1



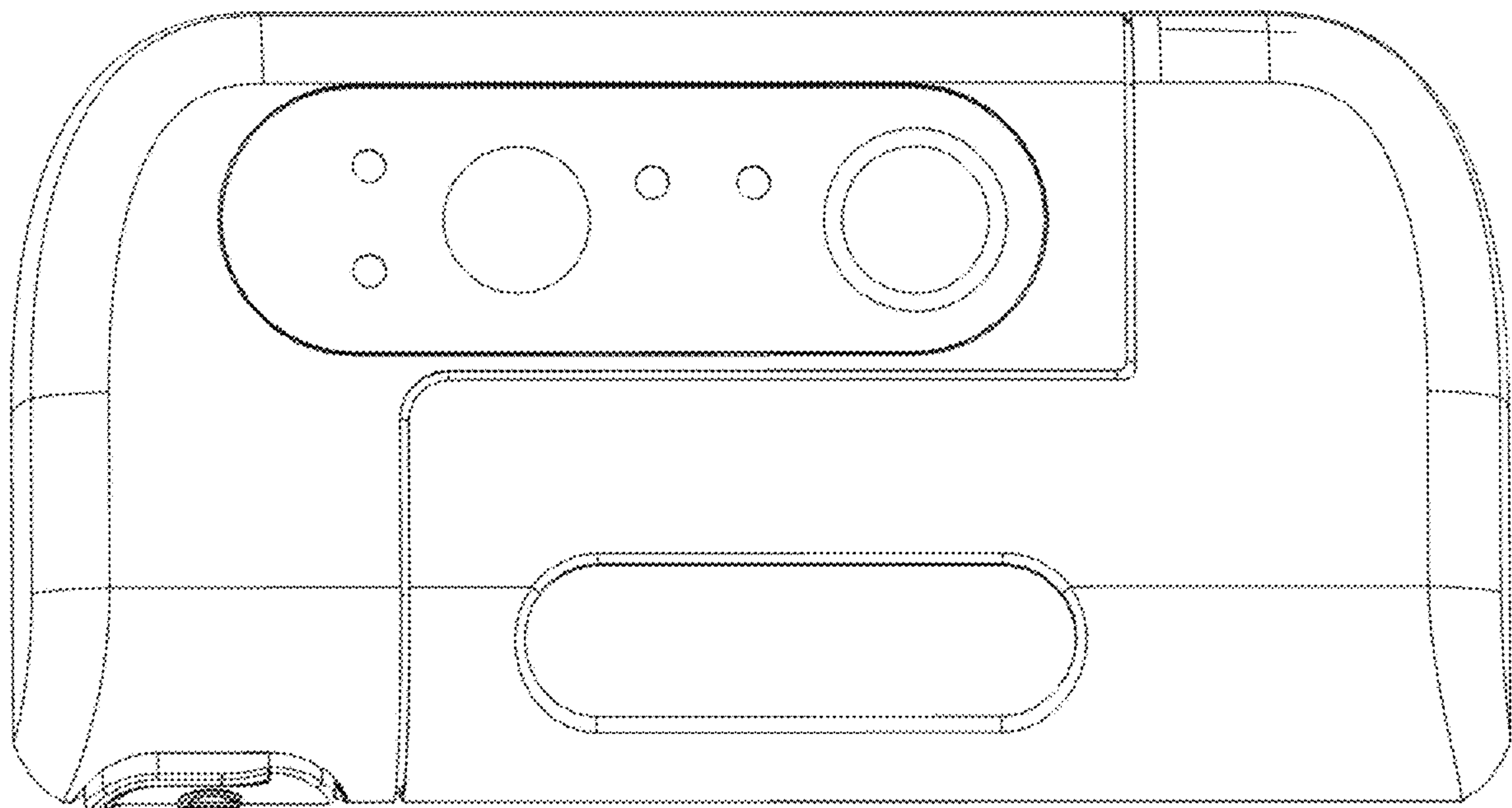
1.2



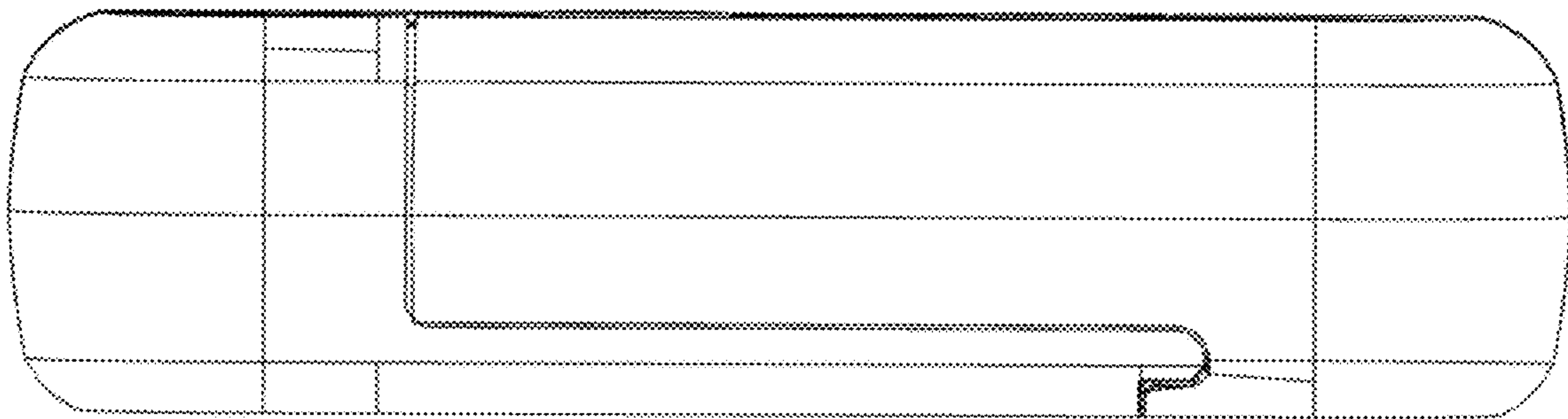
1.3



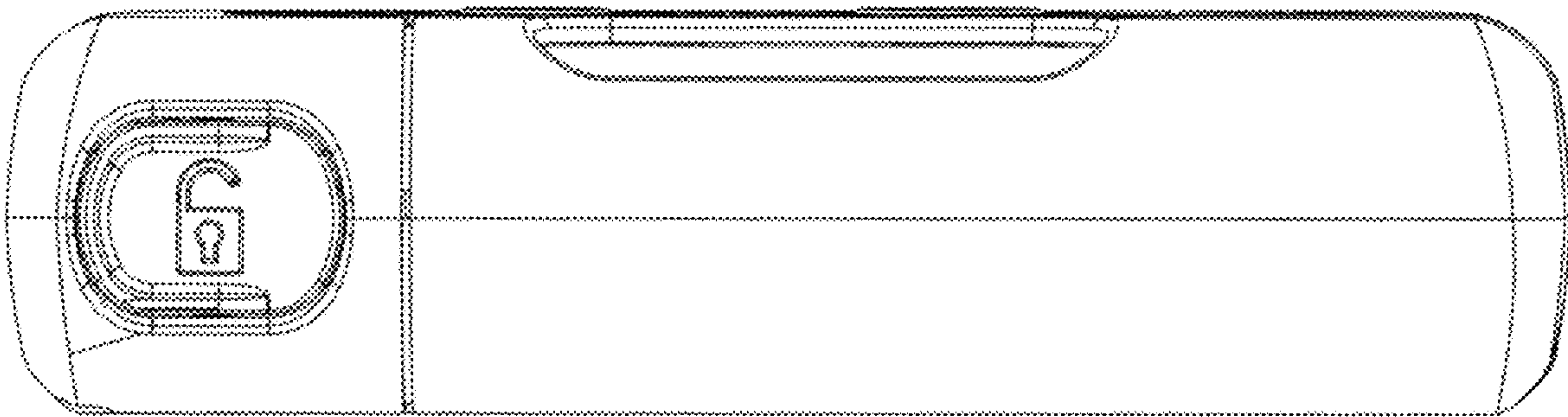
1.4



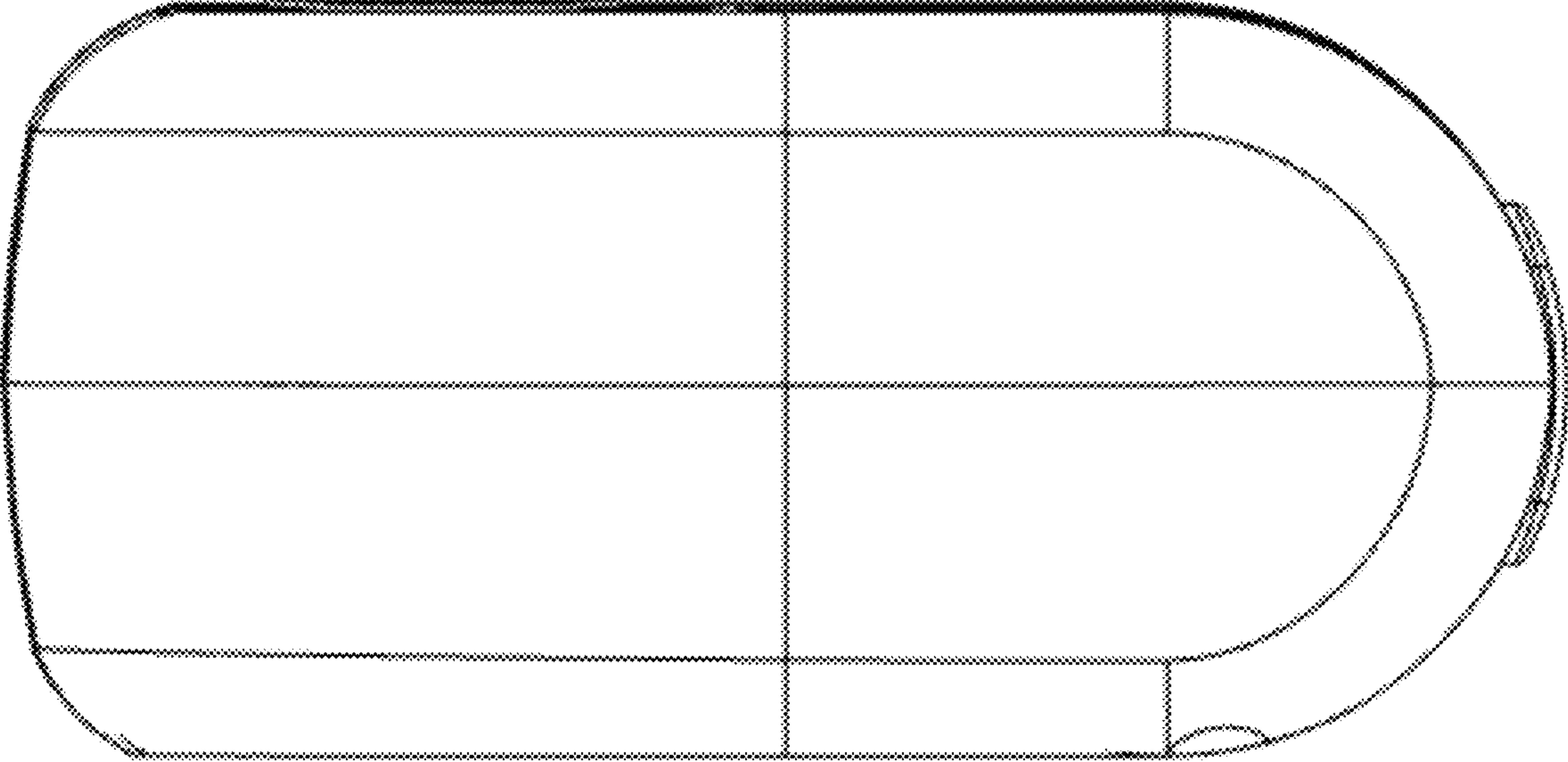
1.5



1.6



1.7



1.8

