



US00D982741S

(12) **United States Design Patent**
Lee-Sepsick et al.

(10) **Patent No.:** **US D982,741 S**
(45) **Date of Patent:** **** Apr. 4, 2023**

(54) **DELIVERY DEVICE WITH CONTROLS AND CASSETTE ASSEMBLY**

DESCRIPTION

(71) Applicant: **FEMASYS INC.**, Suwanee, GA (US)

(72) Inventors: **Kathy Lee-Sepsick**, Suwanee, GA (US); **Jeremy Sipos**, Suwanee, GA (US)

(73) Assignee: **FEMASYS INC.**, Suwanee, GA (US)

(**) Term: **15 Years**

(21) Appl. No.: **29/733,795**

(22) Filed: **May 6, 2020**

(51) **LOC (14) Cl.** **24-02**

(52) **U.S. Cl.**
USPC **D24/112; D24/113**

(58) **Field of Classification Search**
USPC D24/107, 108, 112–114, 117, 127, 129, D24/130, 133, 141, 146, 147, 186, 224;
(Continued)

(56) **References Cited**

U.S. PATENT DOCUMENTS

D369,664 S * 5/1996 Dye D24/129
D371,439 S * 7/1996 Bormann 96/6
(Continued)

OTHER PUBLICATIONS

FemBloc Problems. Facebook.com, Published: [Jul. 24, 2018], Site Visited: [Feb. 4, 2022], URL: <<https://www.facebook.com/FemBlocProblems/photos/235432867093102>>. (Year: 2018).*

(Continued)

Primary Examiner — Jonathan J Han

Assistant Examiner — Amanda J Berlinski

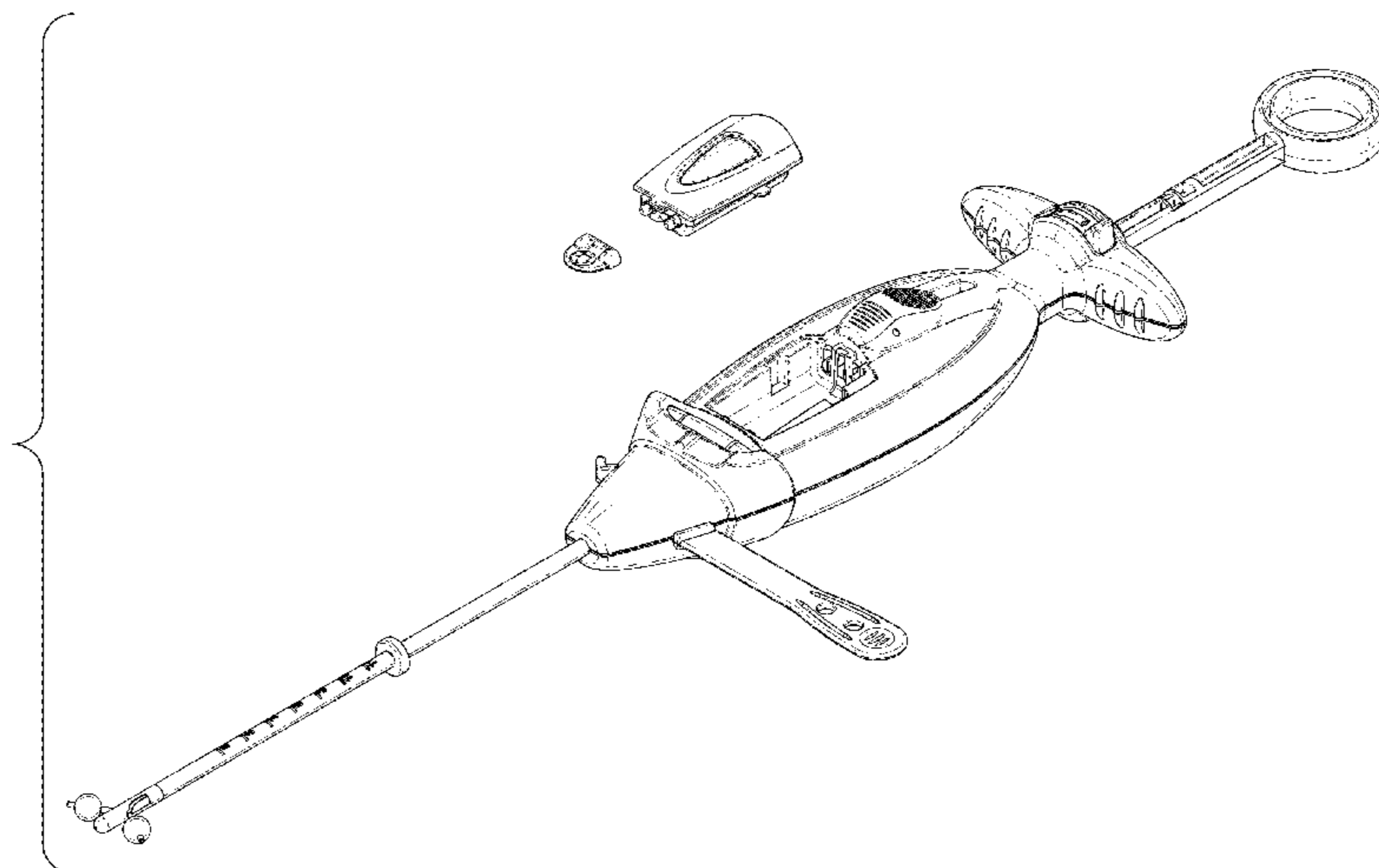
(74) *Attorney, Agent, or Firm* — Mary Anthony Merchant

(57) **CLAIM**

The ornamental design for a delivery device with controls and cassette, as shown and described.

FIG. 1 is an exploded leftward perspective view from the top of a delivery device with controls and cassette with the syringe connections cover of the cassette component attached;
FIG. 2 is an exploded rightward perspective view from the top of the device of FIG. 1 with the syringe connections cover of the cassette component unattached;
FIG. 3 is a top view of the delivery device component of FIG. 1;
FIG. 4 is a bottom view of the delivery device component of FIG. 1;
FIG. 5 is a right elevational view of the delivery device component of FIG. 1;
FIG. 6 is a left elevational view of the delivery device component of FIG. 1;
FIG. 7 is an enlarged front view of the delivery device component of FIG. 1, scaled at twice the size;
FIG. 8 is an enlarged rear view of the delivery device component of FIG. 1, scaled at twice the size;
FIG. 9 is an enlarged leftward perspective view from the top of the cassette component of FIG. 1, showing the syringe connections cover unattached;
FIG. 10 is an enlarged rightward perspective view from the top of the cassette component of FIG. 1, showing the syringe connections cover unattached;
FIG. 11 is an enlarged top view of the cassette component of FIG. 1, showing the syringe connections cover unattached;
FIG. 12 is an enlarged bottom view of the cassette component of FIG. 1, showing the syringe connections cover unattached;
FIG. 13 is an enlarged front view of the cassette component of FIG. 1, showing the syringe connections cover unattached;
FIG. 14 is an enlarged rear view of the cassette component of FIG. 1, showing the syringe connections cover unattached;
FIG. 15 is an enlarged right elevational view of the cassette component of FIG. 1, showing the syringe connections cover unattached; and,
FIG. 16 is an enlarged left elevational view of the cassette component of FIG. 1, showing the syringe connections cover unattached.

(Continued)



A characteristic feature of the design resides in the control elements of the handle and the removable cassette comprising containers.

The dash-dash broken lines shown in the figures depict portions of the device that form no part of the claimed design. The dash-dash broken lines in the drawings define the bounds of the claimed design and form no part thereof.

1 Claim, 9 Drawing Sheets

(58) **Field of Classification Search**

USPC D23/259, 260, 262, 265; D27/162, 167, D27/194
 CPC .. A61F 6/18; A61F 6/144; A61F 6/142; A61F 6/14; A61F 6/22; A61M 31/00; A61M 31/005; A61B 17/43

See application file for complete search history.

(56) **References Cited**

U.S. PATENT DOCUMENTS

D493,526 S * 7/2004 Hwang A61M 5/3134 D24/130
 D497,426 S * 10/2004 Hirsch D24/129
 D501,915 S * 2/2005 Roesch D23/259
 D543,626 S * 5/2007 Watschke D24/147
 D575,395 S * 8/2008 Hushka D24/146
 7,465,288 B2 * 12/2008 Dudney A61M 25/0136 604/95.04
 D598,543 S * 8/2009 Vogel D24/147
 D629,515 S * 12/2010 Laurence D24/130
 D660,957 S * 5/2012 Lee-Sepsick D24/112
 D709,184 S * 7/2014 Lee-Sepsick A61M 5/3134 D24/112
 D714,436 S * 9/2014 Lee-Sepsick D24/112
 D726,908 S * 4/2015 Yu D24/130

D733,289 S * 6/2015 Blanchard A61M 25/0102 D24/112
 D740,410 S * 10/2015 Korkuch D24/112
 D759,246 S * 6/2016 Allen D24/146
 D834,181 S * 11/2018 Lee-Sepsick D24/112
 D838,366 S * 1/2019 Lewis D24/129
 D844,777 S * 4/2019 Combes G09B 23/28 D24/114
 D872,258 S * 1/2020 Guo A61M 5/19 D24/114
 D877,890 S * 3/2020 Xie D24/112
 D891,611 S * 7/2020 Valentin A61L 24/0015 D24/114
 D903,100 S * 11/2020 Stats A61M 15/08 D24/112
 10,898,689 B2 * 1/2021 Holt A61M 5/3134
 D912,805 S * 3/2021 Lee-Sepsick A61M 5/3134 D24/114
 D940,298 S * 1/2022 Hearn D27/162
 2012/0116217 A1 * 5/2012 Lee-Sepsick A61M 5/00 600/431
 2014/0024934 A1 * 1/2014 Lee-Sepsick A61B 17/43 600/35
 2016/0217707 A1 * 7/2016 Jutila G09B 23/28
 2018/0333564 A1 * 11/2018 Chandler A61B 1/06
 2019/0336325 A1 * 11/2019 Lee-Sepsick A61L 24/0015
 2022/0032021 A1 * 2/2022 Shahaf A61M 15/08

OTHER PUBLICATIONS

Femasys [@FemasysInc]. “The Main Line Fertility Clinical Research Team is excited to partner with Femasys Inc. to help support their work in transforming women’s healthcare with minimally invasive, non-surgical, in-office product technologies.” # WomensHealth #Infertility \$FEMY”, Twitter.com, Published: [Jun. 23, 2021], Site Visited: [Feb. 4, 2022], URL: <<https://twitter.com/FemasysInc/status/1407723993512169479>>. (Year: 2021).*

* cited by examiner

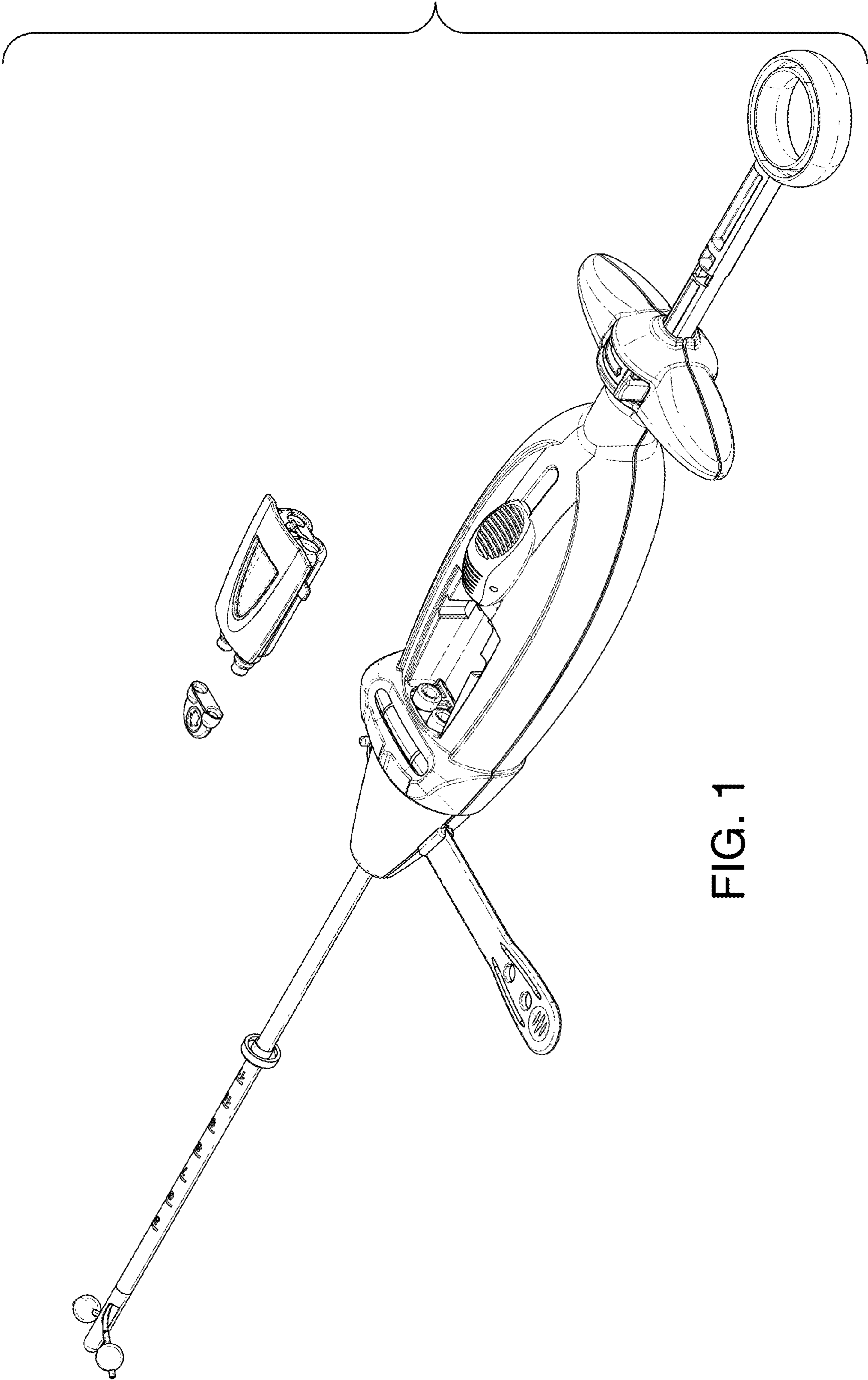


FIG. 1

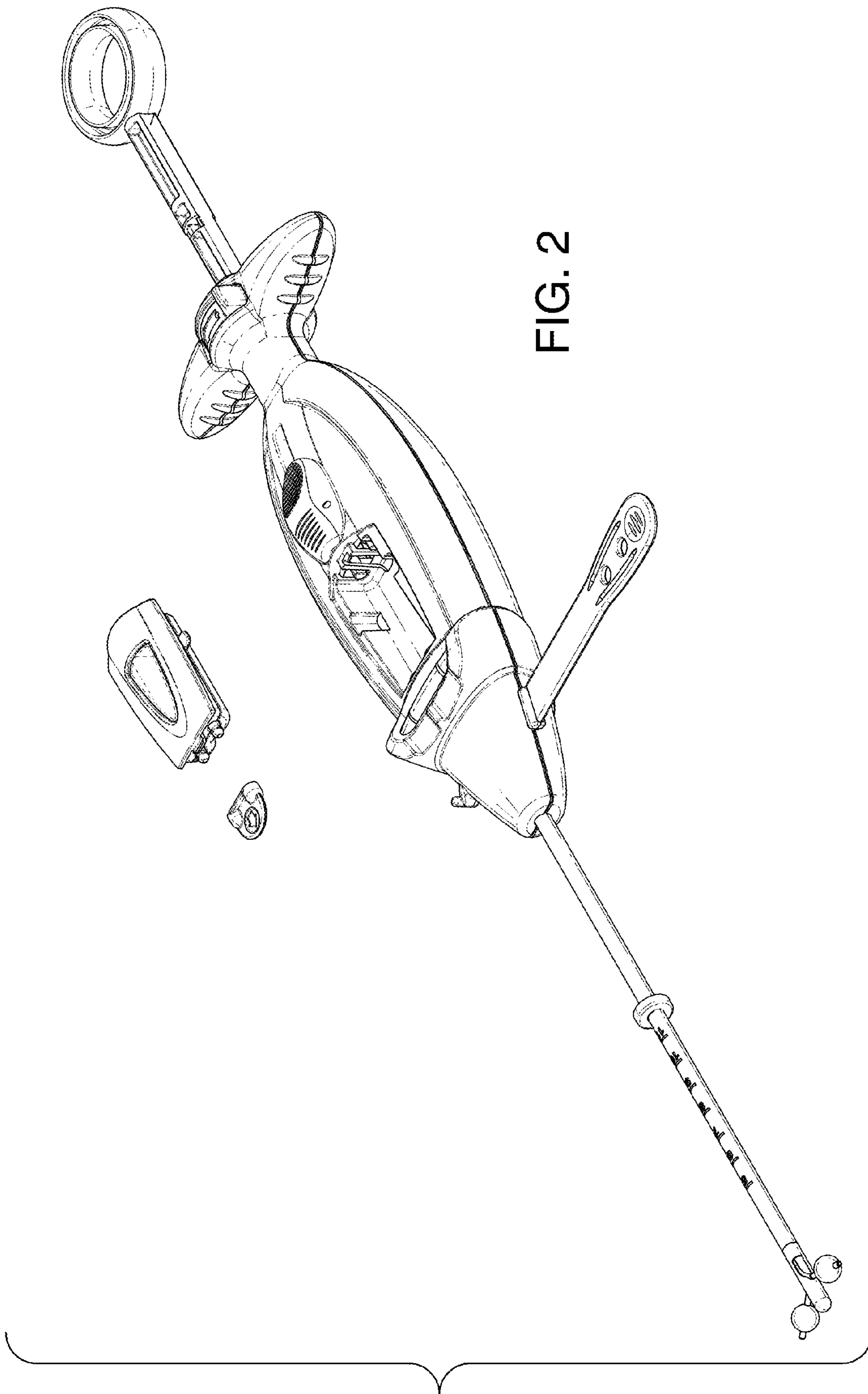


FIG. 2

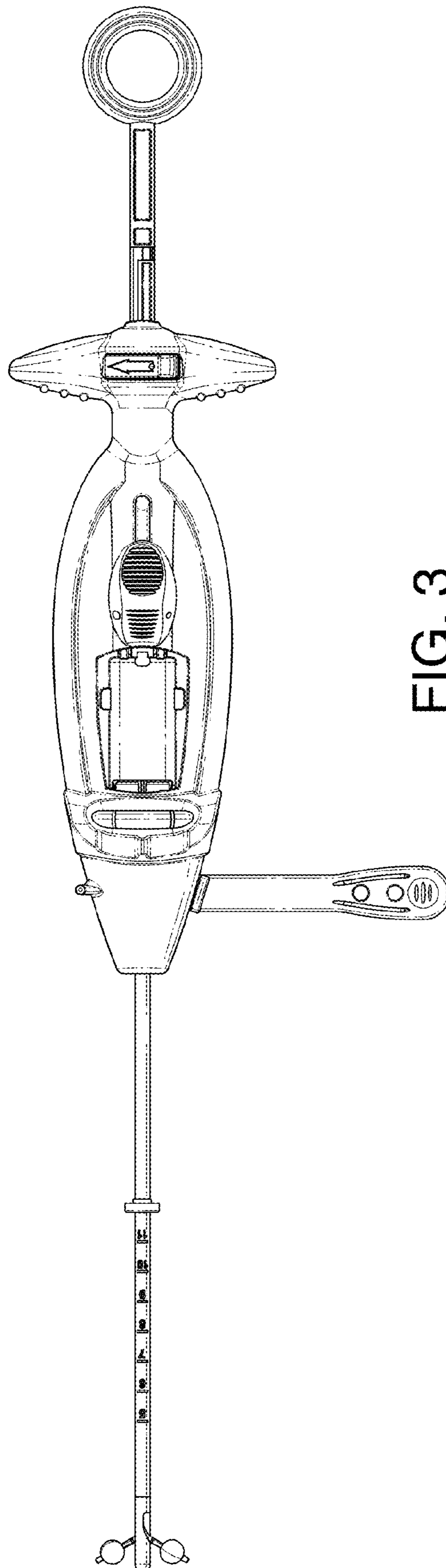


FIG. 3

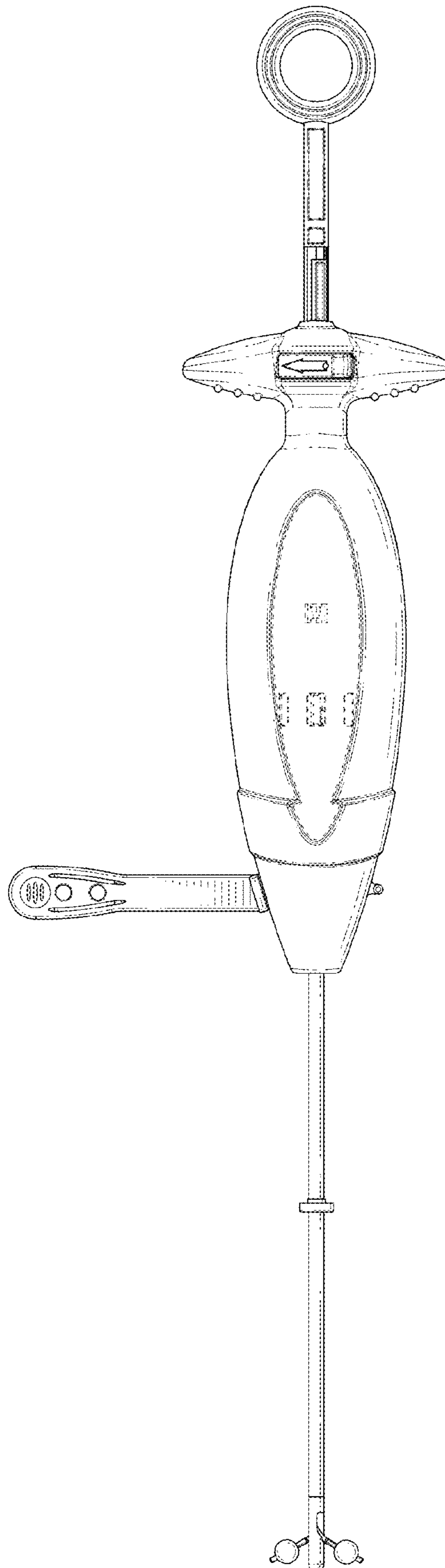


FIG. 4

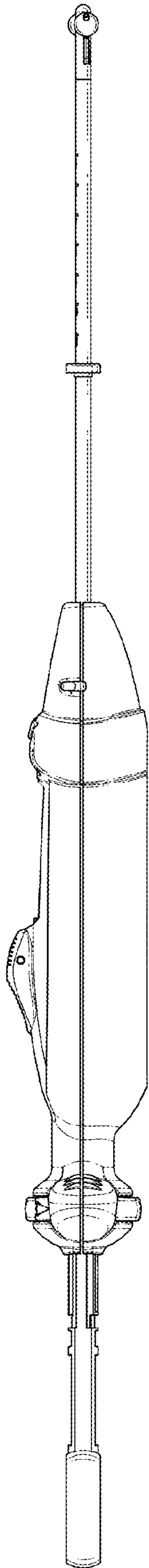


FIG. 5

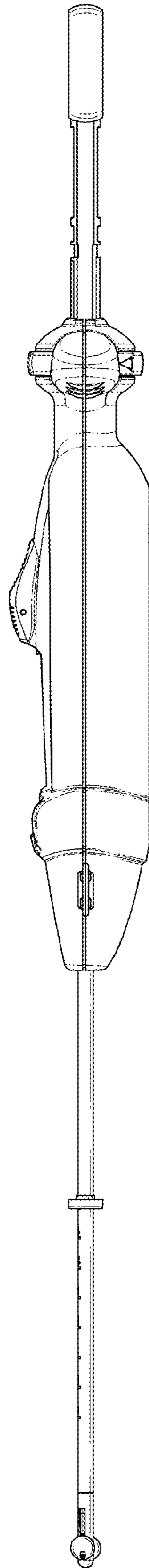
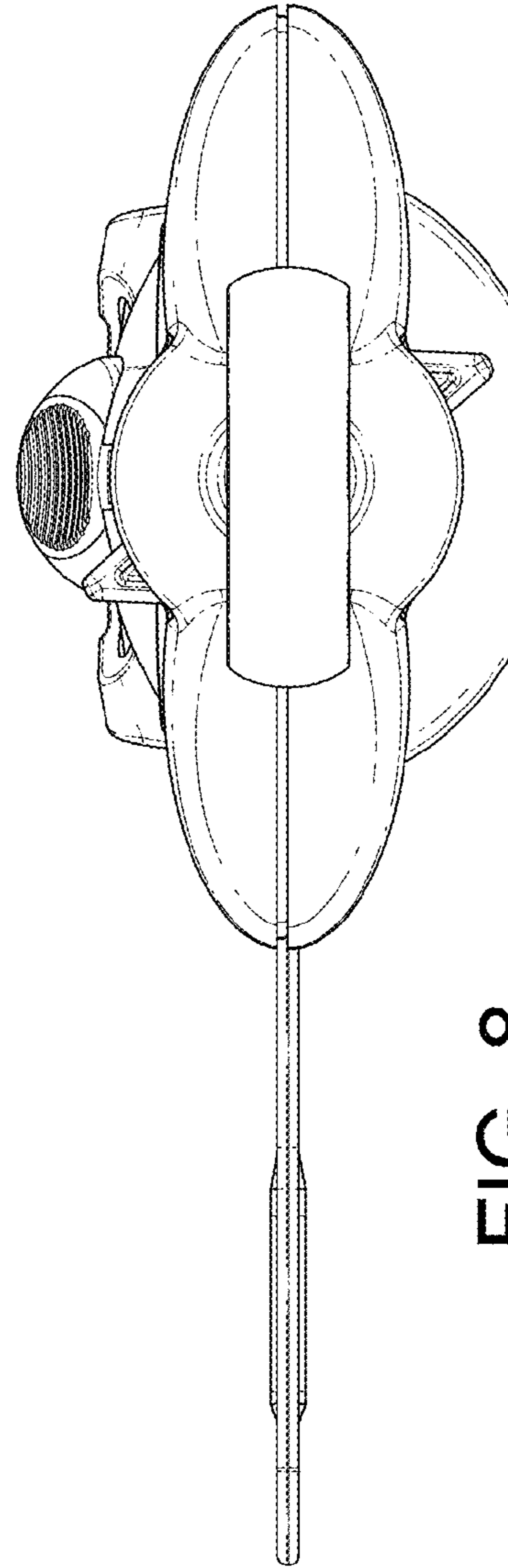
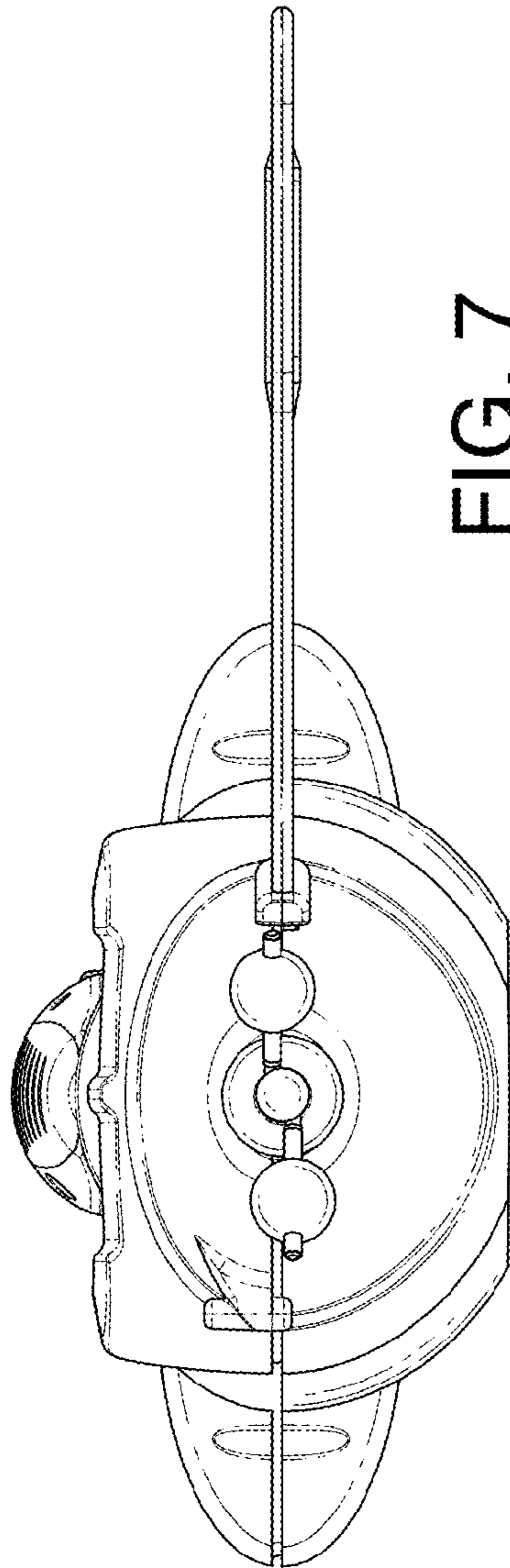


FIG. 6



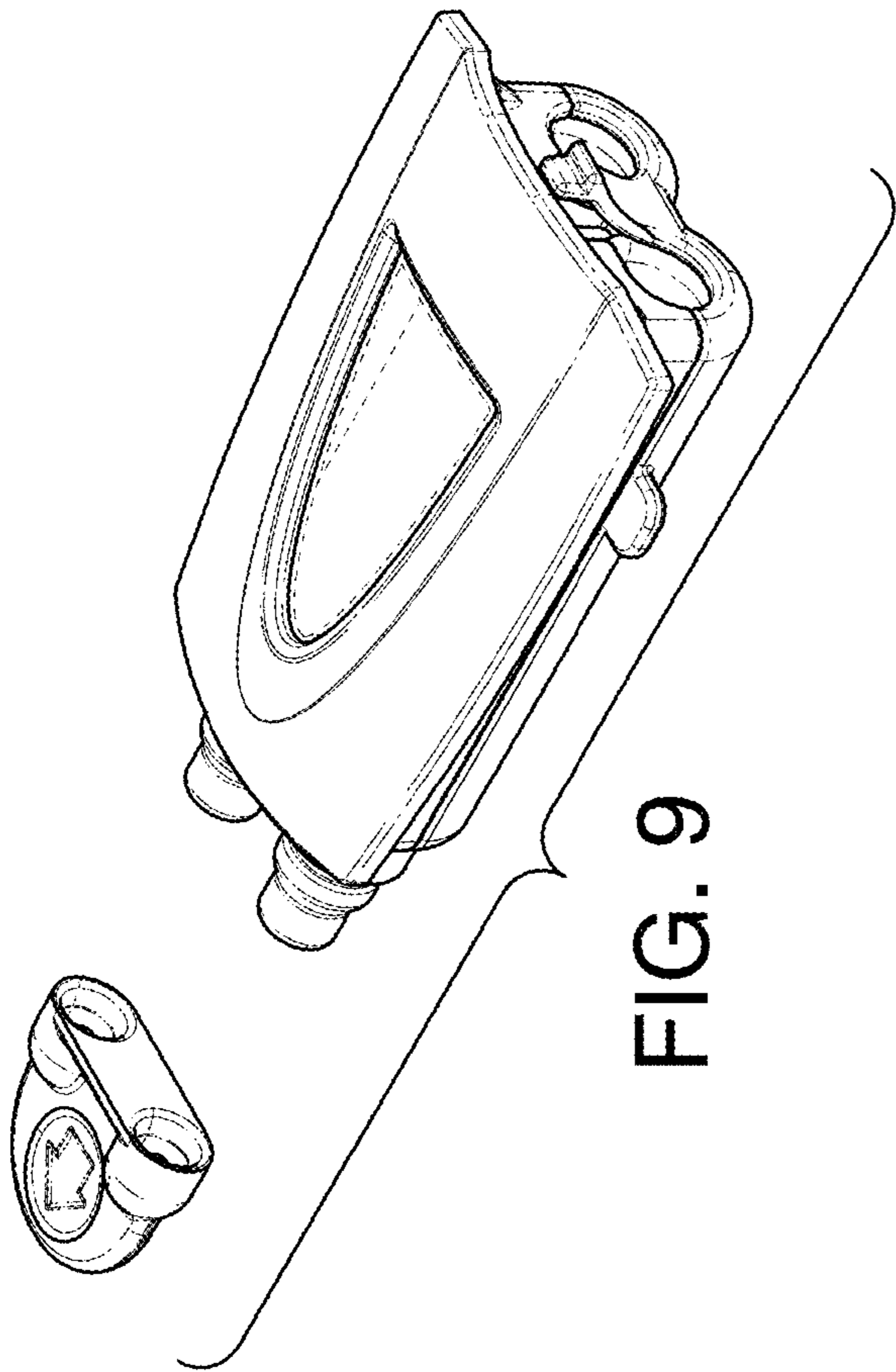


FIG. 9

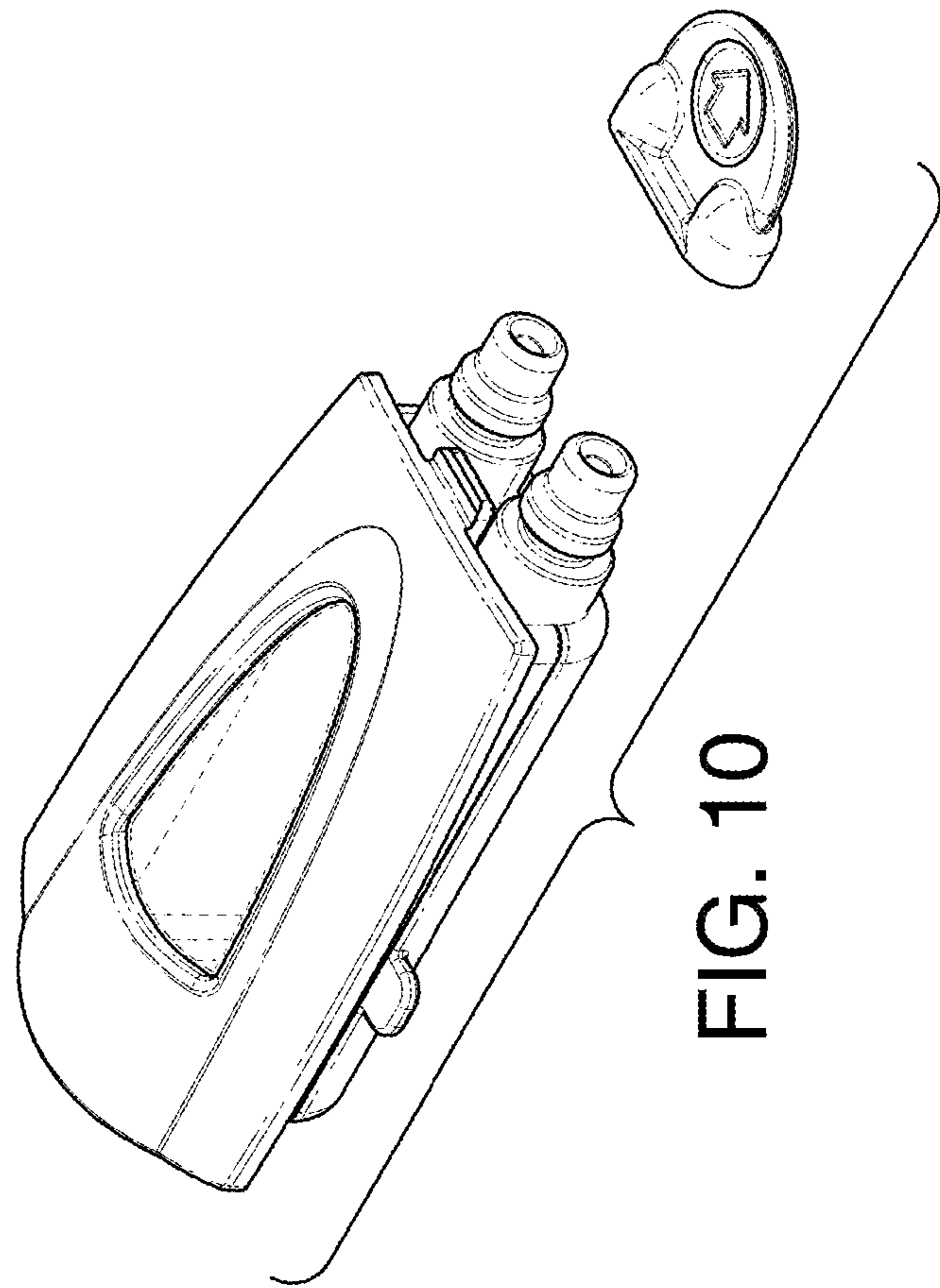


FIG. 10

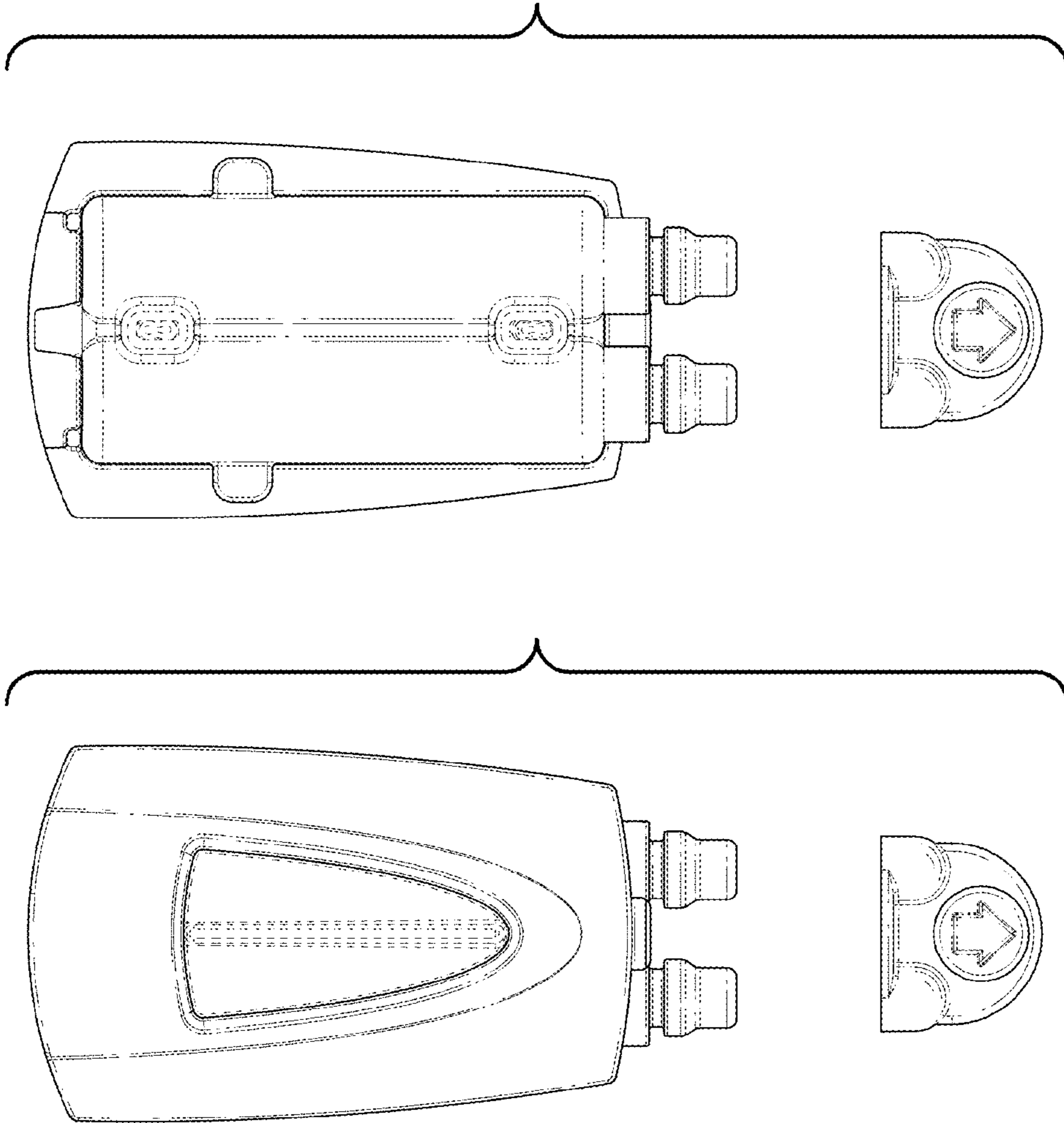


FIG. 11

FIG. 12

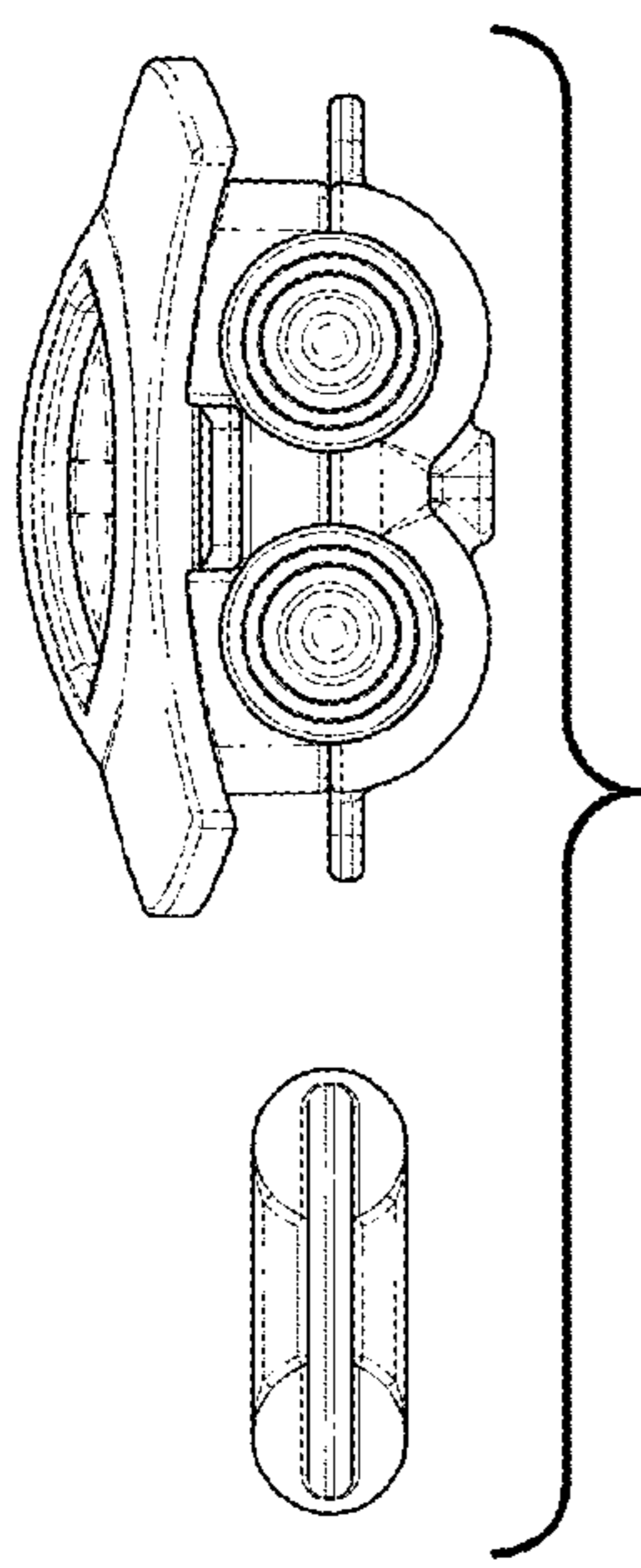


FIG. 13

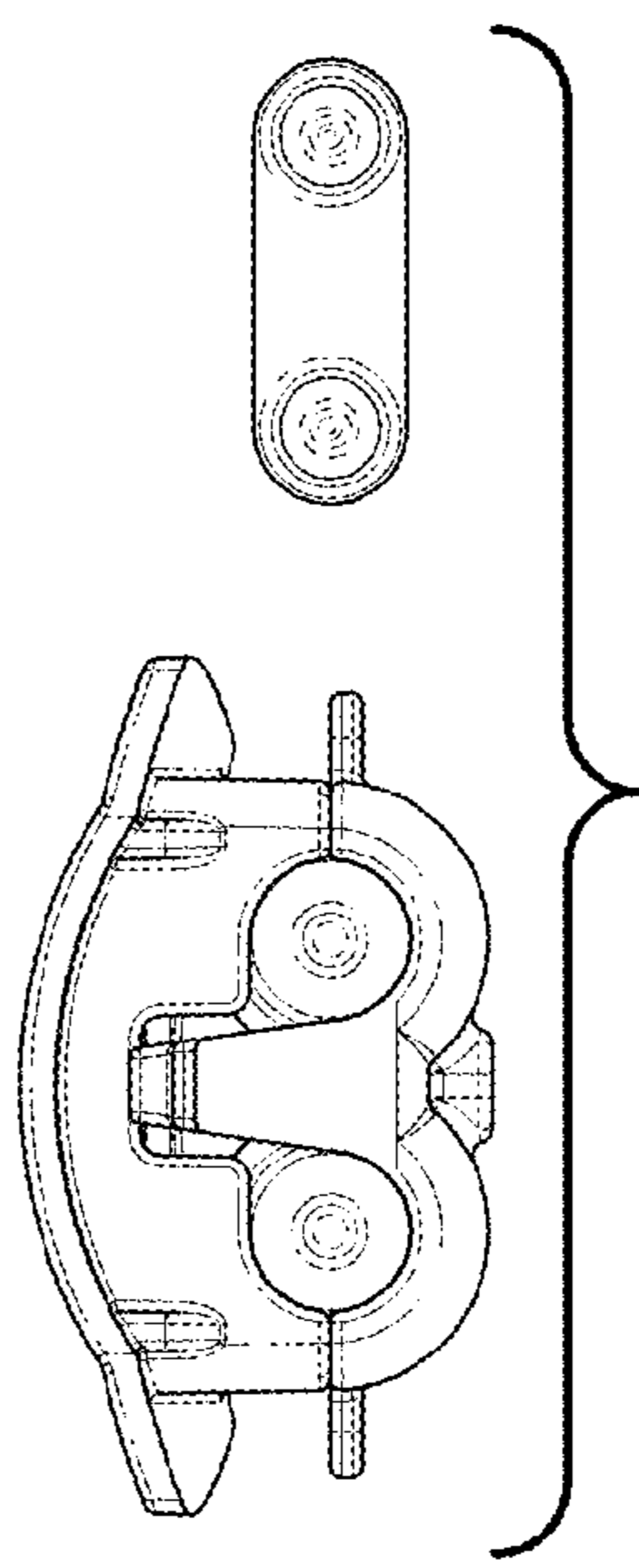


FIG. 14

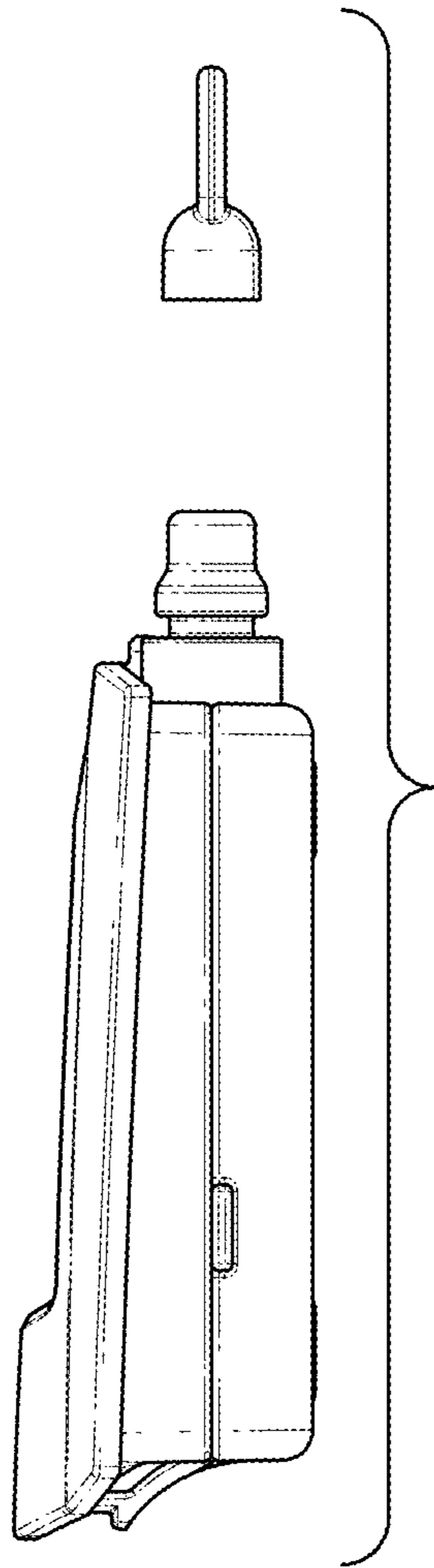


FIG. 15

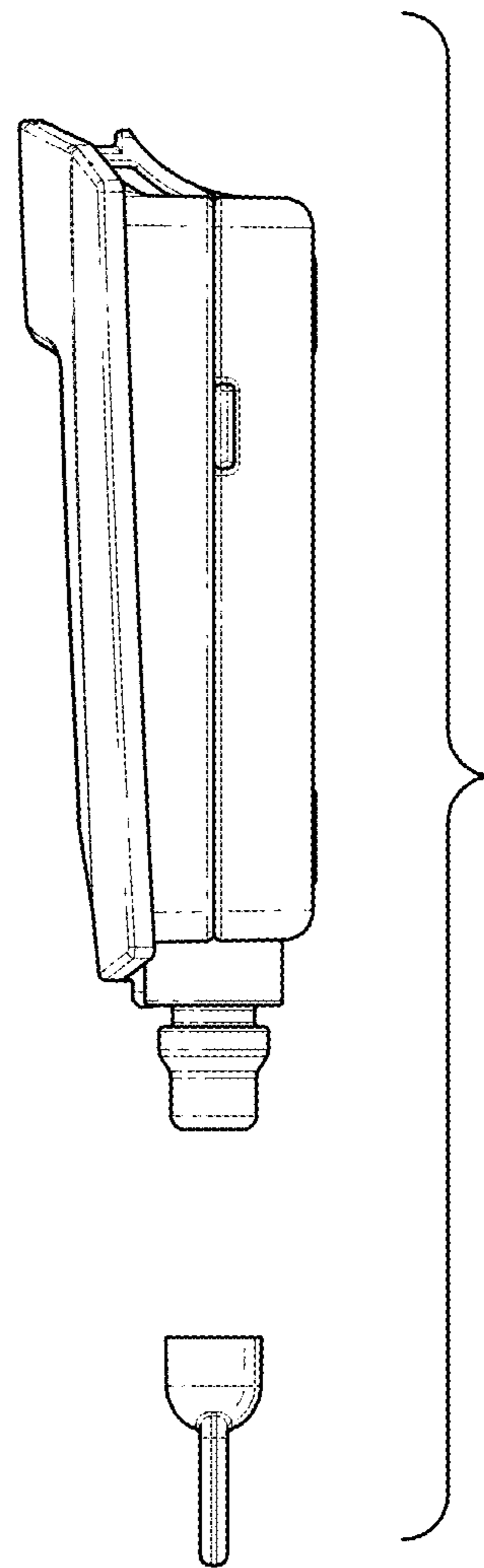


FIG. 16