



US00D982738S

(12) **United States Design Patent** (10) **Patent No.:** **US D982,738 S**  
**Vis** (45) **Date of Patent:** **\*\* Apr. 4, 2023**

(54) **SNORKEL MASK COMMUNICATION TUBE**

(71) Applicant: **DECATHLON**, Villeneuve d'Ascq (FR)

(72) Inventor: **Raphaël Vis**, Hendaye (FR)

(73) Assignee: **DECATHLON**, Villeneuve d'Ascq (FR)

(\*\*) Term: **15 Years**

(21) Appl. No.: **29/836,200**

(22) Filed: **Apr. 25, 2022**

D863,543 S *	10/2019	Hu	.....	D24/110.2
D870,267 S *	12/2019	Lin	.....	D24/110.2
D871,570 S *	12/2019	Pang	.....	D24/110.2
D875,923 S *	2/2020	Cai	.....	D24/110.2
D878,547 S *	3/2020	Hu	.....	D24/110.2
D925,728 S *	7/2021	Chen	.....	D24/110.2
D929,570 S *	8/2021	Liao	.....	D24/110.2
D930,818 S *	9/2021	Lin	.....	D24/110.2
2018/0297676 A1 *	10/2018	Zheng	.....	B63C 11/16
2019/0039702 A1 *	2/2019	Gamberini	.....	B63C 11/26
2020/0031441 A1 *	1/2020	YiHong	.....	B63C 11/16
2020/0094928 A1 *	3/2020	Song	.....	B63C 11/16
2020/0102059 A1 *	4/2020	Wung	.....	B63C 11/16
2020/0189700 A1 *	6/2020	Vaccaro	.....	B63C 11/16
2021/0086882 A1 *	3/2021	Grimaldi	.....	A63B 33/00
2021/0129958 A1 *	5/2021	Sorigue	.....	B63C 11/16

\* cited by examiner

**Related U.S. Application Data**

(60) Continuation of application No. 29/773,442, filed on Mar. 9, 2021, and a division of application No. 29/650,708, filed on Jun. 8, 2018, now Pat. No. Des. 944,972.

**Foreign Application Priority Data**

(30) Dec. 11, 2017 (EM) ..... 004542322

(51) **LOC (14) Cl.** ..... **29-02**

(52) **U.S. Cl.**  
USPC ..... **D24/110.2; D24/110.4**

(58) **Field of Classification Search**  
USPC ..... D24/110, 110.1–110.5, 127, 129;  
D29/102, 106–108, 110; D21/803, 804  
CPC ..... B63C 11/12; B63C 11/16; B63C 11/186;  
B63C 11/205  
See application file for complete search history.

**References Cited**

**U.S. PATENT DOCUMENTS**

D851,747 S *	6/2019	Hu	.....	D24/110
D852,265 S *	6/2019	Liao	.....	D24/110.2
D859,642 S *	9/2019	Xiong	.....	D24/110.2

*Primary Examiner* — Daniel J Domino

*Assistant Examiner* — Lee D. Starr

(74) *Attorney, Agent, or Firm* — Fross, Zelnick, Lehrman & Zissu PC; Charles T. J. Weigell, Esq.

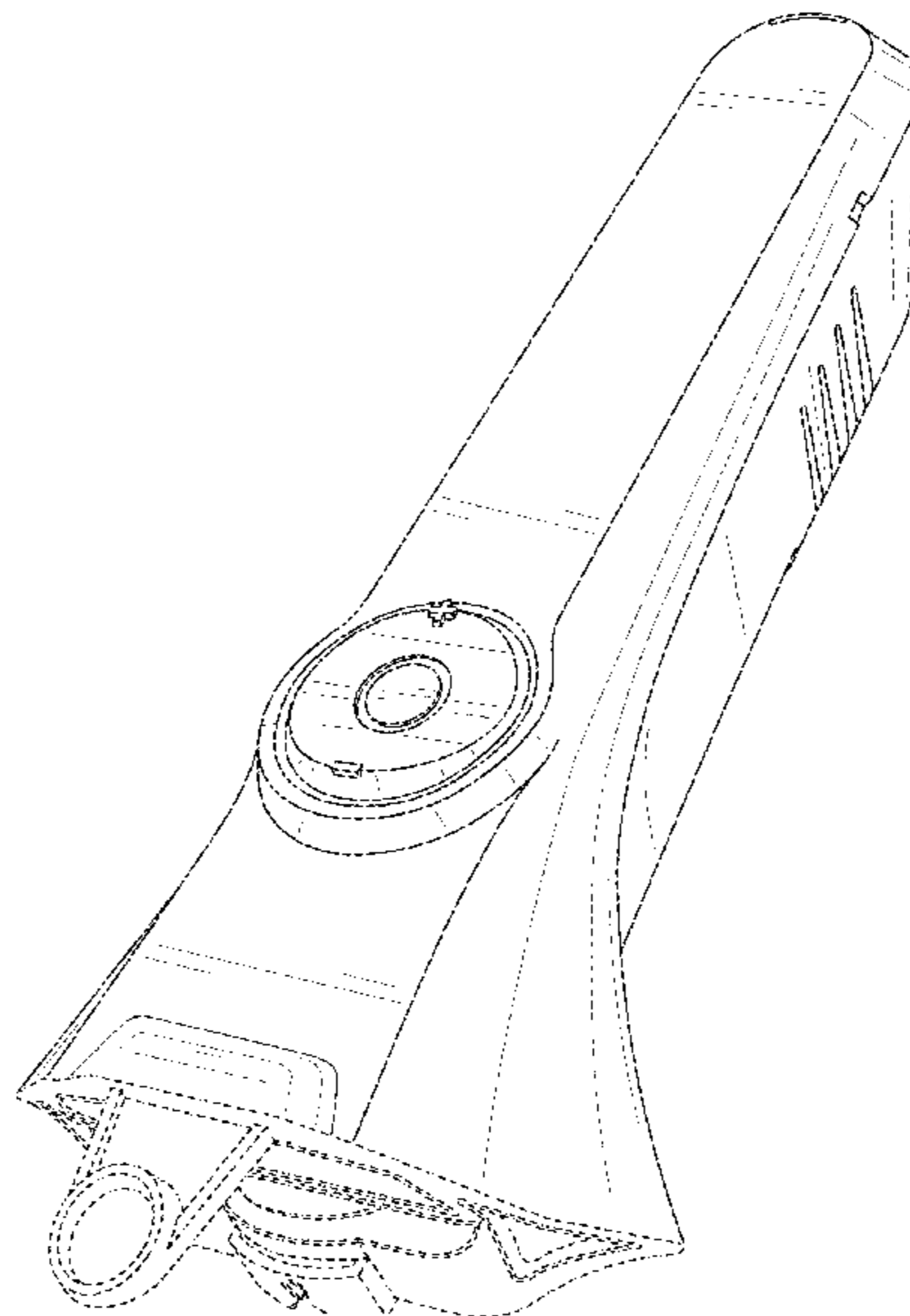
(57) **CLAIM**

The ornamental design for a snorkel mask communication tube, as shown and described.

**DESCRIPTION**

FIG. 1 is a top perspective view of a snorkel mask communication tube showing my new design; FIG. 2 is a top view thereof; FIG. 3 is a bottom view thereof; FIG. 4 is a right side view thereof; FIG. 5 is a left side view thereof; FIG. 6 is a front view thereof; FIG. 7 is a back view thereof; and, FIG. 8 is a bottom perspective view thereof. The broken lines in the drawings depict portions of the snorkel mask communication tube that form no part of the claimed design.

**1 Claim, 6 Drawing Sheets**



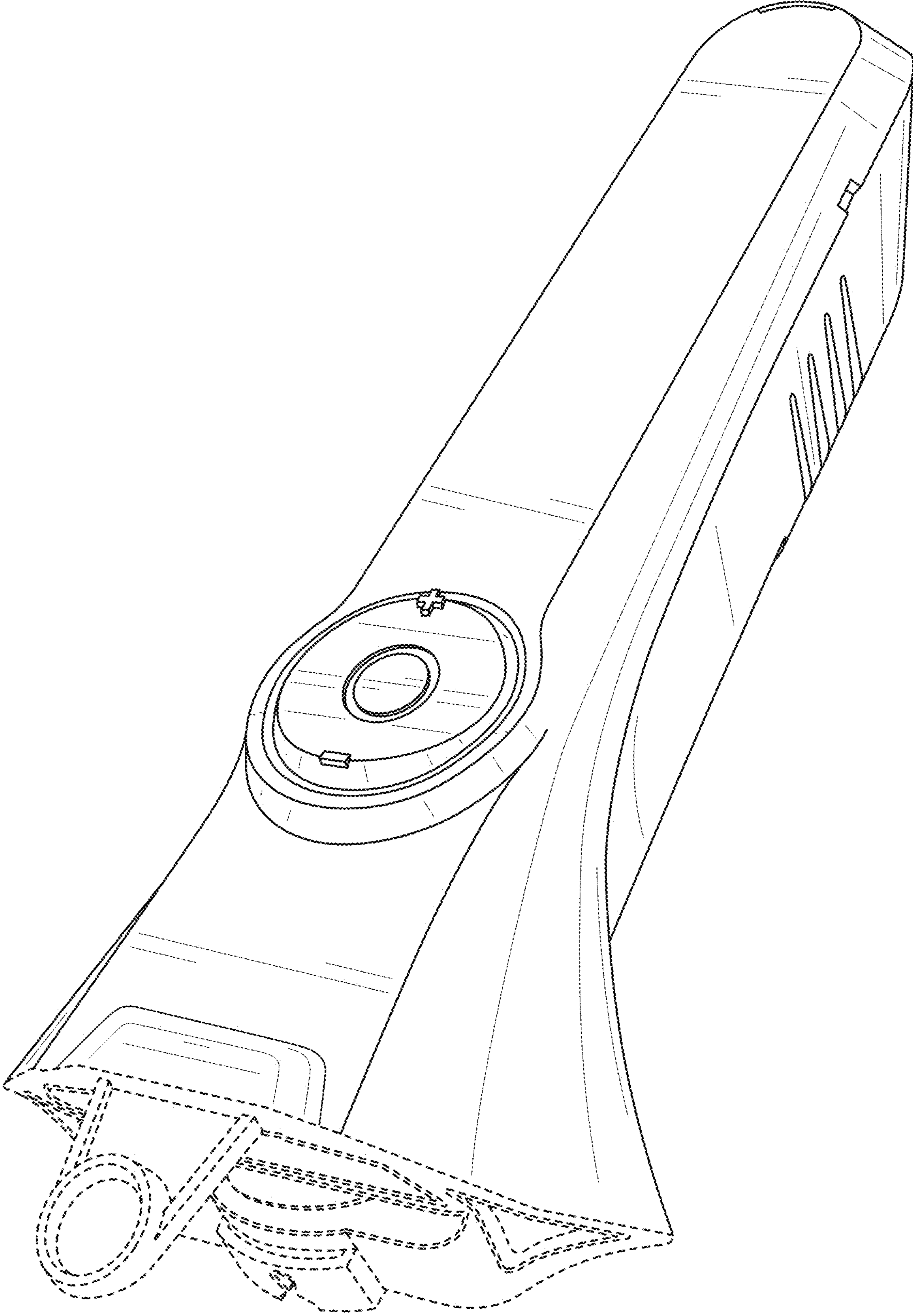


FIG. 1

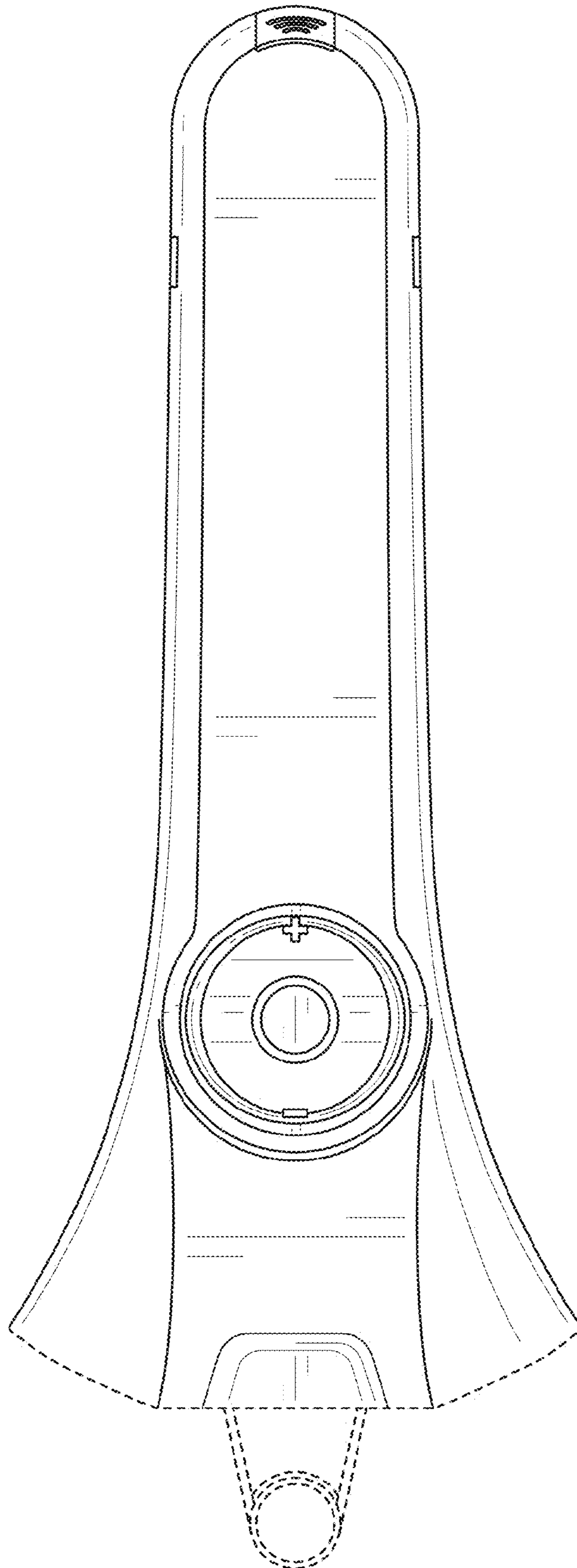


FIG. 2

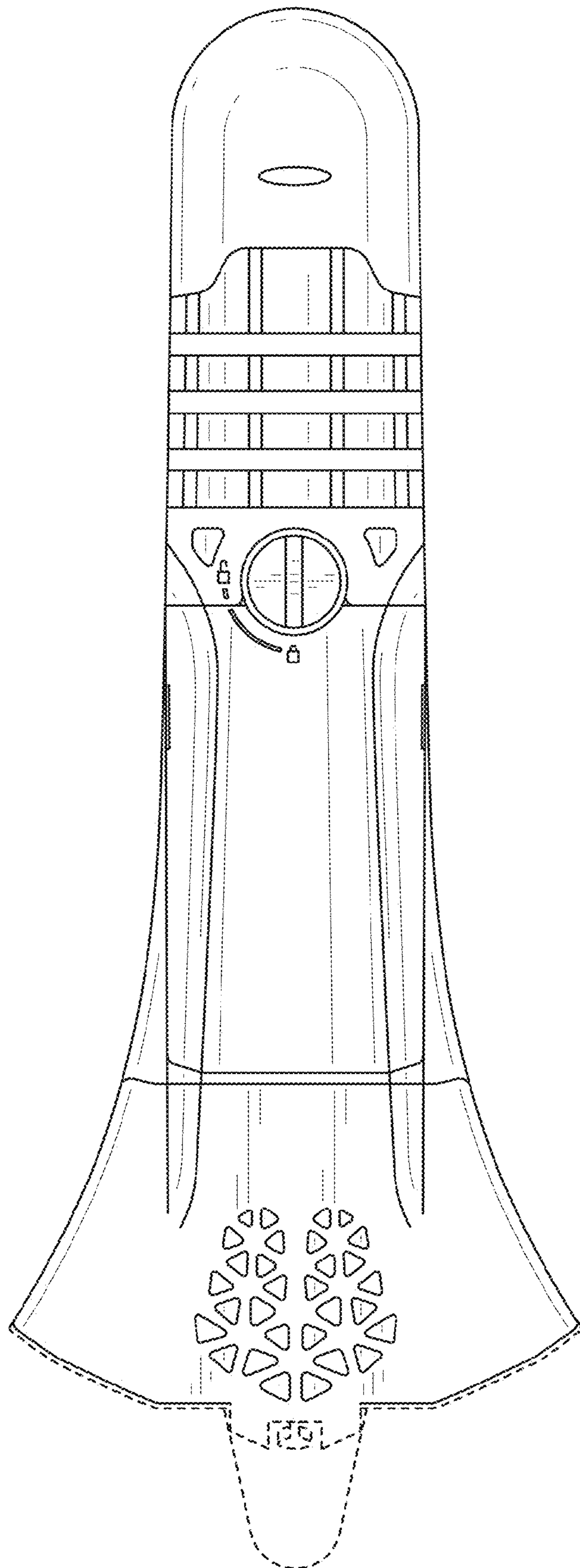


FIG. 3

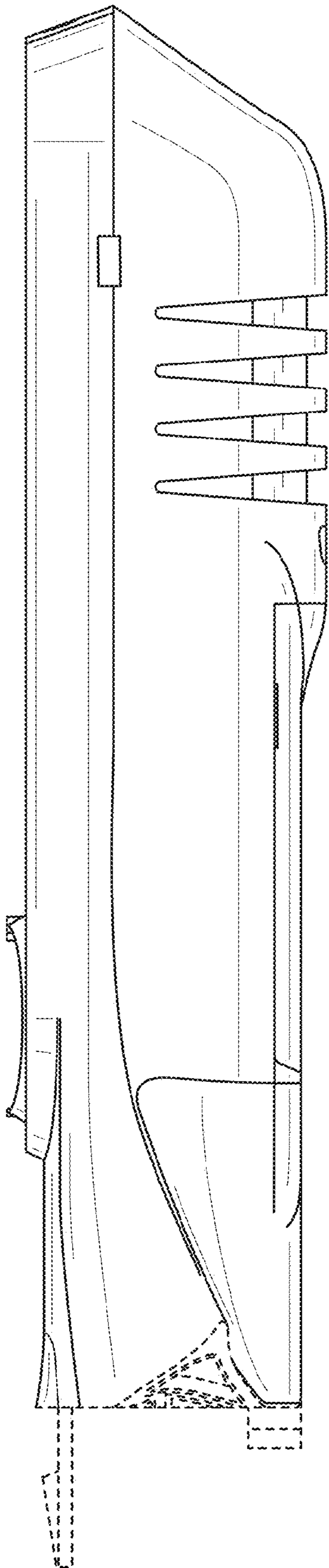


FIG. 4

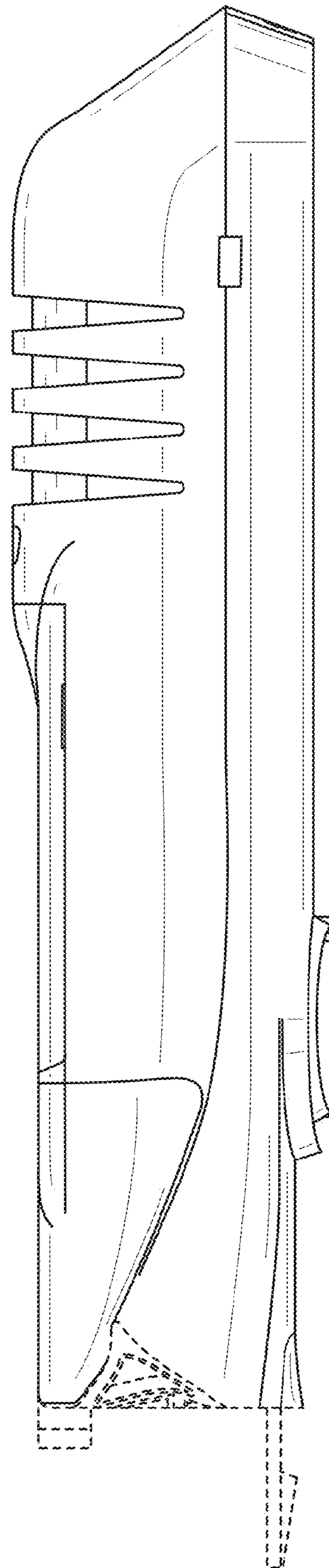


FIG. 5

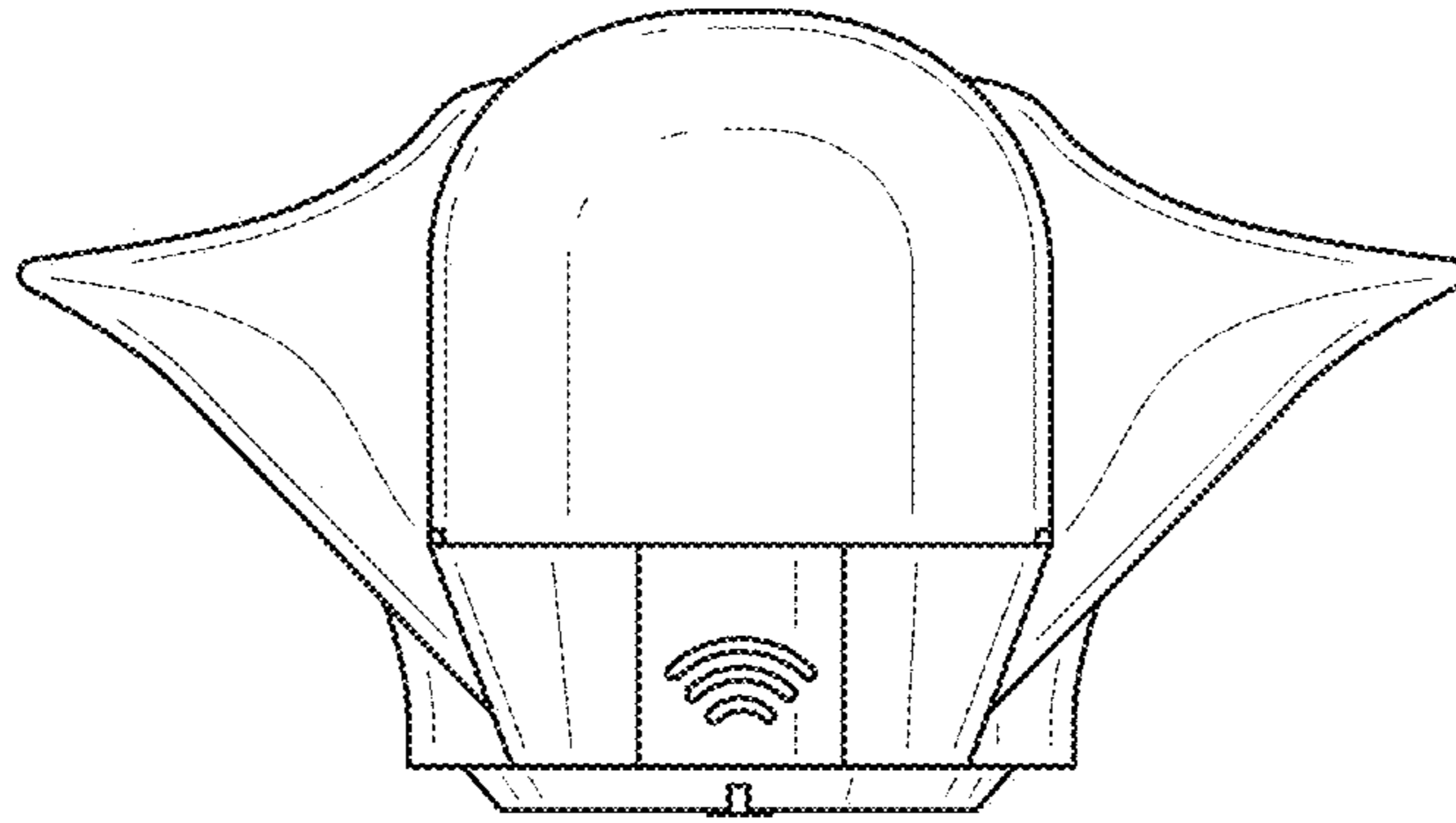


FIG. 6

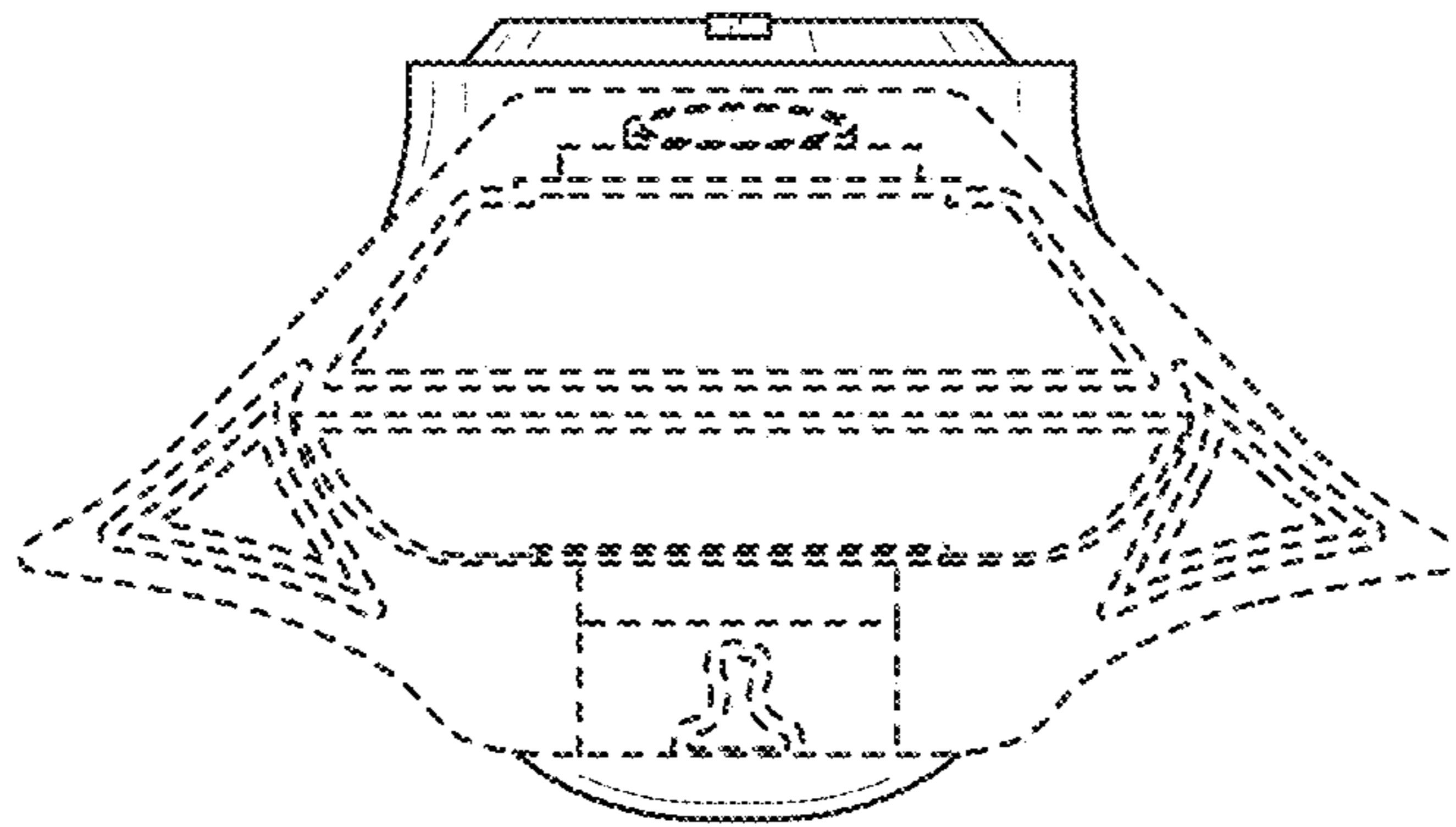


FIG. 7

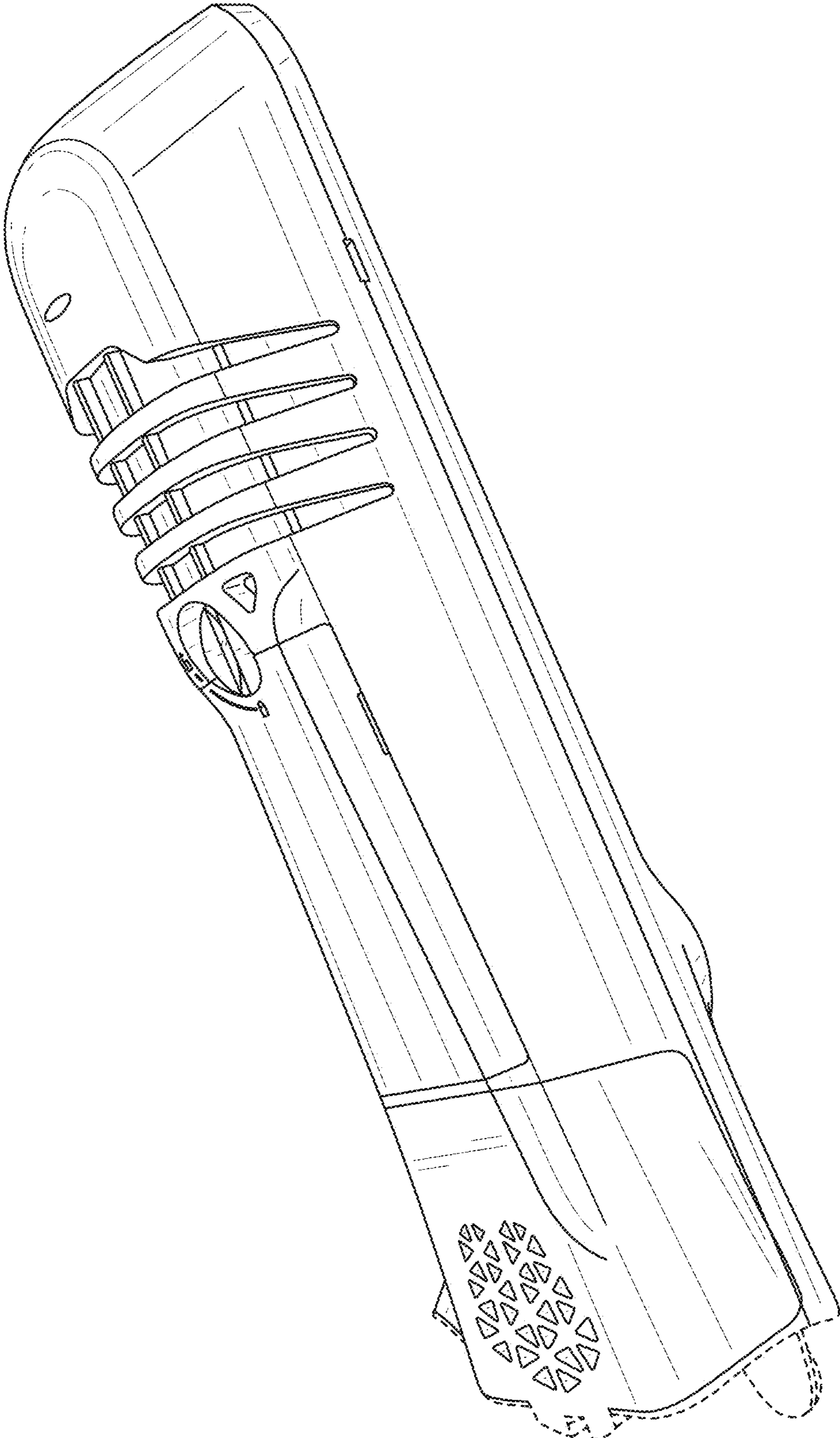


FIG. 8