



US00D982736S

(12) **United States Design Patent** (10) **Patent No.:** **US D982,736 S**  
**Lv et al.** (45) **Date of Patent:** **\*\* Apr. 4, 2023**

(54) **CHOKING RESCUE DEVICE**

D942,026 S 1/2022 Finn  
11,478,575 B1\* 10/2022 He ..... A61M 1/67  
2018/0099108 A1\* 4/2018 Baek ..... A61M 16/0081

(71) Applicant: **ChongQing Moffy Innovation Technology Co., Ltd.**, Chongqing (CN)

FOREIGN PATENT DOCUMENTS

(72) Inventors: **Liang Lv**, Chongqing (CN); **JiGuang Zhang**, Xiangyang (CN); **ZhengHao Ye**, HeNan Province (CN); **LianBo Zhao**, Kunshan (CN); **Ling Zhang**, Chongqing (CN)

GB 6252367 \* 1/2023

OTHER PUBLICATIONS

(\*\*) Term: **15 Years**

DeChoker Anti-Choking Device for Toddlers. Amazon. Date first available: Apr. 17, 2018. Retrieval date: Jan. 26, 2023. Retrieved from internet: <https://www.amazon.com/Dechoker-Anti-Choking-Device-Toddler/dp/B07D1Z4LQ8> (Year: 2018).\*

(21) Appl. No.: **29/869,366**

\* cited by examiner

(22) Filed: **Dec. 29, 2022**

*Primary Examiner* — Daniel J Domino  
*Assistant Examiner* — Lee D. Starr

(51) **LOC (14) Cl.** ..... **29-02**

(52) **U.S. Cl.**  
USPC ..... **D24/110**

(57) **CLAIM**

(58) **Field of Classification Search**  
USPC ..... D24/108, 110, 110.5, 110.6, 113, 114, D24/133, 152; D32/14  
CPC ... A62B 7/00; A62B 9/04; A62B 9/06; A61M 16/00; A61M 16/06; A61M 16/0605  
See application file for complete search history.

The ornamental design for a choking rescue device, as shown and described.

**DESCRIPTION**

(56) **References Cited**

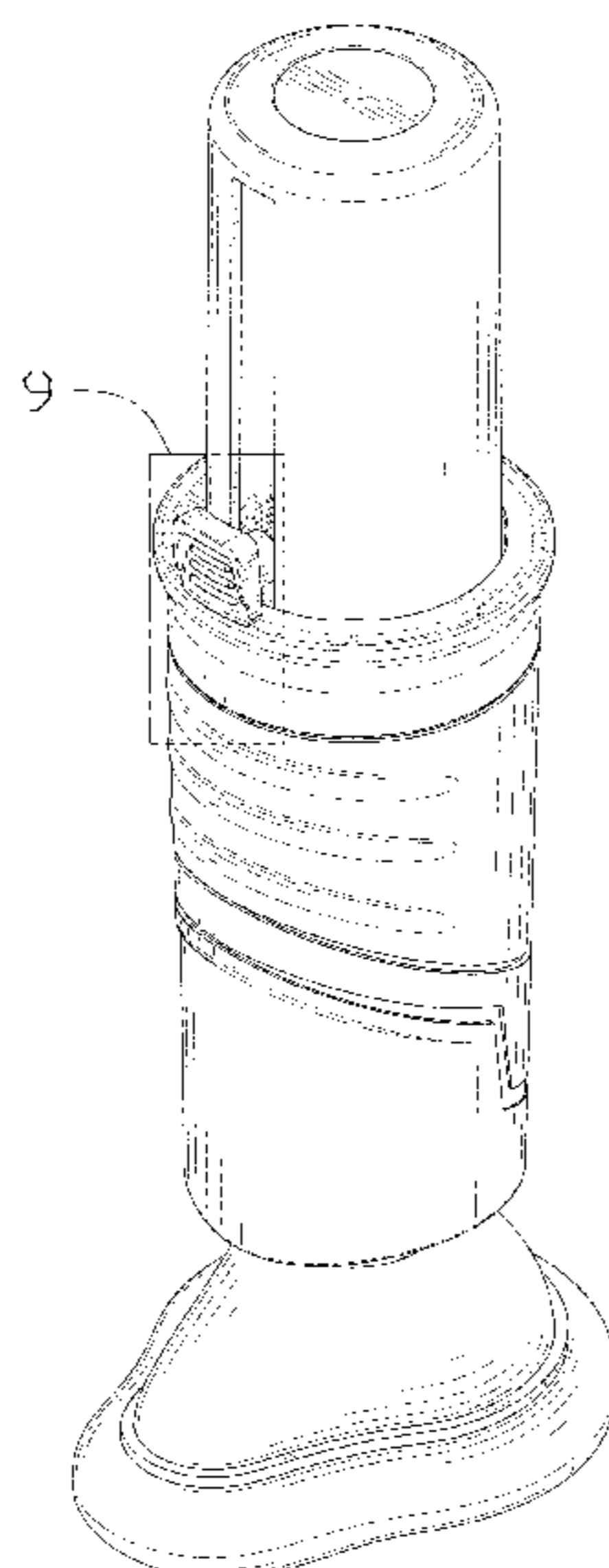
U.S. PATENT DOCUMENTS

- 2,856,922 A \* 10/1958 Kahan ..... A62B 7/00 128/205.12
- 3,158,152 A \* 11/1964 Bloom ..... A61M 16/0048 417/558
- 3,316,903 A \* 5/1967 Richards ..... A61M 16/0084 128/205.16
- D295,333 S \* 4/1988 Hartley ..... D24/110
- D509,296 S \* 9/2005 Minshull ..... D24/110
- D597,656 S \* 8/2009 Bird ..... D24/110
- D659,819 S \* 5/2012 Edwards ..... D24/110
- D692,122 S \* 10/2013 von Hollen ..... D24/110
- D739,011 S \* 9/2015 Morrison, Jr. .... D24/114
- D757,255 S \* 5/2016 Wohlfahrt ..... D24/113
- D884,876 S \* 5/2020 Jung ..... D24/110

FIG. 1 is a front and top perspective view of a choking rescue device, showing our new design; FIG. 2 is a rear and bottom perspective view thereof; FIG. 3 is a front elevation view thereof; FIG. 4 is a rear elevation view thereof; FIG. 5 is a left side elevation view thereof; FIG. 6 is a right side elevation view thereof; FIG. 7 is a top plan view thereof; FIG. 8 is a bottom plan view thereof; and, FIG. 9 is an enlarged perspective view of detail "9" identified in FIG. 1.

The dashed lines in the figures illustrate portions of the choking rescue device that form no part of the claimed design. The dash dot dash lines in FIGS. 1 and 9 are for the purpose of illustrating the enlarged view indicators and form no part of the claimed design.

**1 Claim, 9 Drawing Sheets**



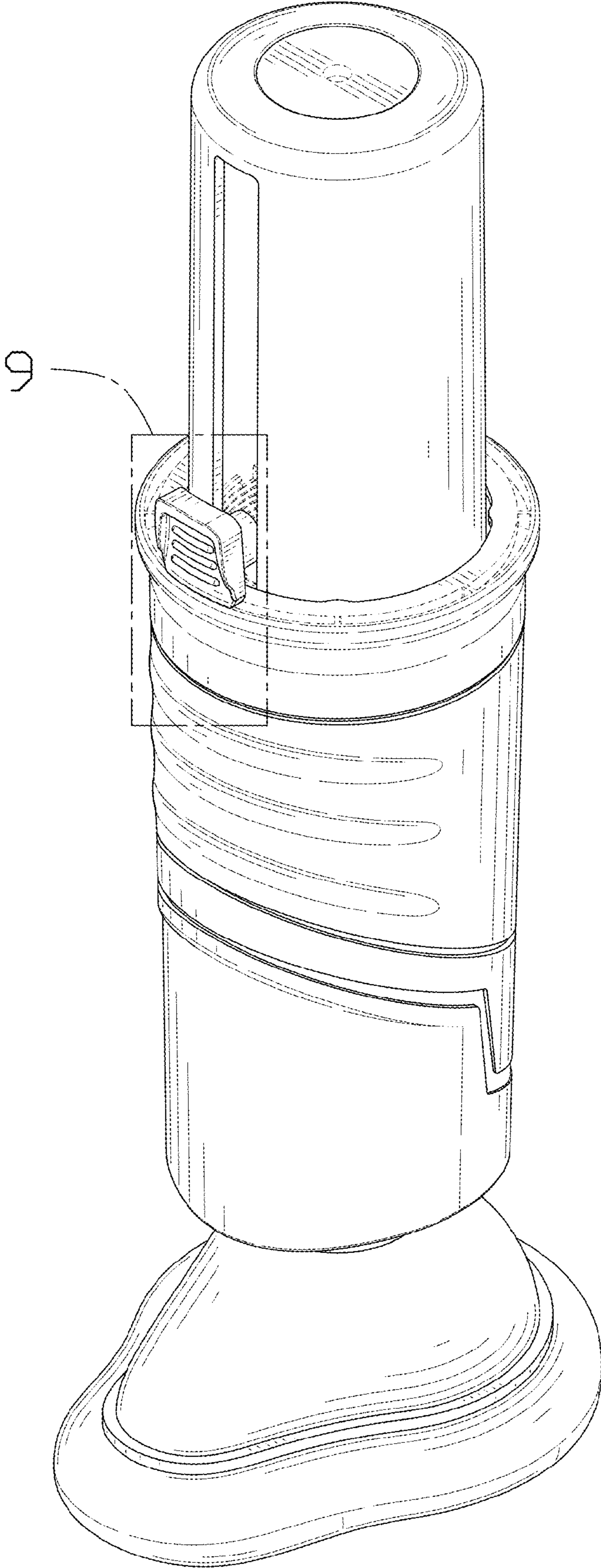


FIG. 1

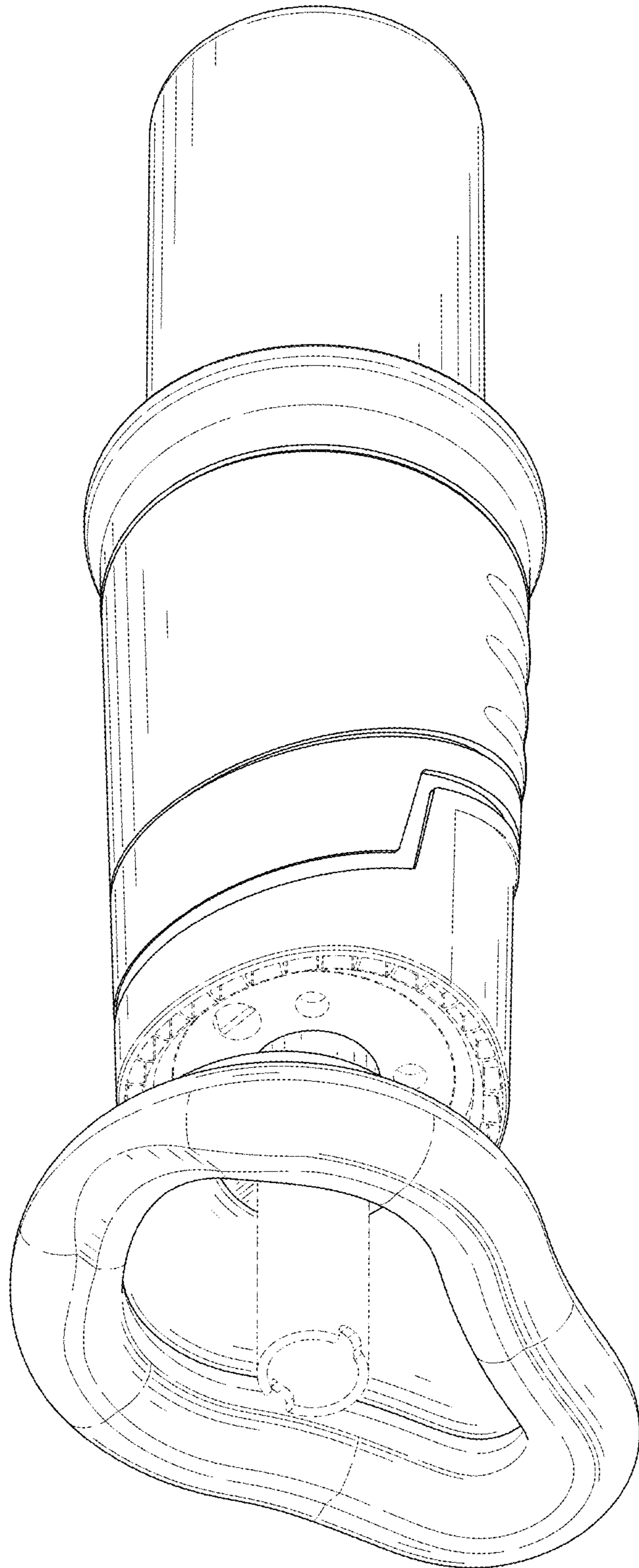


FIG. 2

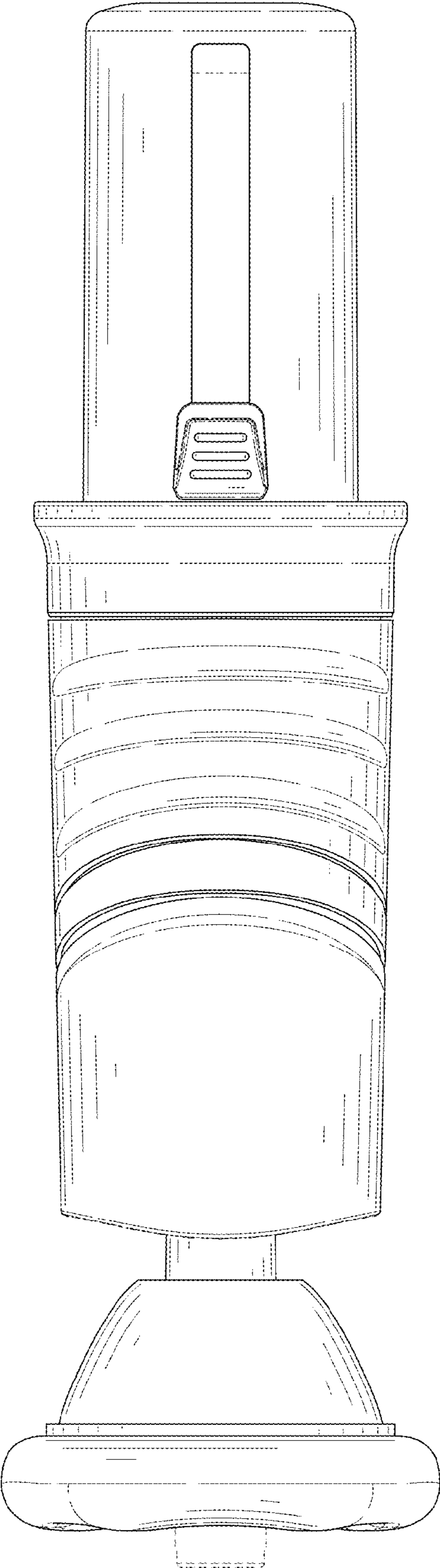


FIG. 3

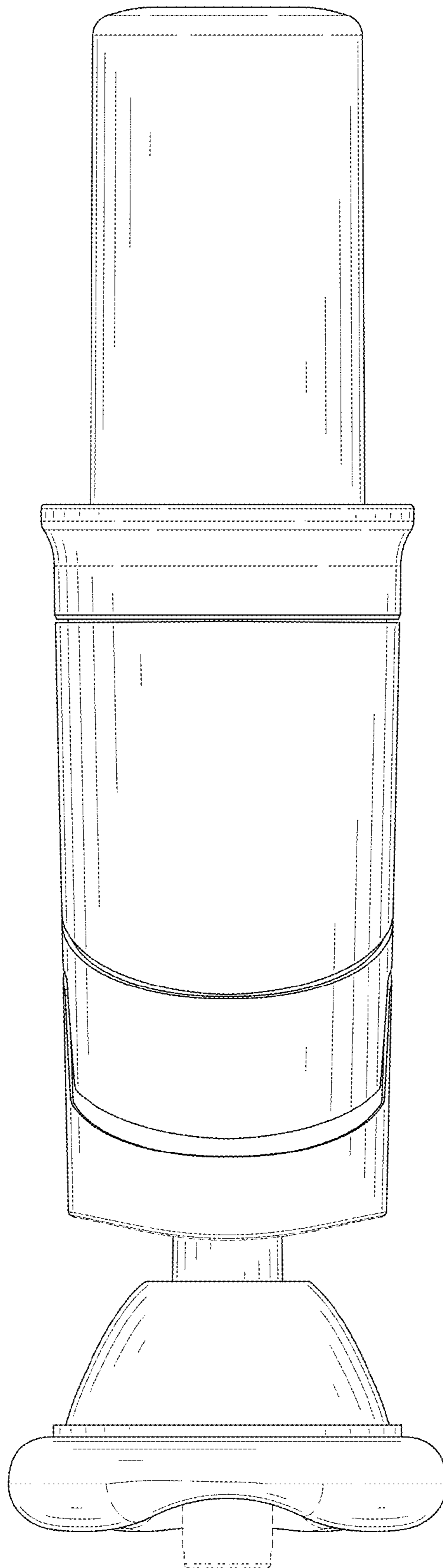


FIG. 4

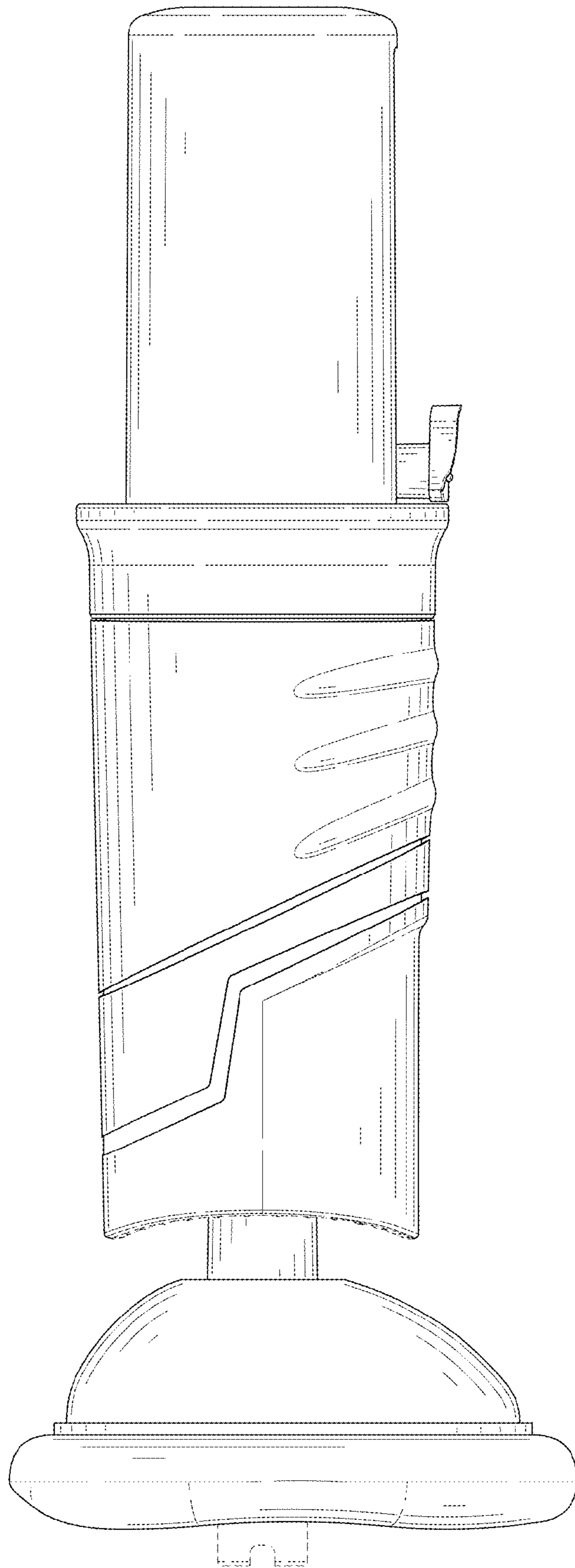


FIG. 5

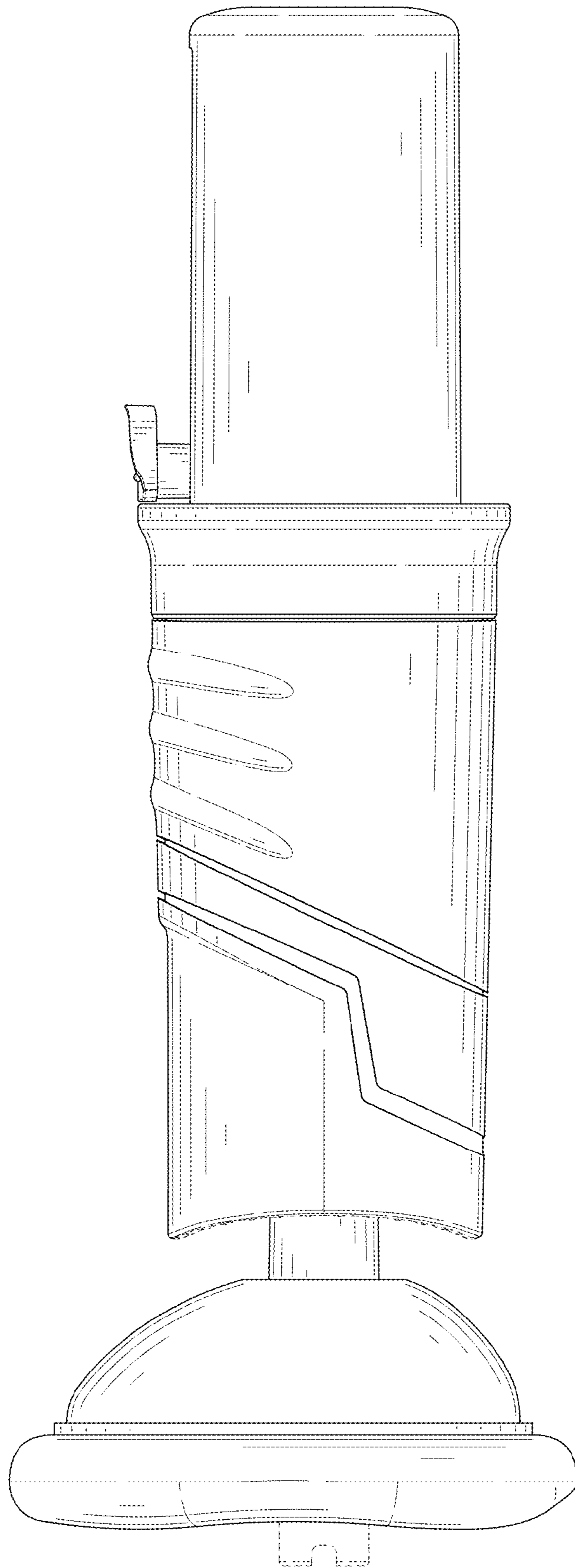


FIG. 6

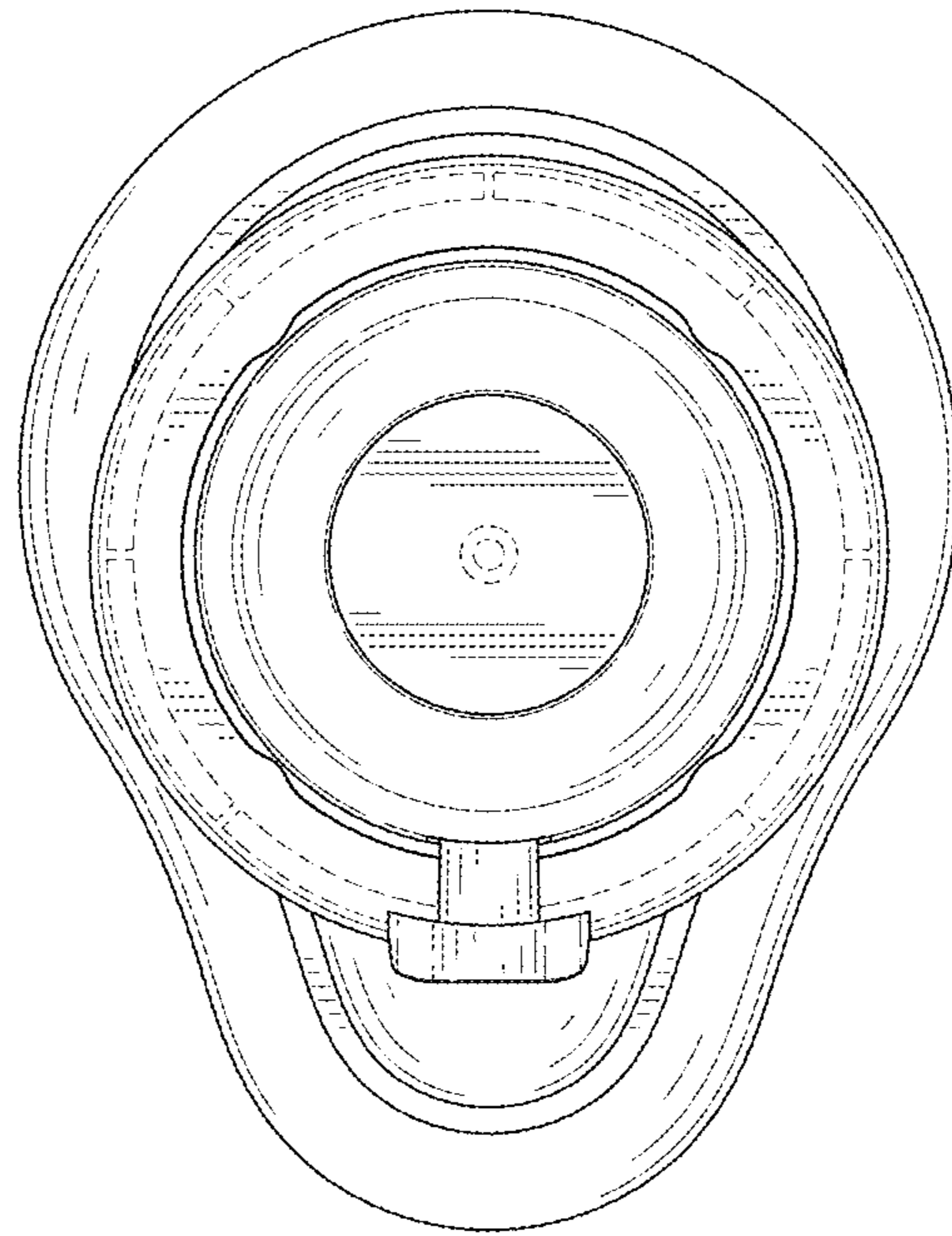


FIG. 7



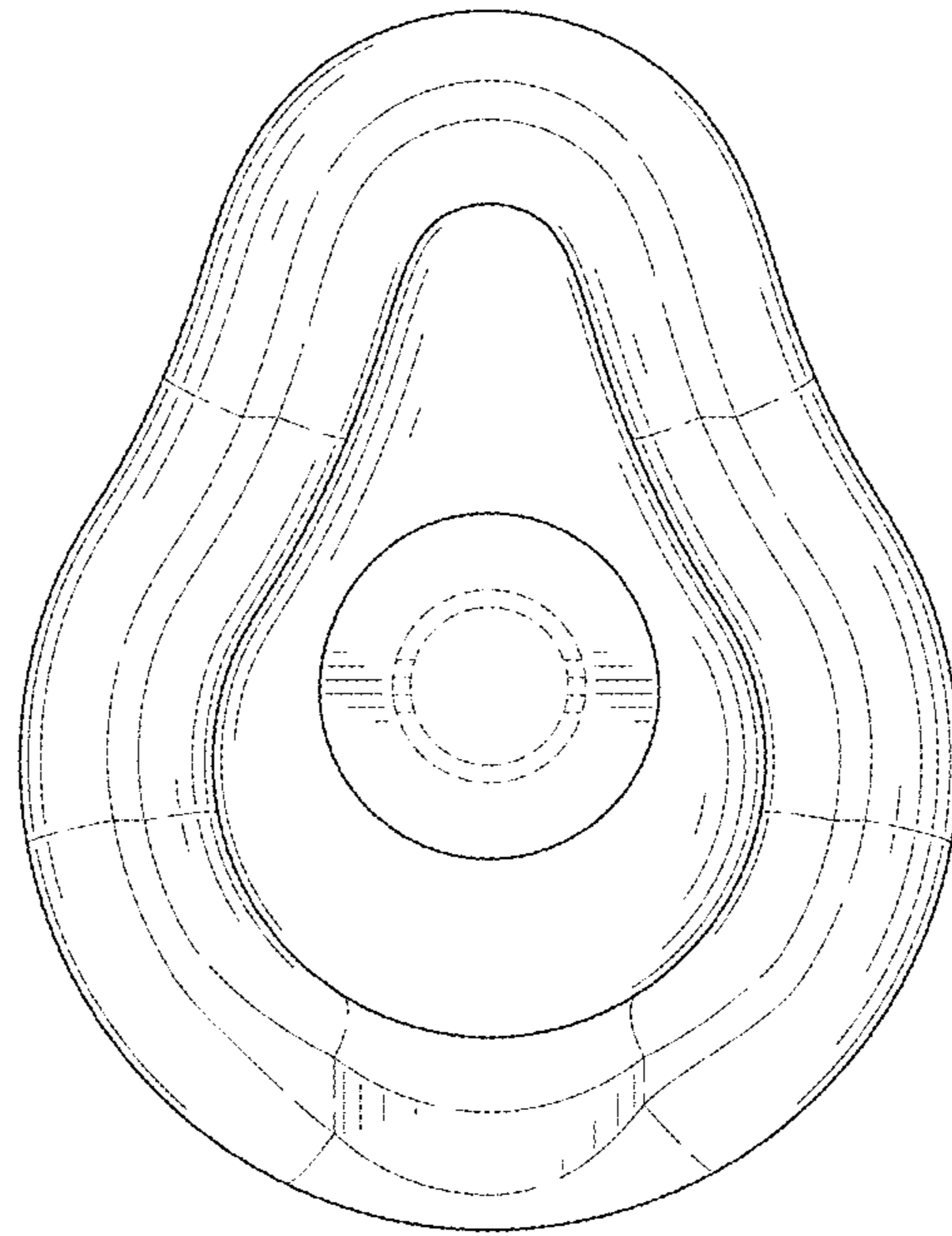


FIG. 8

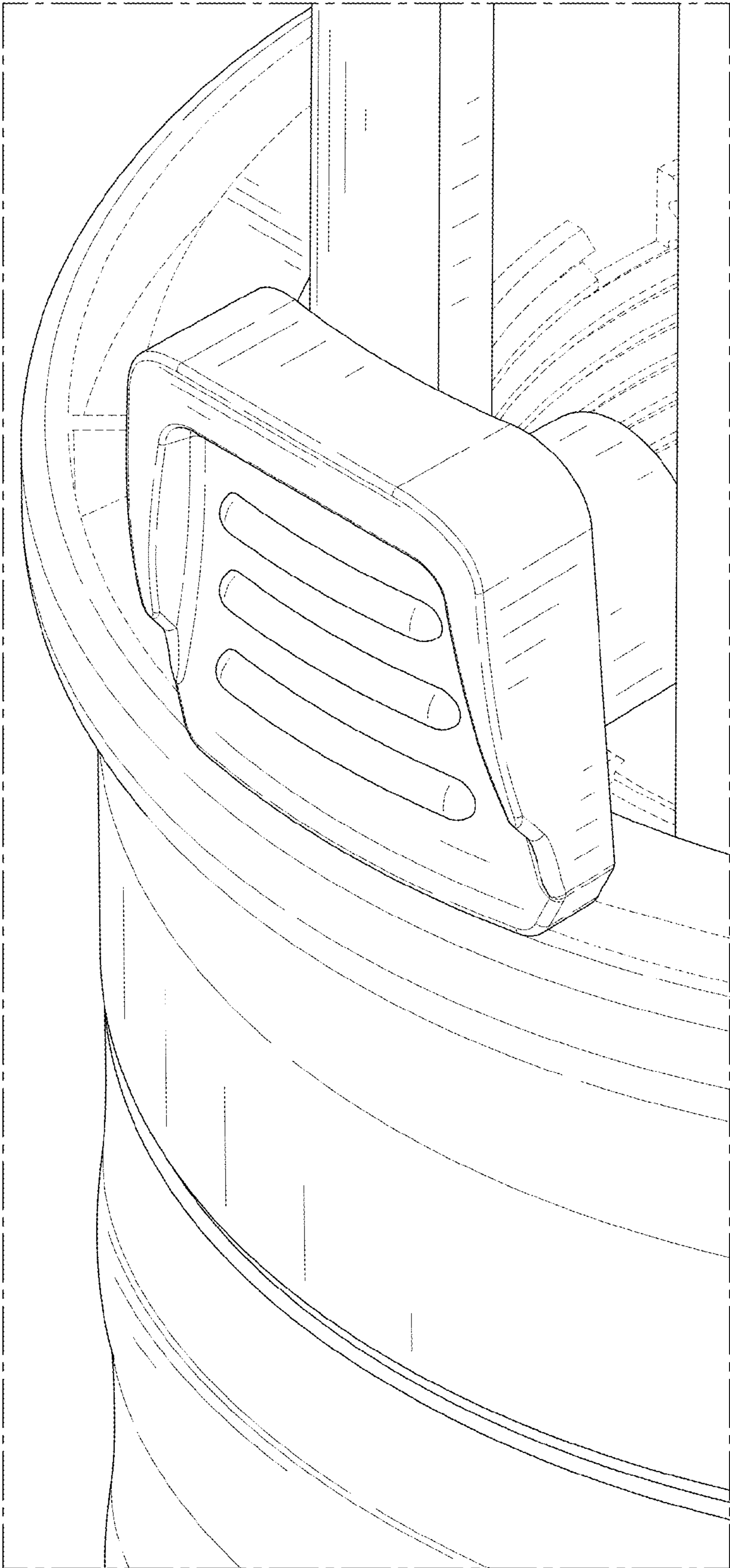


FIG. 9