



US00D982733S

(12) **United States Design Patent**
Huang

(10) **Patent No.:** **US D982,733 S**

(45) **Date of Patent:** **** Apr. 4, 2023**

(54) **HUMIDIFIER**

(71) Applicant: **Haiyang Huang**, Guangdong (CN)

(72) Inventor: **Haiyang Huang**, Guangdong (CN)

(73) Assignee: **Guangzhou Yifei Electrical Technology Co., Ltd.**, Guangzhou (CN)

(**) Term: **15 Years**

(21) Appl. No.: **29/785,697**

(22) Filed: **May 27, 2021**

(51) **LOC (14) Cl.** **23-04**

(52) **U.S. Cl.**
USPC **D23/356**

(58) **Field of Classification Search**
USPC D23/355-366, 352, 369, 332, 333, 335,
D23/336, 342, 351
CPC .. A61L 9/16; A61L 9/22; B01D 47/00; B01D
47/027; B01D 2221/02; B01D 2259/4508;
B03C 3/155; B03C 3/368; F24F 3/16;
F24F 13/20; F24F 13/28
See application file for complete search history.

(56) **References Cited**

U.S. PATENT DOCUMENTS

D316,296 S * 4/1991 Lee D23/335
RE34,867 E * 2/1995 Yamazaki F24F 1/04
D23/351

D371,833 S * 7/1996 Jane D23/335
D373,414 S * 9/1996 Bucher D23/335
D376,419 S * 12/1996 Seaman D23/358
D394,100 S * 5/1998 Promseeda D23/355
D411,879 S * 7/1999 Stanek D23/358
D566,819 S * 4/2008 Chiu D23/333
D572,810 S * 7/2008 Chiu D23/333
D854,588 S * 7/2019 Black D15/81
D943,075 S * 2/2022 Chiu D23/359
D950,696 S * 5/2022 Xie D23/359

* cited by examiner

Primary Examiner — David G Muller

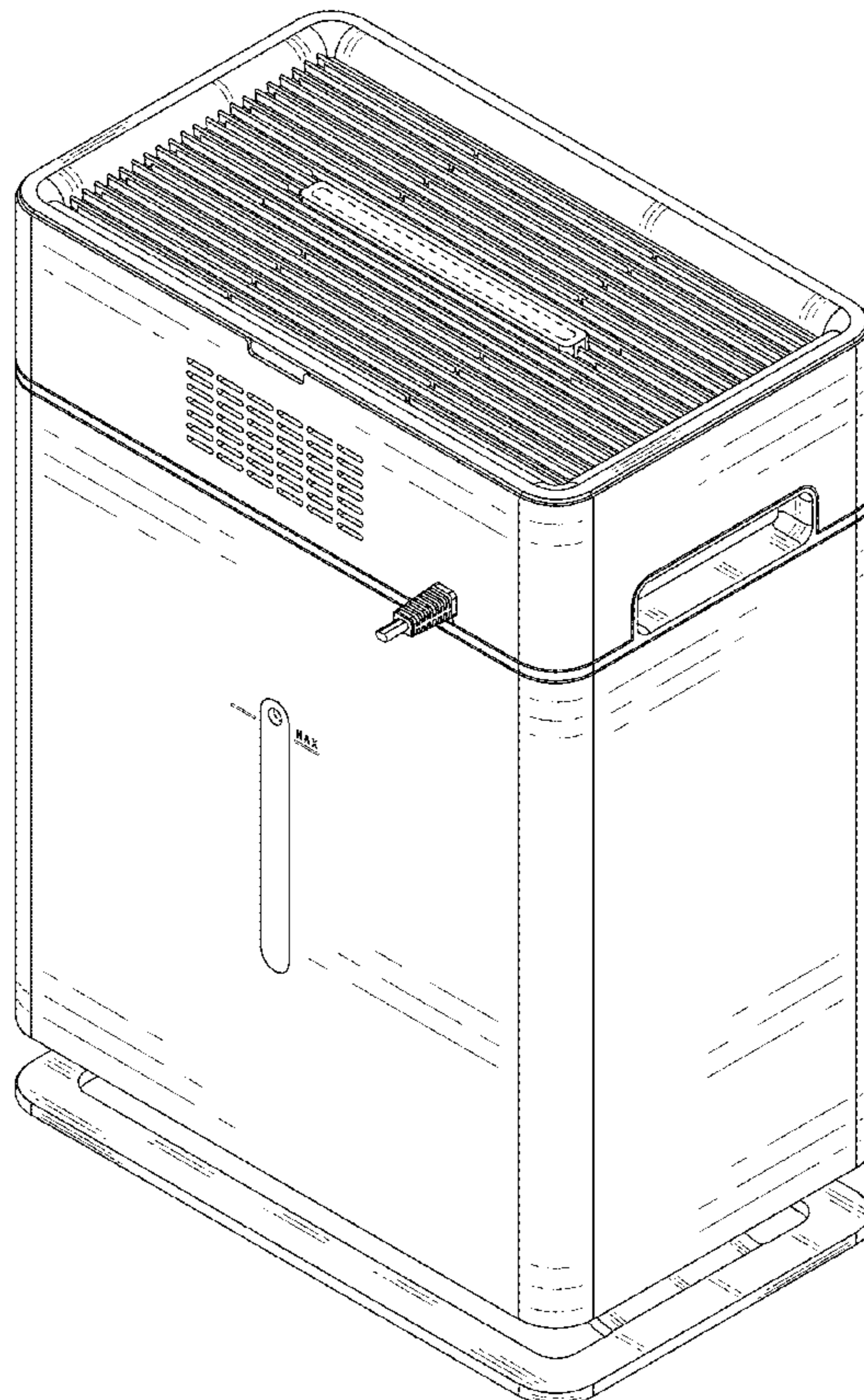
(57) **CLAIM**

The ornamental design for a humidifier, as shown and described.

DESCRIPTION

FIG. 1 is a perspective view of a humidifier showing my new design;
FIG. 2 is a front elevational view thereof;
FIG. 3 is a rear elevational view thereof;
FIG. 4 is a left side elevational view thereof;
FIG. 5 is a right side elevational view thereof;
FIG. 6 is a top plan view thereof; and,
FIG. 7 is a bottom plan view thereof.
The broken lines throughout the drawing figures depict portions of the humidifier that form no part of the claimed design.

1 Claim, 7 Drawing Sheets



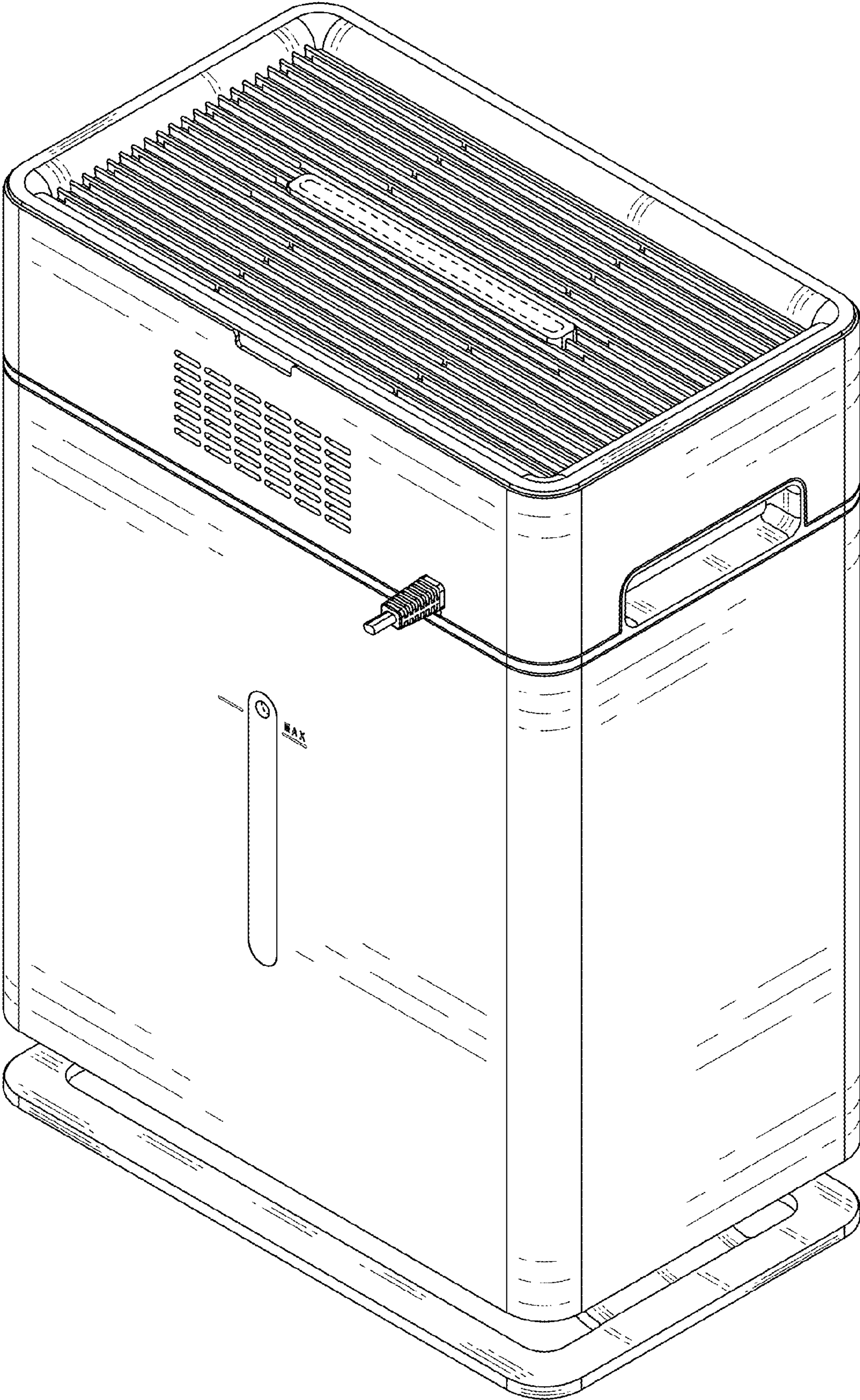


FIG.1

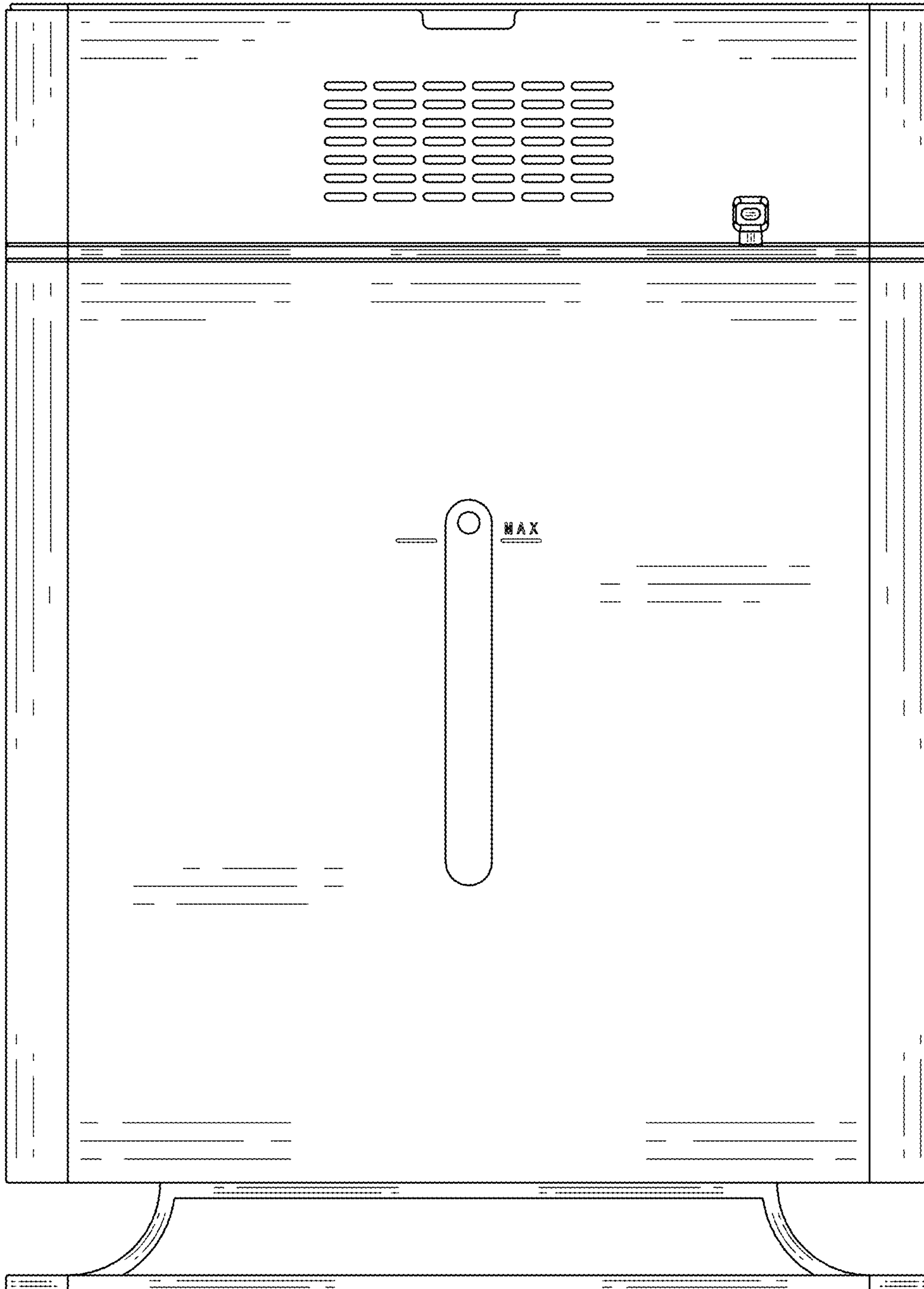


FIG.2

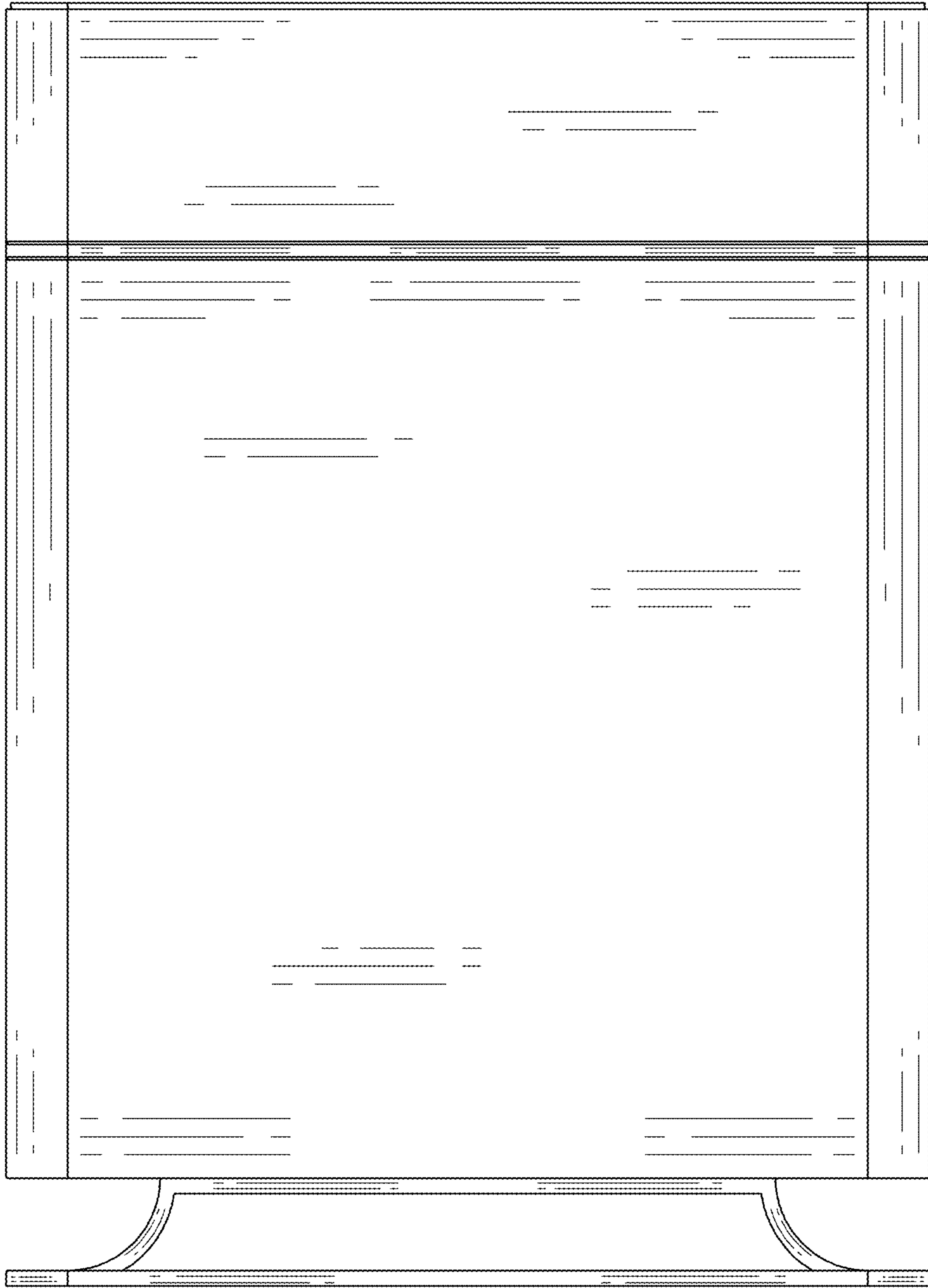


FIG.3

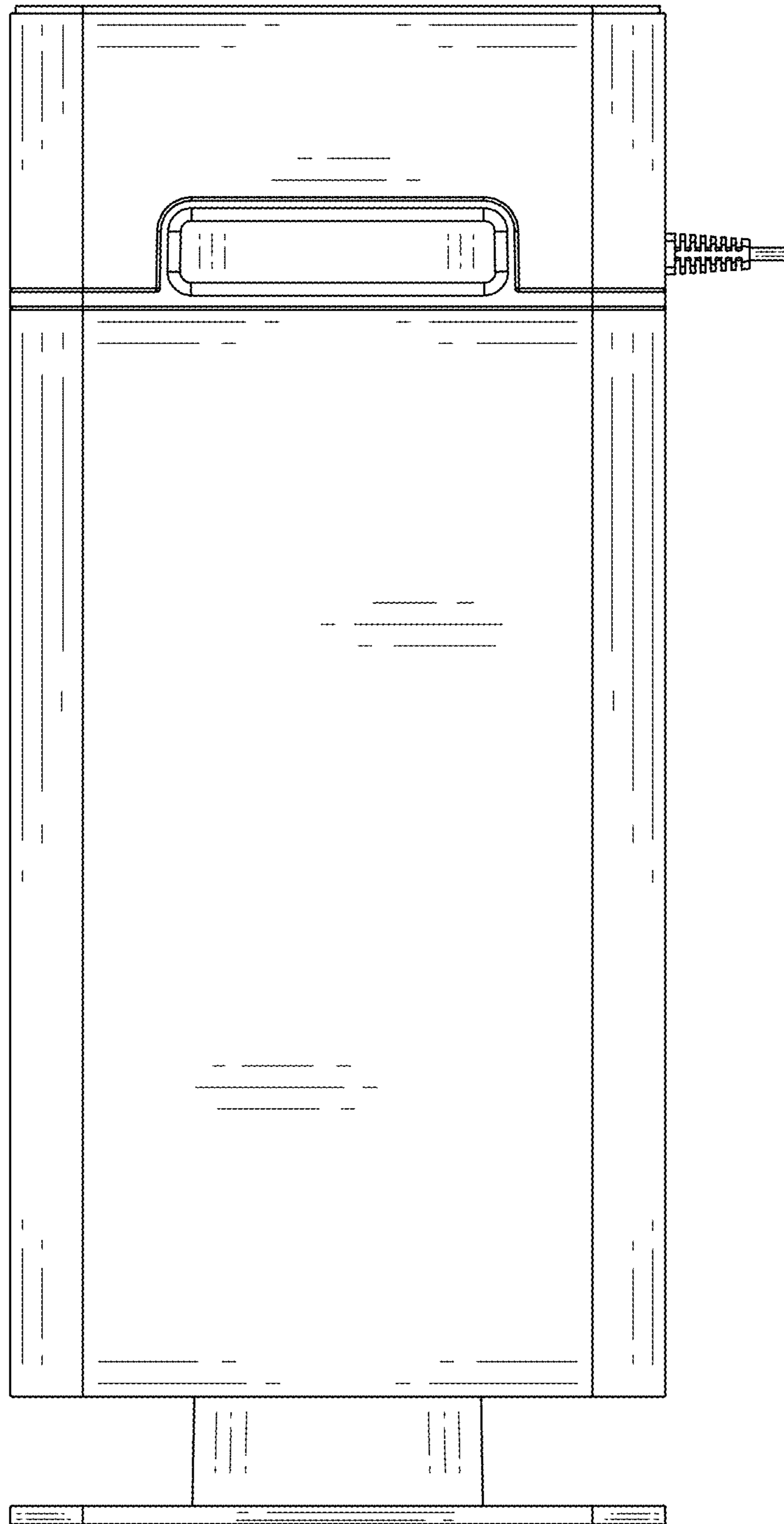


FIG.4



FIG.5

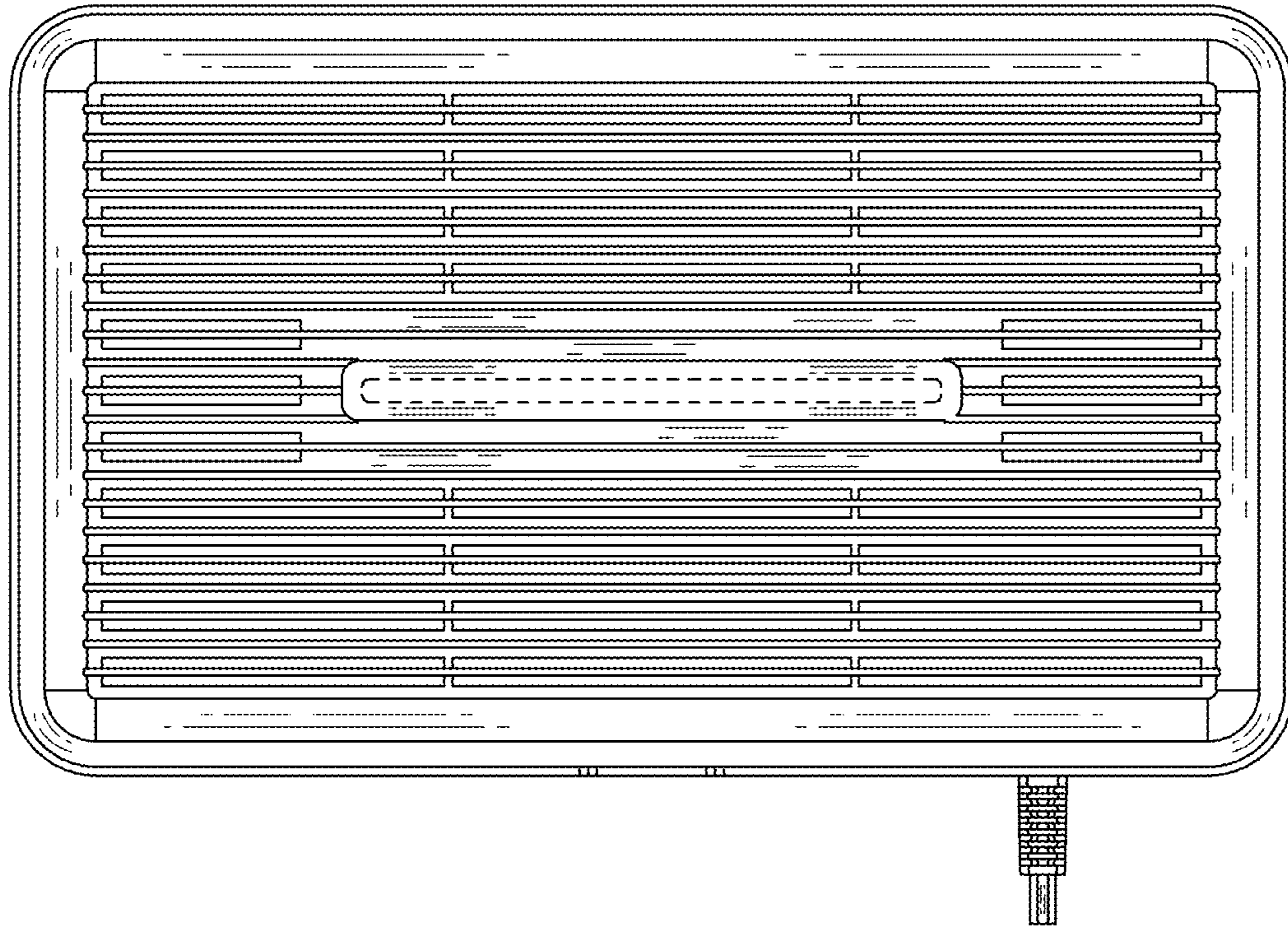


FIG.6

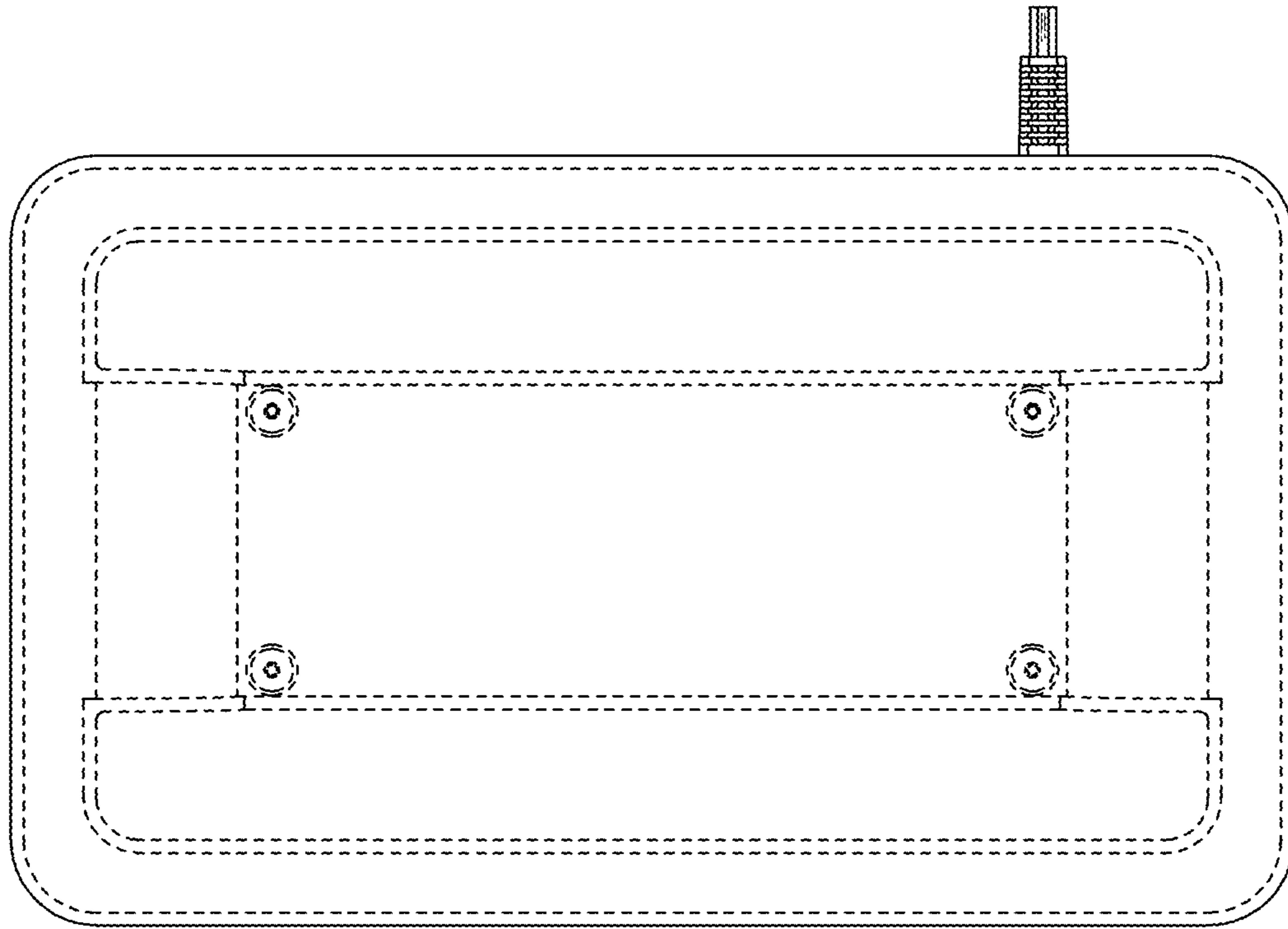


FIG.7