



US00D982728S

(12) **United States Design Patent**  
**Wang**

(10) **Patent No.:** **US D982,728 S**  
(45) **Date of Patent:** **\*\* Apr. 4, 2023**

(54) **POTTY TRAINING SEAT WITH STEP STOOL LADDER**

(71) Applicant: **Hualin Wang**, Zhejiang (CN)

(72) Inventor: **Hualin Wang**, Zhejiang (CN)

(\*\*) Term: **15 Years**

(21) Appl. No.: **29/813,705**

(22) Filed: **Nov. 1, 2021**

(51) **LOC (14) Cl.** ..... **23-02**

(52) **U.S. Cl.**  
USPC ..... **D23/296**

(58) **Field of Classification Search**  
USPC ..... D23/296, 309, 311; D6/339, 350;  
D25/65, 69  
See application file for complete search history.

(56) **References Cited**

**U.S. PATENT DOCUMENTS**

D453,040	S	*	1/2002	Davis	.....	D23/297
D570,461	S	*	6/2008	Desnos-Simon	.....	D23/296
D618,321	S	*	6/2010	Yeung	.....	D23/296
10,478,024	B2	*	11/2019	Del Duke	.....	A47K 17/028
D879,926	S	*	3/2020	Hu	.....	D23/309
2018/0168412	A1	*	6/2018	Pham	.....	A47C 16/025

**OTHER PUBLICATIONS**

Potty Training Toilet Seat with Step Stool Ladder for Kids and Toddlers Adjustable Toilet Training Seat with Soft Not-Cold Padded Seat Safe Handles and Non-Slip Wide Steps, [https://www.amazon.com/Training-Adjustable-Toddler-Anti-Cold-Non-Slip/dp/B07NYT6WMK/ref=asc\\_df\\_B07NYT6WMK/?tag=hyprod-20&linkCode=df0&hvadid=312318947953&hvpos=&hvnetw=g&hvrand=14813345294826811675&hvpone=&hvptwo=&hvqmt=](https://www.amazon.com/Training-Adjustable-Toddler-Anti-Cold-Non-Slip/dp/B07NYT6WMK/ref=asc_df_B07NYT6WMK/?tag=hyprod-20&linkCode=df0&hvadid=312318947953&hvpos=&hvnetw=g&hvrand=14813345294826811675&hvpone=&hvptwo=&hvqmt=)

&hvdev=c&hvdvcmdl=&hvlocint=&hvlocphy=9059726&hvtargid=pla-681606194538&pssc=(Year: 2019).\*

\* cited by examiner

*Primary Examiner* — Robert A Delehanty

(57) **CLAIM**

The ornamental design for a potty training seat with step stool ladder, as shown and described.

**DESCRIPTION**

FIG. 1 is a perspective view of a potty training seat with step stool ladder showing my new design;

FIG. 2 is a front view of a potty training seat with step stool ladder.

FIG. 3 is a rear view of a potty training seat with step stool ladder.

FIG. 4 is a left side view of a potty training seat with step stool ladder.

FIG. 5 is a right side view of a potty training seat with step stool ladder.

FIG. 6 is a top view of a potty training seat with step stool ladder.

FIG. 7 is a bottom view of a potty training seat with step stool ladder.

FIG. 8 is a rear, bottom side perspective view of a potty training seat with step stool ladder.

FIG. 9 is an enlarged view of a potty training seat with step stool ladder taken from the circle part in FIG. 1.

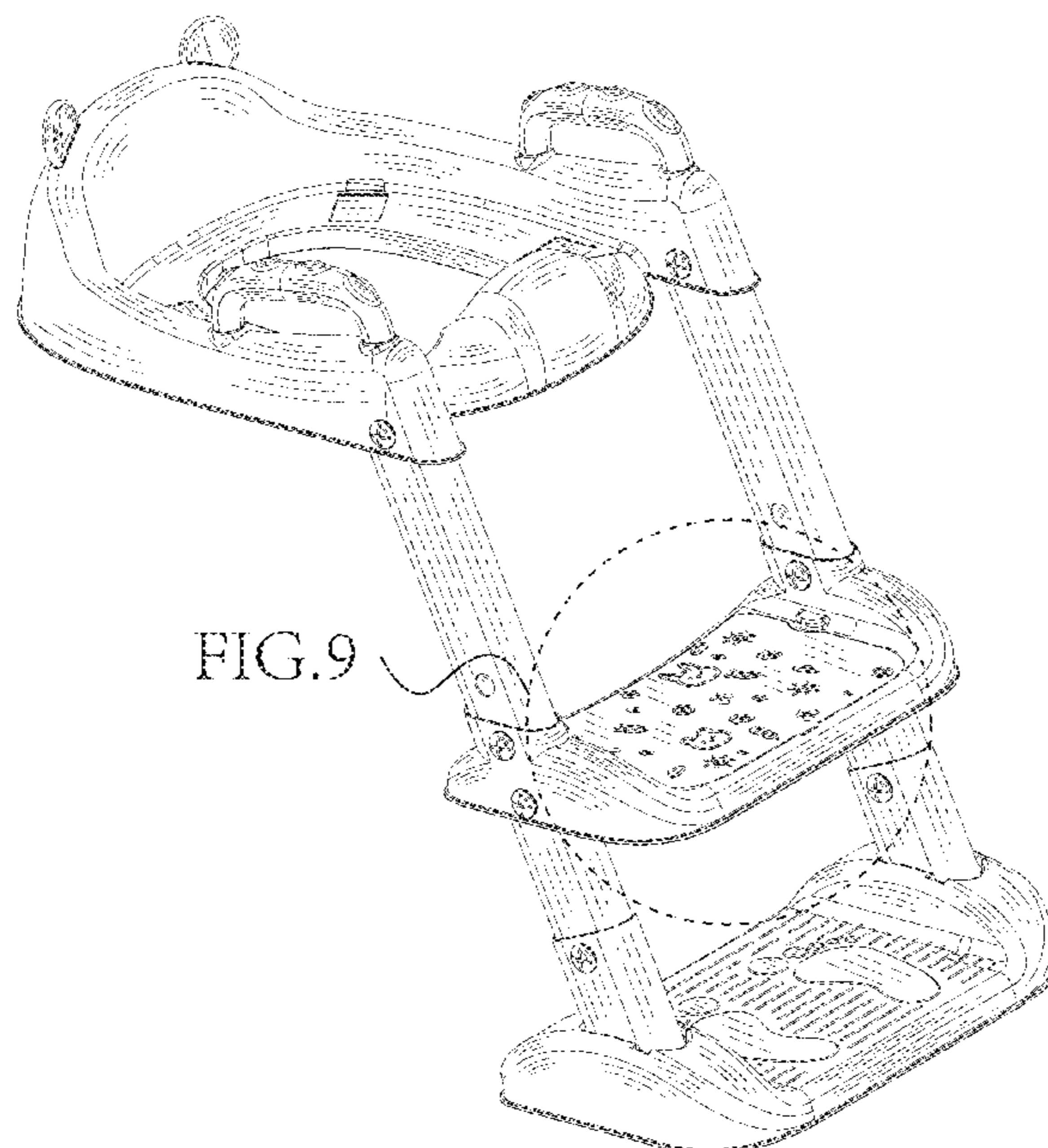
FIG. 10 is an enlarged view of a potty training seat with step stool ladder taken from the circle part in FIG. 8.

FIG. 11 is an enlarged view of a potty training seat with step stool ladder taken from the circle part in FIG. 3.

FIG. 12 is an enlarged view of a potty training seat with step stool ladder taken from the circle part in FIG. 6; and,

FIG. 13 is an enlarged view of a potty training seat with step stool ladder taken from the circle part in FIG. 7.

**1 Claim, 13 Drawing Sheets**



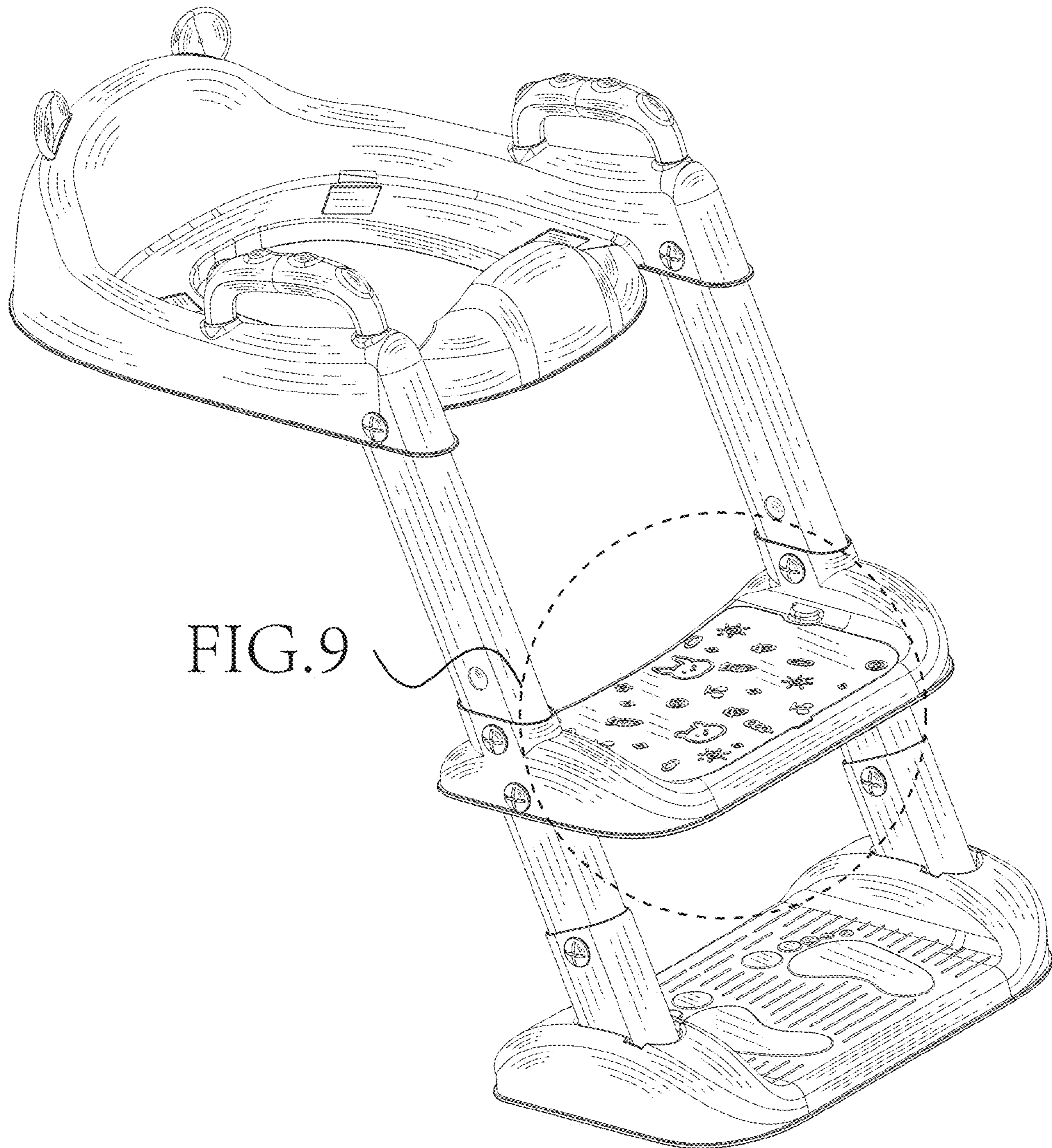


FIG. 9

FIG. 1

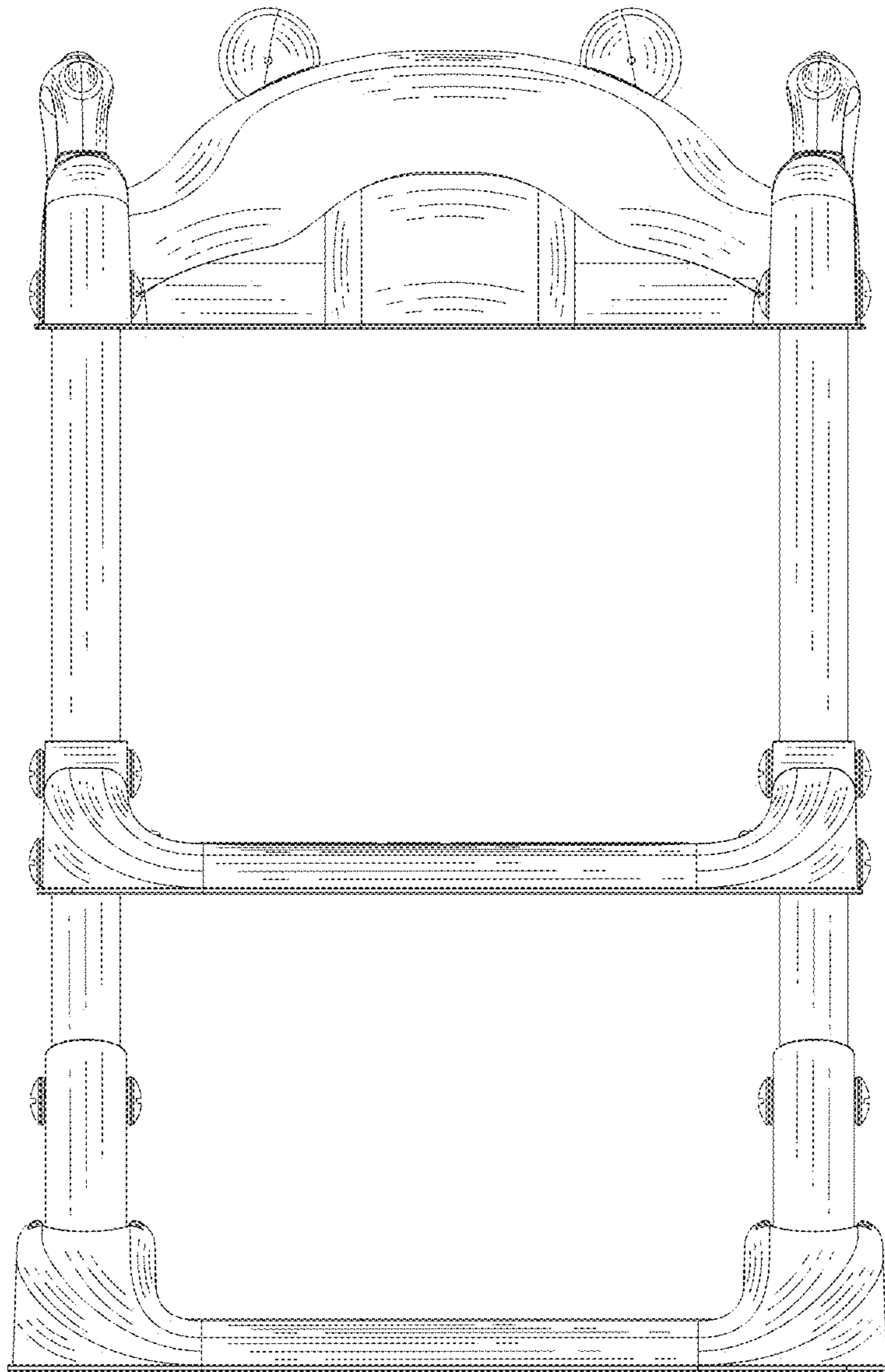


FIG. 2

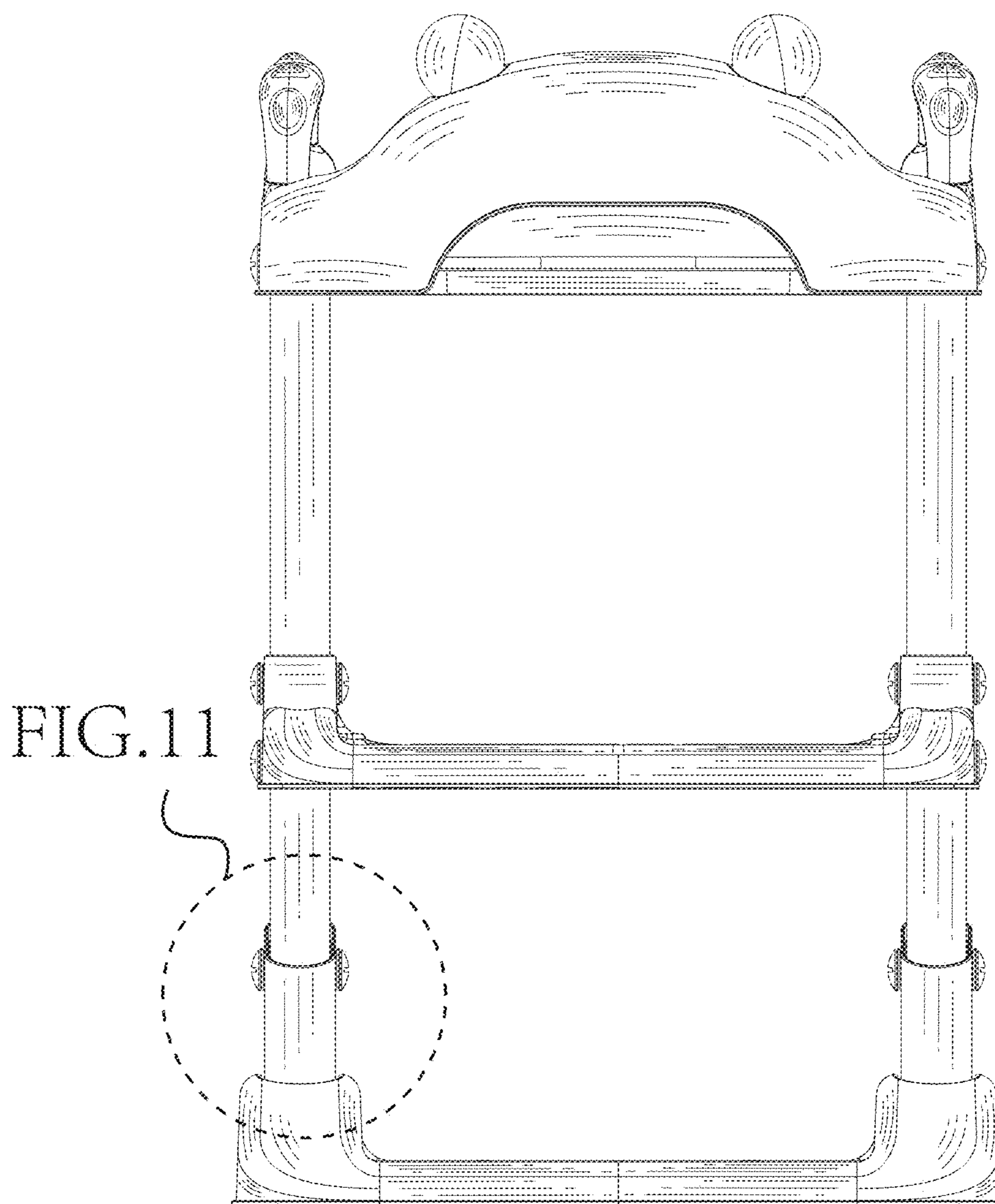


FIG. 3

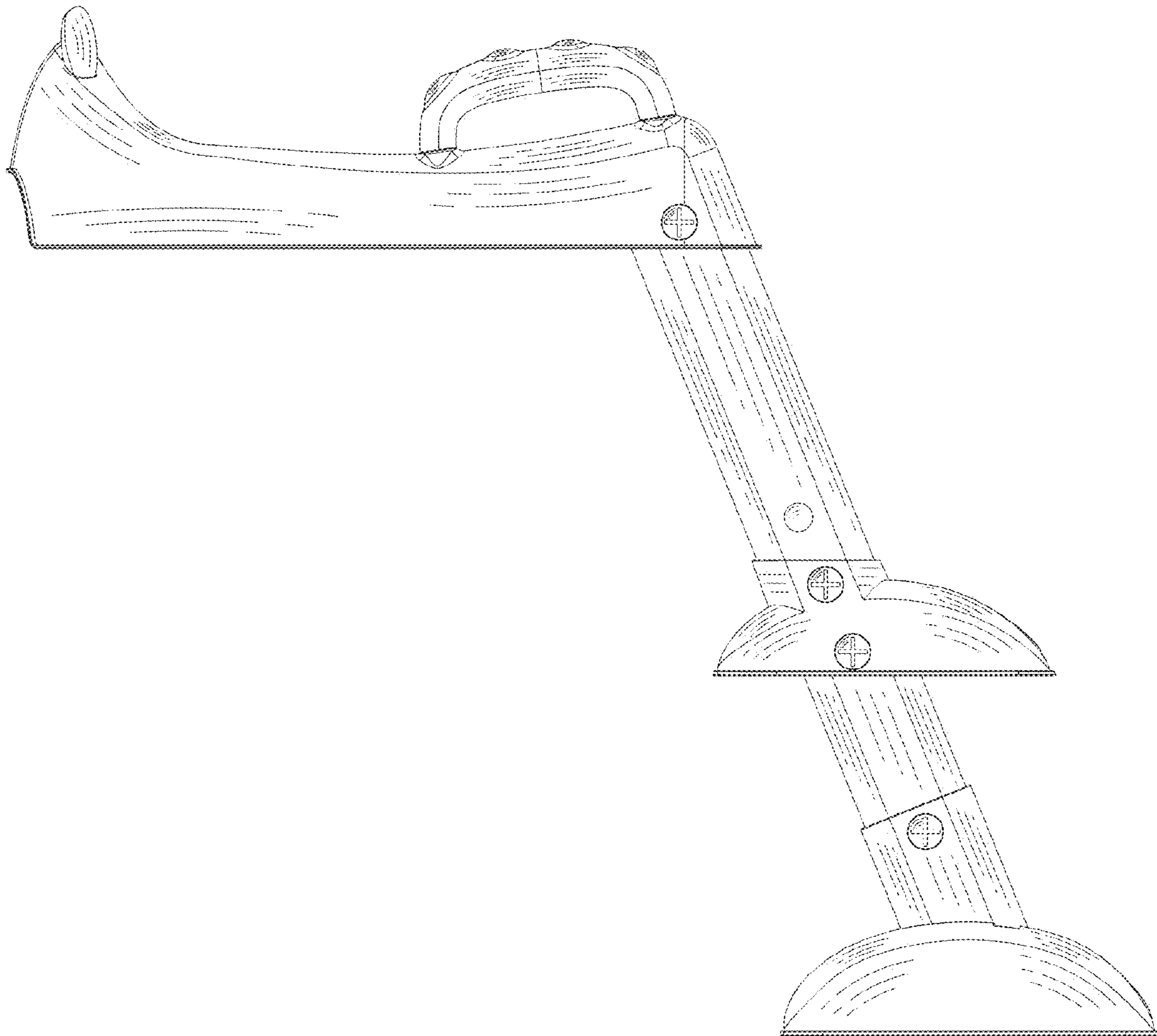


FIG. 4

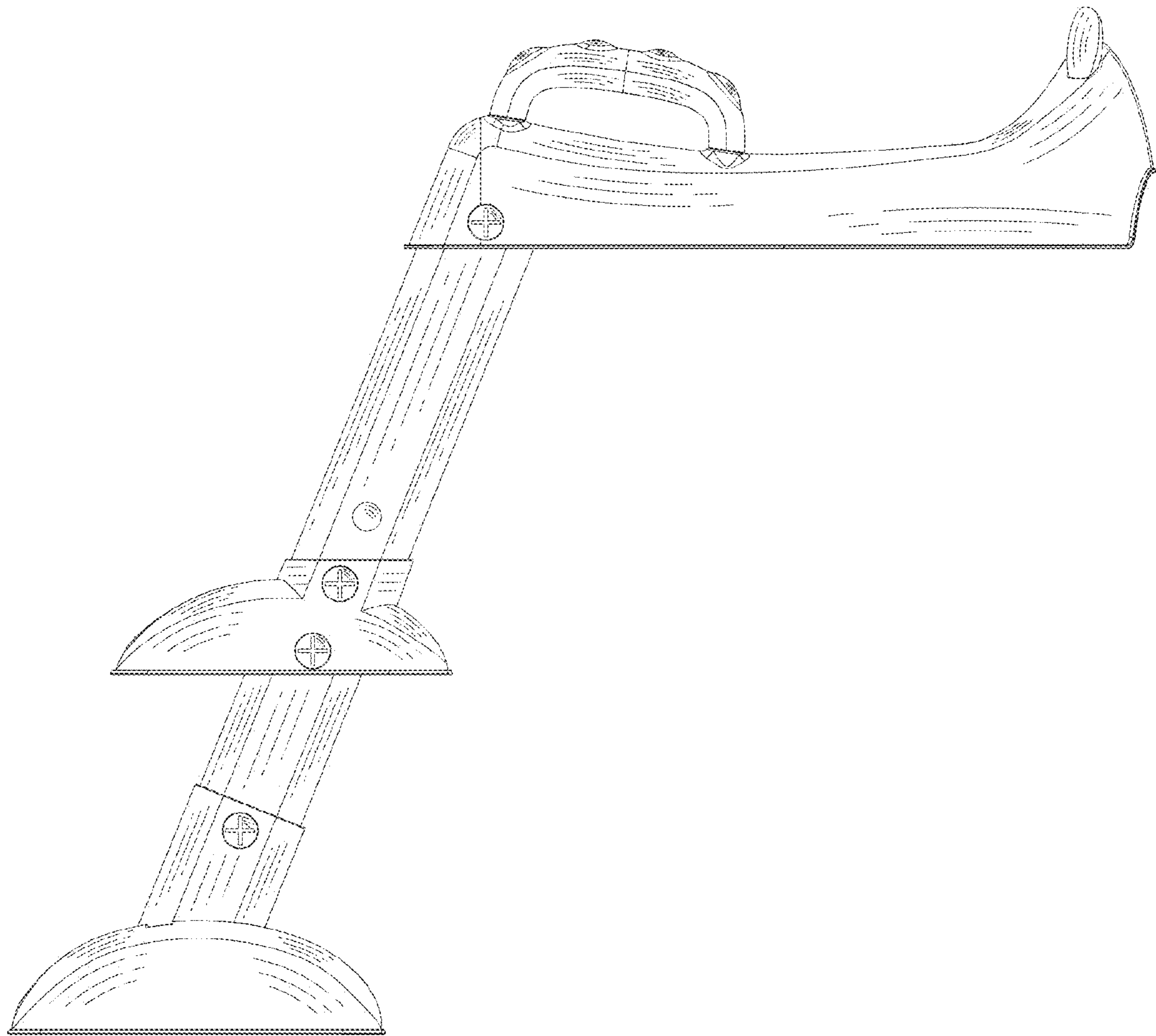


FIG. 5

FIG. 12

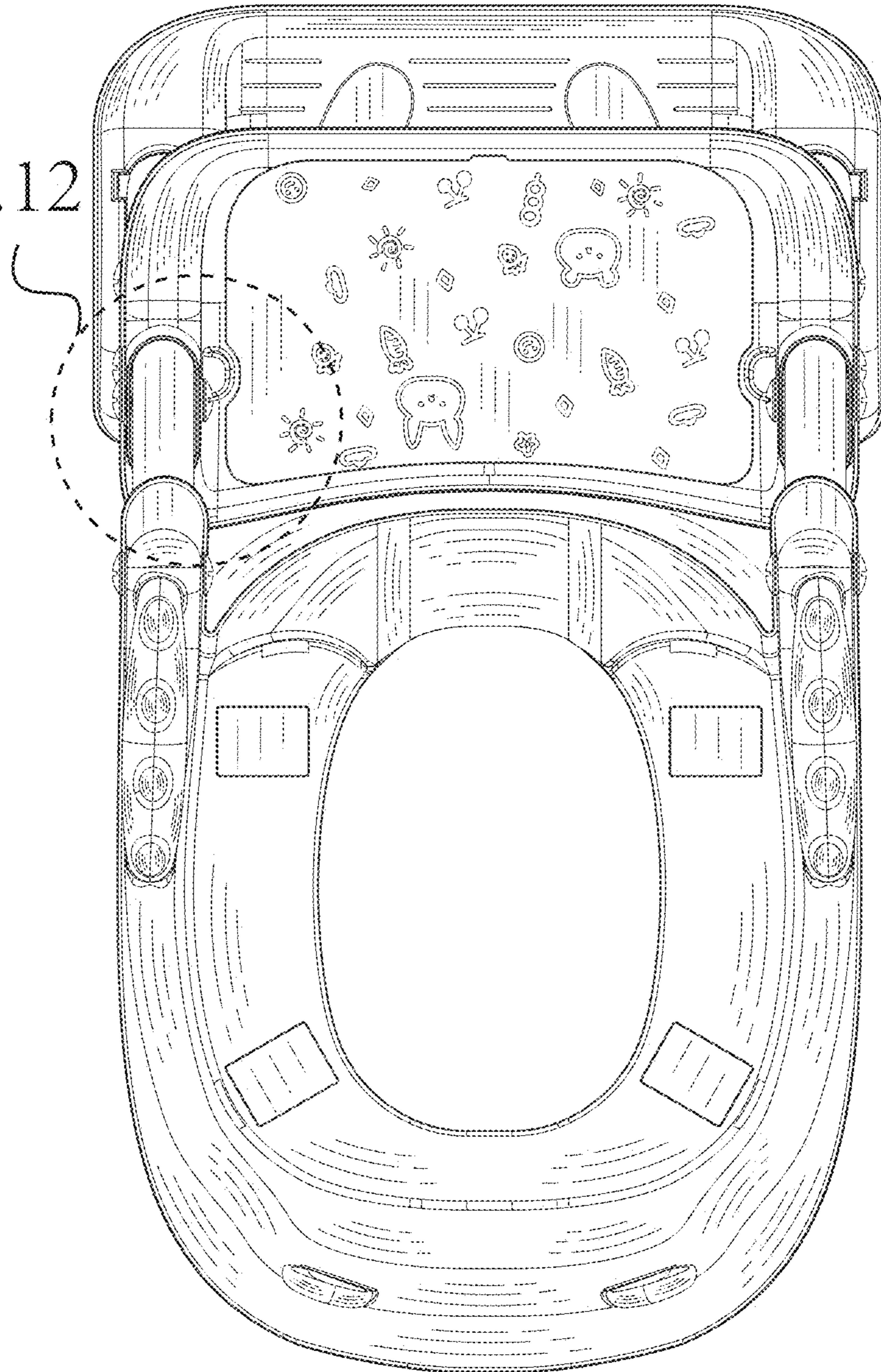


FIG. 6

FIG. 13

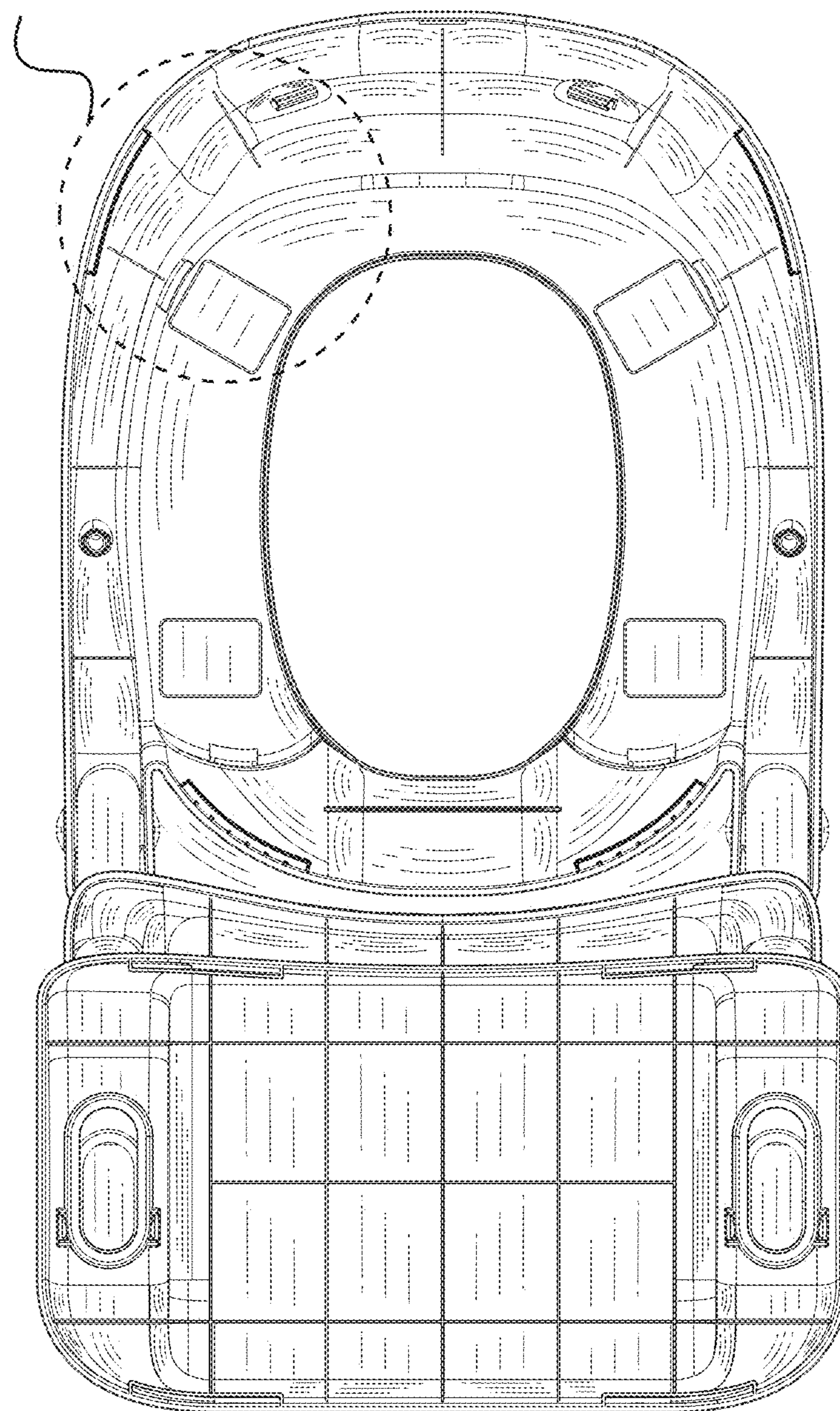


FIG. 7



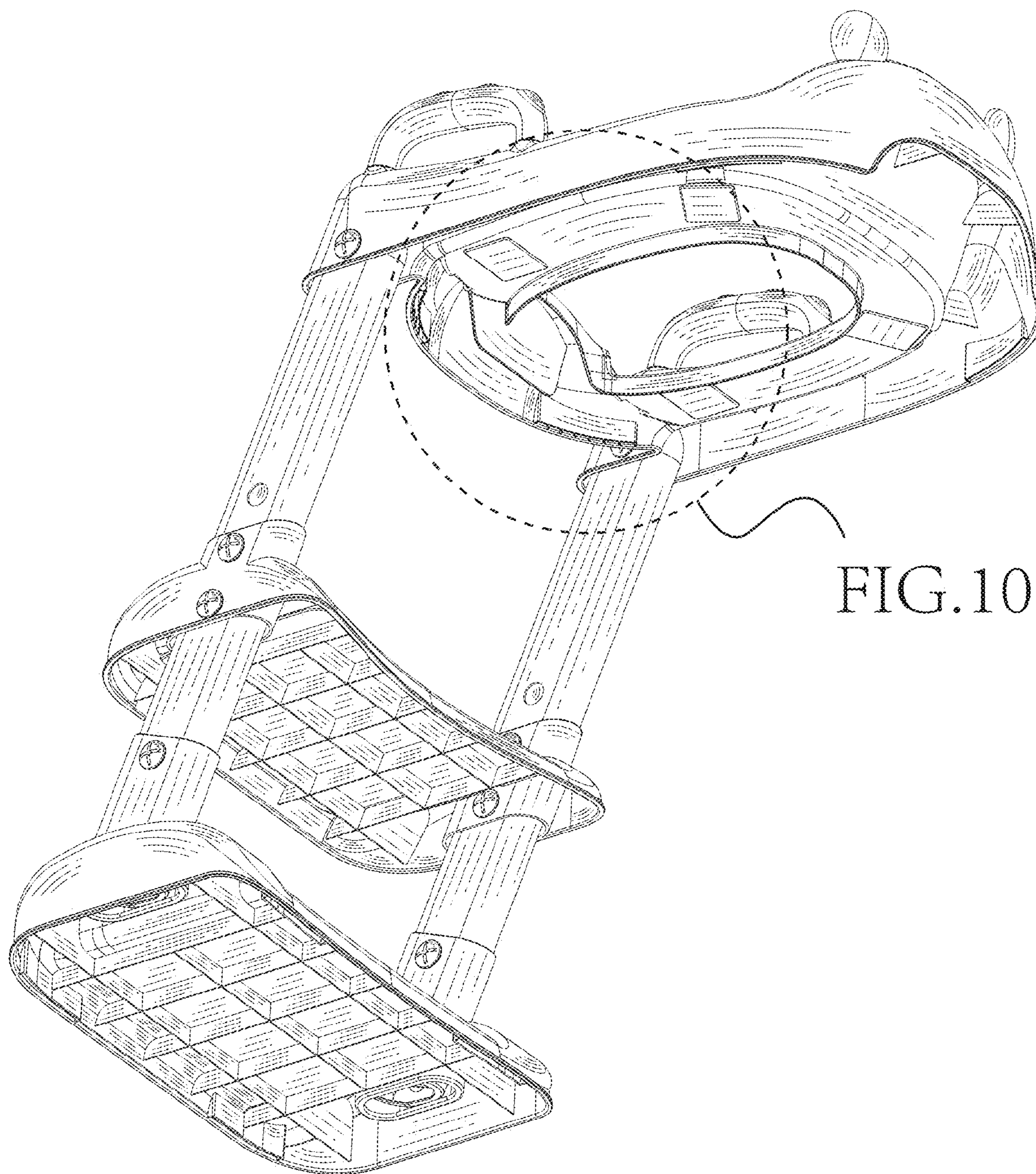


FIG. 10

FIG. 8

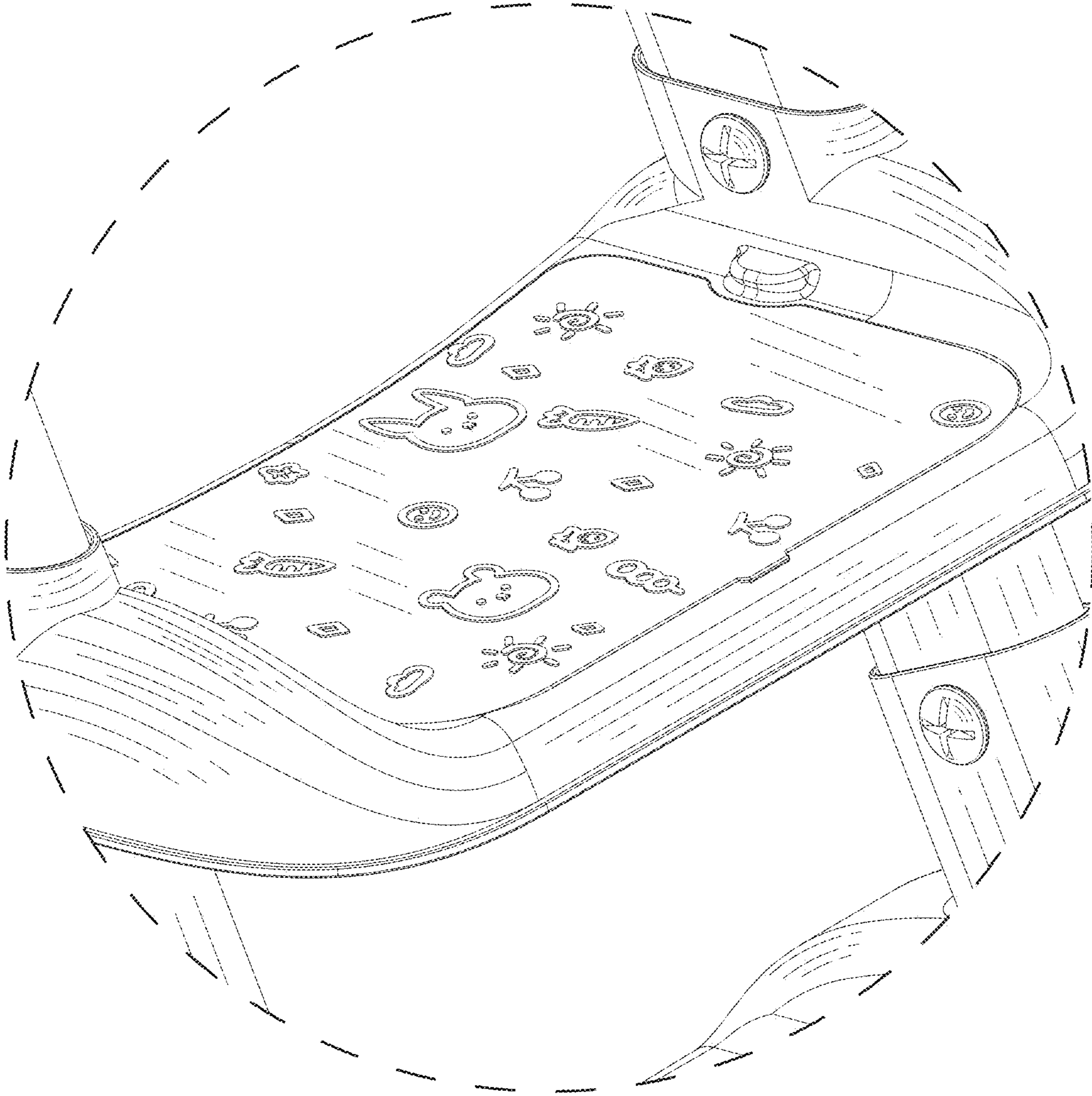


FIG. 9

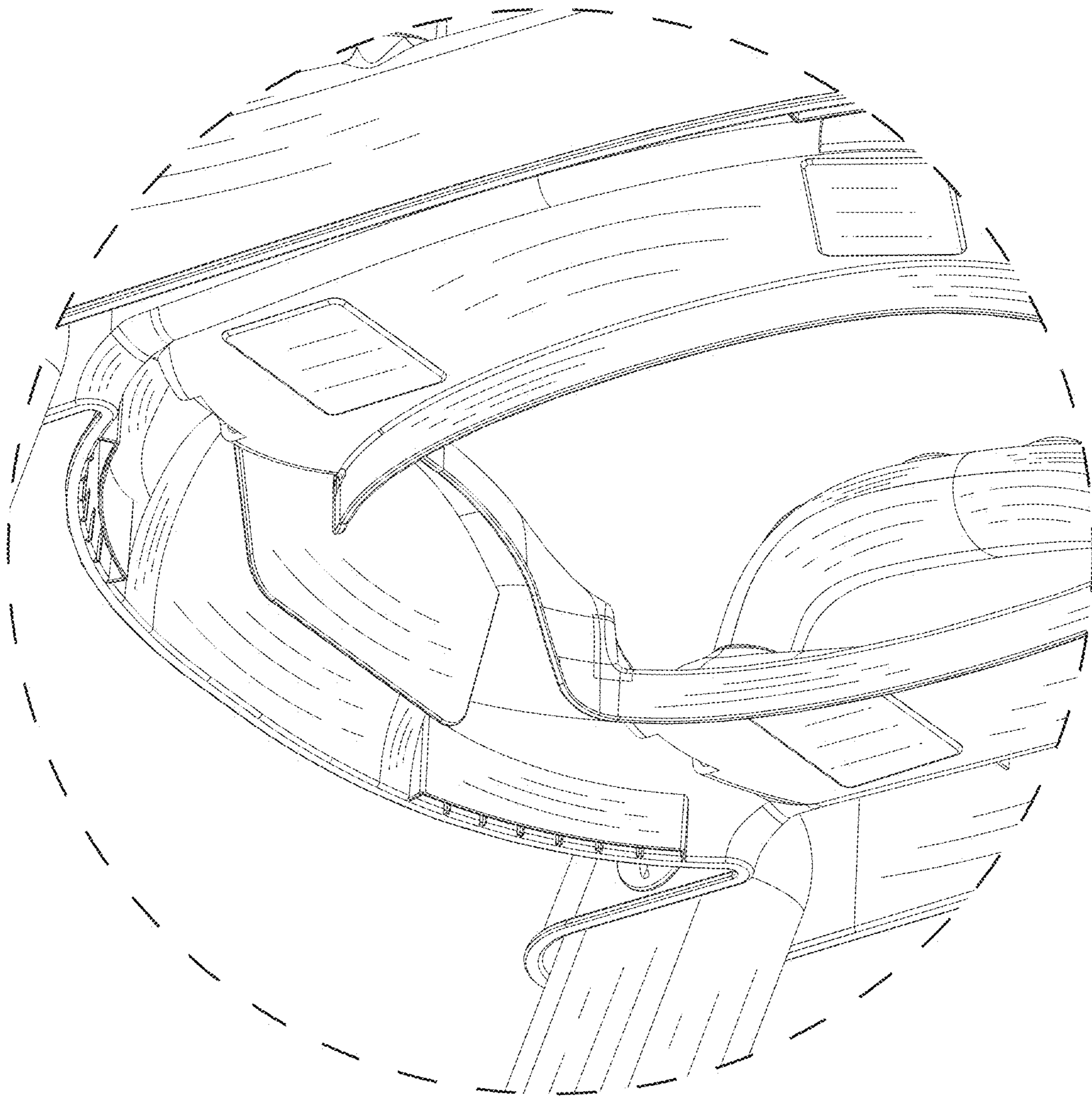


FIG. 10

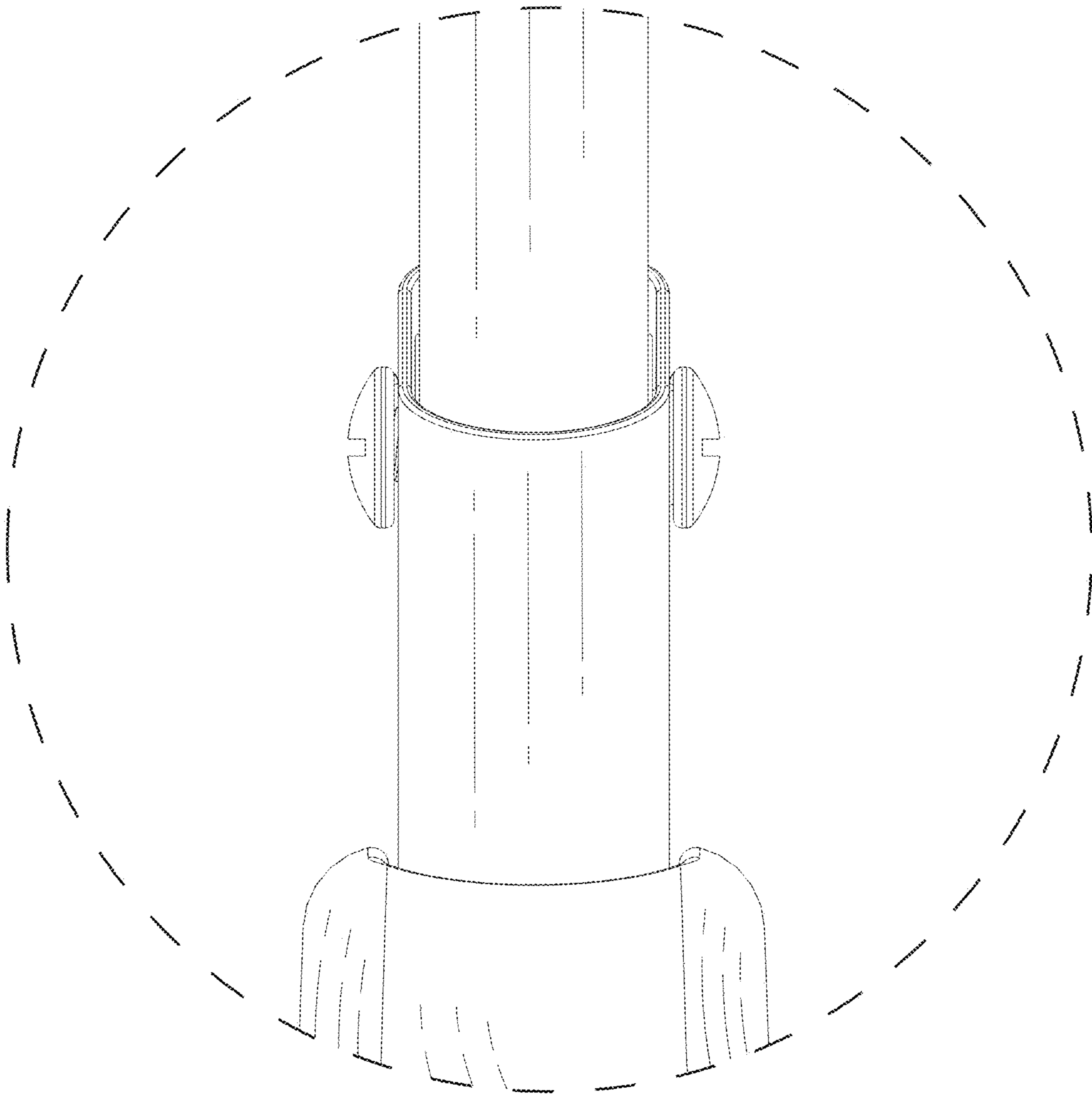


FIG. 11

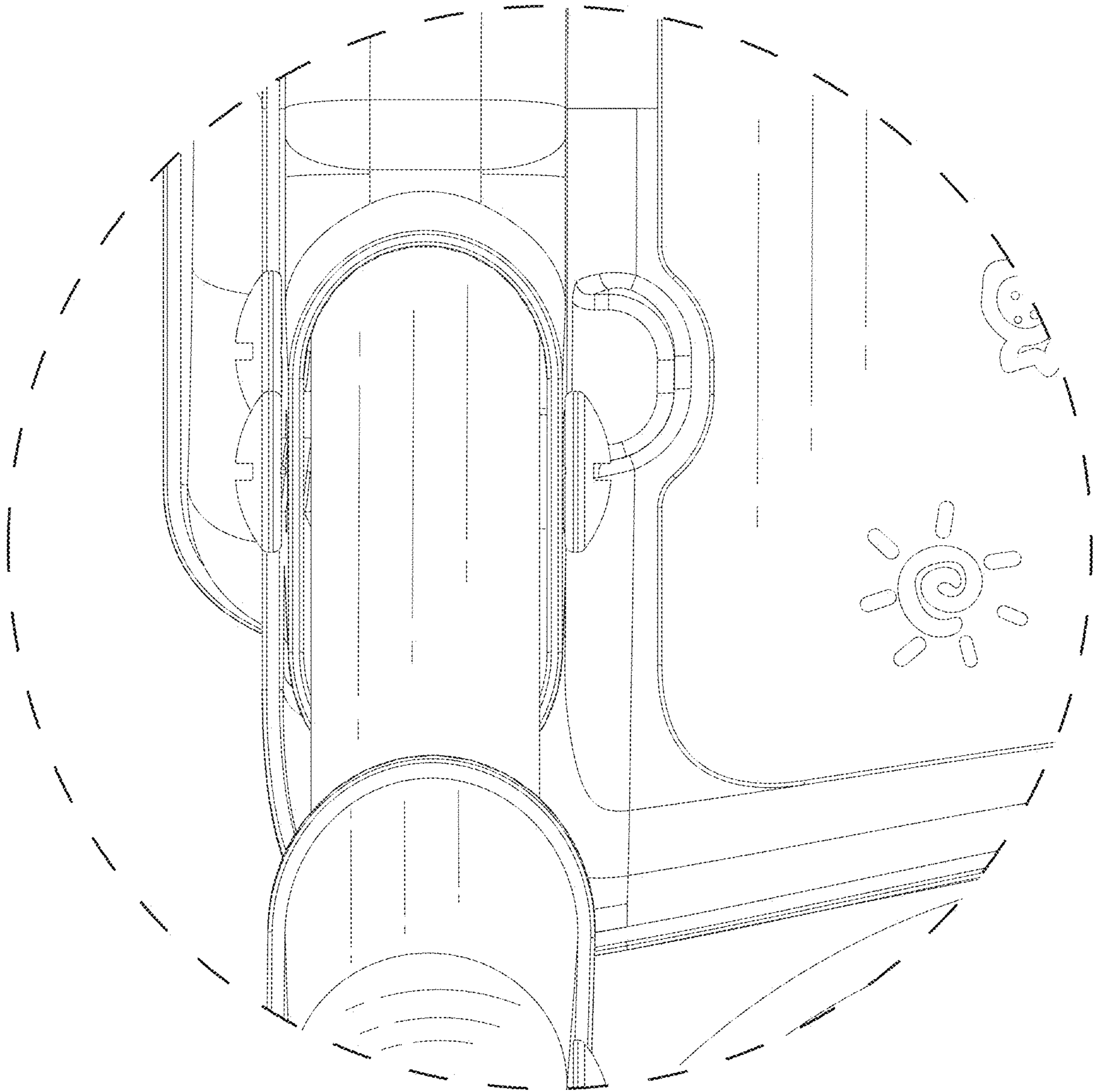


FIG. 12

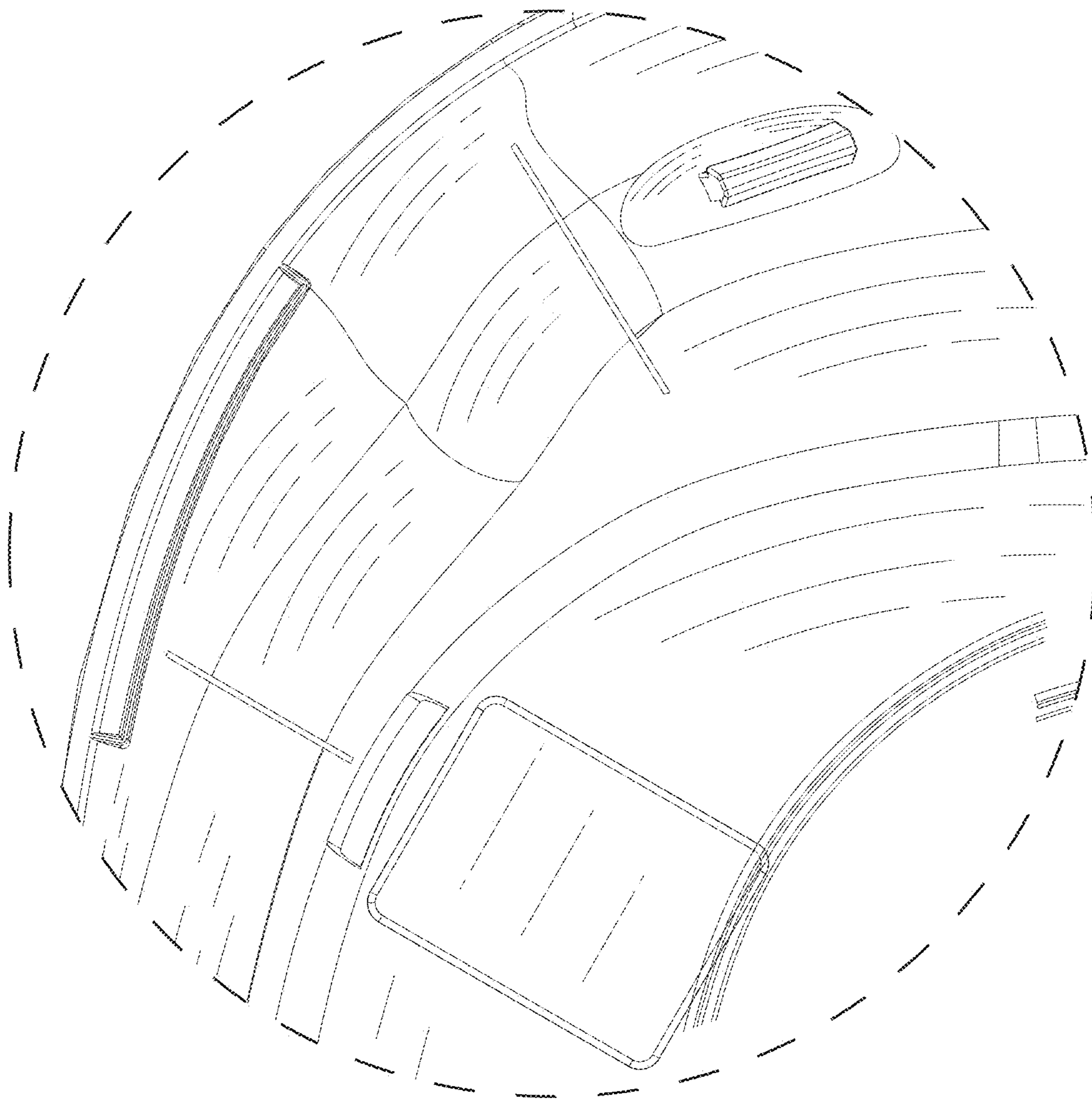


FIG. 13