

US00D982725S

(12) **United States Design Patent** (10) **Patent No.:** **US D982,725 S**
Earp (45) **Date of Patent:** **** Apr. 4, 2023**

(54) **FAUCET SPOUT**

(71) Applicant: **DELTA FAUCET COMPANY**,
Indianapolis, IN (US)

(72) Inventor: **Travis Earp**, Osprey, FL (US)

(73) Assignee: **DELTA FAUCET COMPANY**,
Indianapolis, IN (US)

(**) Term: **15 Years**

(21) Appl. No.: **29/775,381**

(22) Filed: **Mar. 23, 2021**

(51) **LOC (14) Cl.** **23-01**

(52) **U.S. Cl.**
USPC **D23/255**

(58) **Field of Classification Search**
USPC D23/201, 238-244, 252, 254-255, 257,
D23/499; D7/398
CPC F16K 31/602; F16K 31/605; F16K 31/607;
E03C 1/0412

See application file for complete search history.

(56) **References Cited**

U.S. PATENT DOCUMENTS

5,226,935	A	*	7/1993	Wolff	F24F 6/04
						96/240
D437,629	S	*	2/2001	Safer	D23/201
D470,215	S	*	2/2003	Lussier	D11/131
D483,437	S	*	12/2003	Lussier	D23/201
D582,509	S	*	12/2008	Konkle	D23/201
D864,958	S	*	10/2019	Yukse	D14/349

OTHER PUBLICATIONS

Alpine Mirror Waterfall Fountain, first available Oct. 31, 2011[online],
[site visited Jul. 15, 2022]. Available from internet, URL:<https://
www.amazon.ca/dp/B002NHJD4M> (Year: 2011).*

Alpine CPS182 Metal Tiered Waterfall Fountain, first available Jun.
6, 2018 [online], [site visited Jul. 15, 2022], Available from internet,
URL:<https://www.amazon.ca/dp/B07DG4HCJ8> (Year: 2018).*

* cited by examiner

Primary Examiner — David G Muller

Assistant Examiner — Jamaal Rasheed

(74) *Attorney, Agent, or Firm* — Jeffrey L. Doyle

(57) **CLAIM**

The ornamental design for a faucet spout, as shown and
described.

DESCRIPTION

FIG. 1 is a front perspective view of a faucet spout showing
my new design;

FIG. 2 is another perspective view thereof;

FIG. 3 is a right side view thereof;

FIG. 4 is a front elevational view thereof;

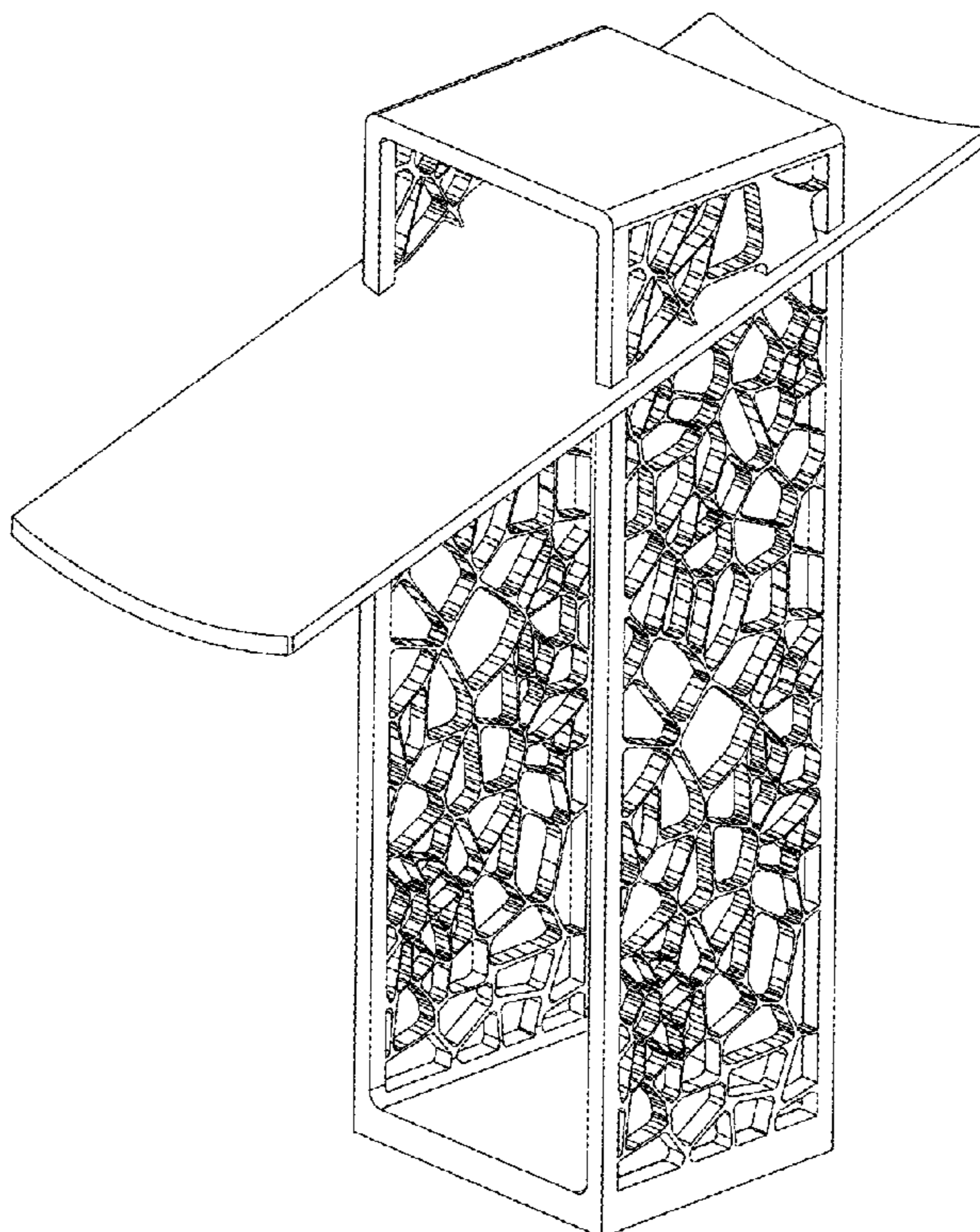
FIG. 5 is a left side view thereof;

FIG. 6 is a rear elevational view thereof;

FIG. 7 is a top plan view thereof; and,

FIG. 8 is a bottom view thereof.

1 Claim, 4 Drawing Sheets



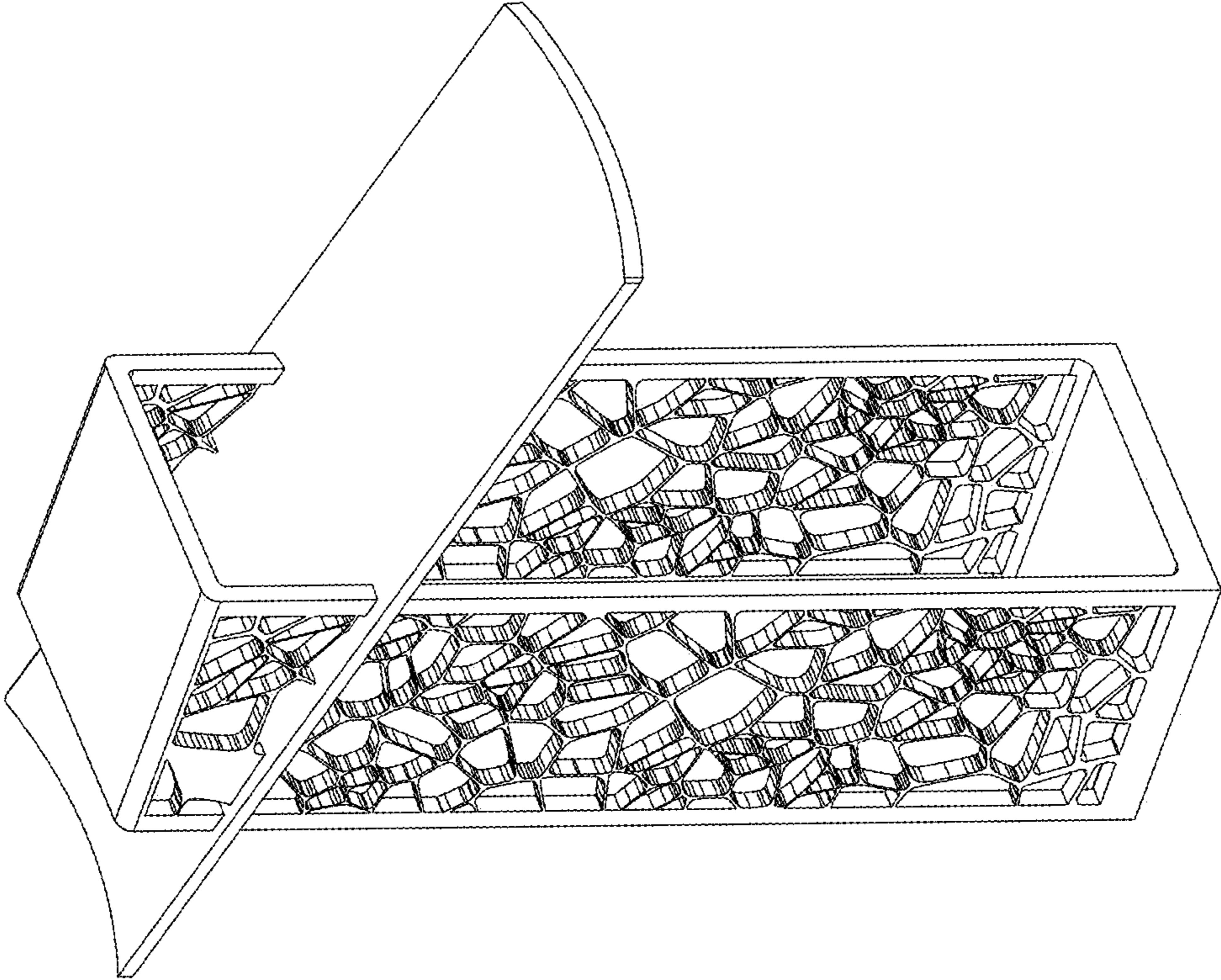


FIG - 1

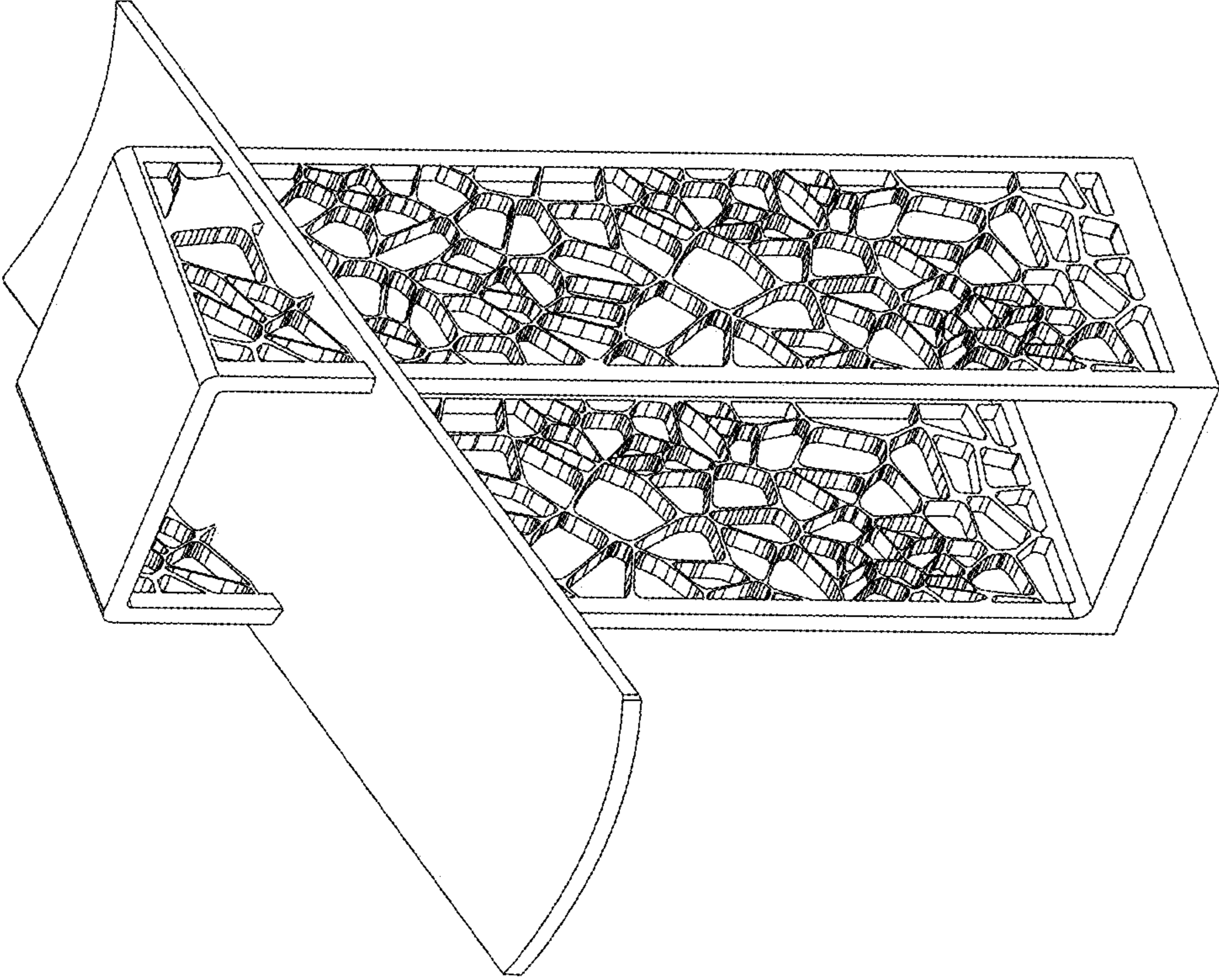


FIG - 2

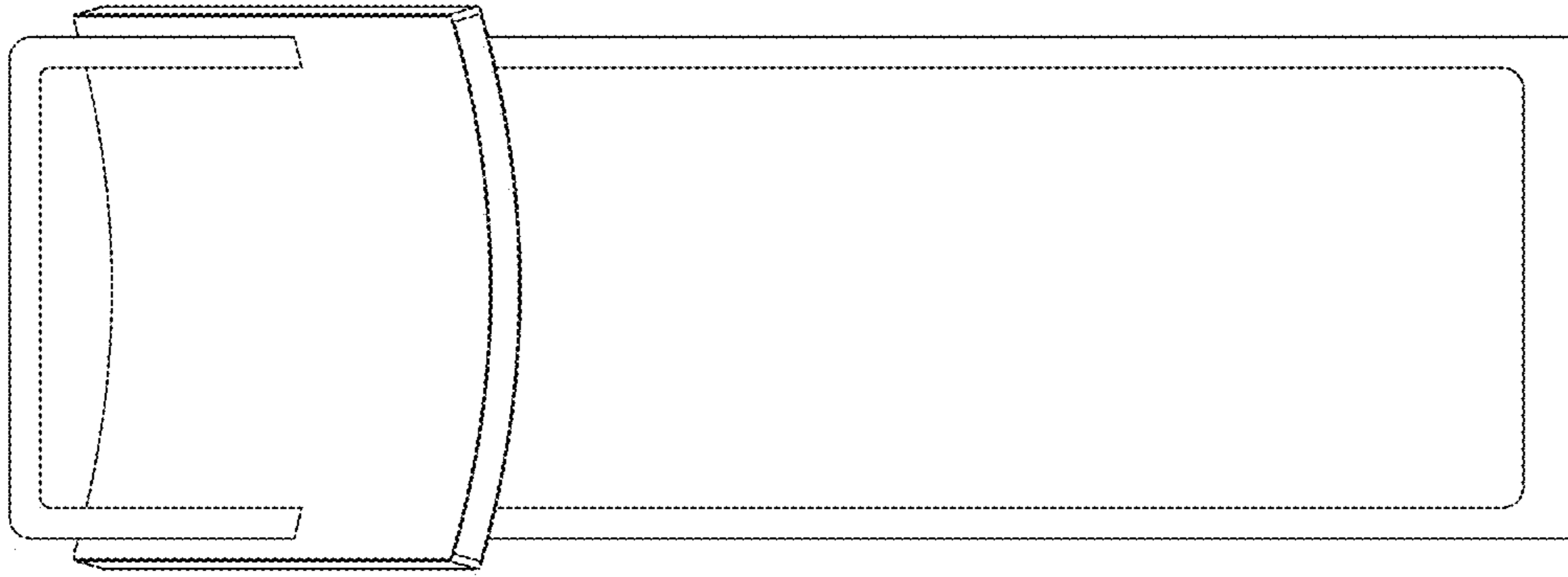


FIG - 4

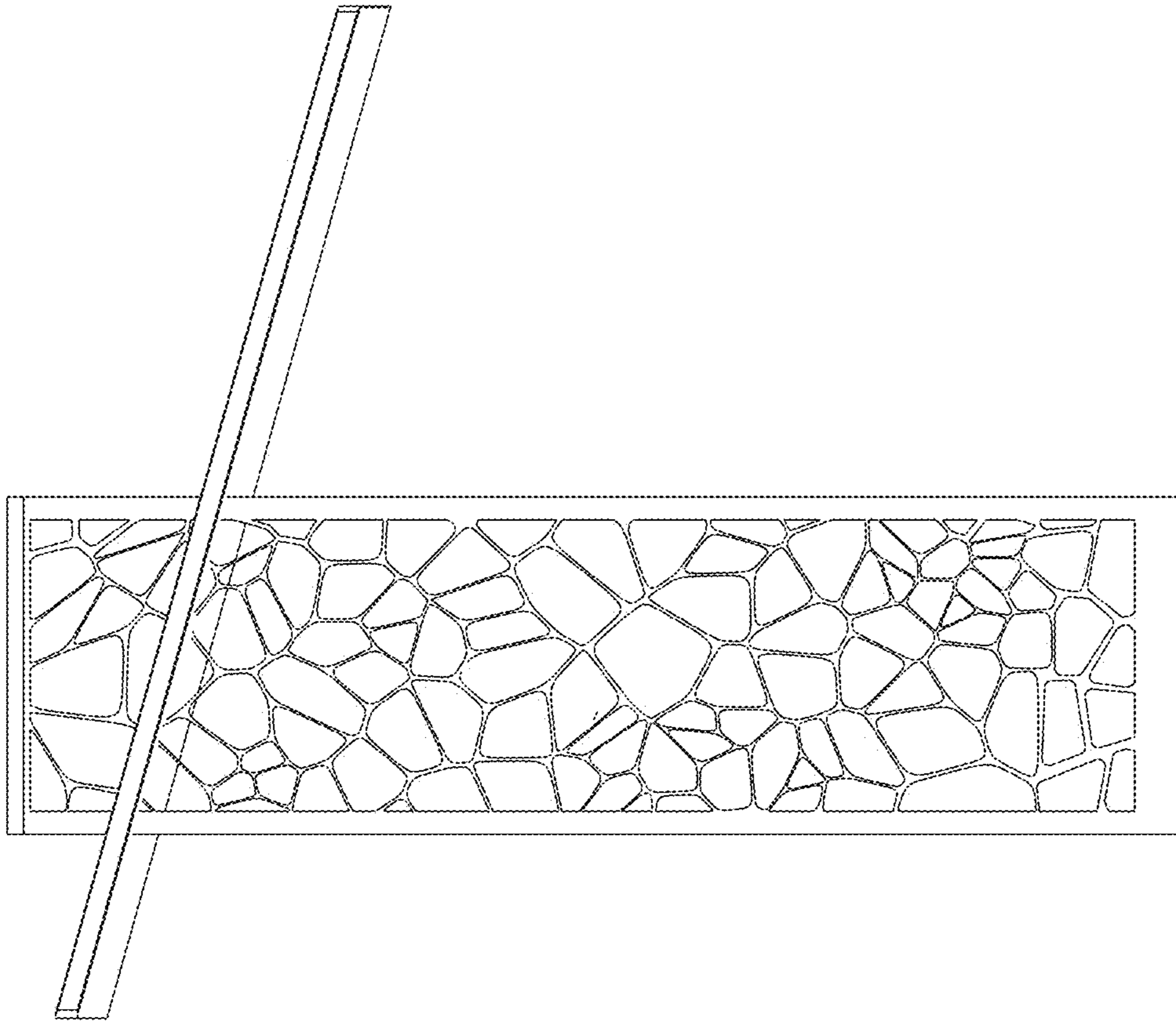


FIG - 3

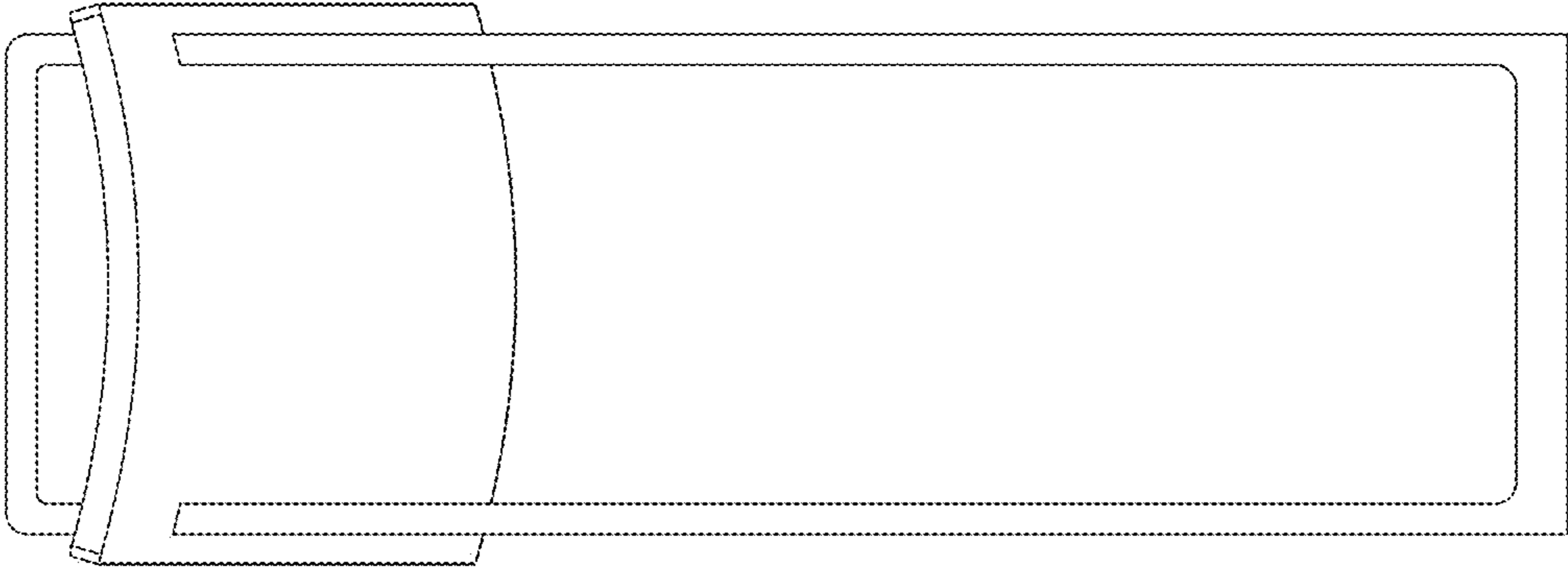


FIG - 6

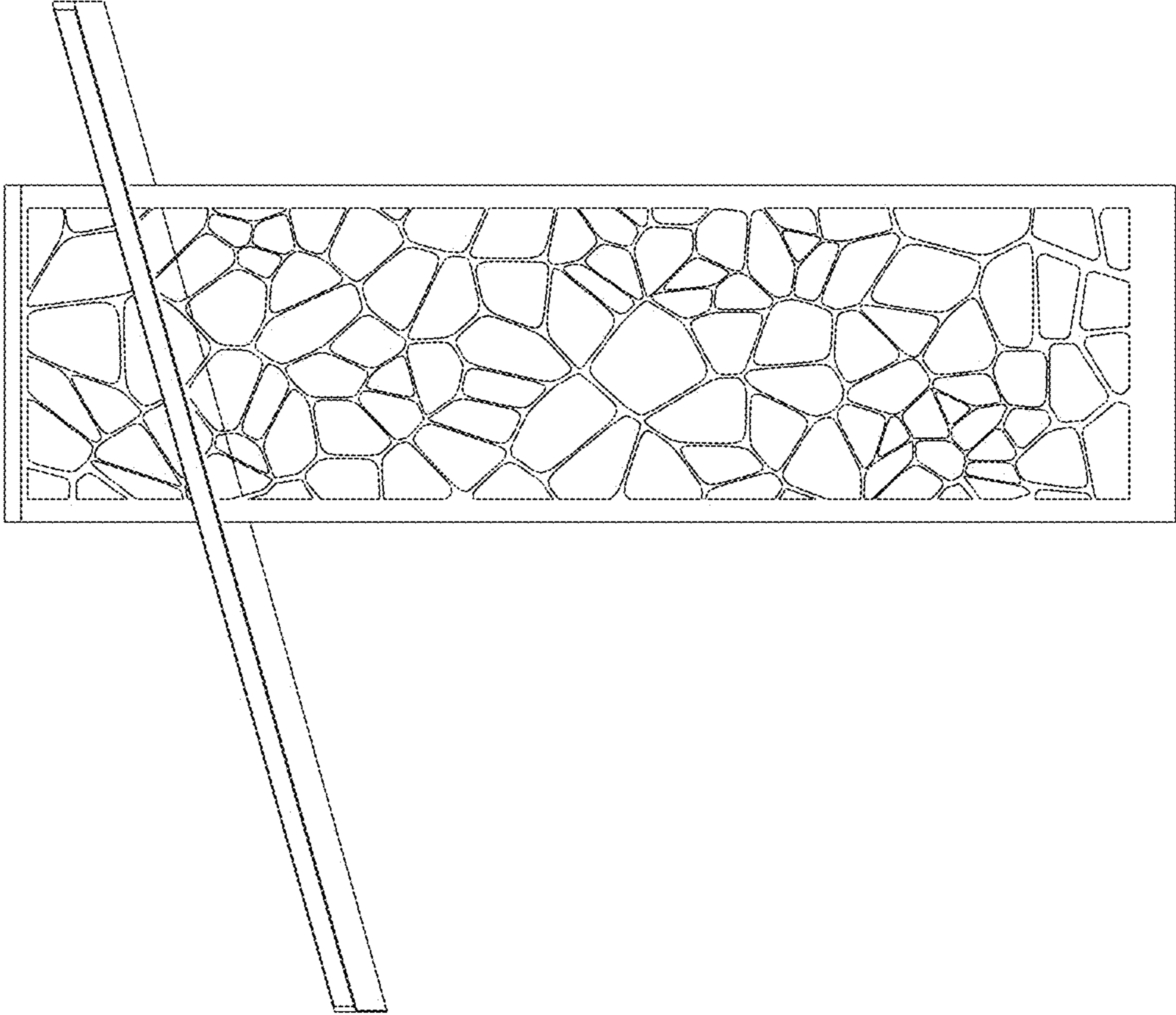


FIG - 5

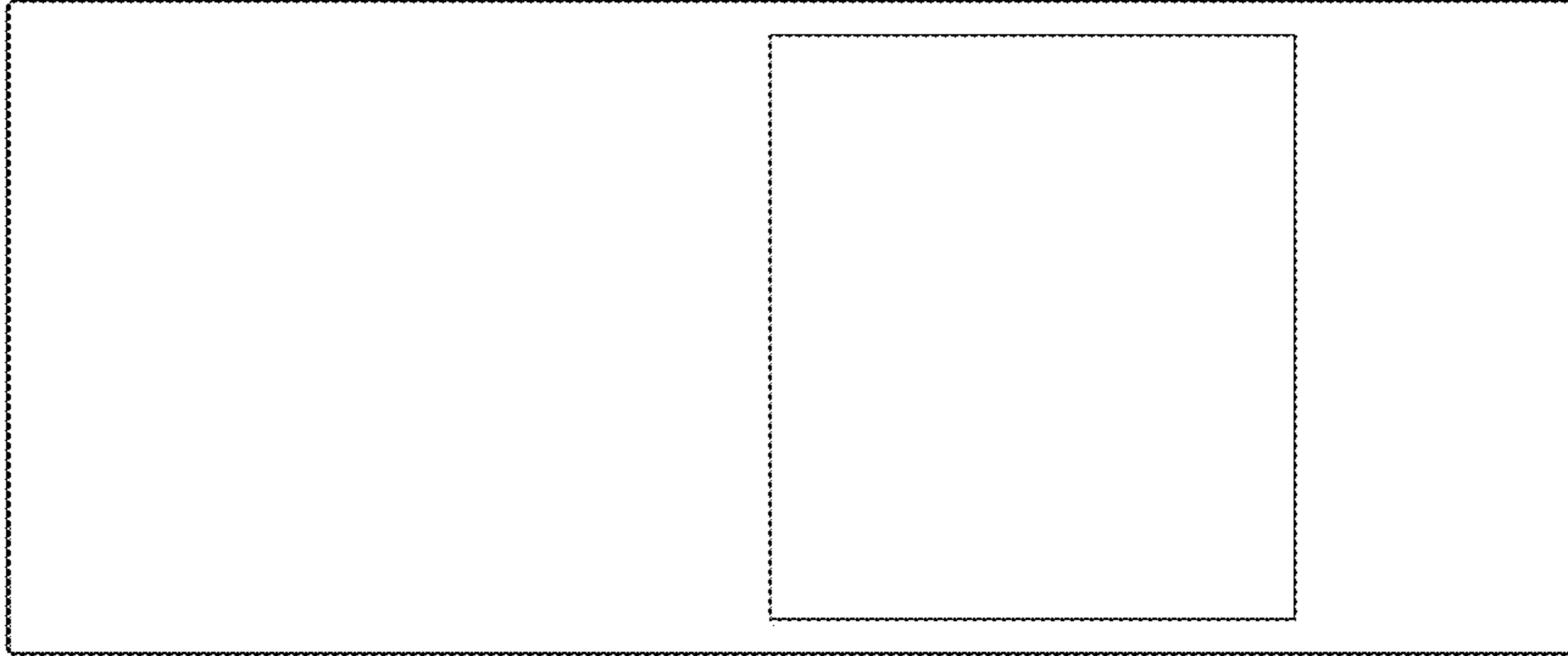


FIG - 8

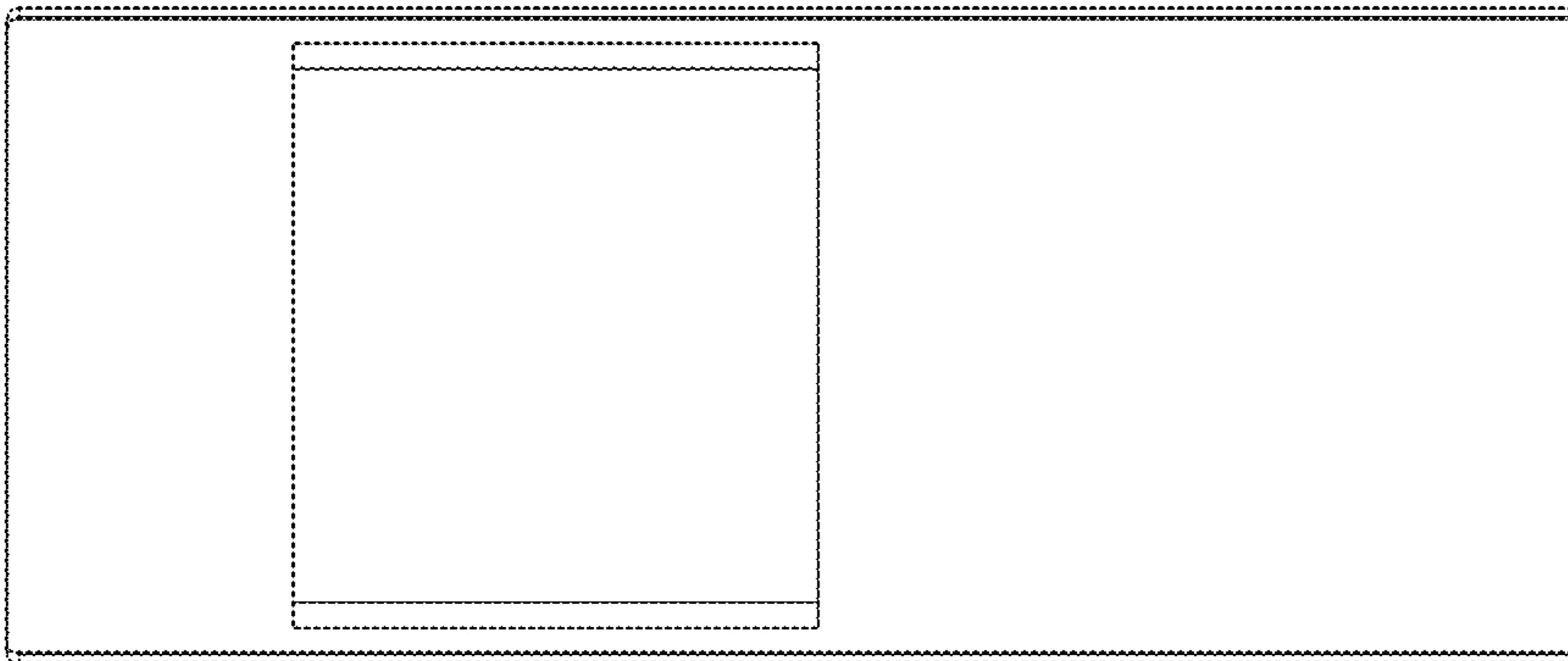


FIG - 7