



US00D982724S

(12) **United States Design Patent**
Stoler

(10) **Patent No.:** **US D982,724 S**

(45) **Date of Patent:** **** Apr. 4, 2023**

(54) **SOAP DISPENSER**

(71) Applicant: **DELTA FAUCET COMPANY,**
Indianapolis, IN (US)

(72) Inventor: **Benjamin Stoler,** Carmel, IN (US)

(73) Assignee: **DELTA FAUCET COMPANY,**
Indianapolis, IN (US)

(**) Term: **15 Years**

(21) Appl. No.: **29/766,639**

(22) Filed: **Jan. 17, 2021**

(51) **LOC (14) Cl.** **23-01**

(52) **U.S. Cl.**
USPC **D23/255**

(58) **Field of Classification Search**
USPC D6/542, 515, 518, 520, 553, 663, 513,
D6/676; D4/199; D32/35, 54; D7/306;
D23/234, 270, 205, 231, 238, 255, 364,
D23/245, 248, 262, 263, 242, 250, 252
CPC A47K 4/00; A47K 1/02; A47K 2210/00;
B05B 11/3035

See application file for complete search history.

(56) **References Cited**

U.S. PATENT DOCUMENTS

D472,308 S * 3/2003 Hundley D23/257
D521,612 S * 5/2006 Fritz D23/255
D524,426 S * 7/2006 Sallick D23/255
D570,960 S * 6/2008 Semchuck D23/242
D615,629 S * 5/2010 Bouroullec D23/255

D622,361 S * 8/2010 Lammel D23/255
D652,899 S * 1/2012 Citterio D23/255
D741,453 S * 10/2015 Bahler D23/242
D856,485 S * 8/2019 Gessi D23/238
D941,962 S * 1/2022 Abel D23/242

OTHER PUBLICATIONS

Faucet w/Sensor, avail, in kbauthority.com, customer review oldest date Mar. 3, 2017[online], Retrieved on Sep. 8, 2022 from URL: <https://www.kbauthority.com/watermark-23-2-17-aut-dp3-pn-loft-or-titanium-4-1-4-inch-single-hole-deck-mount-automatic-bathroom-faucet-with-sensor-polished-nickel-touchfree.html> (Year: 2017).*

* cited by examiner

Primary Examiner — Vy N Koenig

Assistant Examiner — Michelle M Reeves

(74) *Attorney, Agent, or Firm* — Jeffrey L. Doyle

(57) **CLAIM**

The ornamental design for a soap dispenser, as shown and described.

DESCRIPTION

FIG. 1 is a front perspective view of a soap dispenser showing my new design;

FIG. 2 is a rear perspective view thereof;

FIG. 3 is a front elevational view thereof;

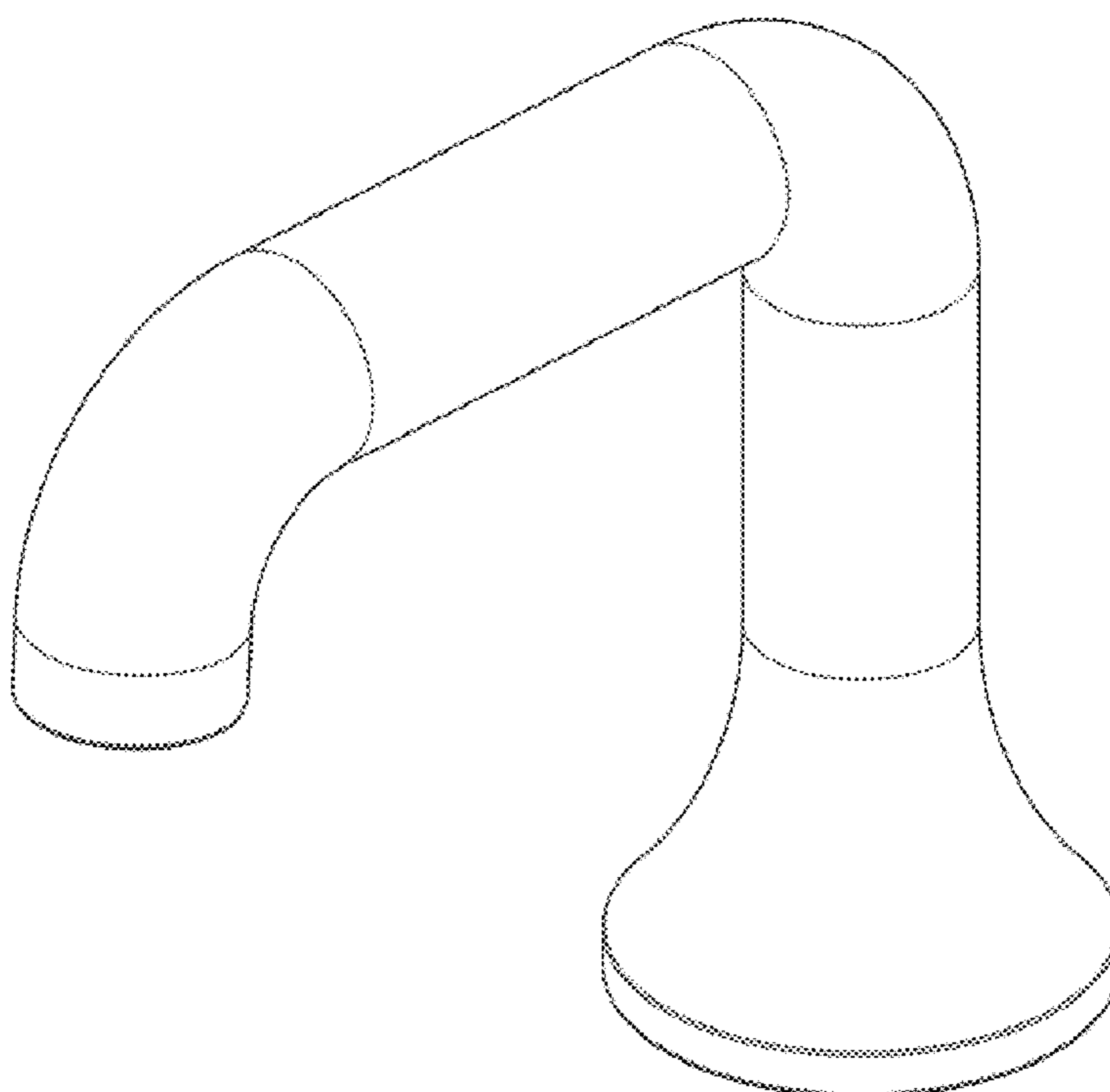
FIG. 4 is a left side view thereof;

FIG. 5 is a rear view thereof;

FIG. 6 is a right side view thereof; and,

FIG. 7 is a top plan view thereof.

1 Claim, 4 Drawing Sheets



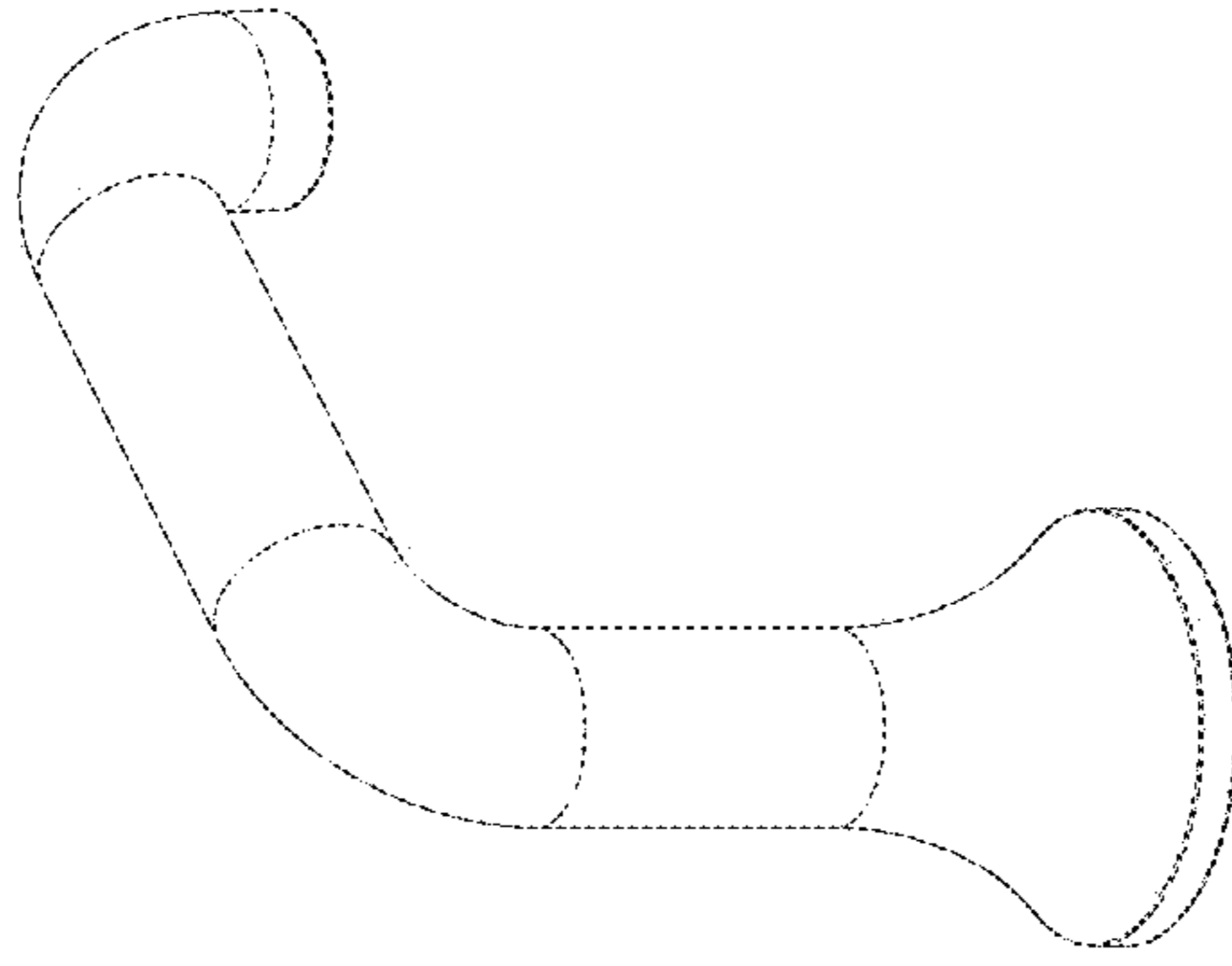


FIG - 2

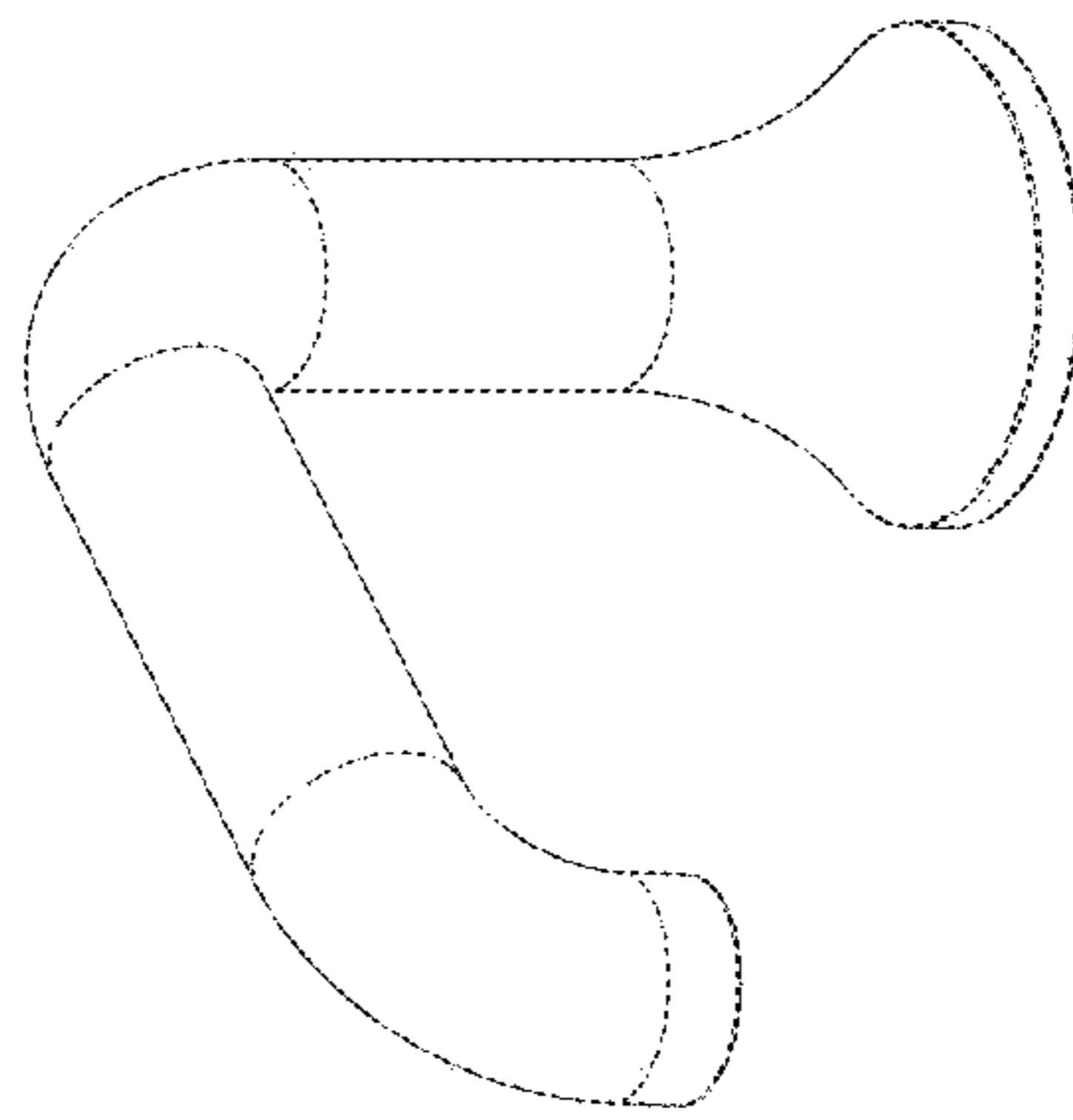


FIG - 1

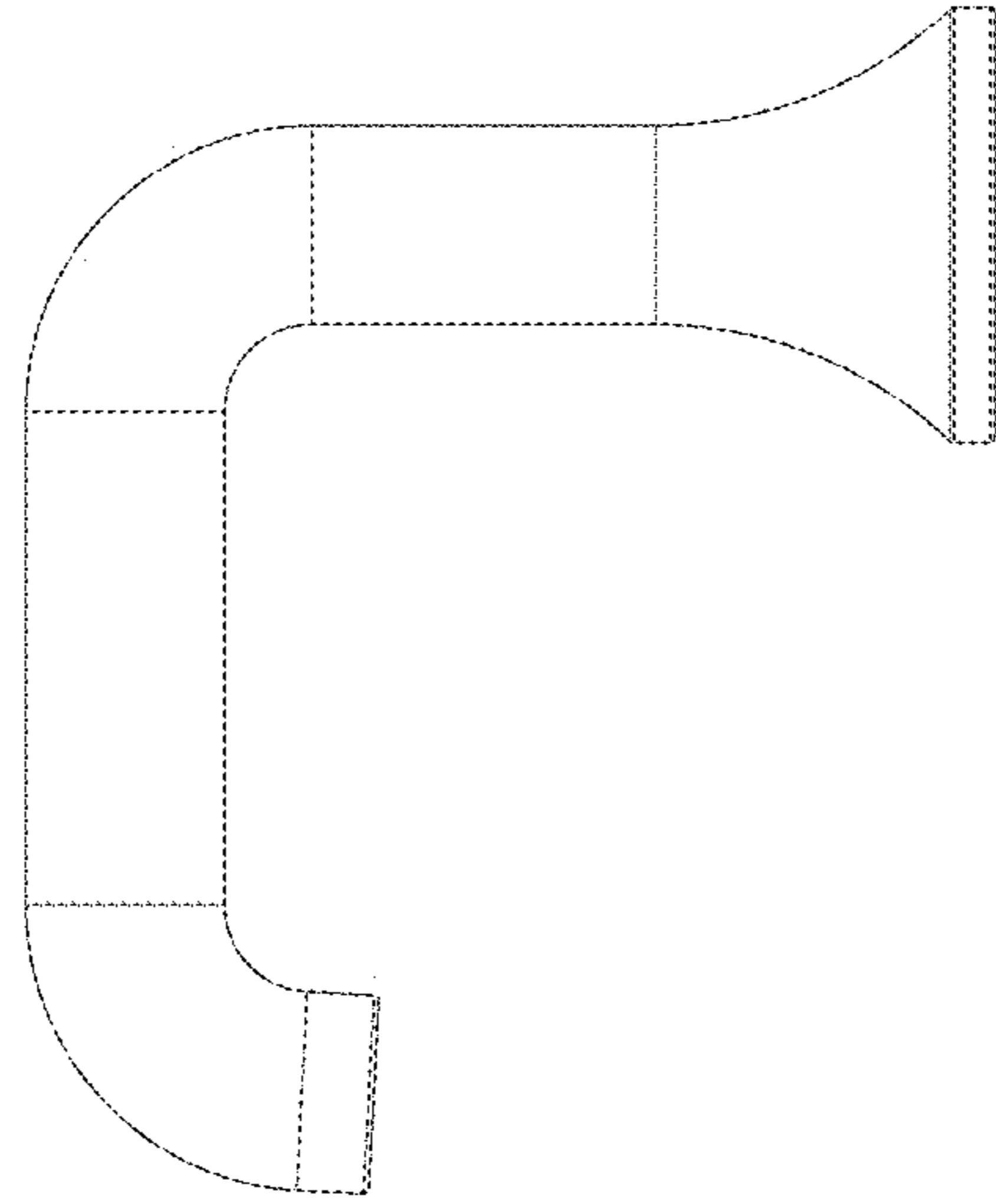


FIG - 3

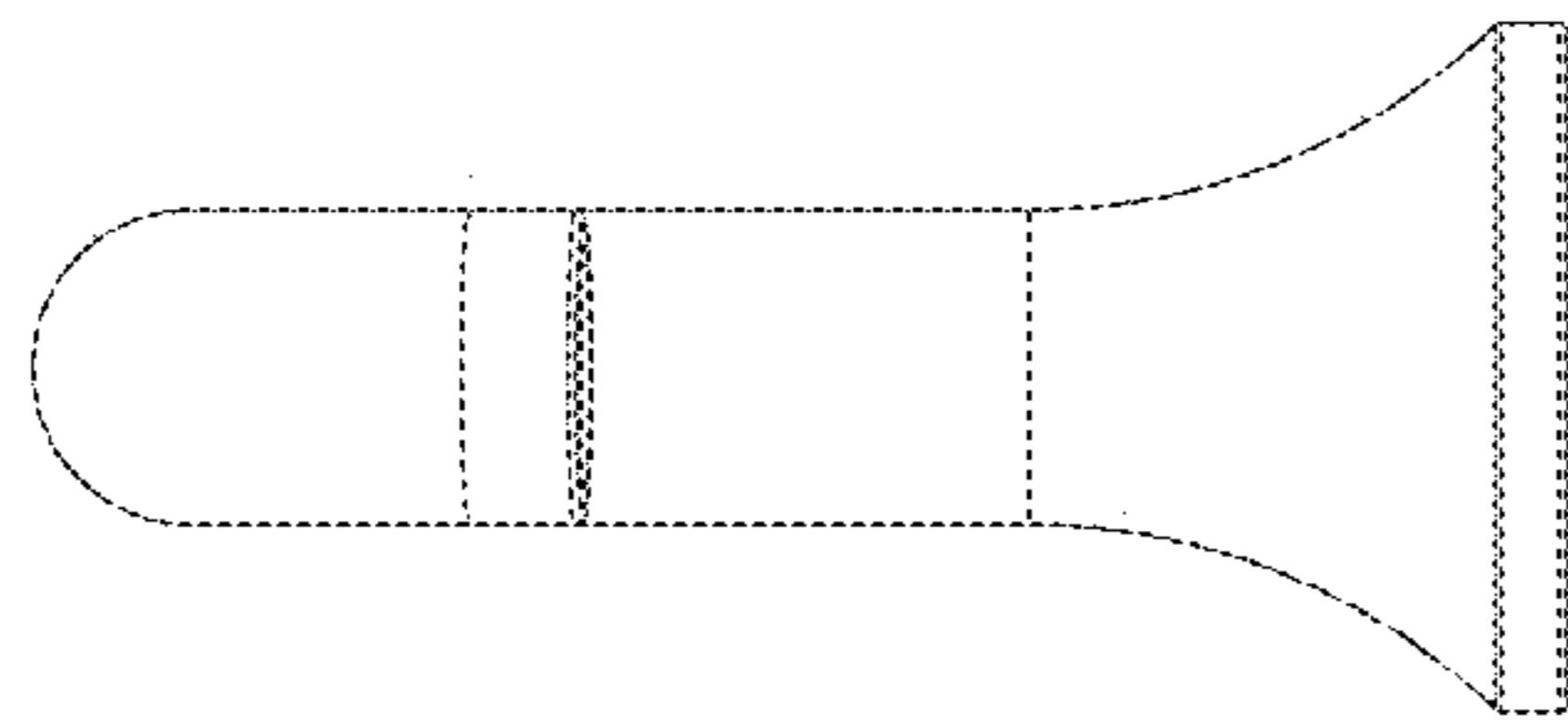


FIG - 4

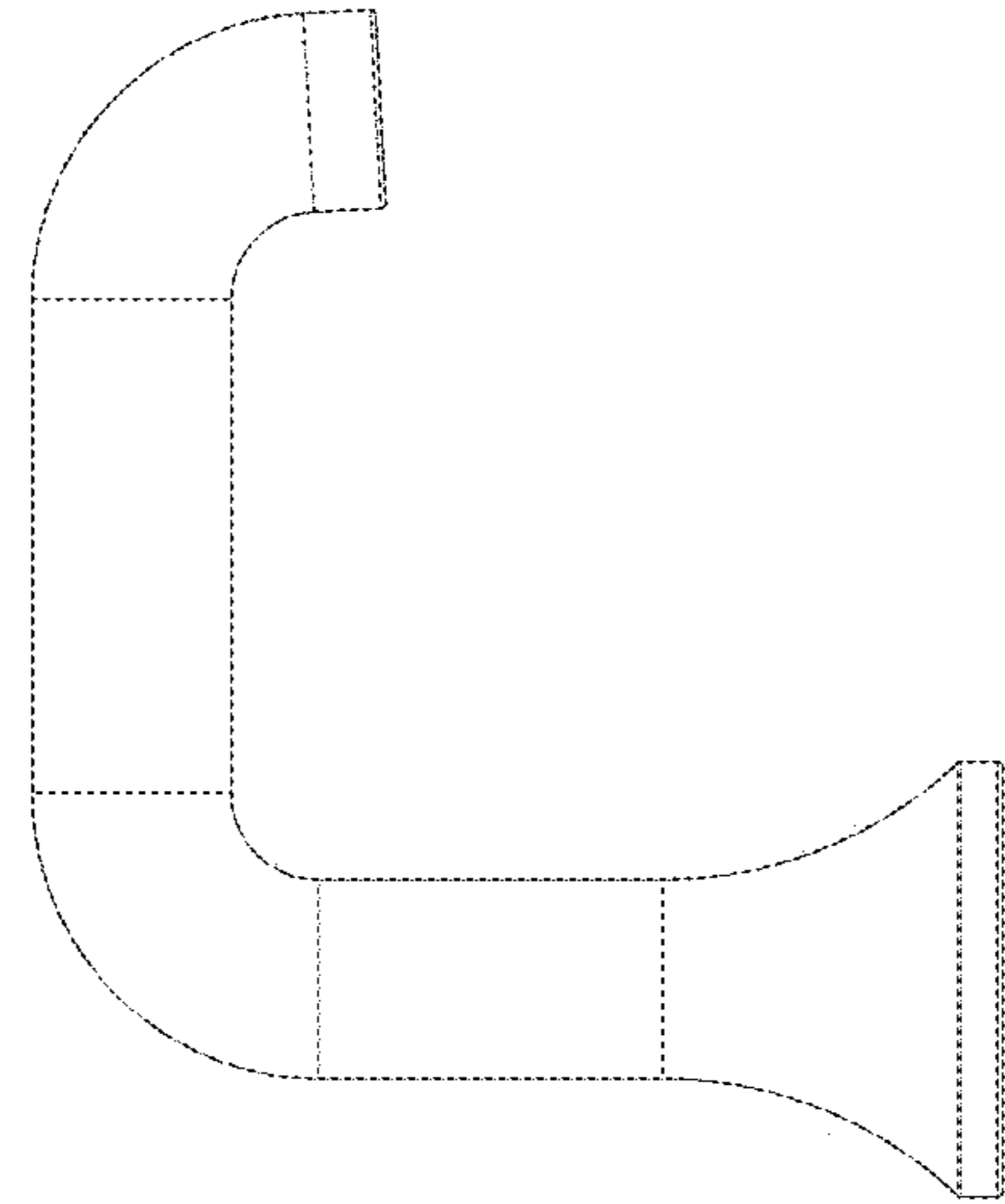


FIG - 6

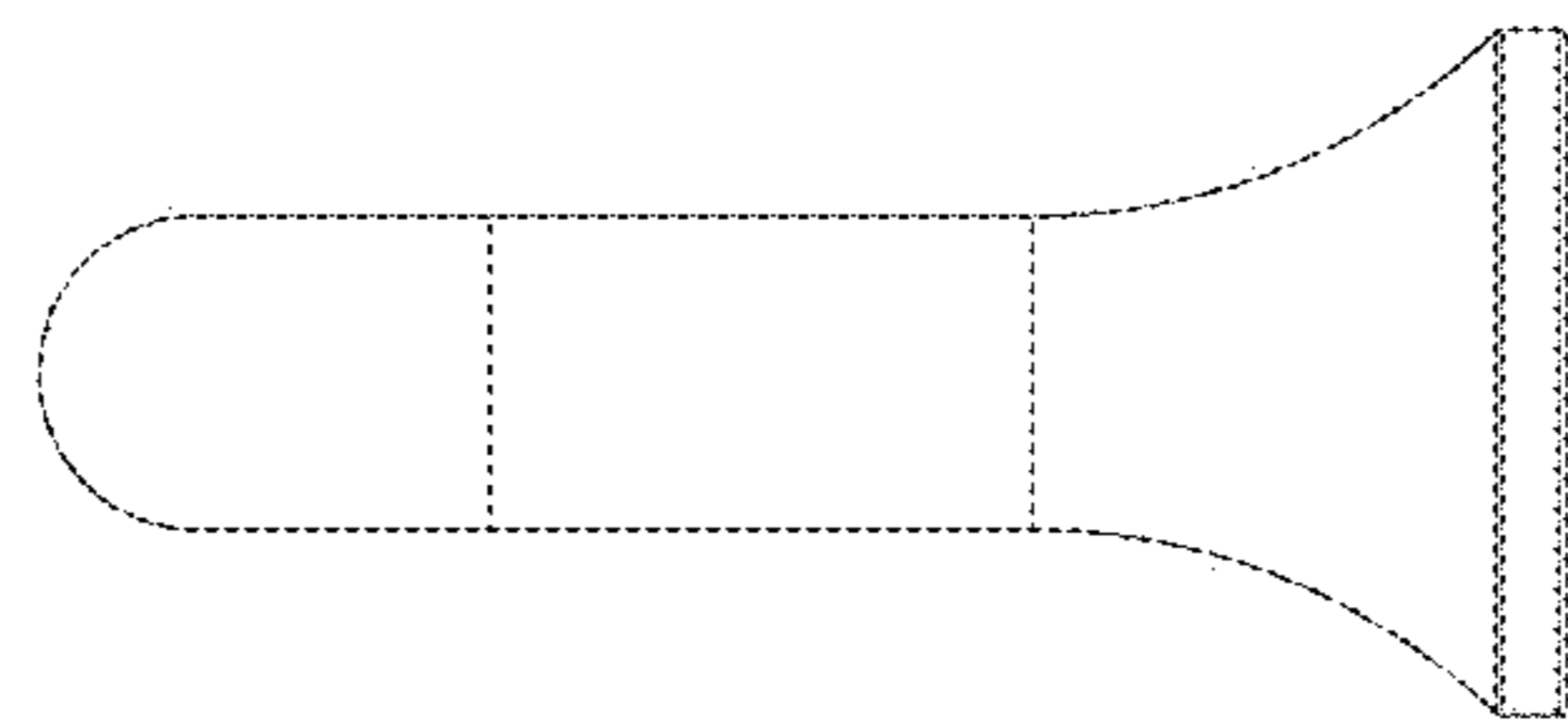


FIG - 5

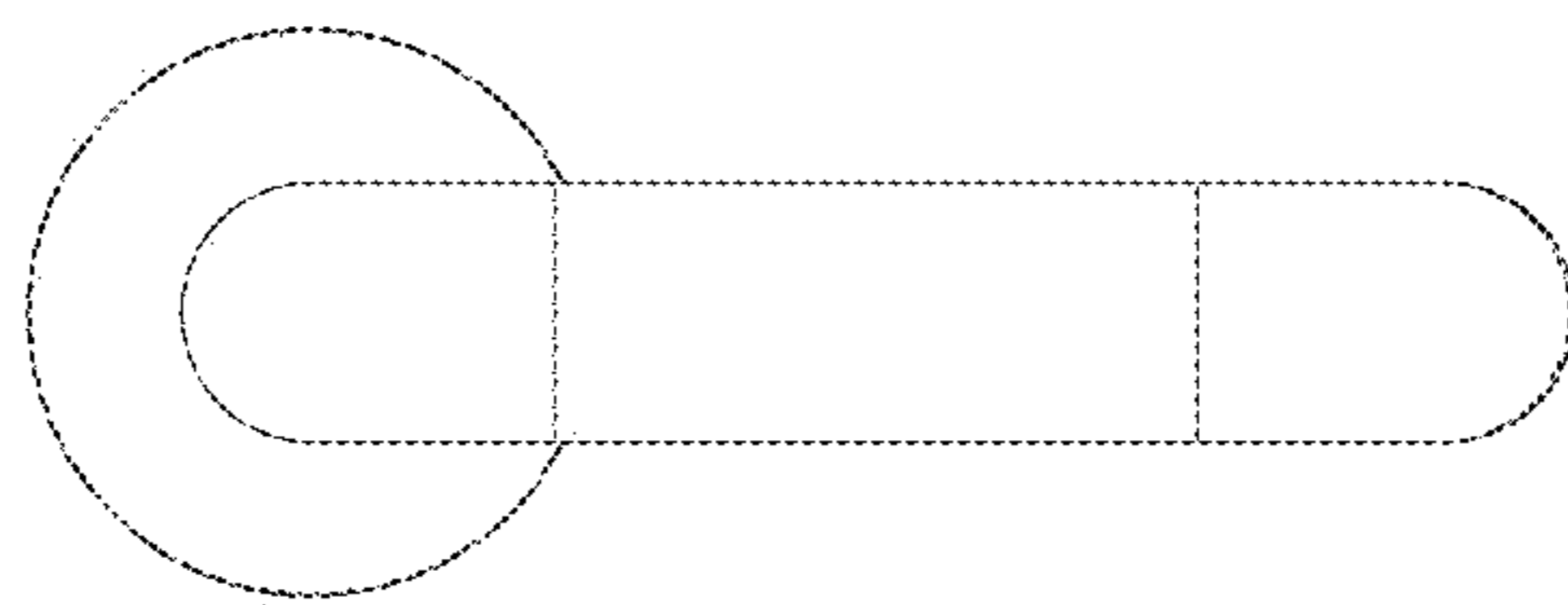


FIG - 7