



US00D982723S

(12) **United States Design Patent**
Fritz

(10) **Patent No.:** **US D982,723 S**

(45) **Date of Patent:** **** Apr. 4, 2023**

(54) **FAUCET HANDLE**

(71) Applicant: **DELTA FAUCET COMPANY,**
Indianapolis, IN (US)

(72) Inventor: **Seth Fritz,** Carmel, IN (US)

(73) Assignee: **DELTA FAUCET COMPANY,**
Indianapolis, IN (US)

(**) Term: **15 Years**

(21) Appl. No.: **29/804,647**

(22) Filed: **Aug. 22, 2021**

(51) **LOC (14) Cl.** **23-01**

(52) **U.S. Cl.**
USPC **D23/252**

(58) **Field of Classification Search**
USPC D23/238, 241–243, 249, 239–240, 250,
D23/252–254; D8/307–308, 353
See application file for complete search history.

(56) **References Cited**

U.S. PATENT DOCUMENTS

D454,622 S * 3/2002 Isaacs D23/254
D483,093 S * 12/2003 Bates D23/252

D546,422 S * 7/2007 Mullenmeister D23/250
D579,306 S * 10/2008 Singtoroj D8/308
D871,554 S * 12/2019 Garland D23/252
D954,221 S * 6/2022 Fritz D23/252

* cited by examiner

Primary Examiner — Robert A Delehanty

(74) *Attorney, Agent, or Firm* — Jeffrey L. Doyle

(57) **CLAIM**

The ornamental design for a faucet handle, as shown and described.

DESCRIPTION

FIG. 1 is a front perspective view of a faucet handle showing my new design;

FIG. 2 is a rear perspective view thereof;

FIG. 3 is a front elevational view thereof;

FIG. 4 is a left side view thereof;

FIG. 5 is a rear view thereof;

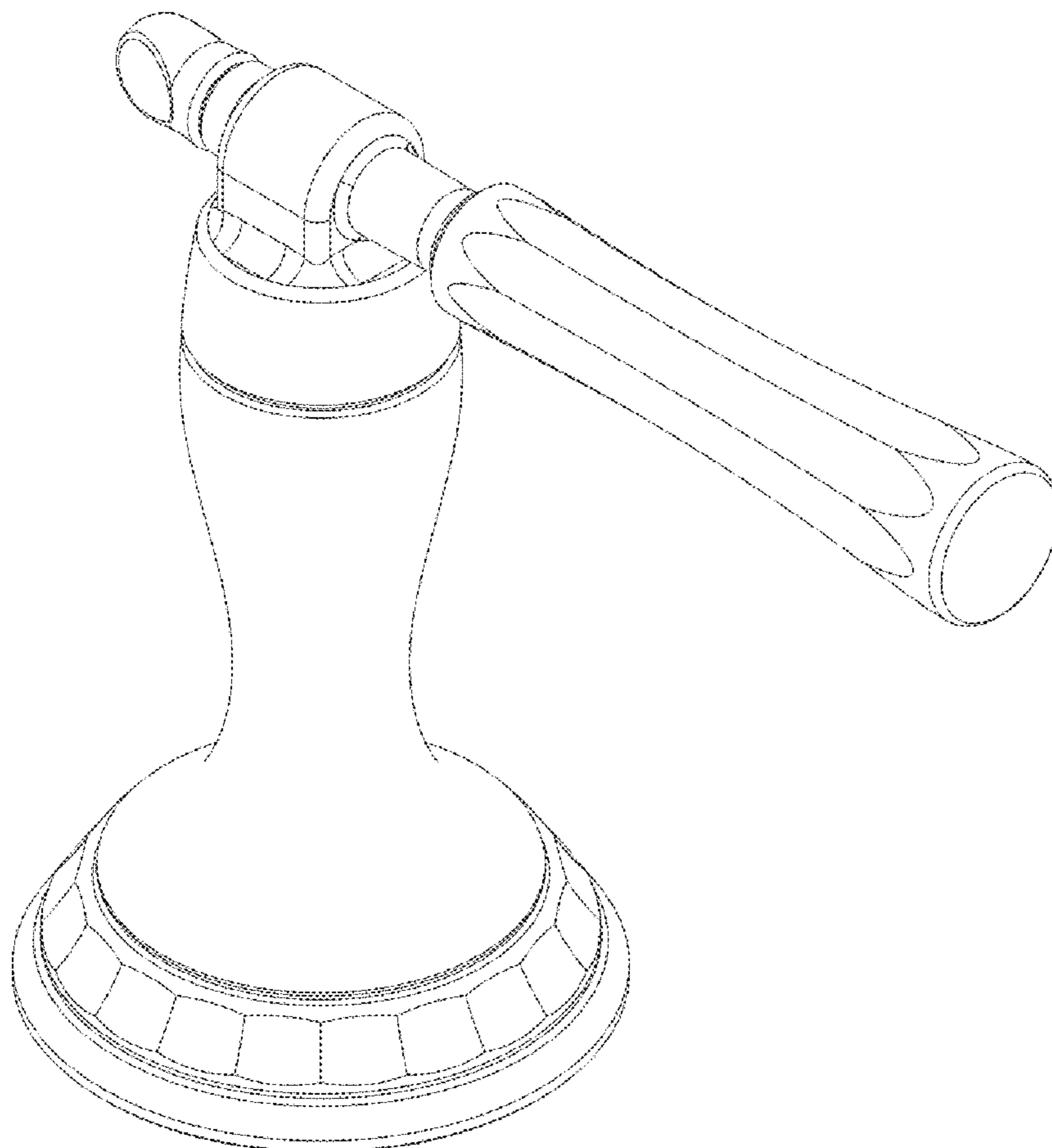
FIG. 6 is a right side view thereof;

FIG. 7 is a top plan view thereof; and,

FIG. 8 is a bottom view thereof.

The broken lines shown in the drawings represent unclaimed portions of the faucet and forms no part of the claimed design.

1 Claim, 4 Drawing Sheets



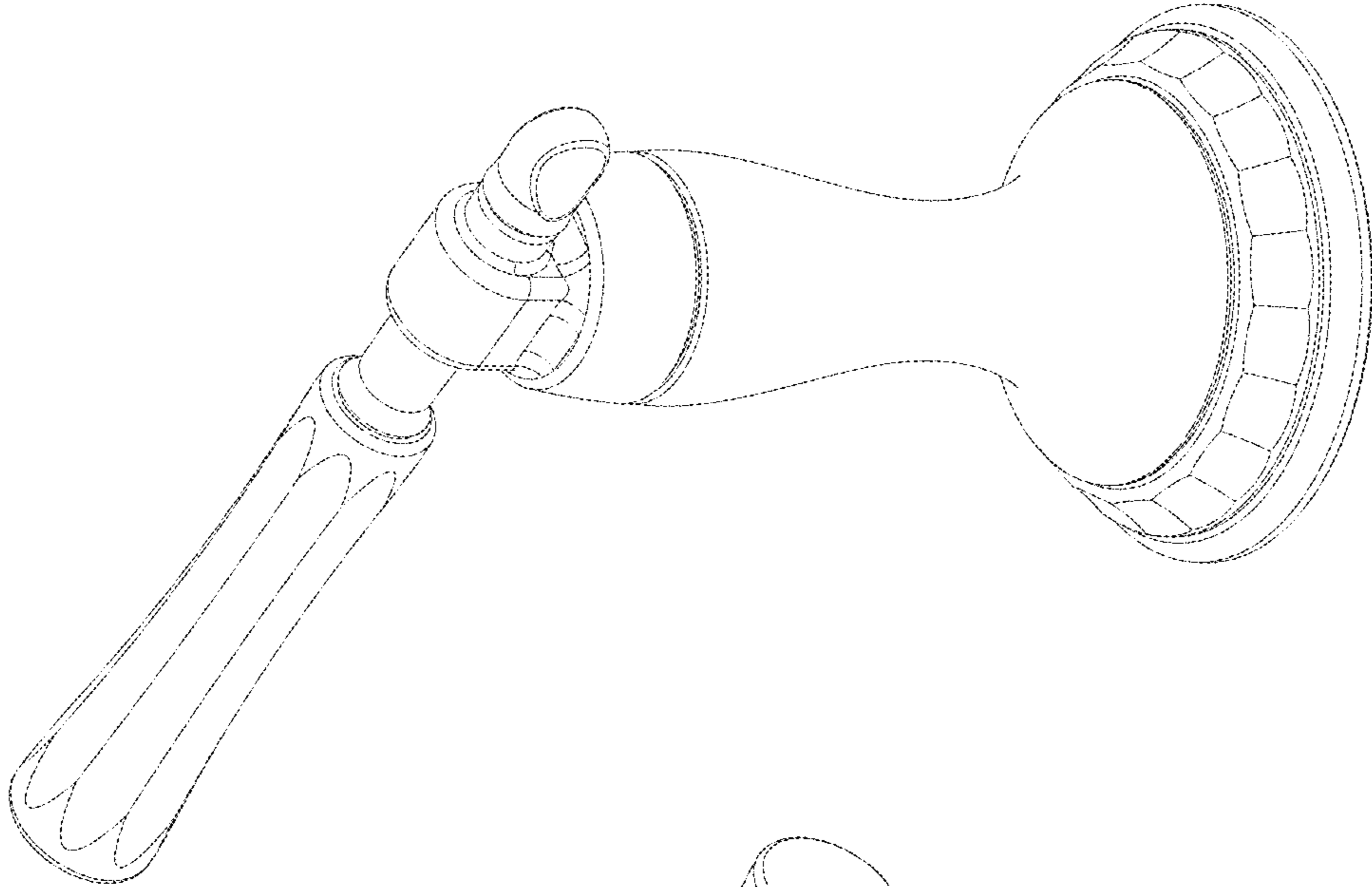


FIG - 2

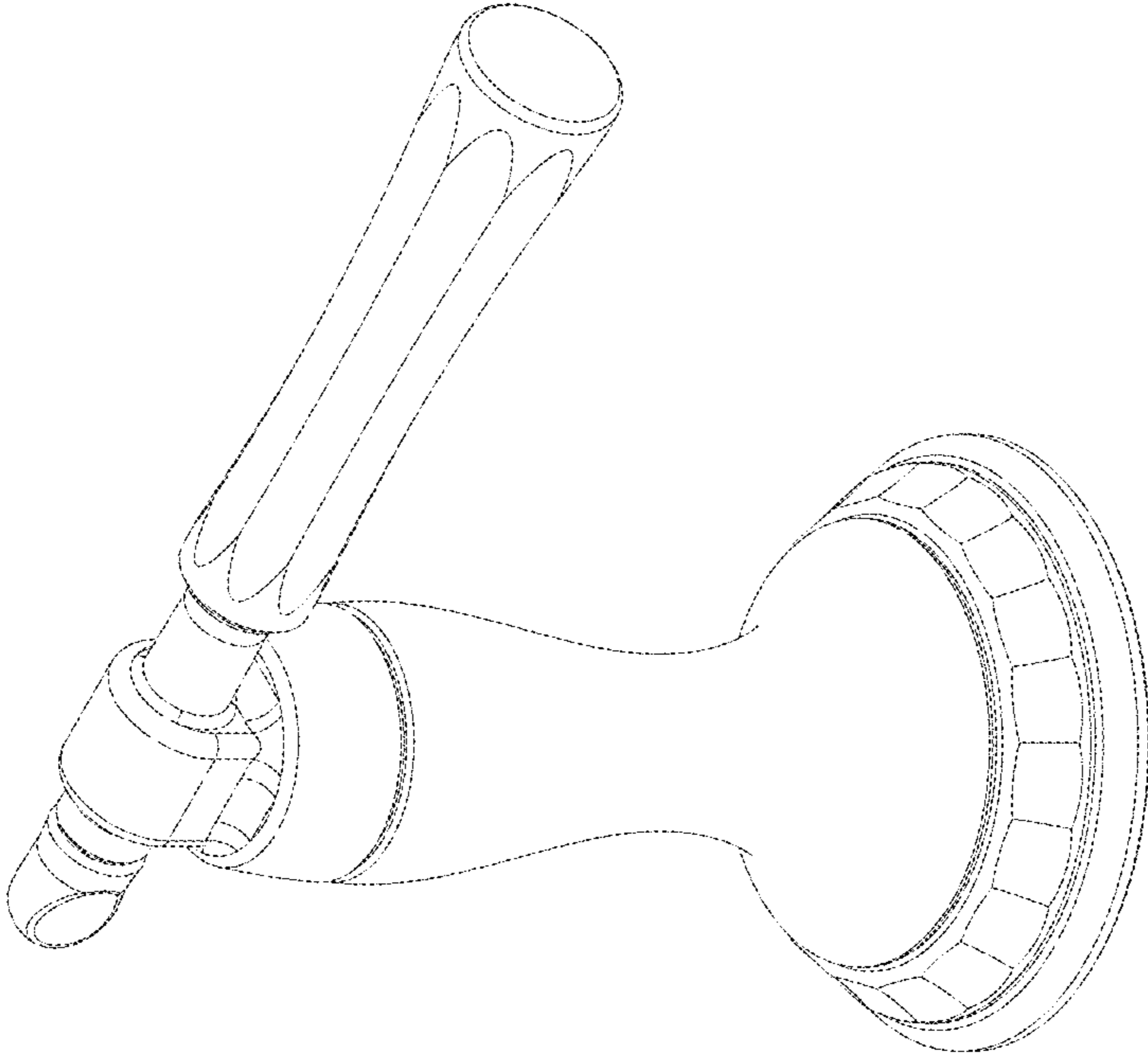


FIG - 1

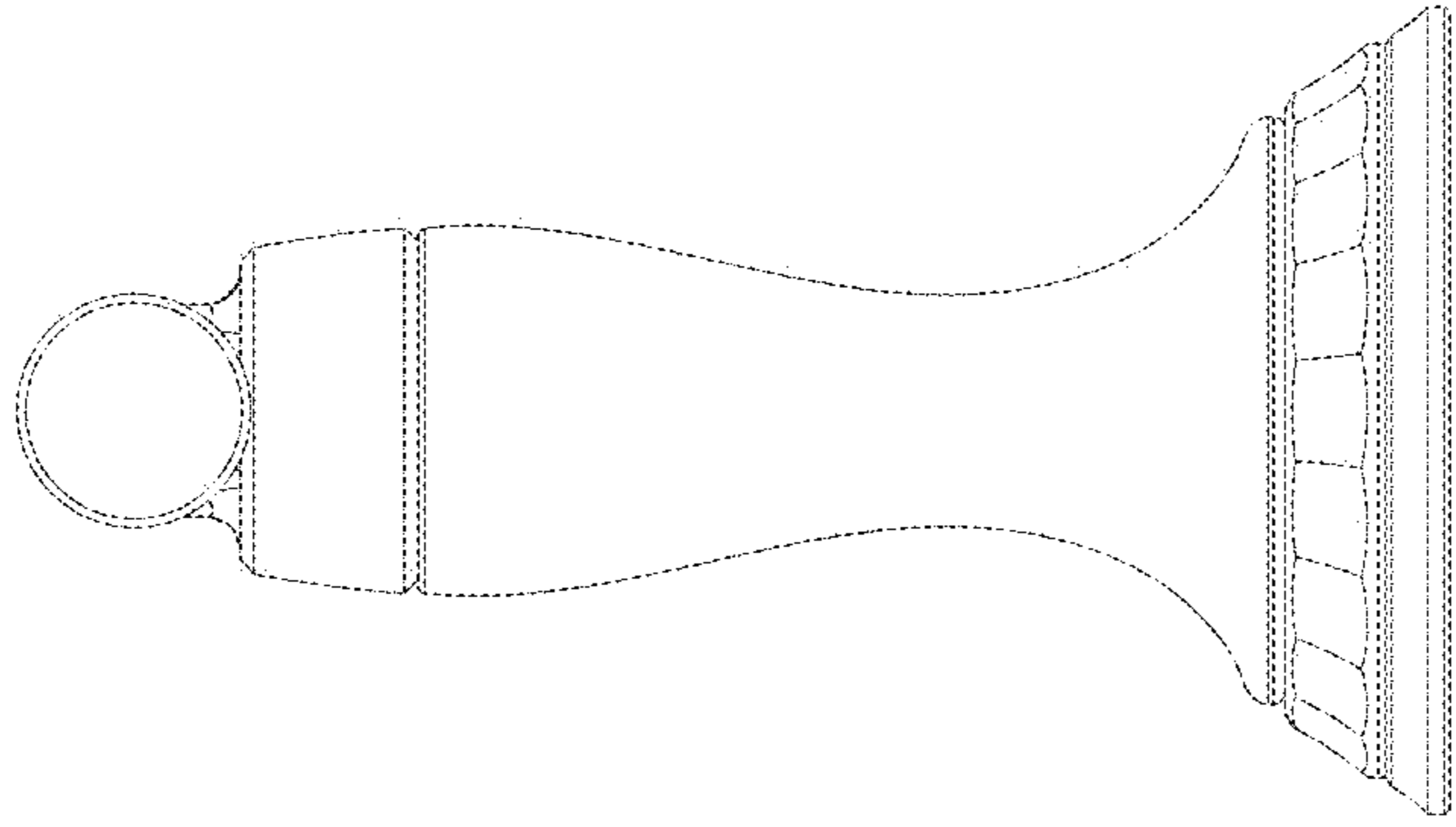


FIG - 4

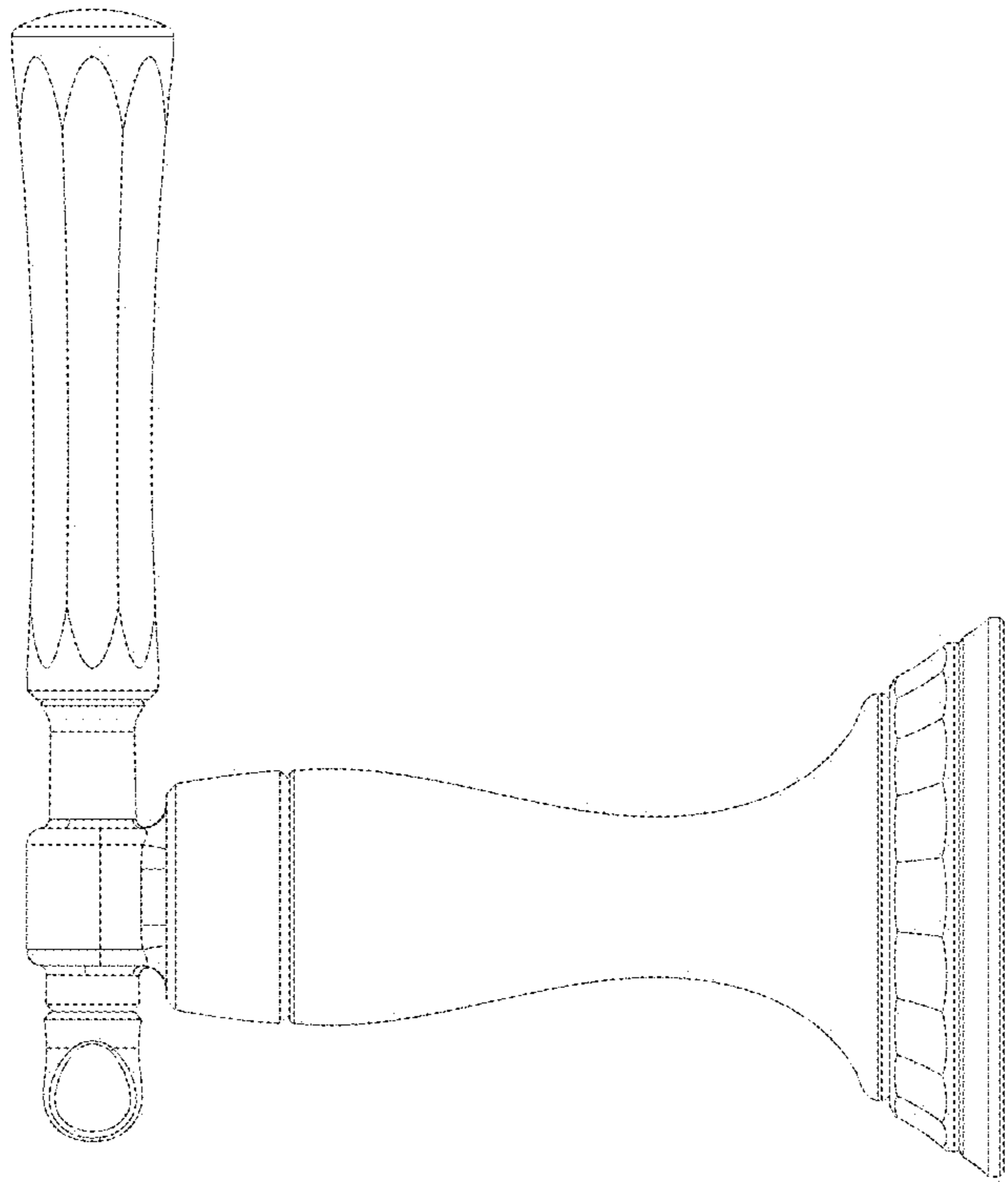


FIG - 3

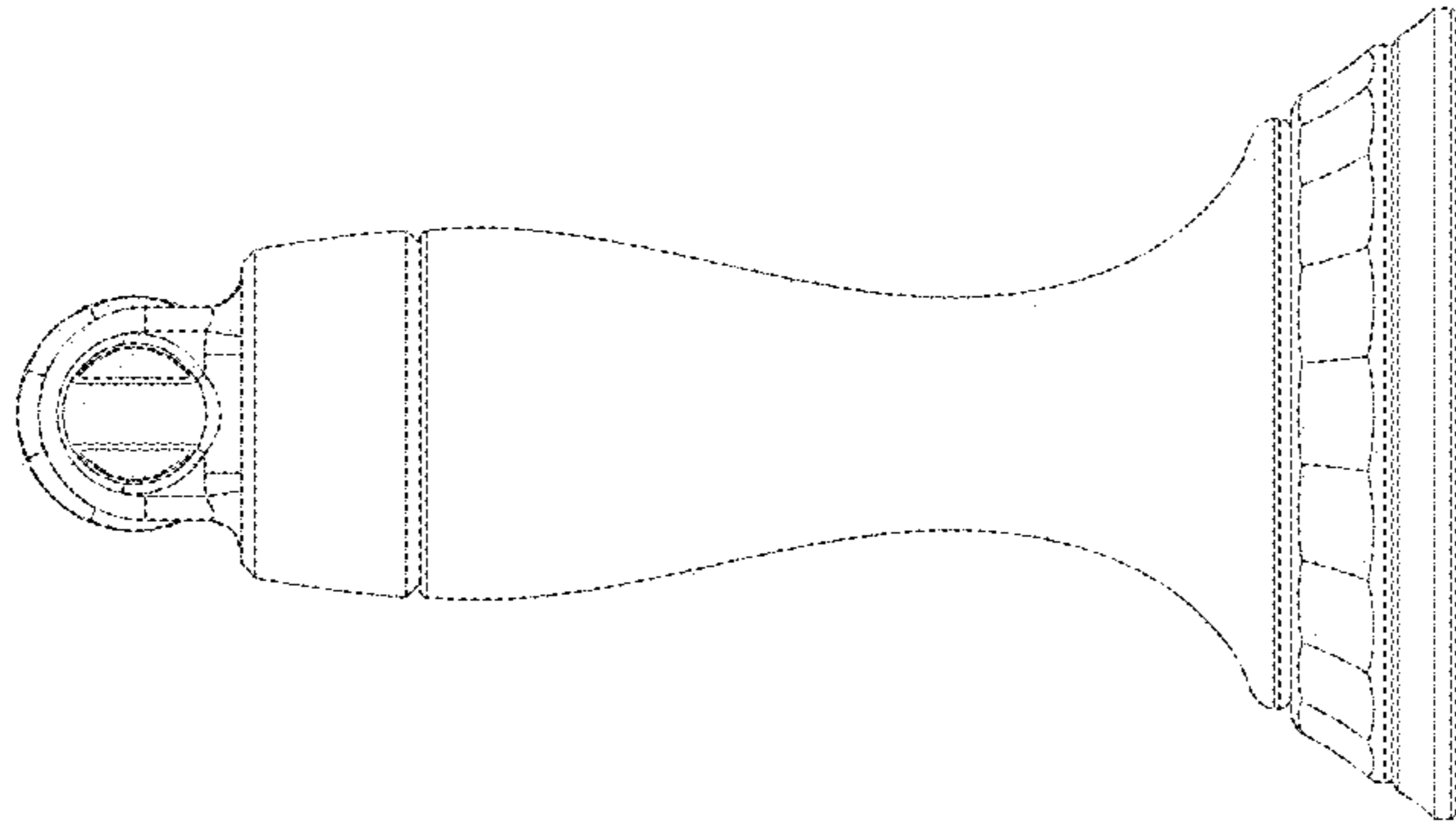


FIG - 6

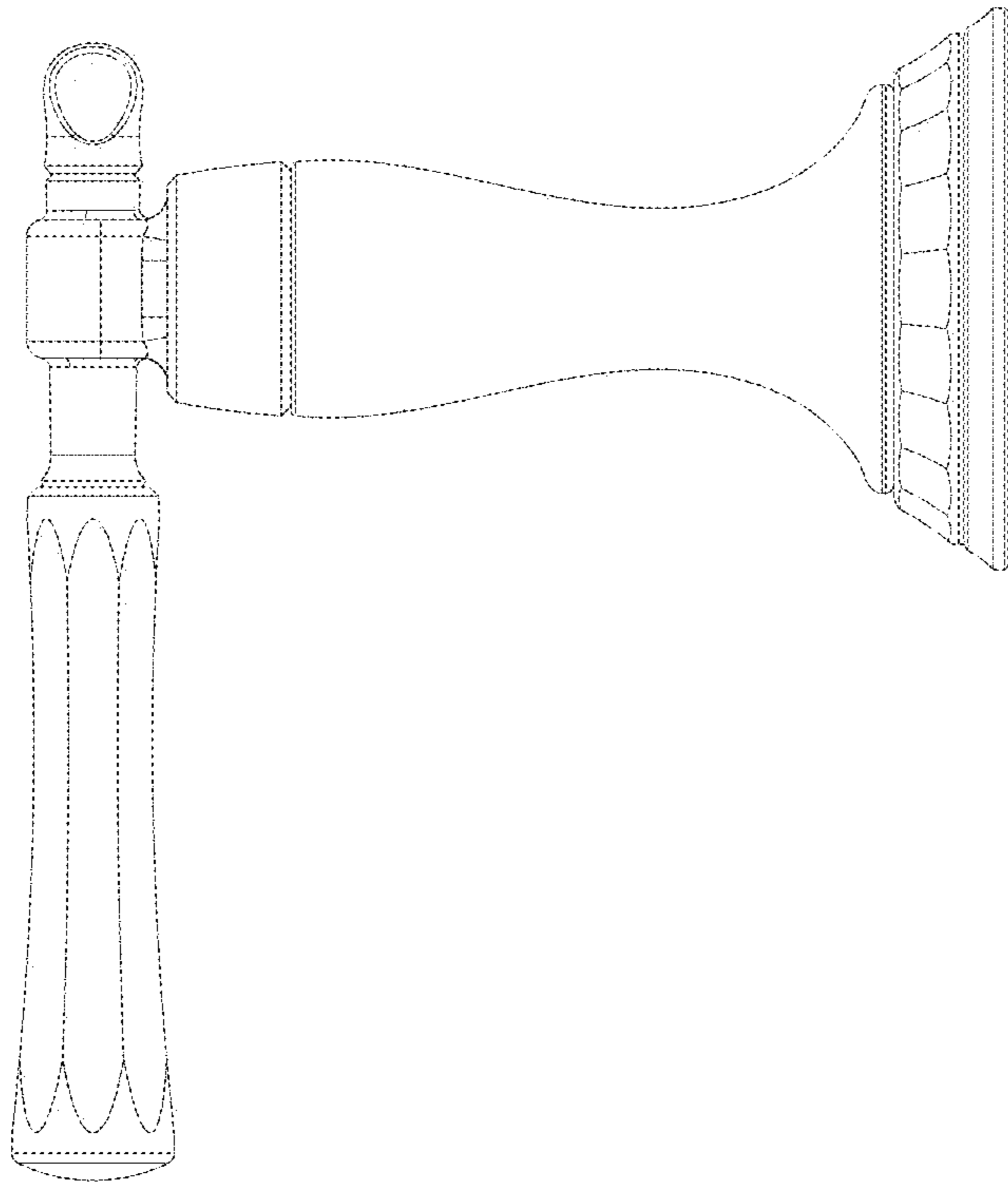


FIG - 5

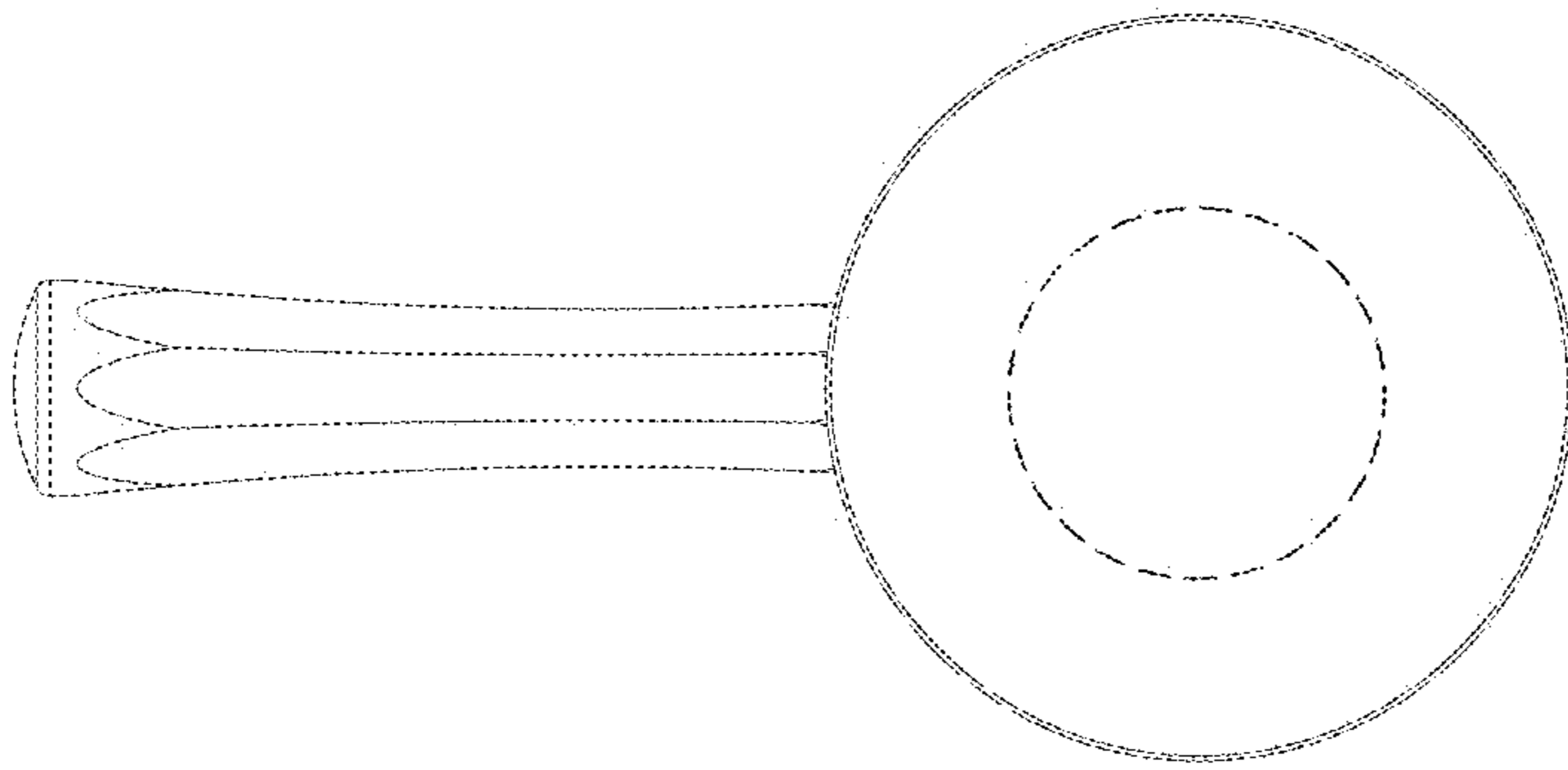


FIG - 8

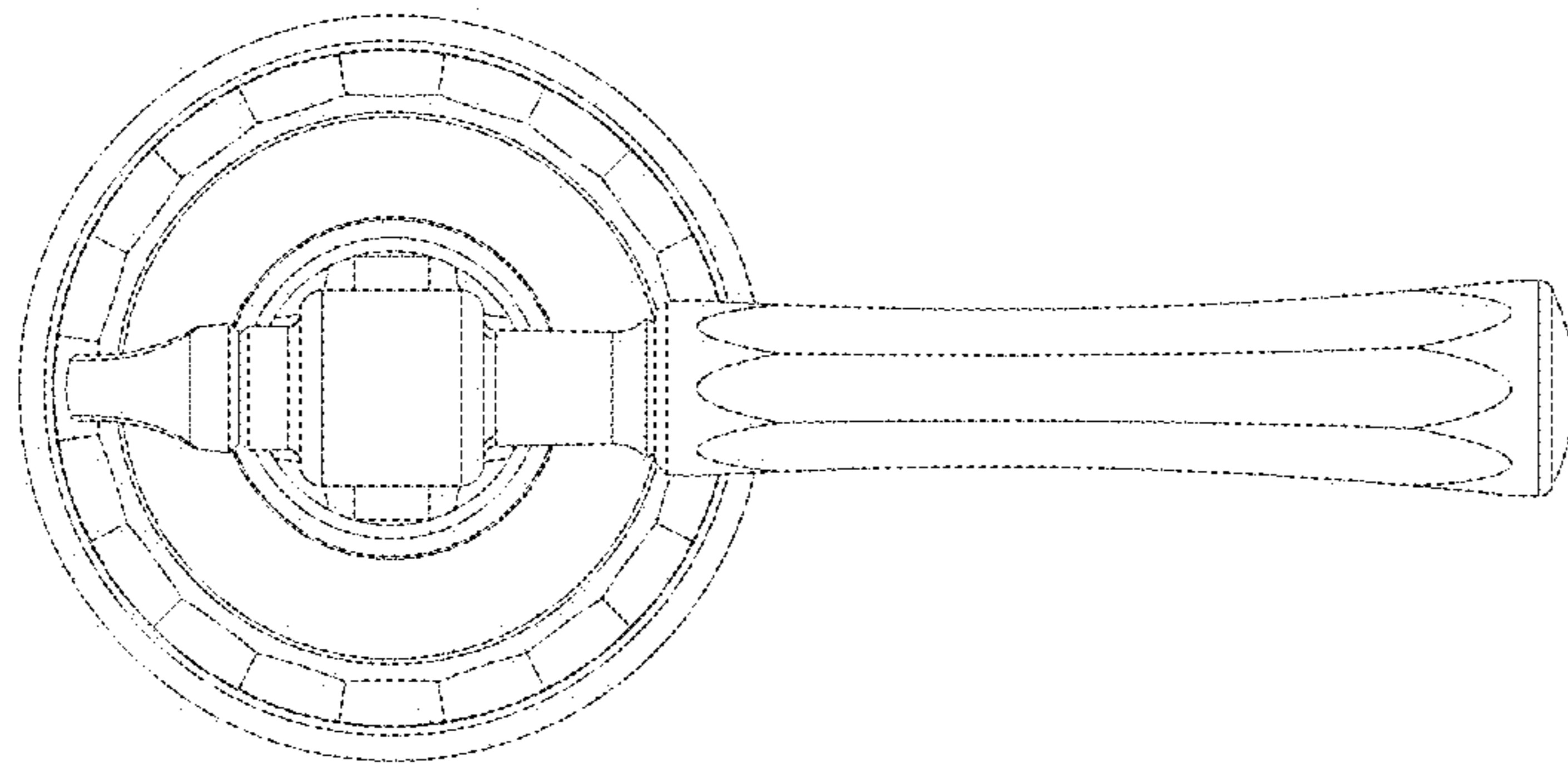


FIG - 7