



US00D982722S

(12) **United States Design Patent** (10) **Patent No.:** **US D982,722 S**  
**Spangler et al.** (45) **Date of Patent:** **\*\* Apr. 4, 2023**

- (54) **SOAP DISPENSER**
- (71) Applicant: **DELTA FAUCET COMPANY**,  
Indianapolis, IN (US)
- (72) Inventors: **Anthony G. Spangler**, Indianapolis, IN  
(US); **Benjamin David Stoler**, Carmel,  
IN (US)
- (73) Assignee: **DELTA FAUCET COMPANY**,  
Indianapolis, IN (US)
- (\*\*) Term: **15 Years**
- (21) Appl. No.: **29/762,573**
- (22) Filed: **Dec. 17, 2020**
- (51) **LOC (14) Cl.** ..... **23-01**
- (52) **U.S. Cl.**  
USPC ..... **D23/252**
- (58) **Field of Classification Search**  
USPC ..... D6/542, 515, 518, 520, 553, 663, 513,  
D6/676; D4/199; D32/35, 54; D7/306;  
D23/234, 270, 205, 231, 238, 255, 364,  
D23/245, 248, 262, 263, 242, 250, 252  
CPC ..... A47K 4/00; A47K 1/02; A47K 2210/00;  
B05B 11/3035  
See application file for complete search history.

D800,269 S *	10/2017	Garland .....	D23/252
D851,733 S *	6/2019	Spangler .....	D23/252
D851,734 S *	6/2019	Spangler .....	D23/252
D851,735 S *	6/2019	Bahler .....	D23/252
D878,523 S *	3/2020	Lazarini .....	D23/252
D962,395 S *	8/2022	Chen .....	D23/252
D963,120 S *	9/2022	Spangler .....	D23/252

**OTHER PUBLICATIONS**

Delta Faucet Stryke Soap Dispenser, available in Amazon.com, date first available Aug. 30, 2021 [online], Retrieved on Sep. 7, 2022 from URL: <https://www.amazon.com/DELTA-FAUCET-RP101629ARPR-Dispenser-Stainless/dp/B09NCDF76N> (Year: 2021).\*

\* cited by examiner

*Primary Examiner* — Vy N Koenig

*Assistant Examiner* — Michelle M Reeves

(74) *Attorney, Agent, or Firm* — Jeffrey L. Doyle

(57) **CLAIM**

The ornamental design for a soap dispenser, as shown and described.

**DESCRIPTION**

FIG. 1 is a front perspective view of a soap dispenser showing our new design;  
FIG. 2 is a rear perspective view thereof;  
FIG. 3 is a front elevational view thereof;  
FIG. 4 is a left side view thereof;  
FIG. 5 is a rear view thereof;  
FIG. 6 is a right side view thereof;  
FIG. 7 is a top plan view thereof; and,  
FIG. 8 is a bottom view thereof.

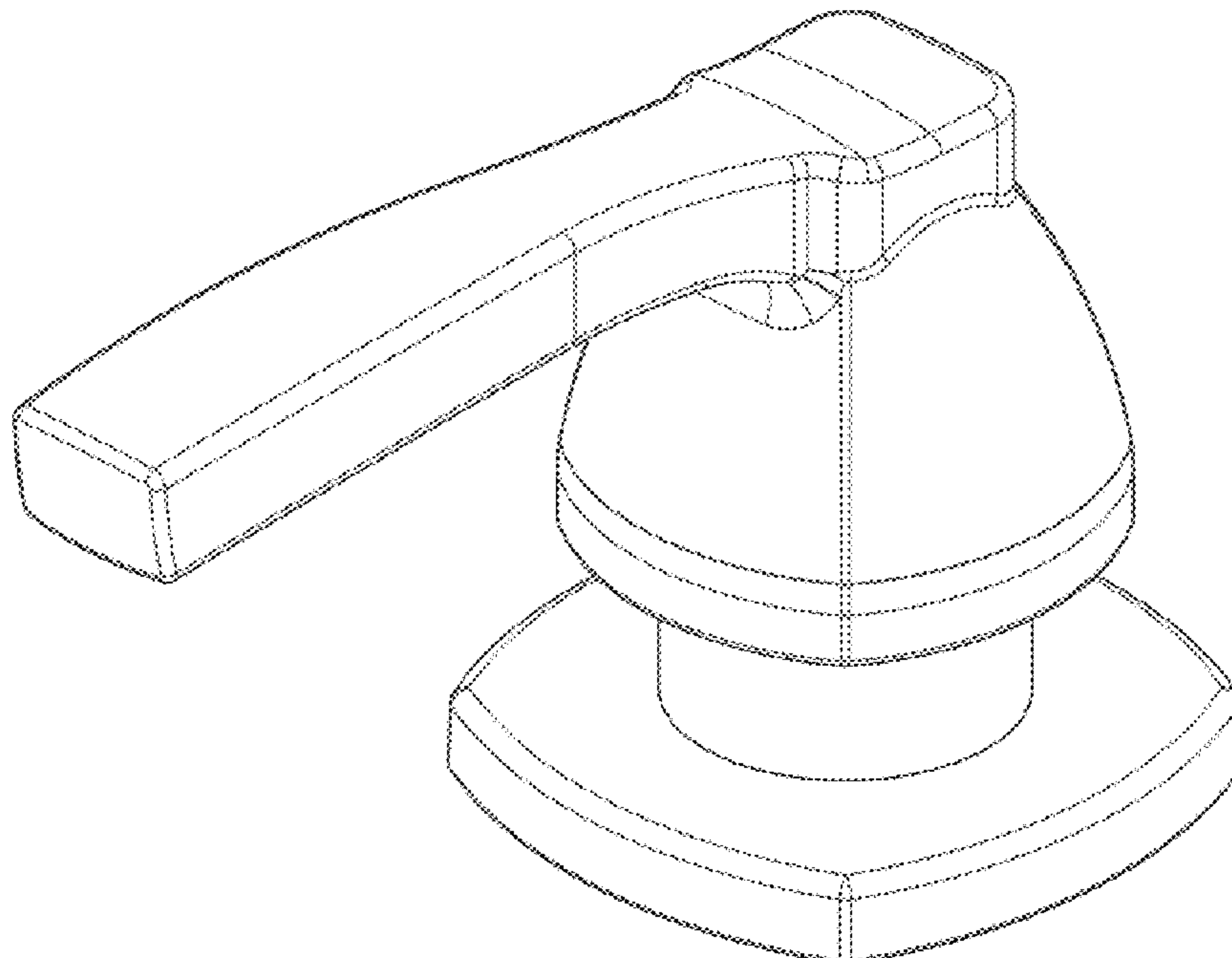
The broken lines shown in the drawings depict portions of the soap dispenser that form no part of the claimed design.

**1 Claim, 4 Drawing Sheets**

(56) **References Cited**

**U.S. PATENT DOCUMENTS**

D291,241 S *	8/1987	Rademacher .....	D23/257
D493,213 S *	7/2004	Svensen .....	D23/252
D521,607 S *	5/2006	Blomstrom .....	D23/252
D522,624 S *	6/2006	Koury .....	D23/252
D581,021 S *	11/2008	Gilbert .....	D23/252
D752,718 S *	3/2016	Eads .....	D23/313



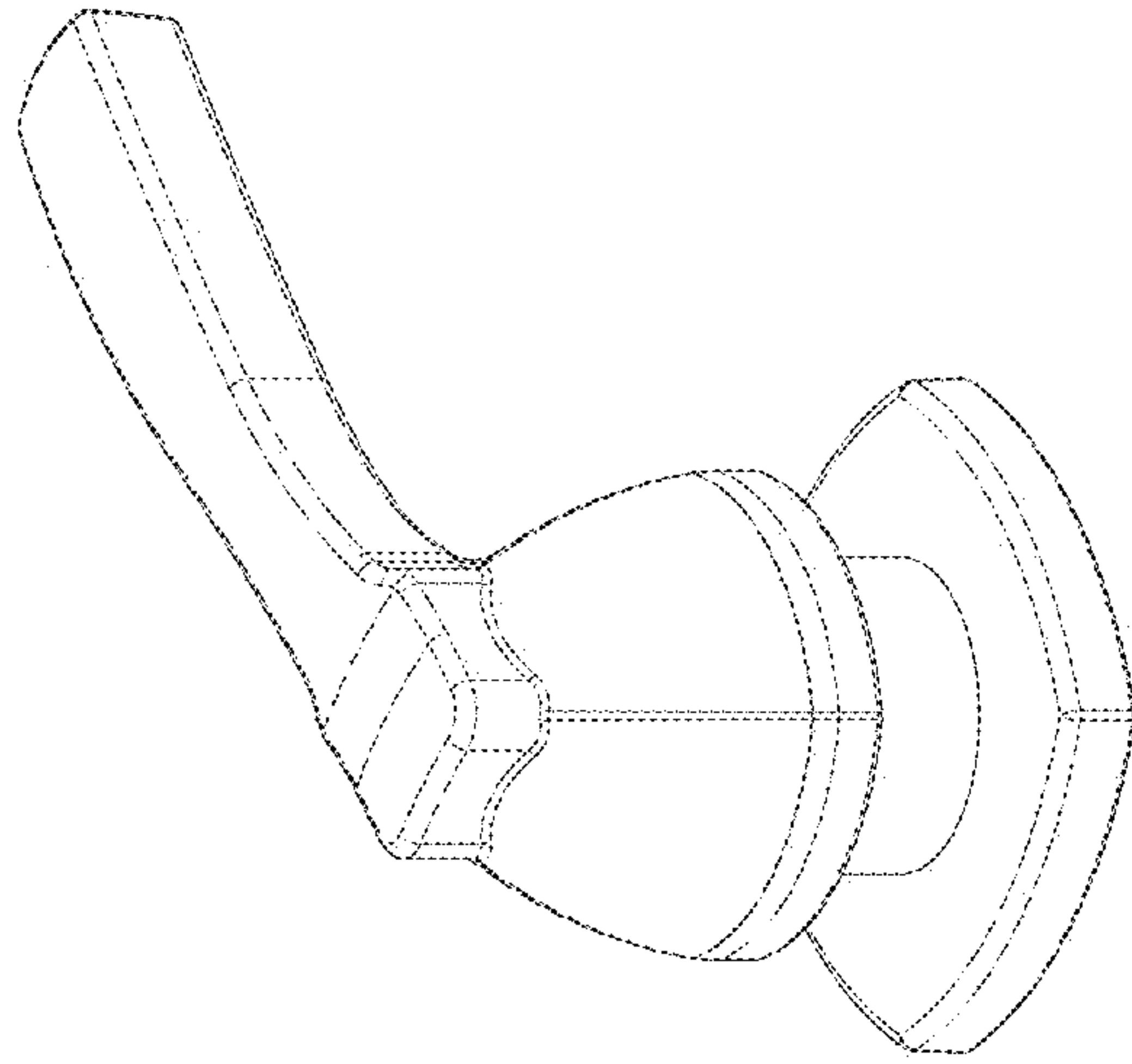


FIG - 2

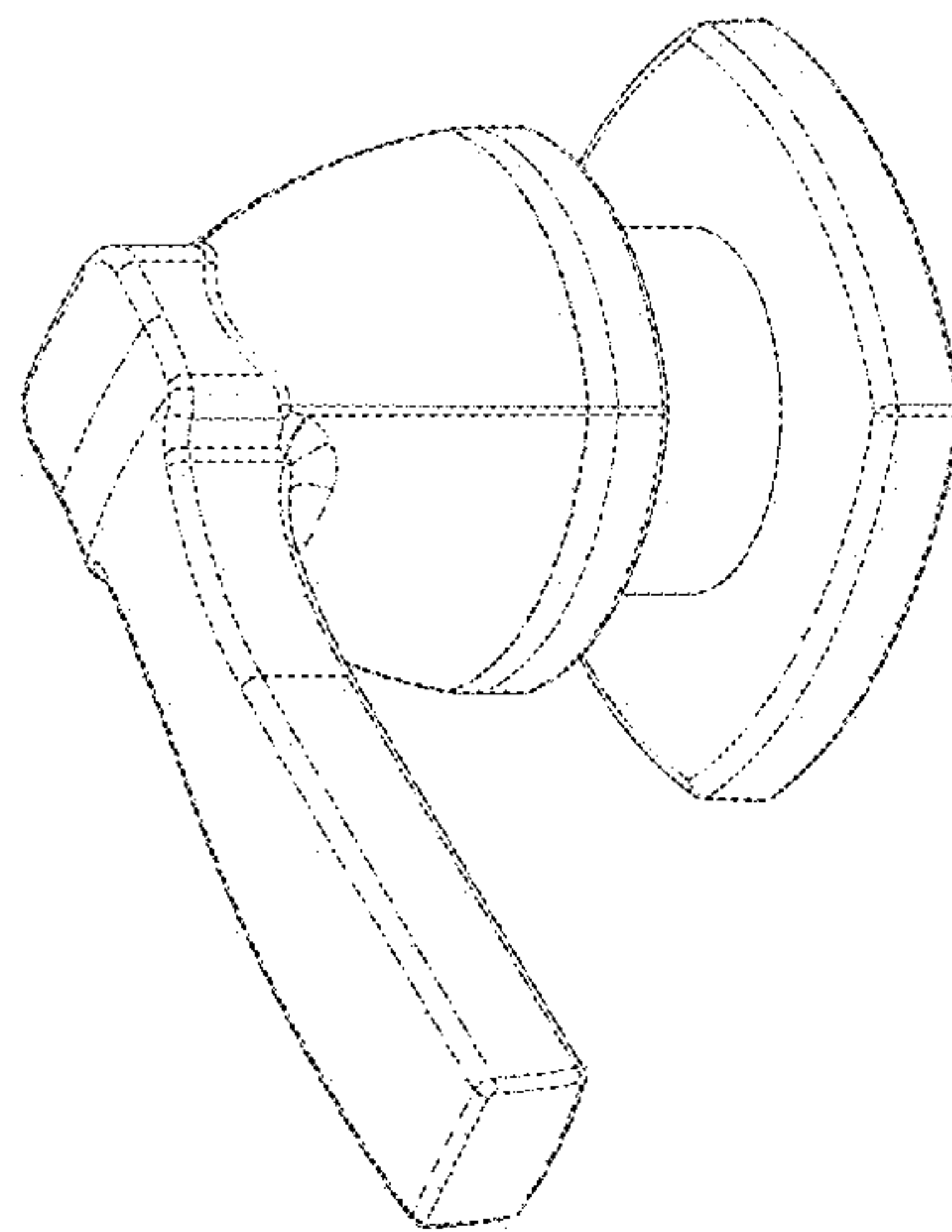


FIG - 1

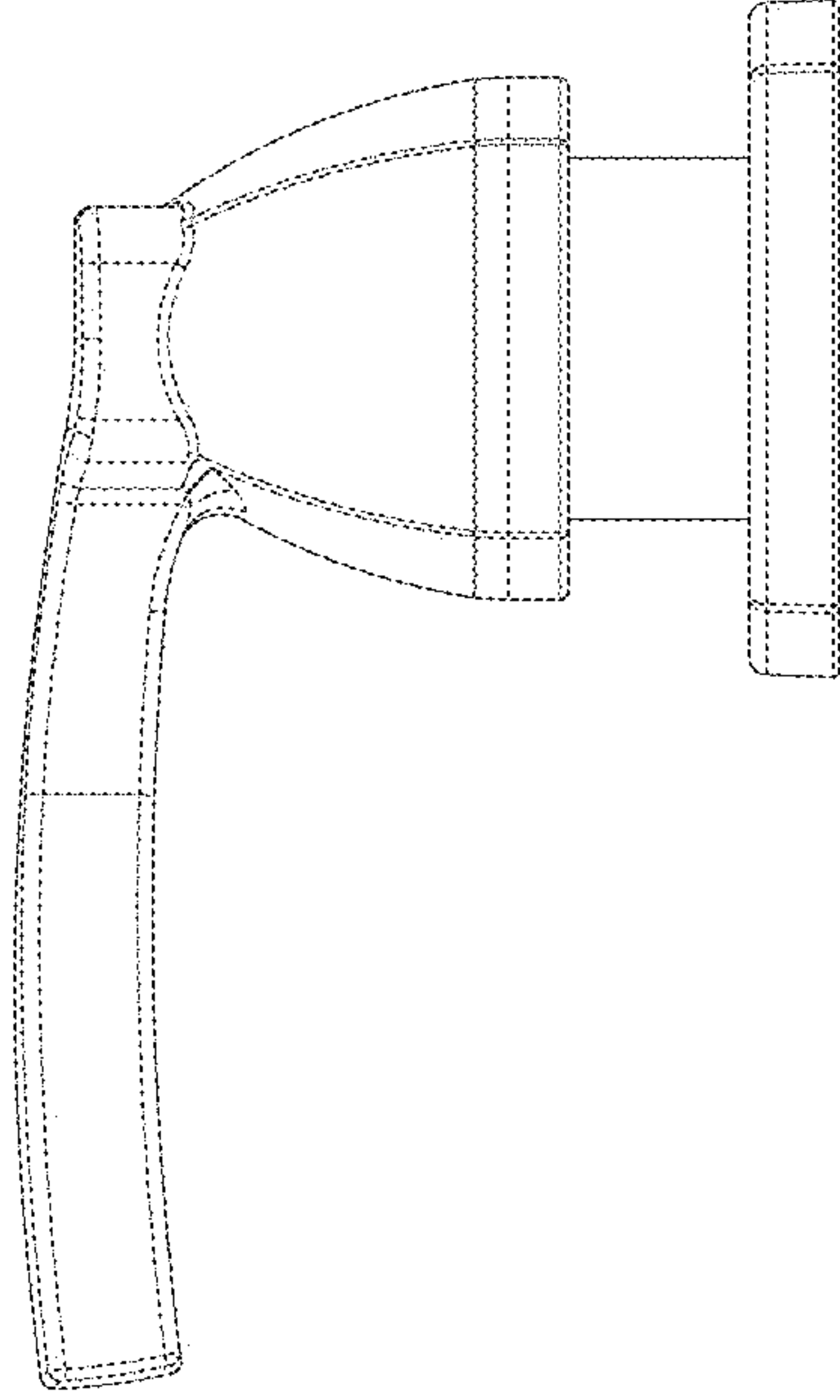


FIG - 4

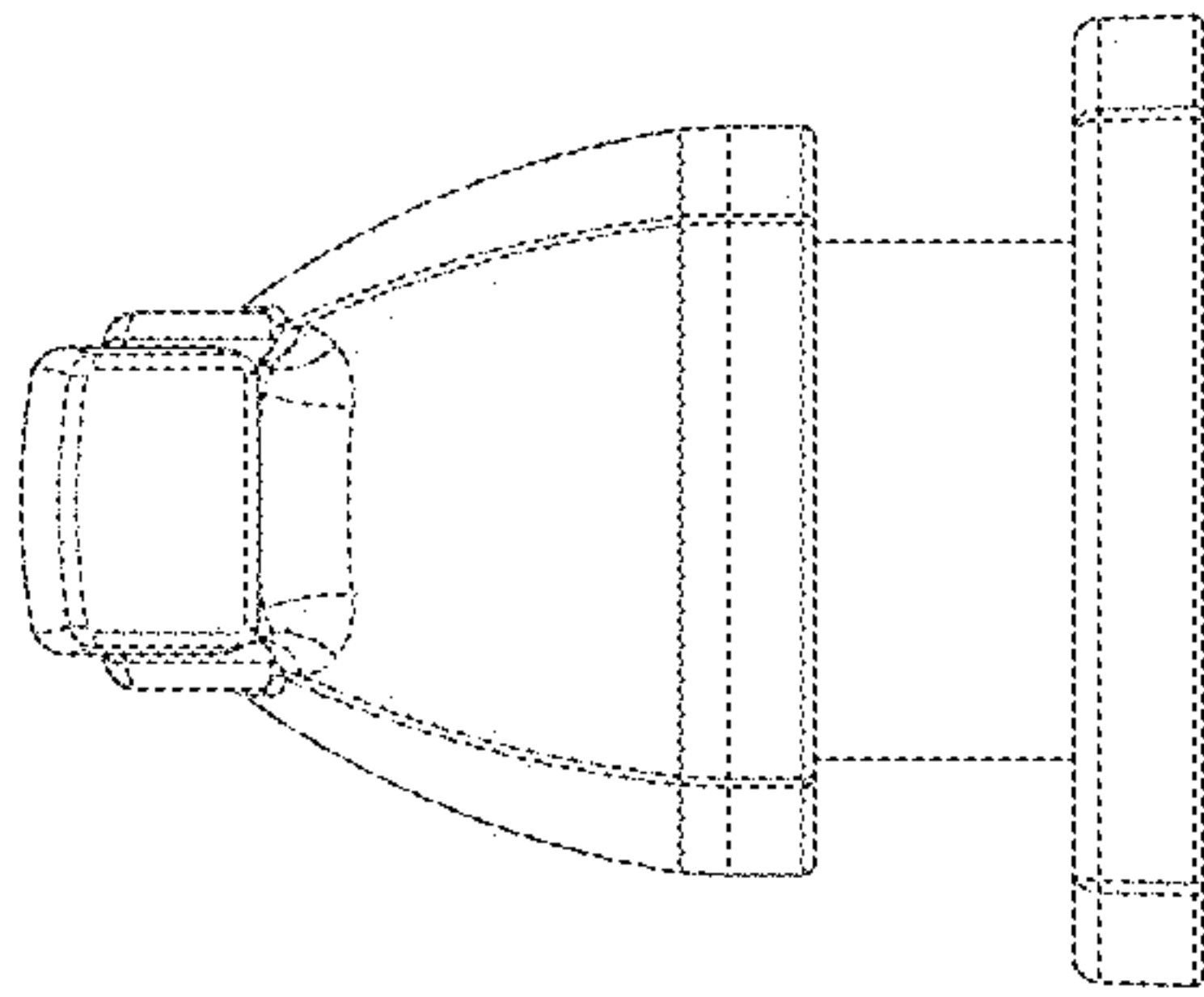


FIG - 3

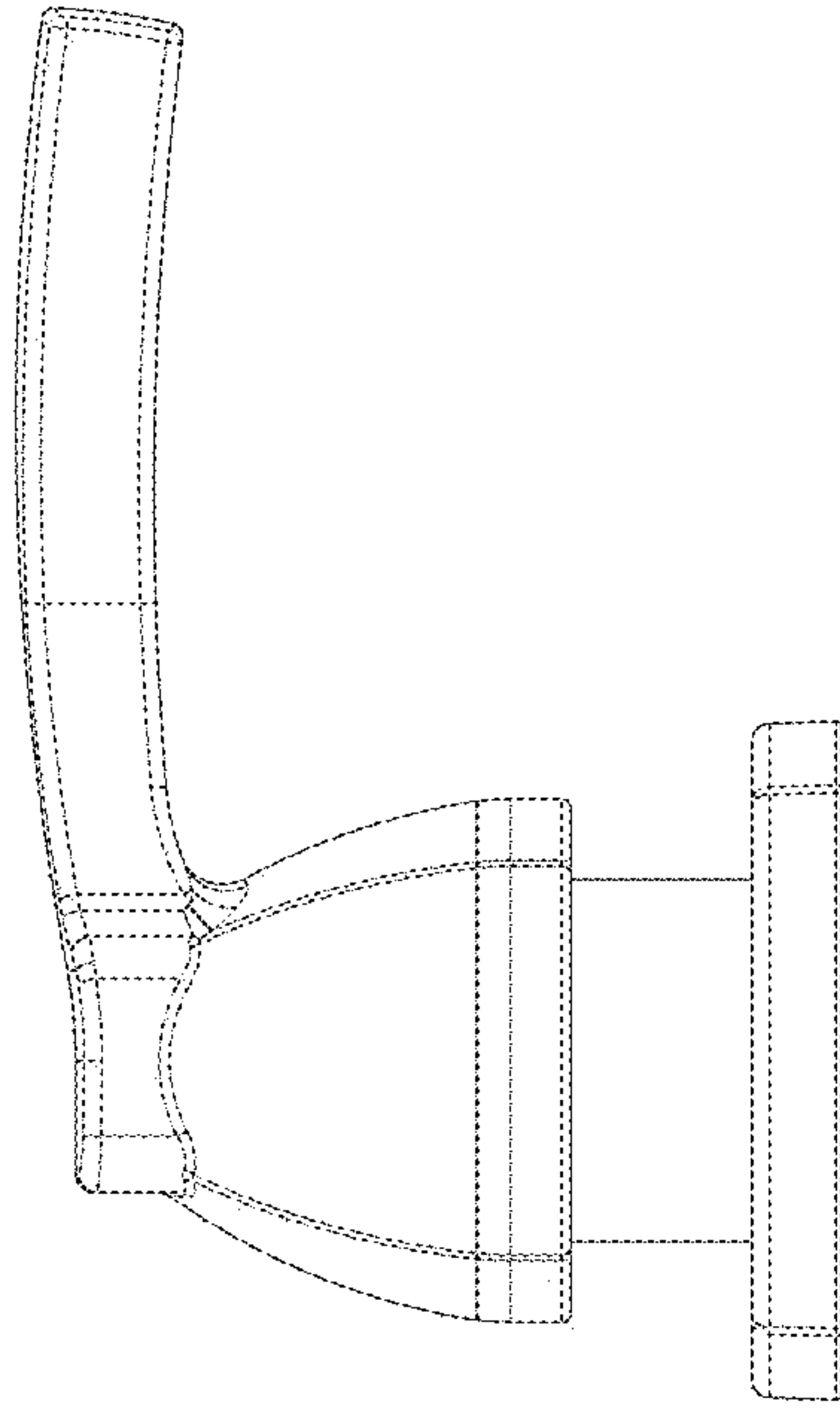


FIG - 6

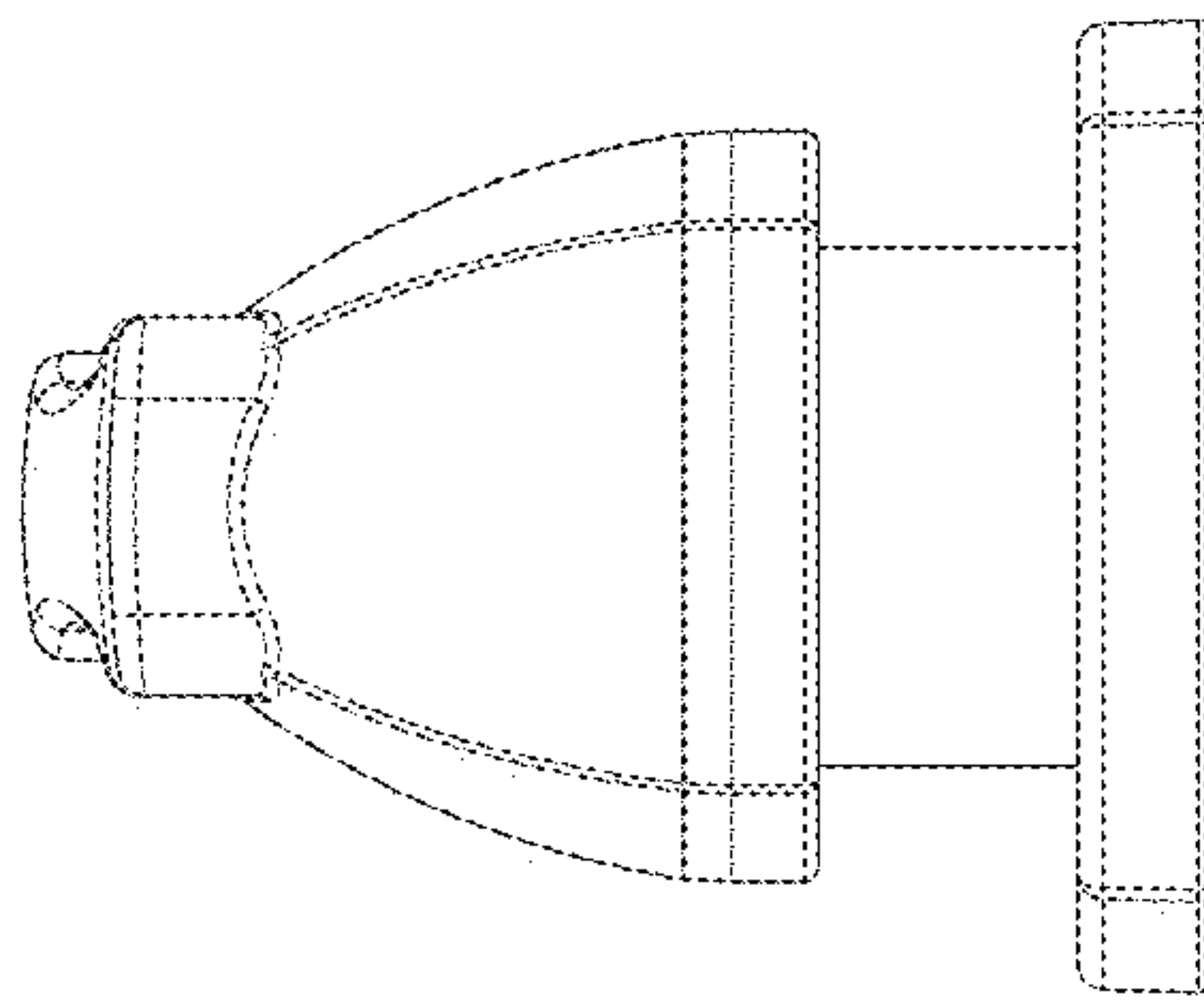


FIG - 5

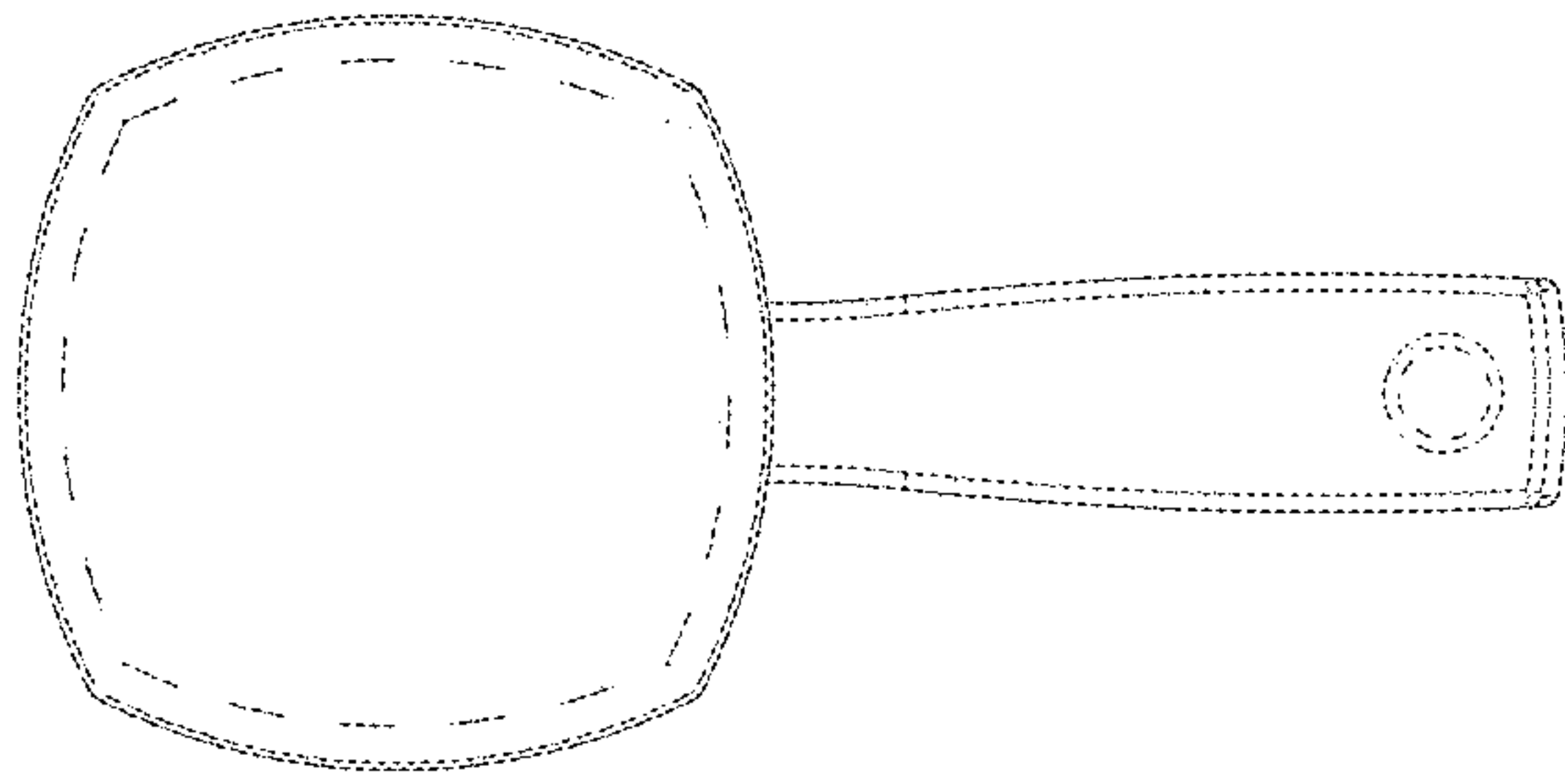


FIG - 8

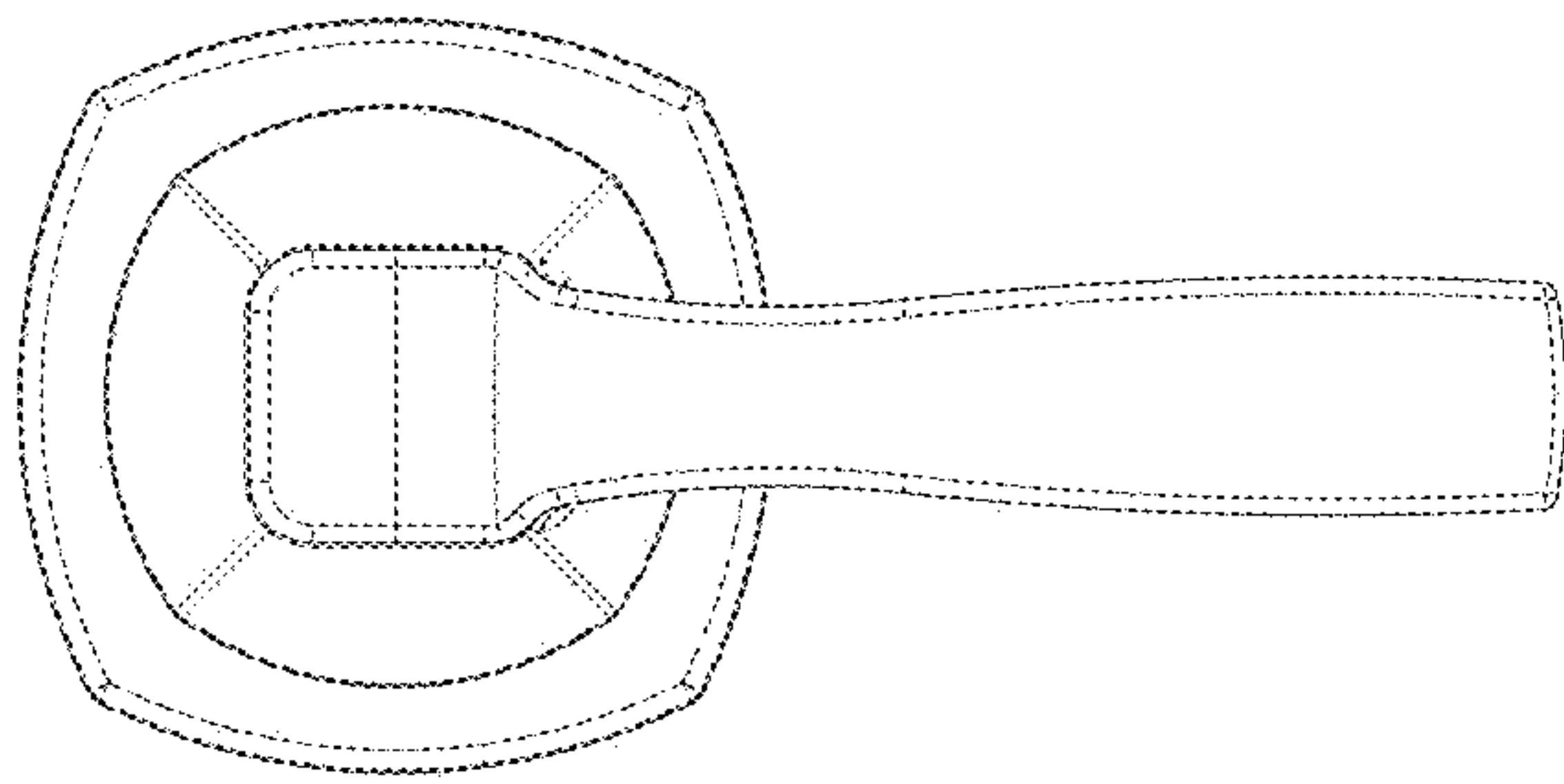


FIG - 7