



US00D982720S

(12) **United States Design Patent** (10) **Patent No.:** **US D982,720 S**
Li (45) **Date of Patent:** **** Apr. 4, 2023**

(54) **DUAL TILT HANDLES PULL DOWN FAUCET BODY**

(71) Applicant: **Luhua Li**, Guangdong (CN)

(72) Inventor: **Luhua Li**, Guangdong (CN)

(73) Assignee: **Shenzhen Yougao Kitchen Industry Co., Ltd.**, Shenzhen (CN)

(**) Term: **15 Years**

(21) Appl. No.: **29/853,039**

(22) Filed: **Sep. 13, 2022**

(51) **LOC (14) Cl.** **23-01**

(52) **U.S. Cl.**
USPC **D23/241**

(58) **Field of Classification Search**
USPC D23/238, 241–243, 249
See application file for complete search history.

(56) **References Cited**

U.S. PATENT DOCUMENTS

D324,410	S	*	3/1992	Haug	D23/241
D463,848	S	*	10/2002	Haug	D23/241
D479,870	S	*	9/2003	Hung	D23/241
6,729,344	B1	*	5/2004	Hung	E03C 1/0404 4/678
D513,636	S	*	1/2006	Blomstrom	D23/241
D516,179	S	*	2/2006	Ouyoung	D23/249
D523,928	S	*	6/2006	Chung	D23/249
D579,082	S		10/2008	Yuan		
D581,498	S		11/2008	Dolan		
D654,570	S		2/2012	Yu		
D714,913	S		5/2014	Smith et al.		
D709,597	S	*	7/2014	Yu	D23/241
D712,521	S		9/2014	Smith et al.		
D791,282	S		7/2017	Bahler		
D811,556	S		2/2018	Garland		
D877,861	S		3/2020	Garland		

OTHER PUBLICATIONS

Zurn Z826S1-XL Double Laboratory Faucet with 8" Bent Riser Spout with Aerated Outlet: https://www.amazon.com/dp/B01LYJ2JLL/ref=sspa_dk_detail_2?psc=1&pd_rd_i=B01LYJ2JLL&pd_rd_w=phxpP&content-id=amzn1.sym.46bad5f6-1f0a-4167-9a8b-c8a82fa48a54&pf_rd_p=46bad5f6-1f0a-4167-9a8b-c8a82fa48a54&pf_rd_r=F5QQX3RA4FG1N8RYEWXM&pd_rd_wg=acWMA&pd_rd_r=5d7538f7-6078-4b3c-aed7-e9194a6c76d5&s=indus (Year: 2016).*

* cited by examiner

Primary Examiner — Robert A Delehanty

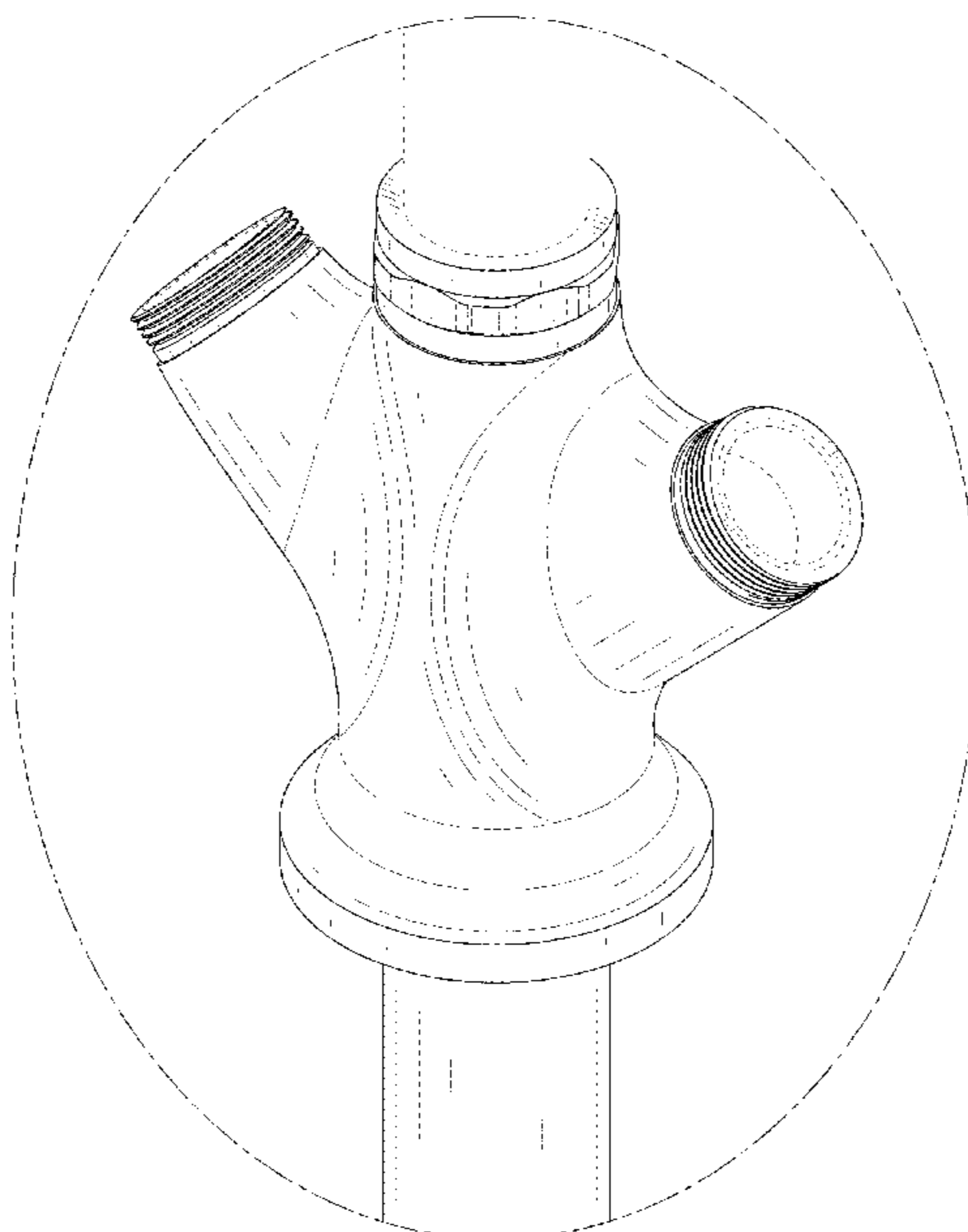
(57) **CLAIM**

The ornamental design for a dual tilt handles pull down faucet body, as shown and described.

DESCRIPTION

FIG. 1 is a perspective view of a dual tilt handles pull down faucet body showing my new design; FIG. 2 is another perspective view thereof; FIG. 3 is a front elevational view thereof; FIG. 4 is a rear elevational view thereof; FIG. 5 is a left side elevational view thereof; FIG. 6 is a right side elevational view thereof; FIG. 7 is a top plan view thereof; FIG. 8 is a bottom plan view thereof; FIG. 9 is an enlarged view selected from FIG. 1 thereof; and, FIG. 10 is an enlarged view selected from FIG. 2 thereof. The broken lines throughout the drawing figures depict portions of the dual tilt handles pull down faucet body that form no part of the claimed design.

1 Claim, 10 Drawing Sheets



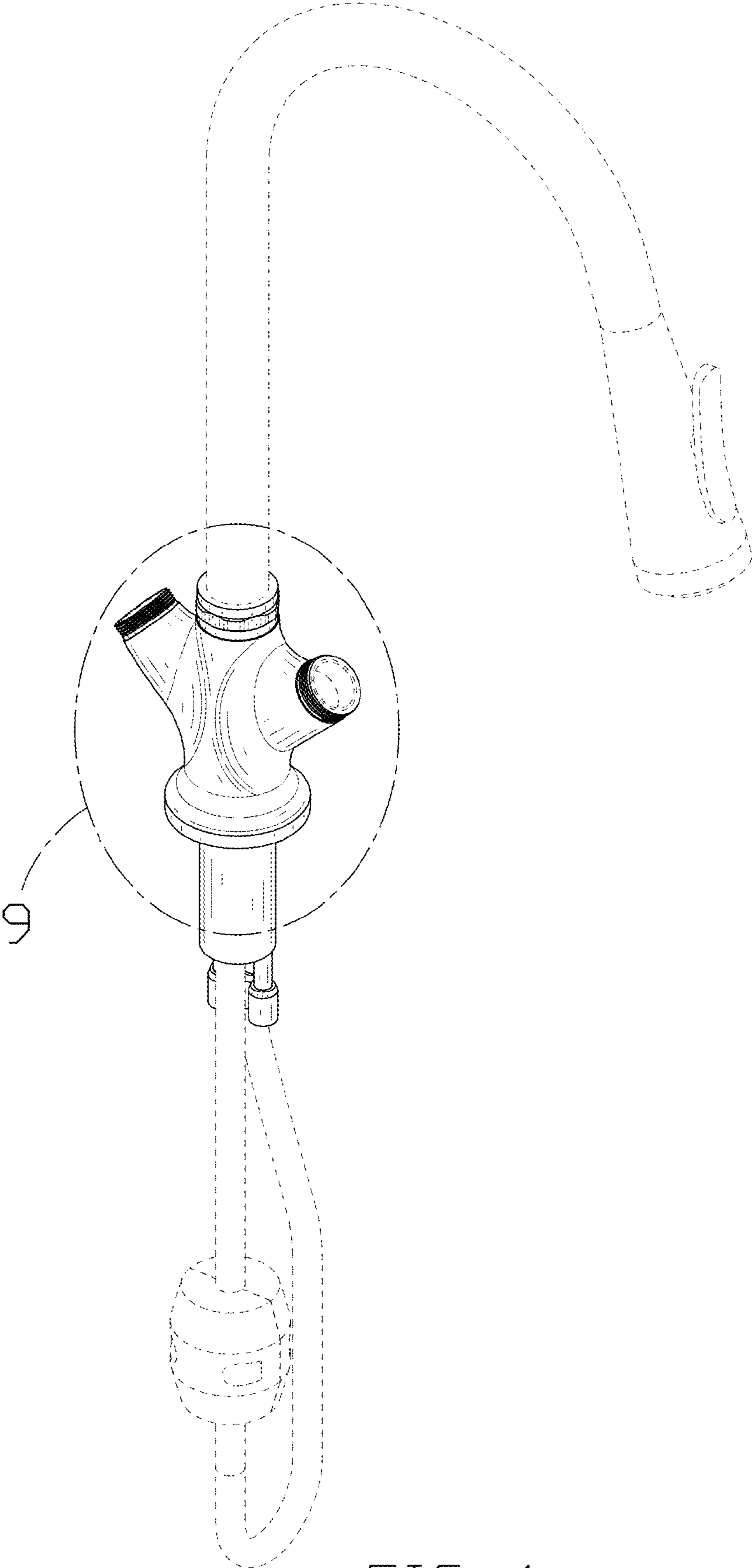


FIG. 1

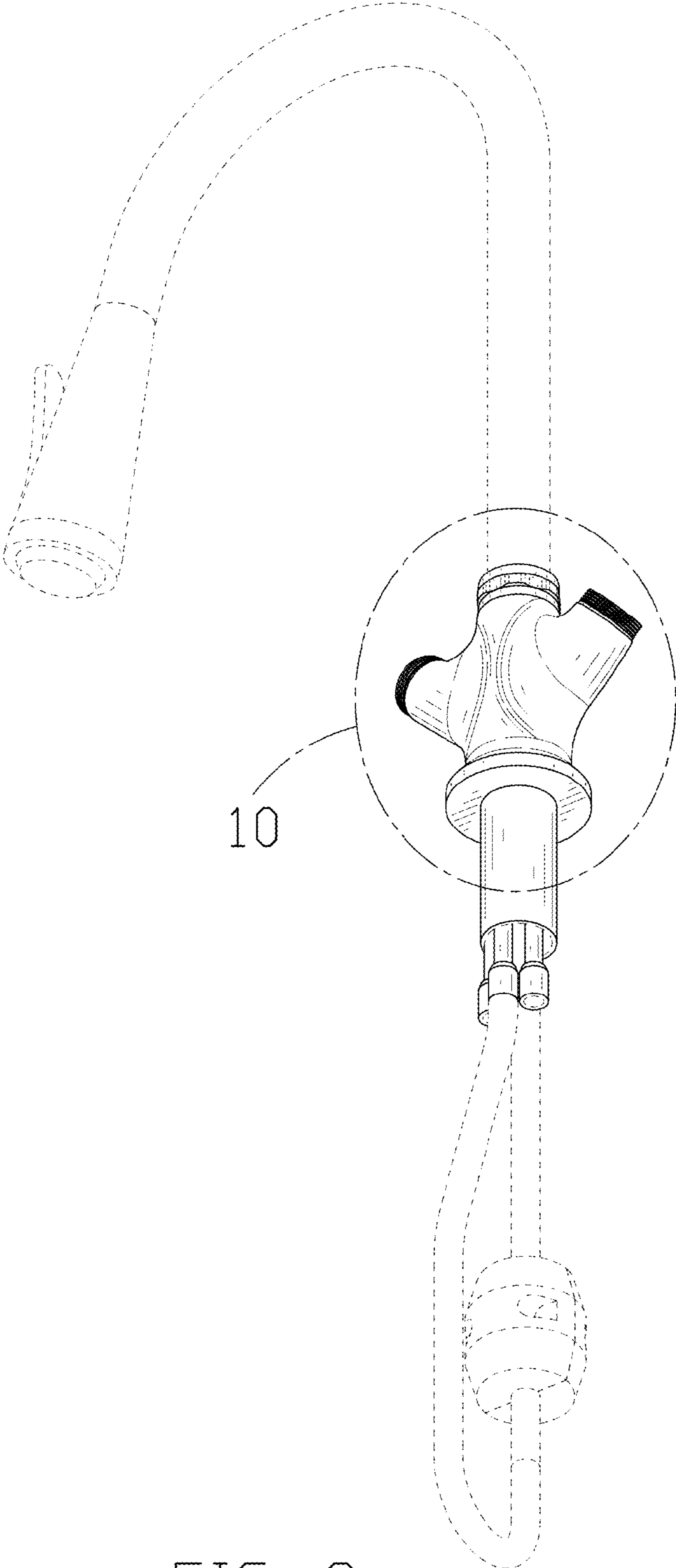


FIG. 2

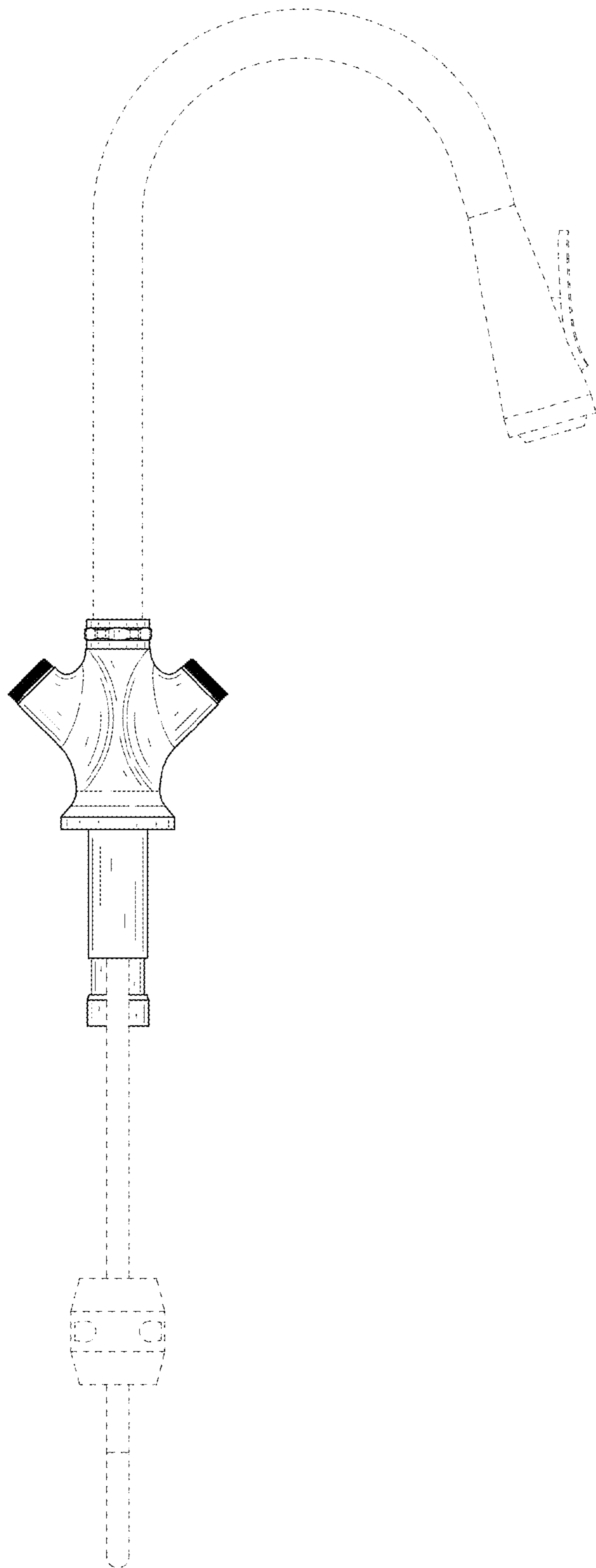


FIG. 3

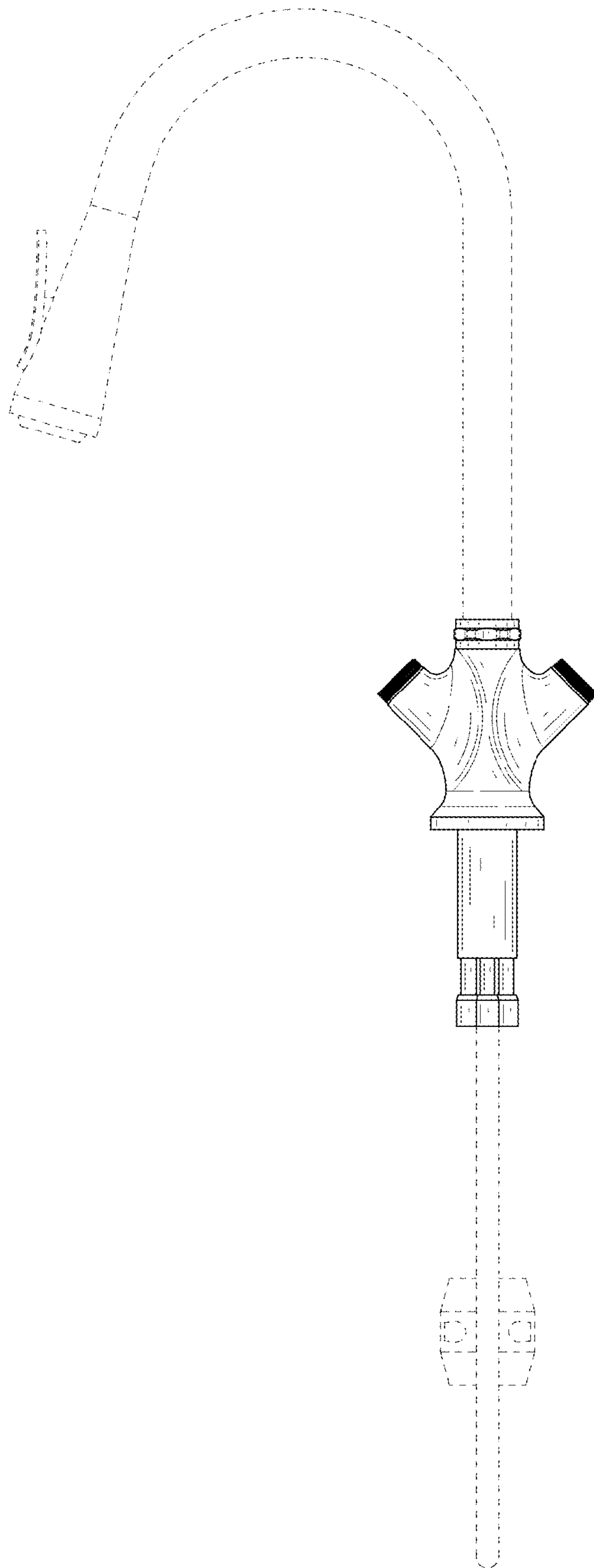


FIG. 4

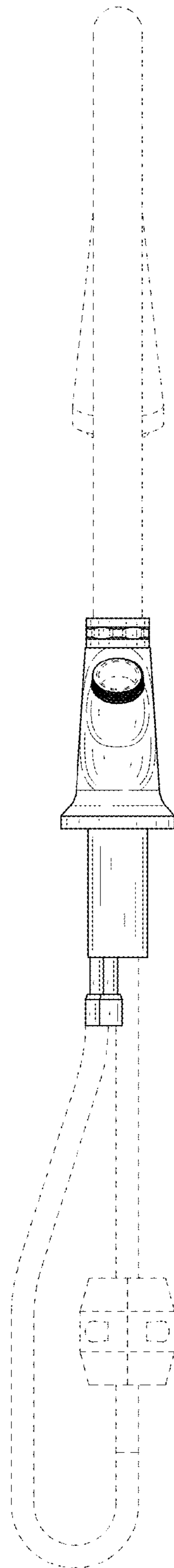


FIG. 5

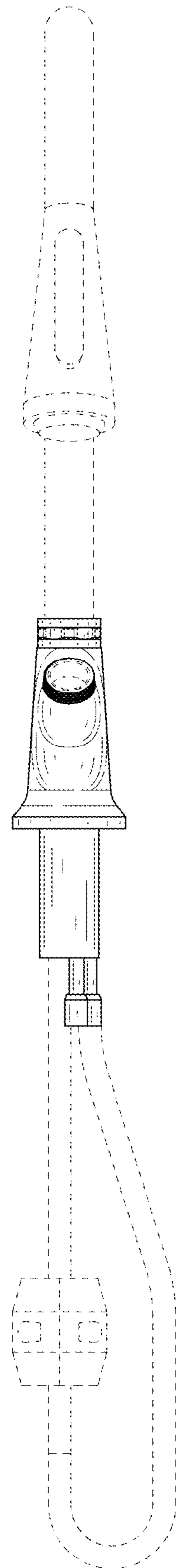


FIG. 6



FIG. 7

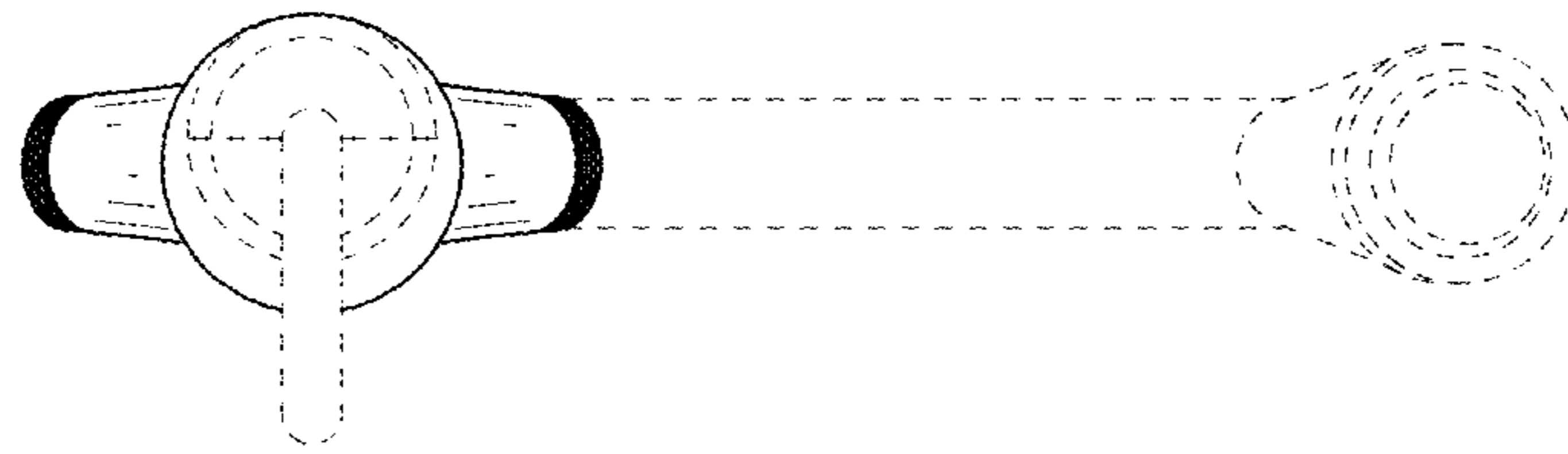


FIG. 8

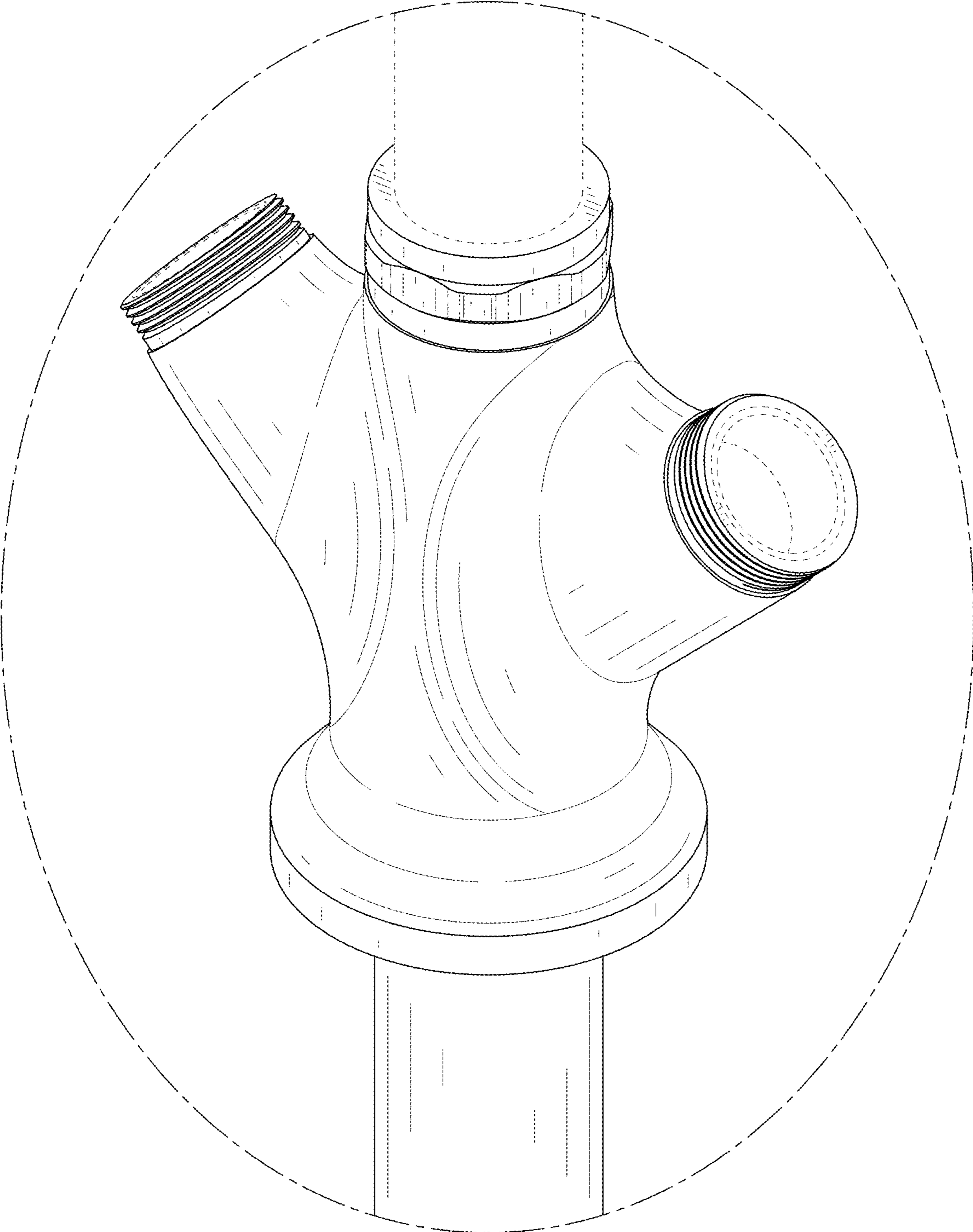


FIG. 9

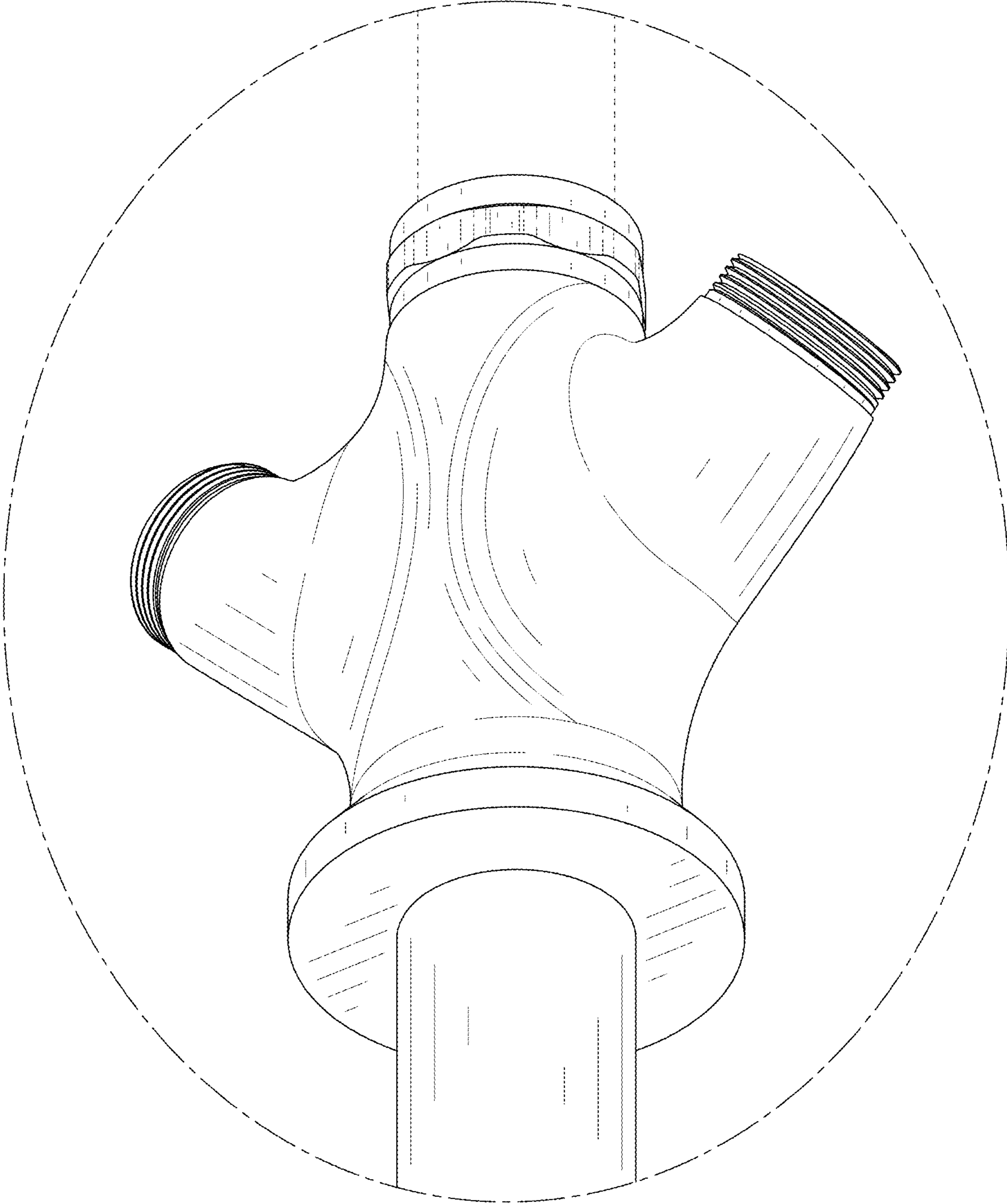


FIG. 10