



US00D982719S

(12) **United States Design Patent**  
**Yang et al.**

(10) **Patent No.:** **US D982,719 S**

(45) **Date of Patent:** **\*\* Apr. 4, 2023**

(54) **FAUCET**

(71) Applicant: **XIAMEN LOTA INTERNATIONAL CO., LTD.**, Xiamen (CN)

(72) Inventors: **Yanping Yang**, Xiamen (CN); **Fahong Chen**, Xiamen (CN); **Yunlong Xie**, Xiamen (CN); **Liming Ye**, Xiamen (CN)

(73) Assignee: **XIAMEN LOTA INTERNATIONAL CO., LTD.**, Xiamen (CN)

(\*\*) Term: **15 Years**

(21) Appl. No.: **29/843,494**

(22) Filed: **Jun. 21, 2022**

(51) **LOC (14) Cl.** ..... **23-01**

(52) **U.S. Cl.**  
USPC ..... **D23/241**

(58) **Field of Classification Search**  
USPC ..... D23/238, 241-243, 249-250, 252, 254;  
D8/307-308, 352

See application file for complete search history.

(56) **References Cited**

**U.S. PATENT DOCUMENTS**

D373,179 S \* 8/1996 Sieger ..... D23/241  
D461,540 S \* 8/2002 Gottwald ..... D23/257

D535,725 S \* 1/2007 Chu ..... D23/242  
D564,073 S \* 3/2008 Shieh ..... D23/238  
D793,534 S \* 8/2017 Fritz ..... D23/242  
D794,758 S \* 8/2017 Block ..... D23/249  
D855,769 S 8/2019 Eads  
D874,614 S 2/2020 Lazarini  
D912,781 S \* 3/2021 He ..... D23/242

\* cited by examiner

*Primary Examiner* — Robert A Delehanty

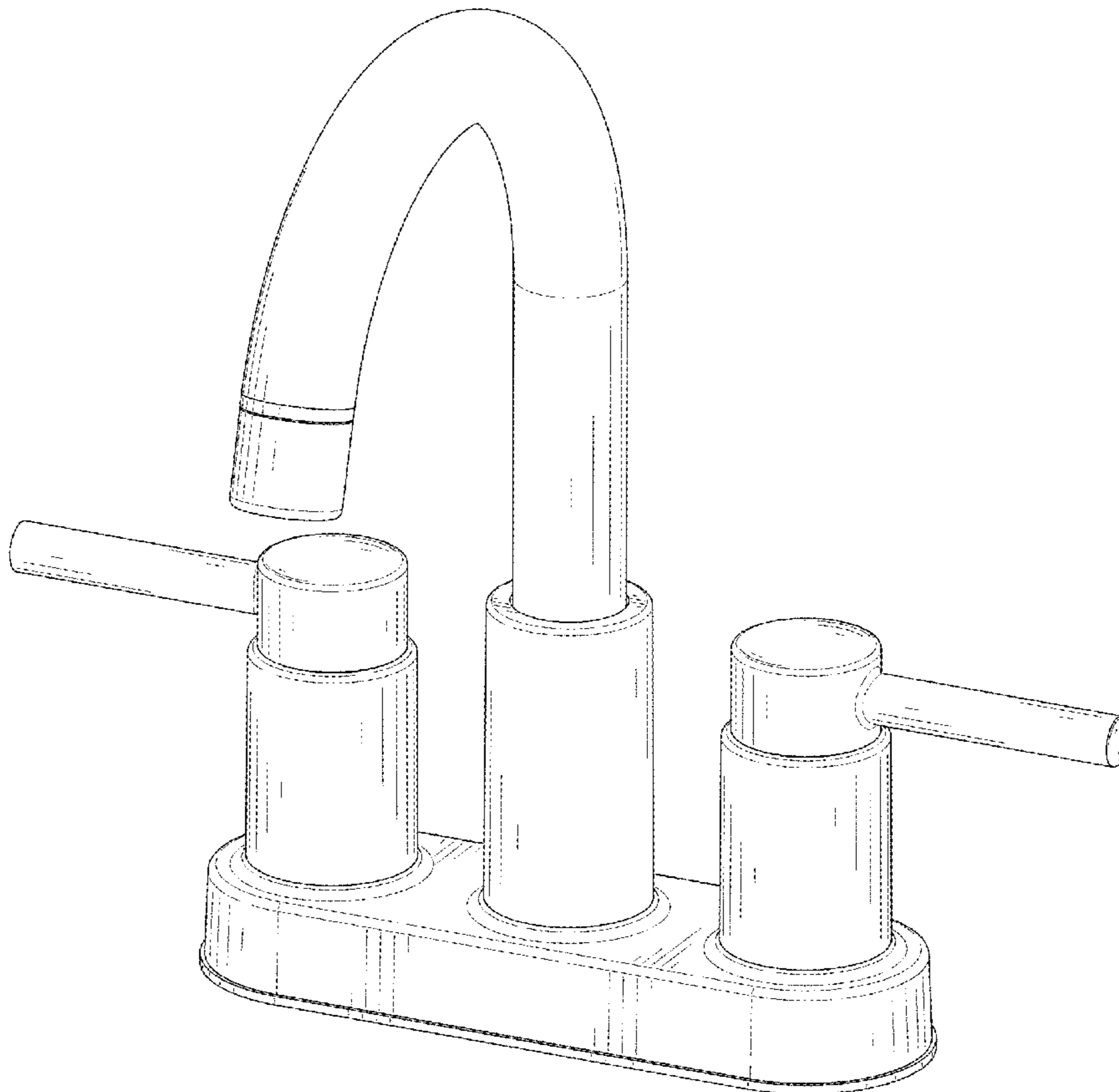
(57) **CLAIM**

The ornamental design for a faucet, as shown and described.

**DESCRIPTION**

FIG. 1 is a perspective view of a first embodiment of a faucet showing our new design;  
FIG. 2 is another perspective view thereof;  
FIG. 3 is a front elevational view thereof;  
FIG. 4 is a rear elevational view thereof;  
FIG. 5 is a left side elevational view thereof;  
FIG. 6 is a right side elevational view thereof;  
FIG. 7 is a top plan view thereof; and,  
FIG. 8 is a bottom plan view thereof.  
The broken lines in the drawings depict portions of the faucet that form no part of the claimed design.

**1 Claim, 8 Drawing Sheets**



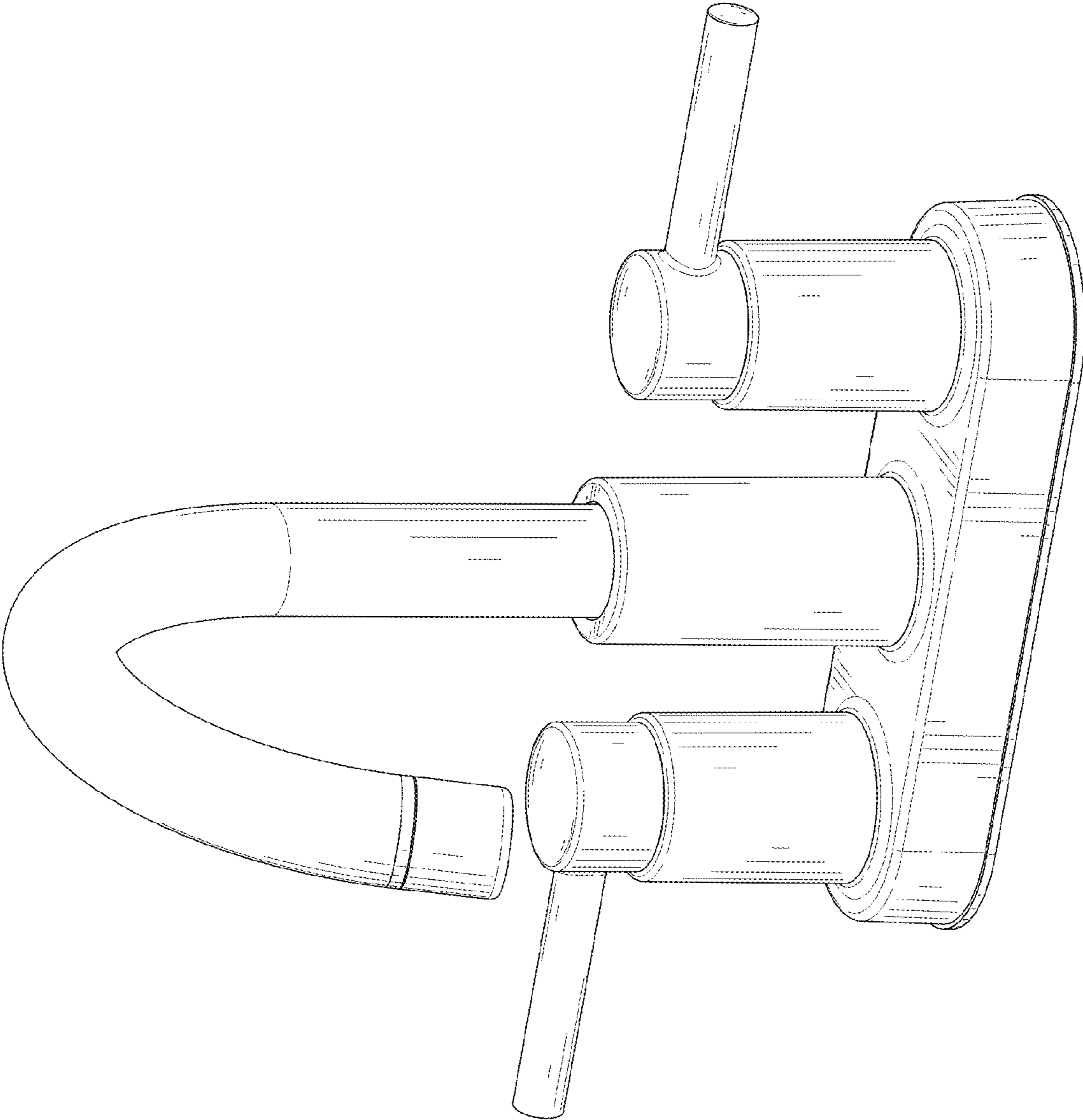


FIG. 1

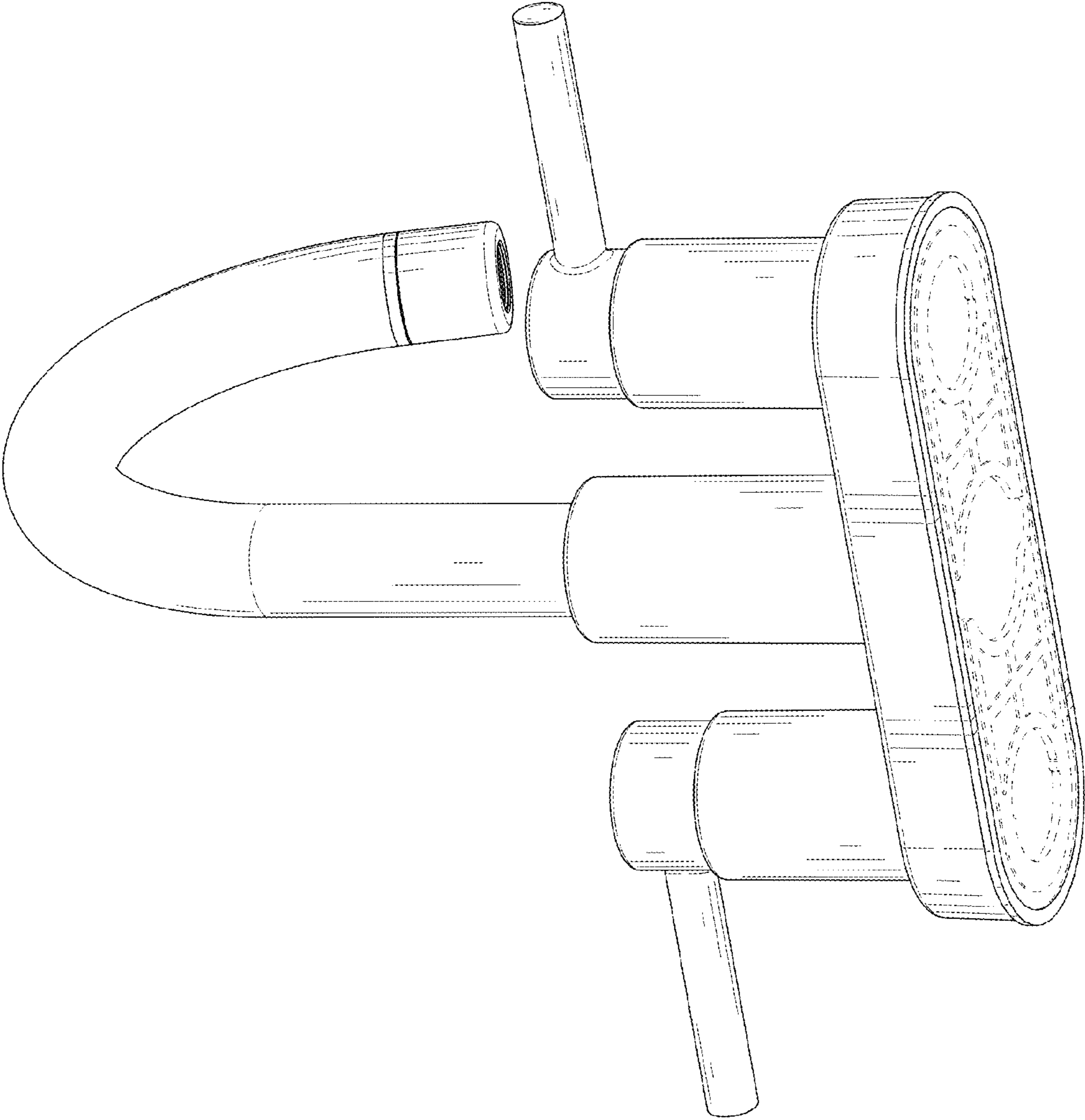


FIG. 2

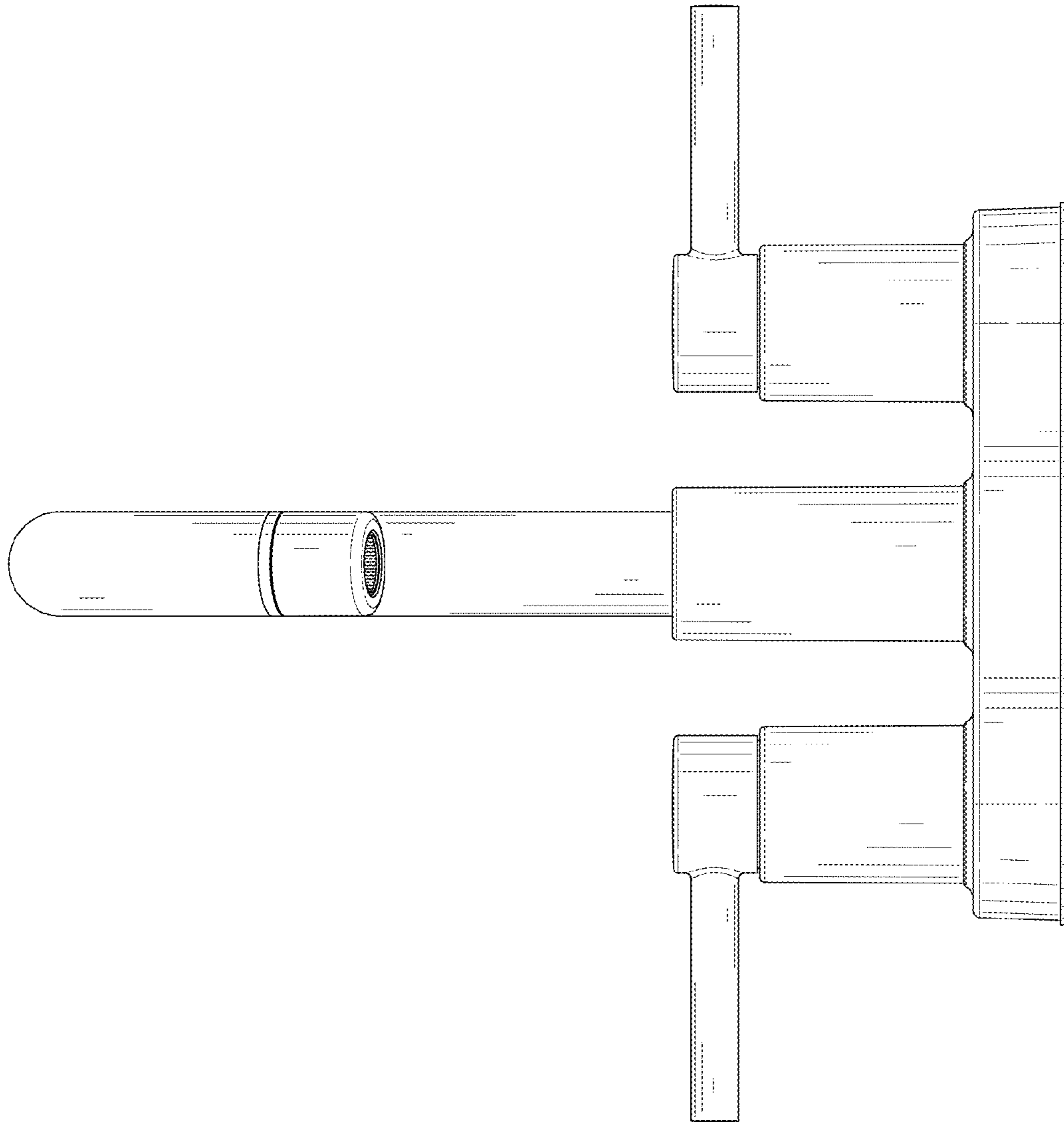


FIG. 3

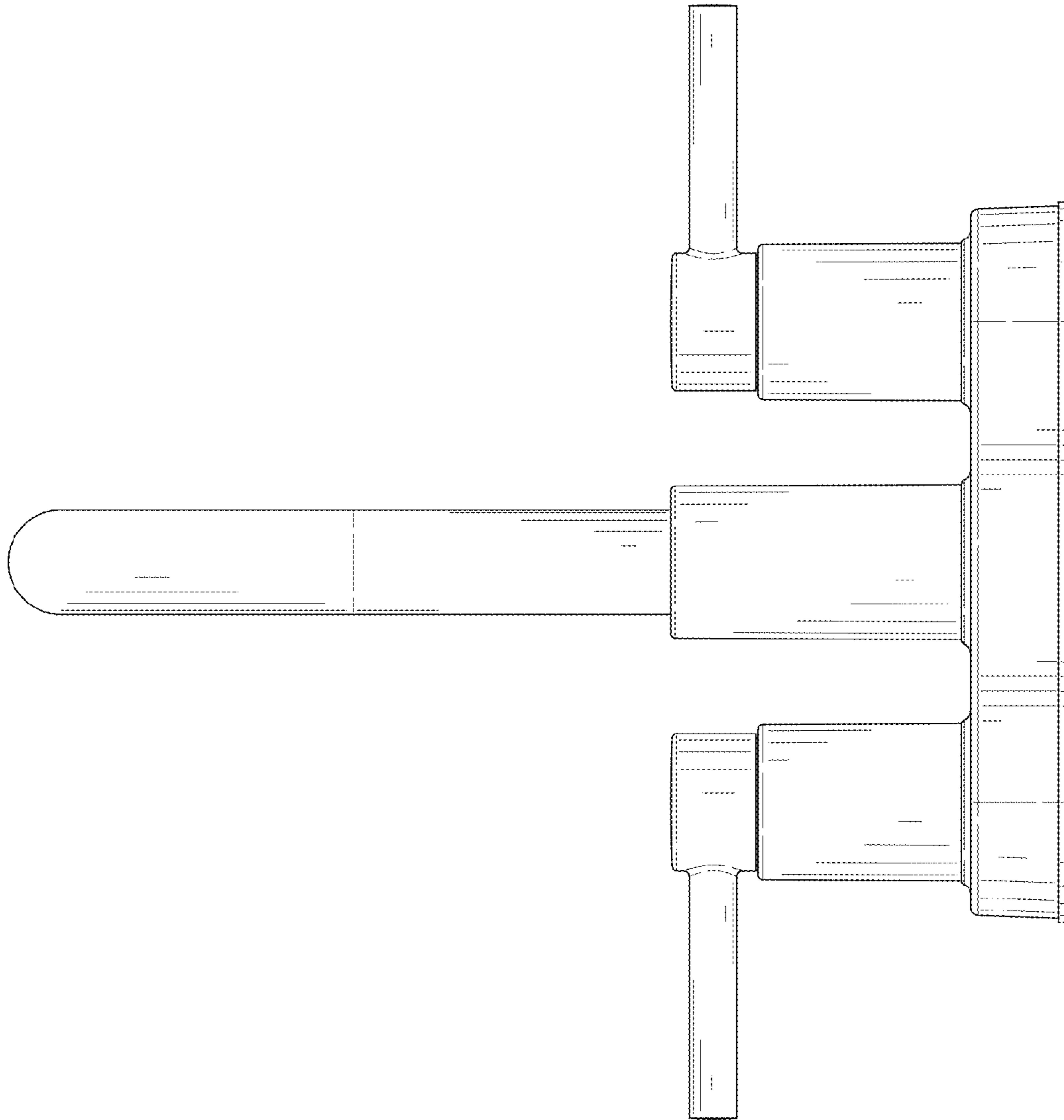


FIG. 4

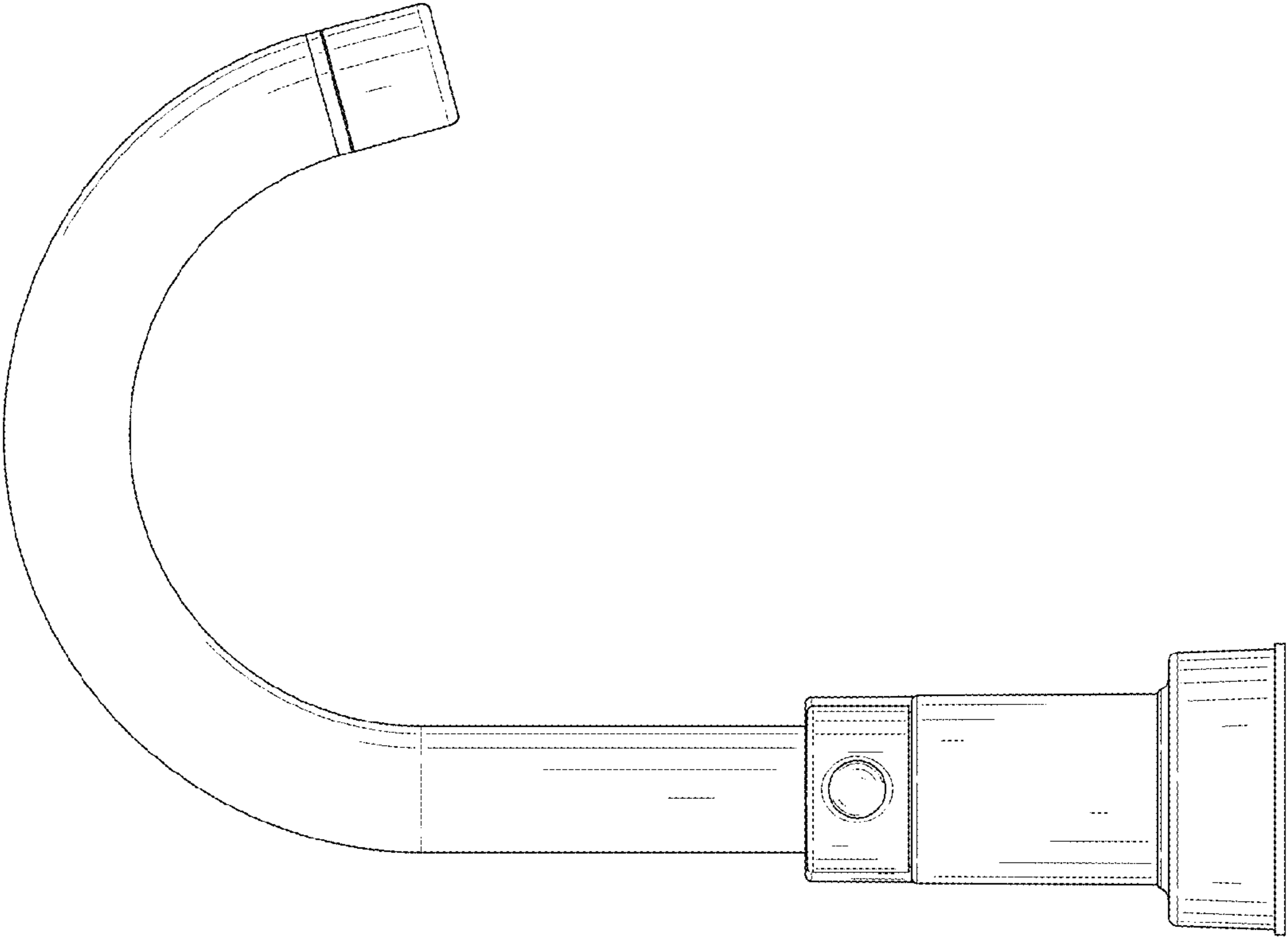


FIG. 5

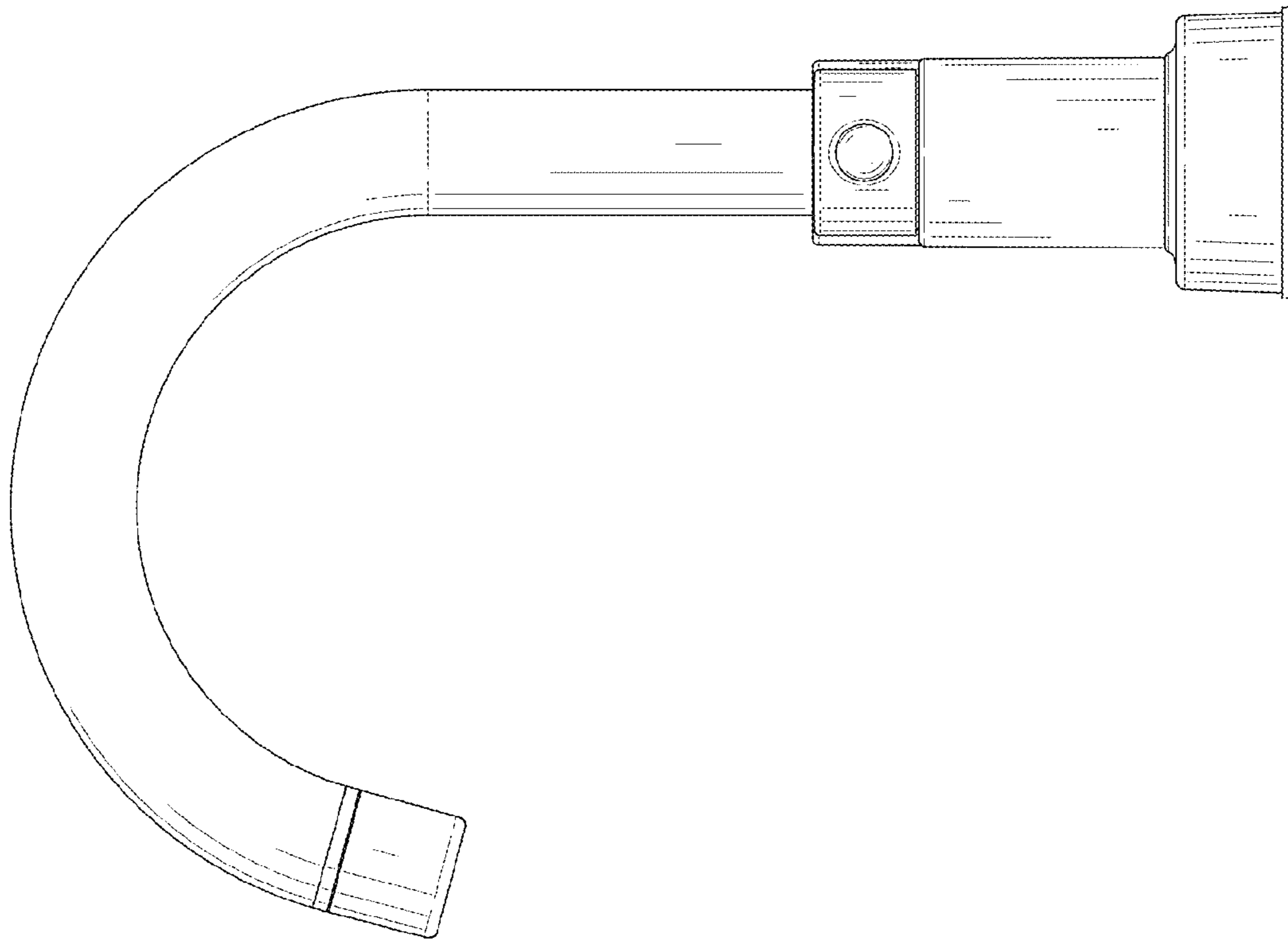


FIG. 6

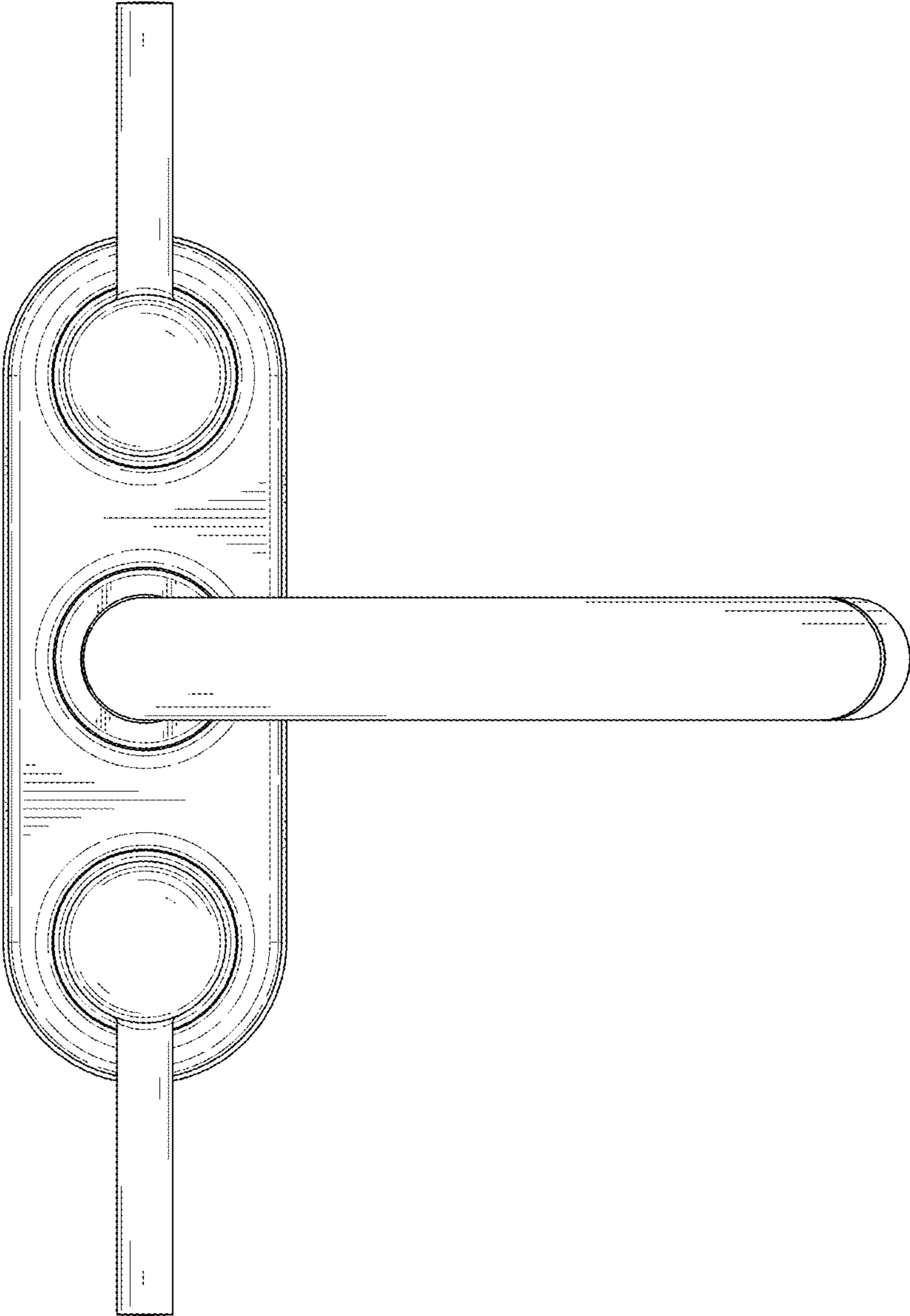


FIG. 7



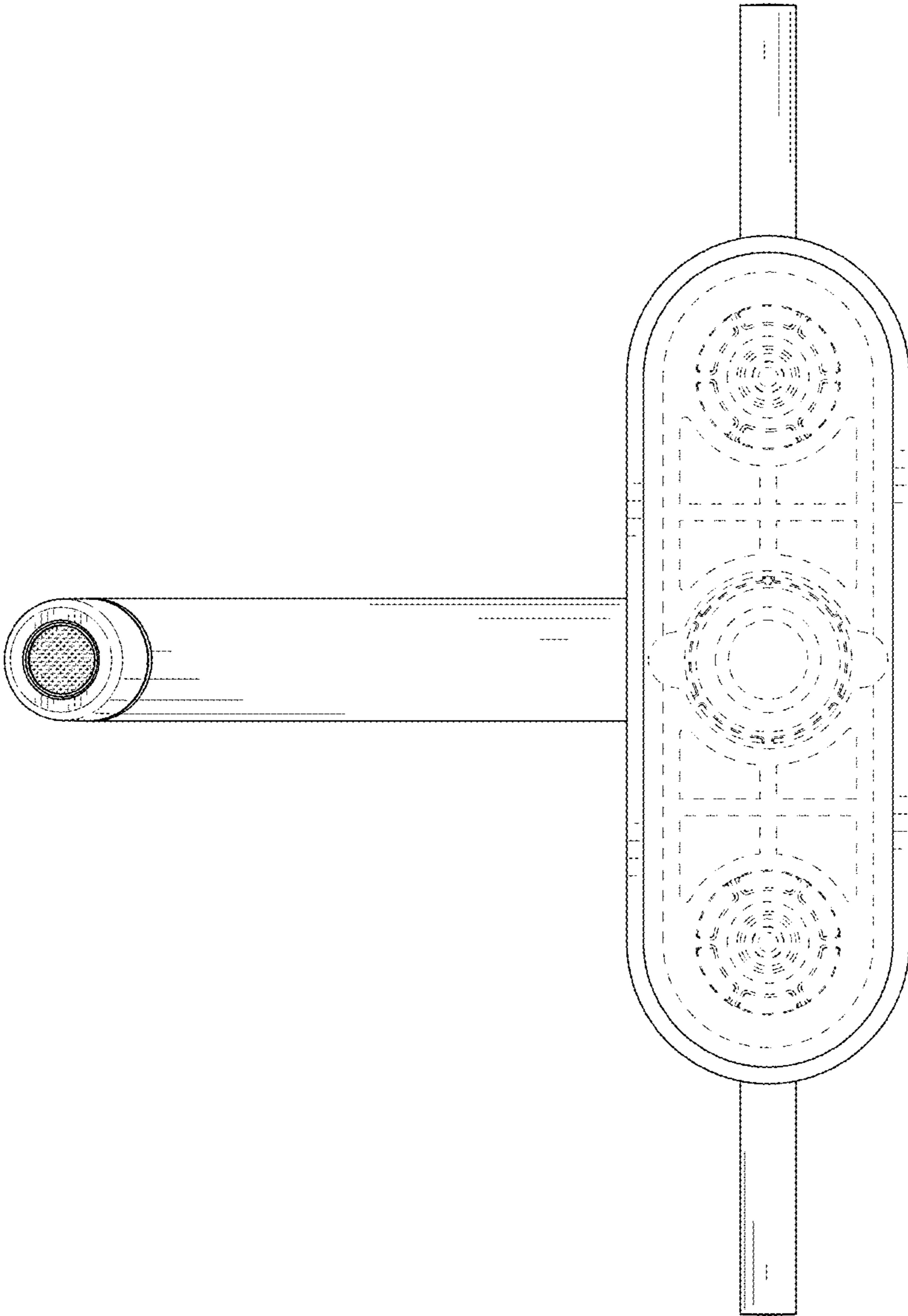


FIG. 8