



US00D982718S

(12) **United States Design Patent**
Fritz

(10) **Patent No.:** **US D982,718 S**

(45) **Date of Patent:** **** Apr. 4, 2023**

(54) **FAUCET**

(71) Applicant: **DELTA FAUCET COMPANY,**
Indianapolis, IN (US)

(72) Inventor: **Seth Fritz,** Carmel, IN (US)

(73) Assignee: **DELTA FAUCET COMPANY,**
Indianapolis, IN (US)

(**) Term: **15 Years**

(21) Appl. No.: **29/804,645**

(22) Filed: **Aug. 22, 2021**

(51) **LOC (14) Cl.** **23-01**

(52) **U.S. Cl.**
USPC **D23/238**

(58) **Field of Classification Search**
USPC D23/238, 241–243, 249, 239–240, 250,
D23/252, 254–255, 257; D8/307–308,
D8/353

See application file for complete search history.

(56) **References Cited**

U.S. PATENT DOCUMENTS

D533,632 S * 12/2006 Kennard D23/255
D534,243 S * 12/2006 Kennard D23/255
D579,306 S * 10/2008 Singtoroj D8/308

D868,939 S * 12/2019 Bahler D23/238
D875,218 S * 2/2020 Chen D23/255
D912,772 S * 3/2021 Seum D23/238
D922,536 S * 6/2021 Ao D23/252
D923,148 S * 6/2021 Lazarini D23/238
D941,959 S * 1/2022 Fritz D23/238
D954,188 S * 6/2022 Fritz D23/238
D954,221 S * 6/2022 Fritz D23/252

* cited by examiner

Primary Examiner — Robert A Delehanty

(74) *Attorney, Agent, or Firm* — Jeffrey L. Doyle

(57) **CLAIM**

The ornamental design for a faucet, as shown and described.

DESCRIPTION

FIG. 1 is a front perspective view of a faucet showing my new design;

FIG. 2 is a rear perspective view thereof;

FIG. 3 is a front elevational view thereof;

FIG. 4 is a left side view thereof;

FIG. 5 is a rear view thereof;

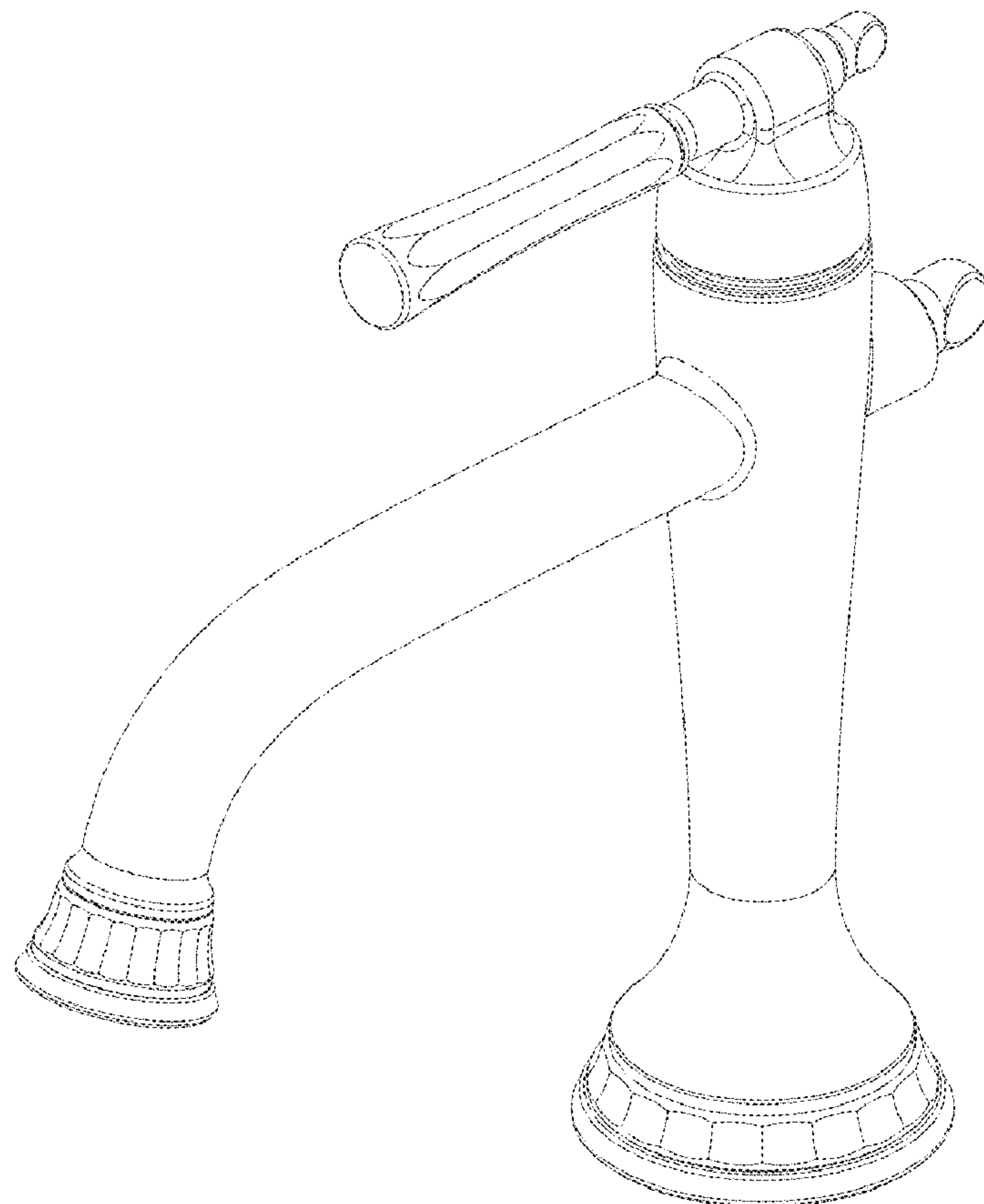
FIG. 6 is a right side view thereof;

FIG. 7 is a top plan view thereof; and,

FIG. 8 is a bottom view thereof.

The broken lines shown in the drawings represent unclaimed portions of the faucet and forms no part of the claimed design.

1 Claim, 4 Drawing Sheets



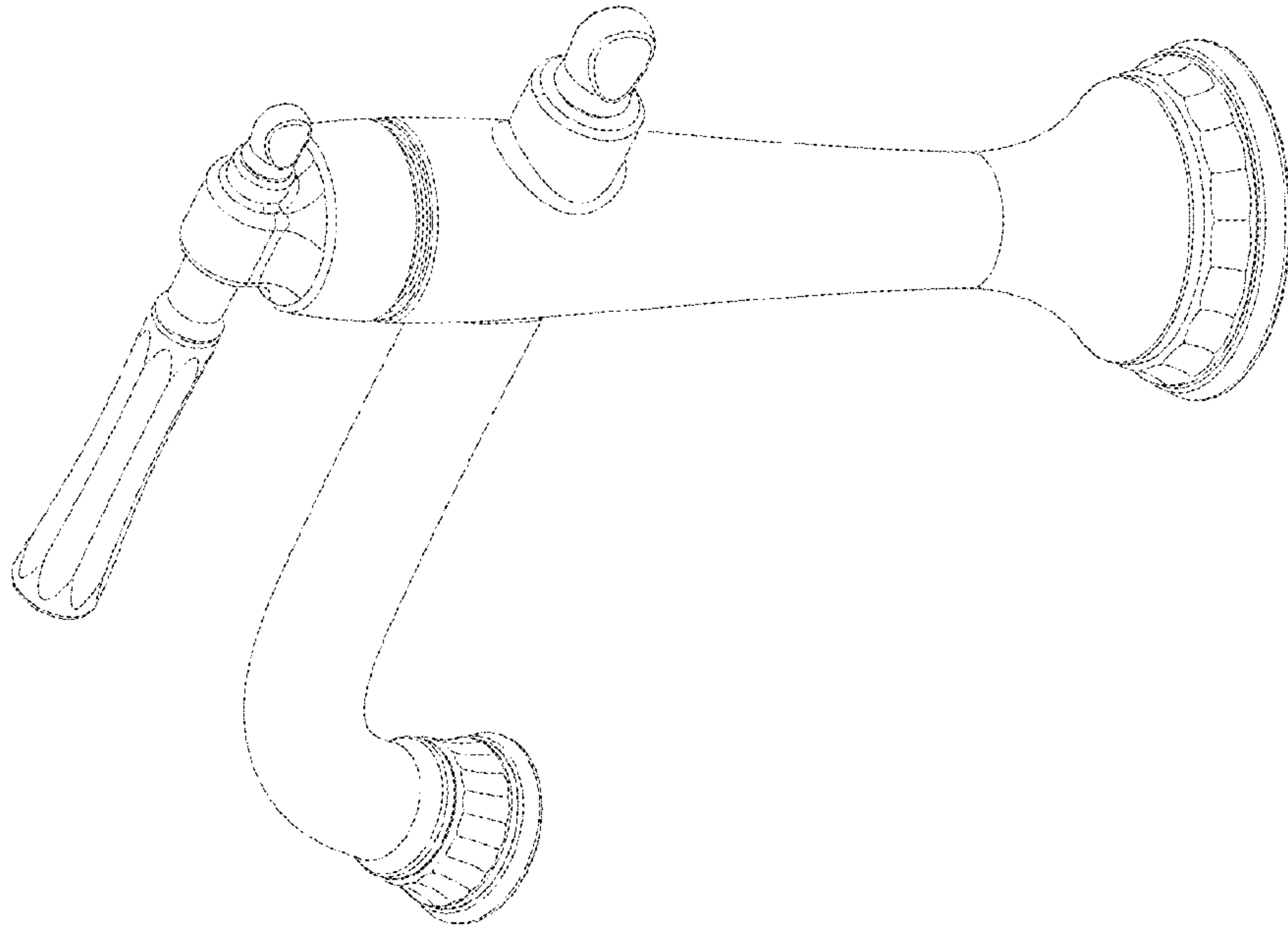


FIG - 2

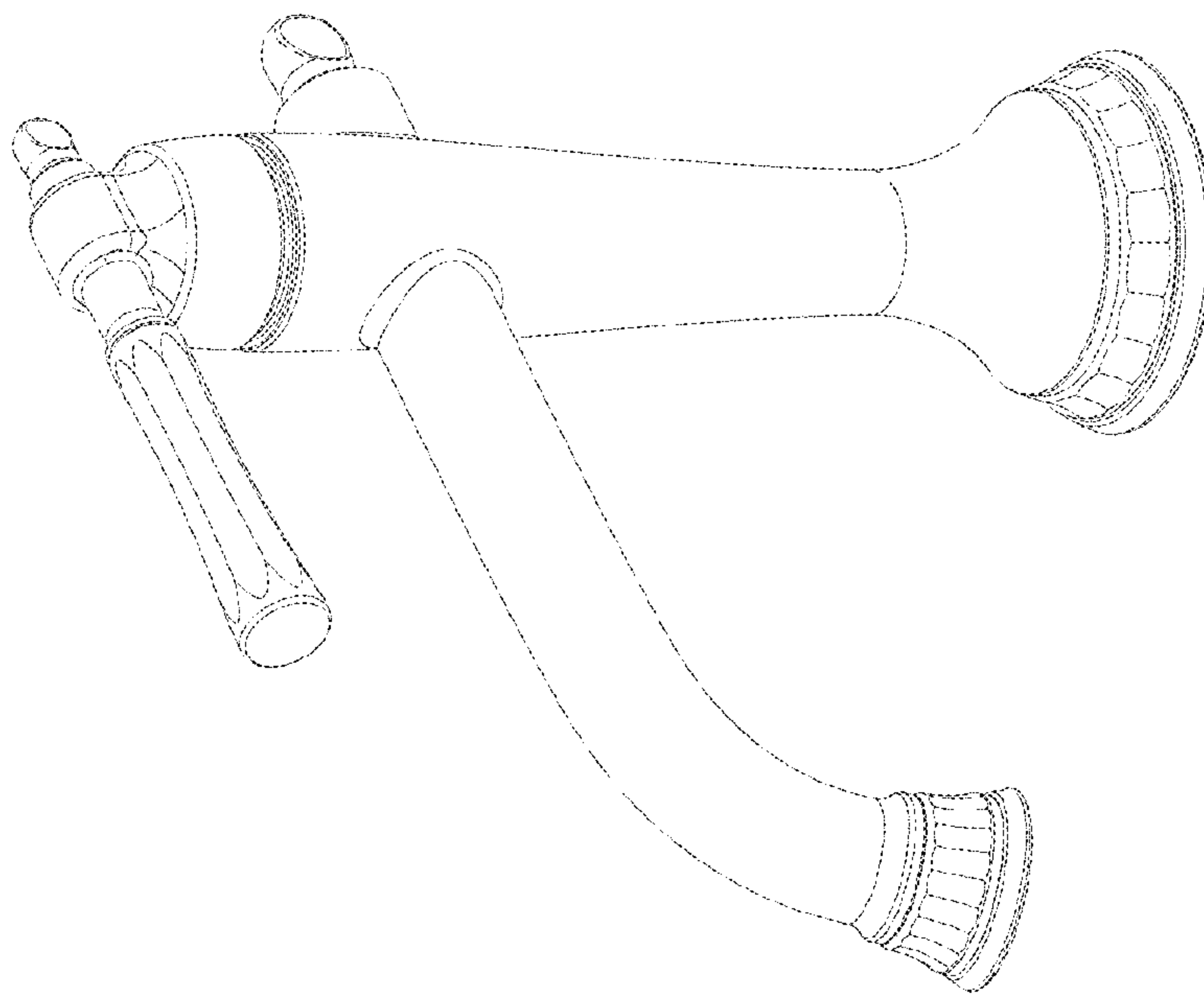


FIG - 1

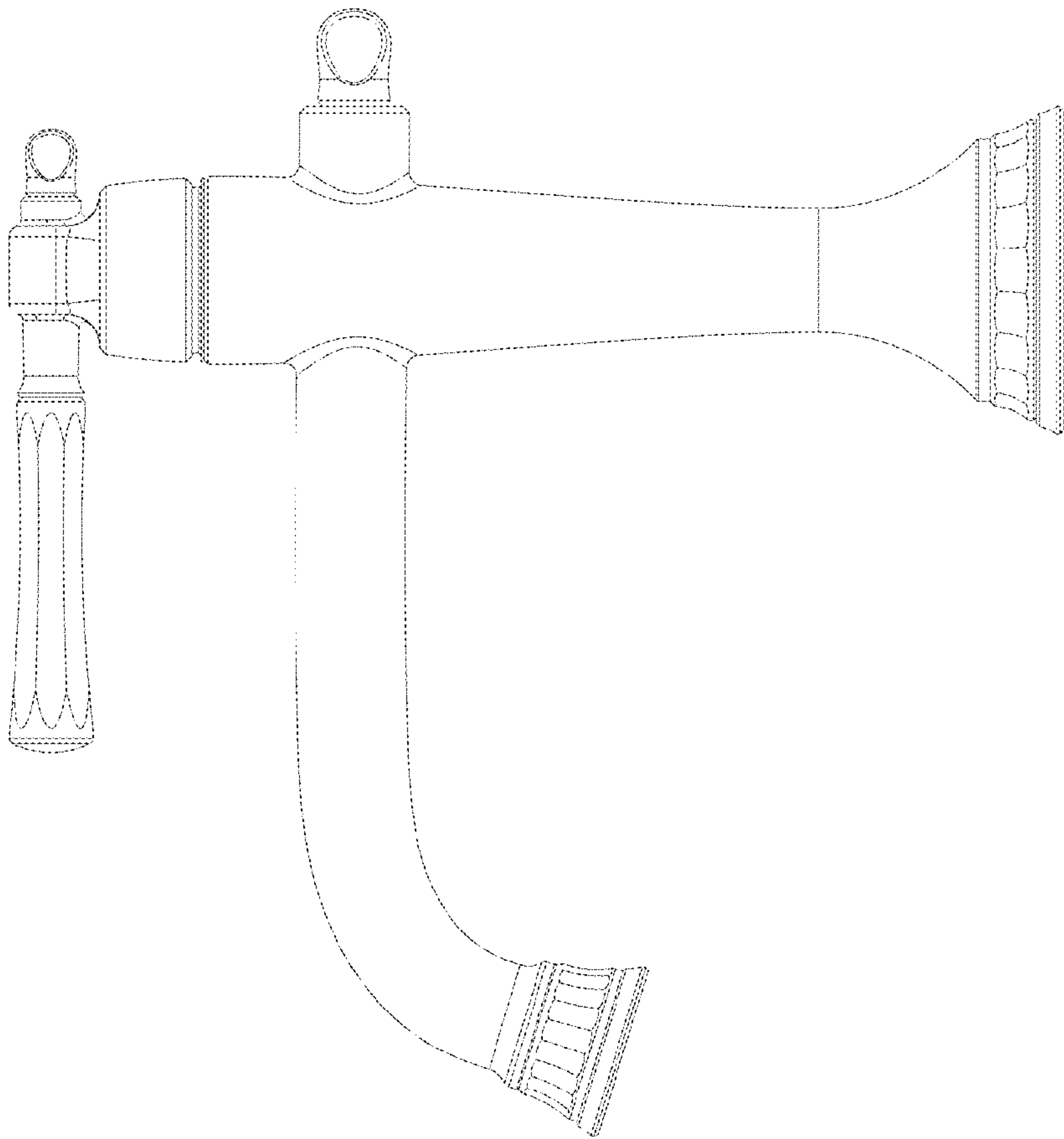


FIG - 4

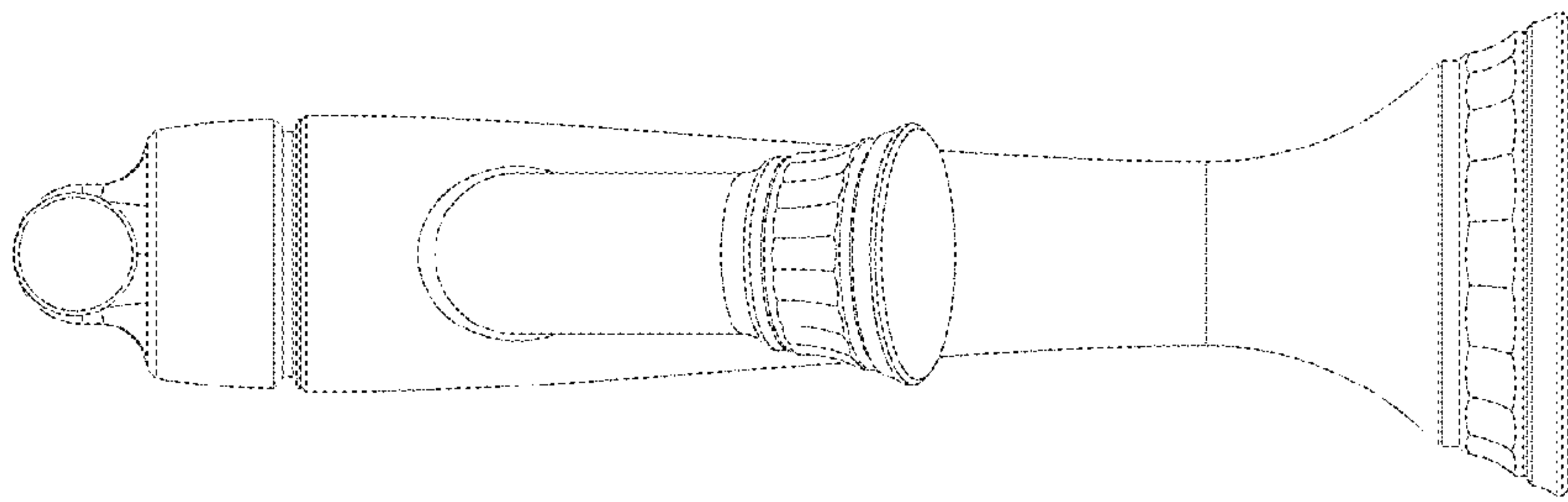


FIG - 3

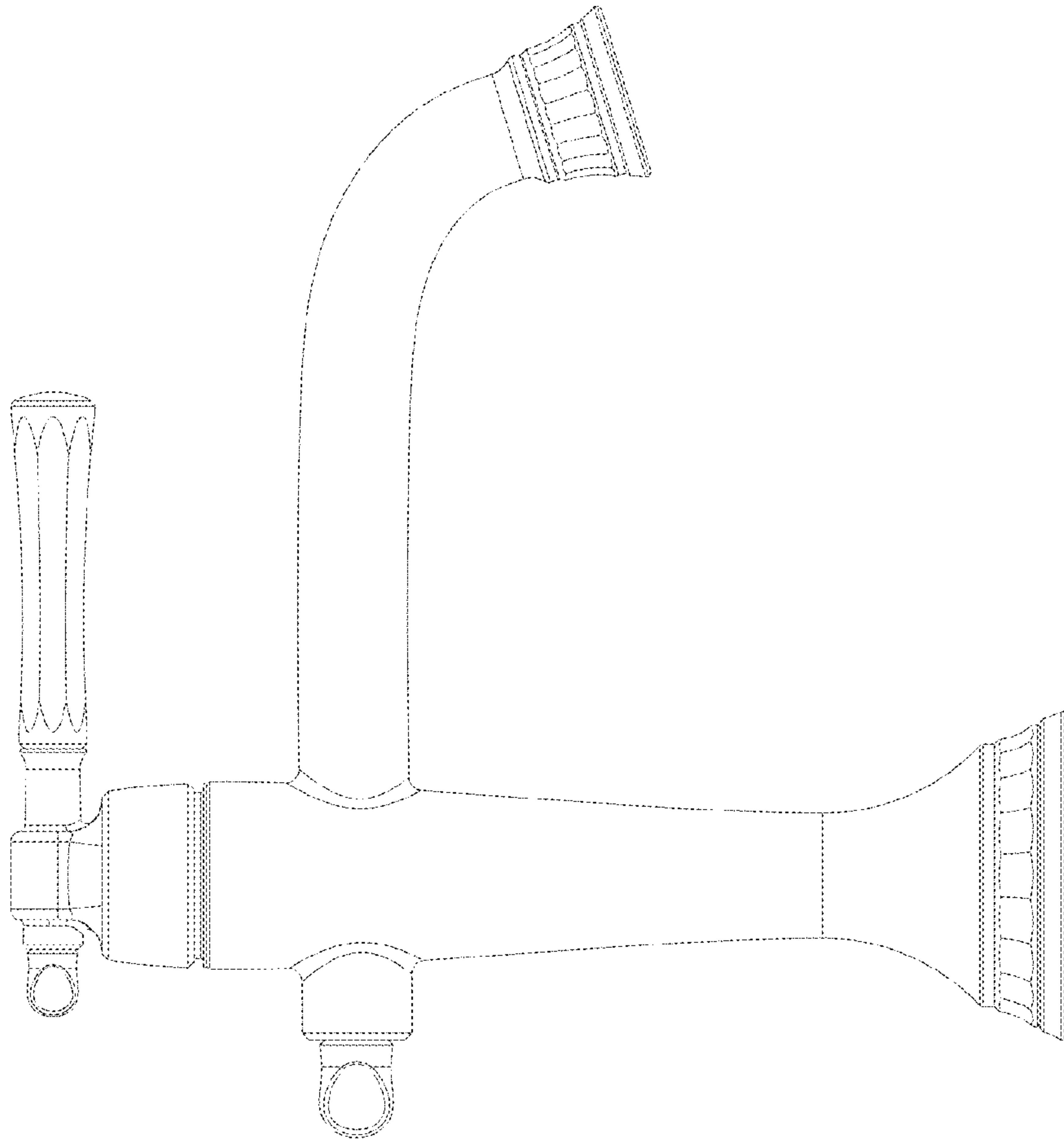


FIG - 6

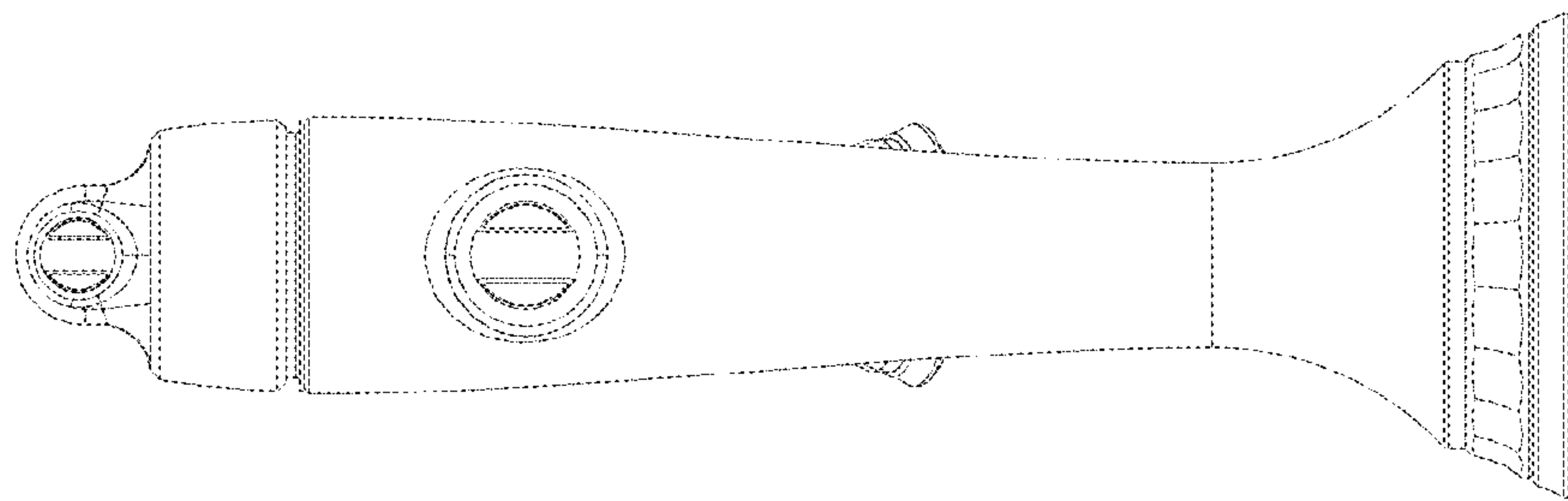


FIG - 5

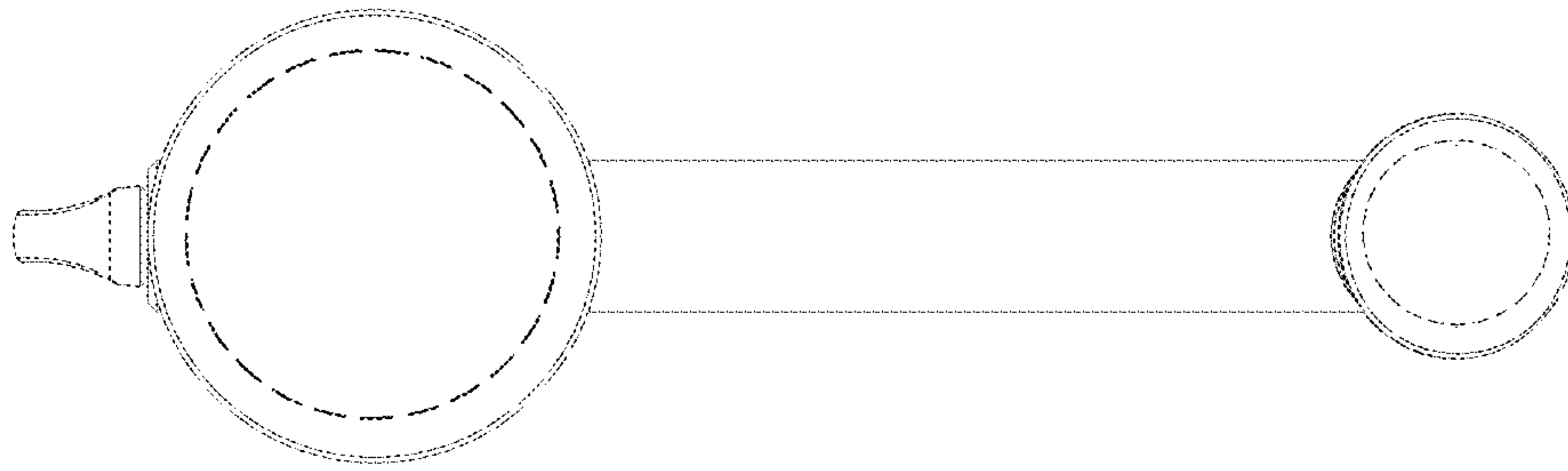


FIG - 8

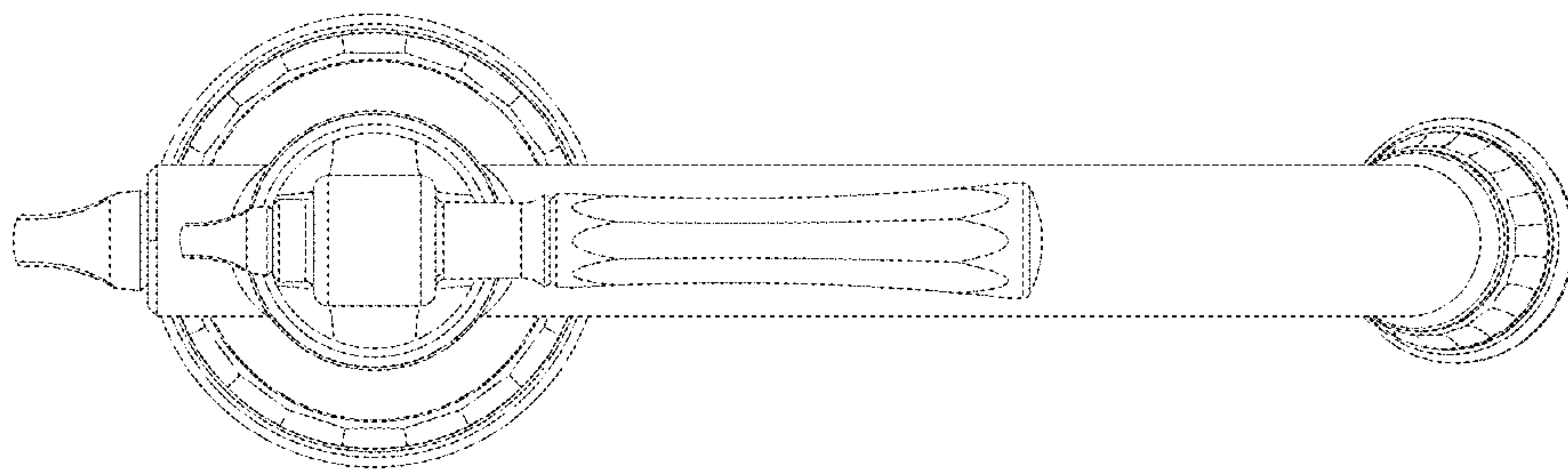


FIG - 7