



US00D982712S

(12) **United States Design Patent** (10) **Patent No.:** **US D982,712 S**
Yan (45) **Date of Patent:** **** Apr. 4, 2023**

(54) **SHOWER HEAD**

FOREIGN PATENT DOCUMENTS

(71) Applicant: **XIAMEN GALENPOO KITCHEN & BATHROOM TECHNOLOGY CO., LTD**, Xiamen (CN)

EM 008615967-0004 * 7/2021

(72) Inventor: **Xiaoling Yan**, Xiamen (CN)

OTHER PUBLICATIONS

(73) Assignee: **XIAMEN GALENPOO KITCHEN & BATHROOM TECHNOLOGY CO., LTD**, Xiamen (CN)

Hopopro 6 Functions Handheld Shower Head Set, High Pressure Shower Head High Flow Bathroom Hand Held Showerhead Replacement Tool-free 1-Min Installation Shower Body Sprays with 4.33 Inch Shower Panel, Date First Available: Jul. 26, 2020, site visited on Nov. 28, 2022 https://www.amazon.com/Functions-Handheld-Hopopro-Pressure-Showerhead/dp/B089B449X9/ref=sr_1_9?keywords=handheld%2Bshower%2Bhead&qid=1669655520&sprefix=handheld%2Bshower%2B%2Caps%2C166&sr=8-9&th=1 (Year: 2020).*

(**) Term: **15 Years**

(21) Appl. No.: **29/854,650**

Primary Examiner — Amy C Wierenga

(22) Filed: **Sep. 27, 2022**

Assistant Examiner — Andrea Marie McKay

(51) **LOC (14) Cl.** **23-01**

(74) *Attorney, Agent, or Firm* — Nitin Kaushik

(52) **U.S. Cl.**

USPC **D23/213**

(57) **CLAIM**

(58) **Field of Classification Search**

USPC D23/213, 214–221, 222–223, 226, 228, D23/229, 230, 238–242, 249

The ornamental design for a shower head, as shown and described.

CPC A61H 9/0021; A61H 33/00; B05B 1/185; B05B 1/08; B05B 1/02; B05B 1/26; B05B 12/002; B05B 1/18; B05B 9/01

DESCRIPTION

See application file for complete search history.

FIG. 1 is a front perspective view of a shower head, showing my new design;
FIG. 2 is a rear perspective view thereof;
FIG. 3 is a front view thereof;
FIG. 4 is a rear view thereof;
FIG. 5 is a left side view thereof;
FIG. 6 is a right side view thereof;
FIG. 7 is a top view thereof;
FIG. 8 is a bottom view thereof;
FIG. 9 is an enlarged detail view of the selected portion 9 in FIG. 1; and,
FIG. 10 is an enlarged detail view of the selected portion 10 in FIG. 1.

(56) **References Cited**

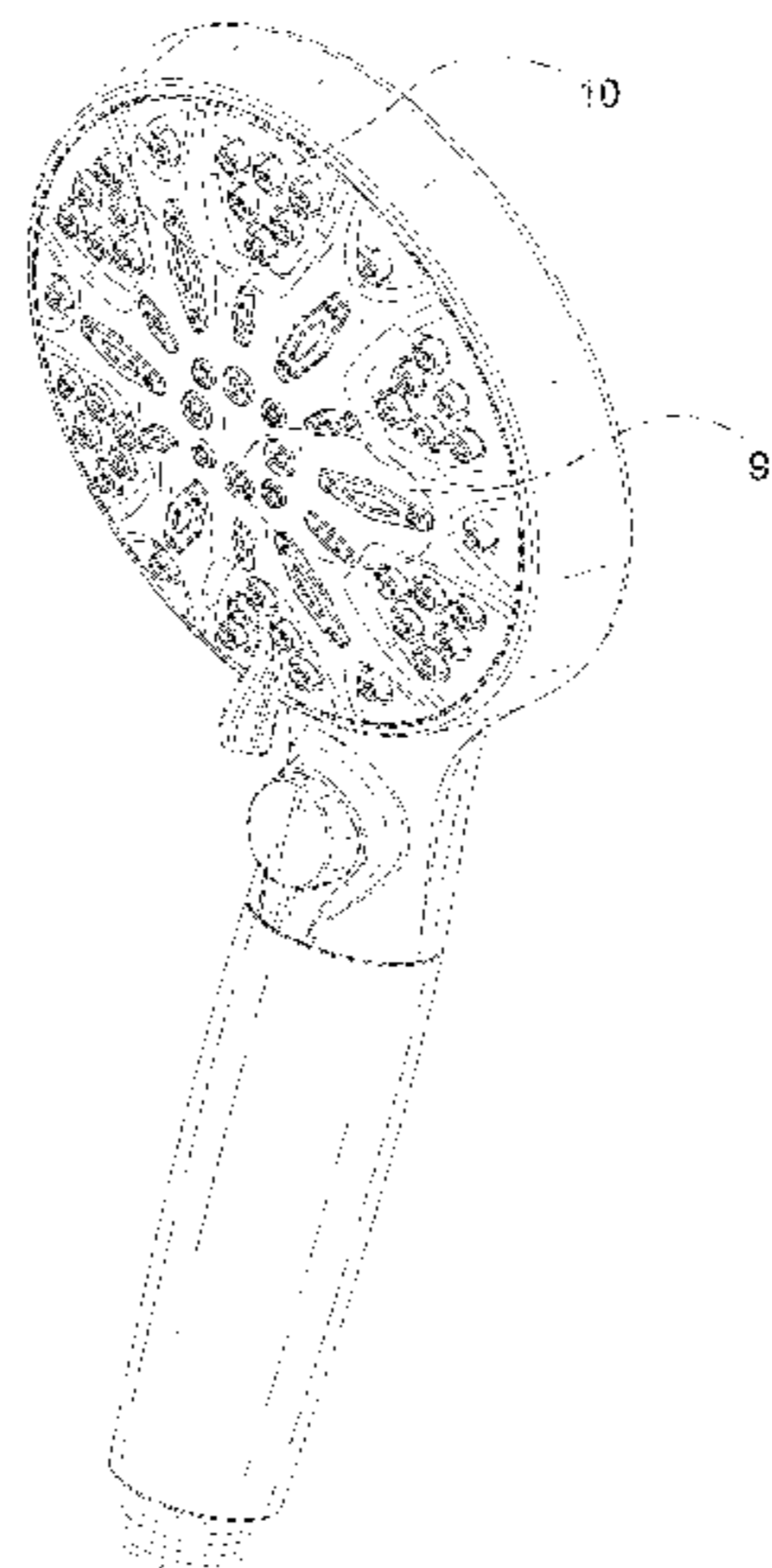
U.S. PATENT DOCUMENTS

D667,928 S * 9/2012 Cutler D23/223
D889,602 S * 7/2020 Wu B05B 15/62
D889,603 S * 7/2020 Wu D23/223
D901,630 S * 11/2020 Wu E03C 1/06
D908,839 S * 1/2021 Wu D23/223
D908,840 S * 1/2021 Wu B05B 12/04
D917,663 S * 4/2021 Yan D23/223
D931,411 S * 9/2021 Yan D23/213

The dashed broken lines depict portions of the shower head that form no part of the claim.

(Continued)

(Continued)



The long dash-short-dash broken lines shown in FIGS. 1 and 9-10 indicate cutoff boundaries for the enlarged detailed portion views and form no part of the claim.

1 Claim, 10 Drawing Sheets

(56) **References Cited**

U.S. PATENT DOCUMENTS

D933,778	S	*	10/2021	Salvador	D23/213
D934,381	S	*	10/2021	Salvador	D23/213
D935,557	S	*	11/2021	Yan	D23/213
D936,178	S	*	11/2021	Lin	D23/213
D943,062	S	*	2/2022	Fan	D23/223
D958,290	S	*	7/2022	Corpuz, Jr.	D23/213
D961,047	S	*	8/2022	Ruan	D23/223
D961,728	S	*	8/2022	Yan	D23/223
D962,389	S		8/2022	Yu et al.		
2022/0143631	A1	*	5/2022	Fan	B05B 12/04
2022/0184643	A1	*	6/2022	Zhadanov	B05B 1/1636
2022/0266287	A1	*	8/2022	Shade	E03C 1/06

* cited by examiner

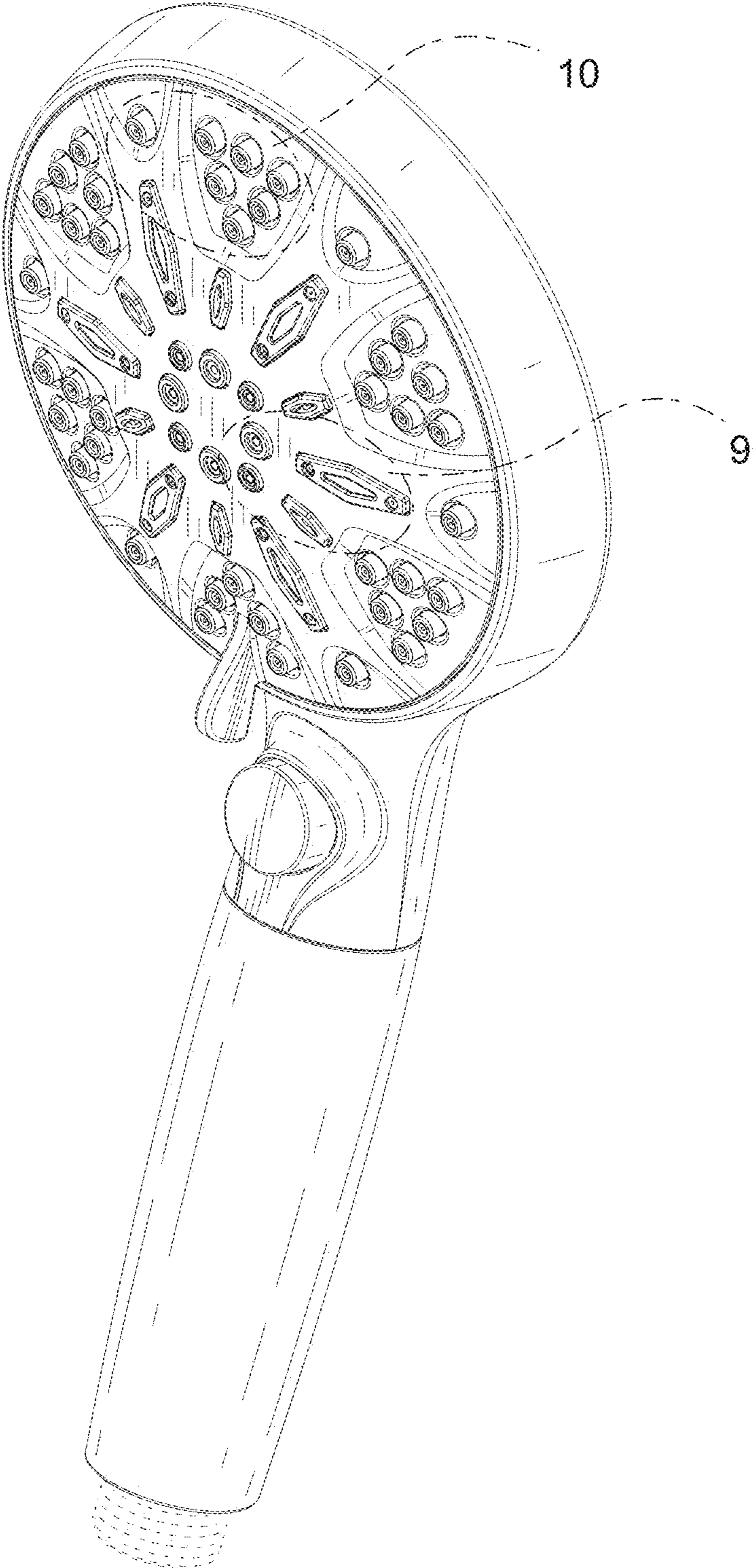


FIG. 1

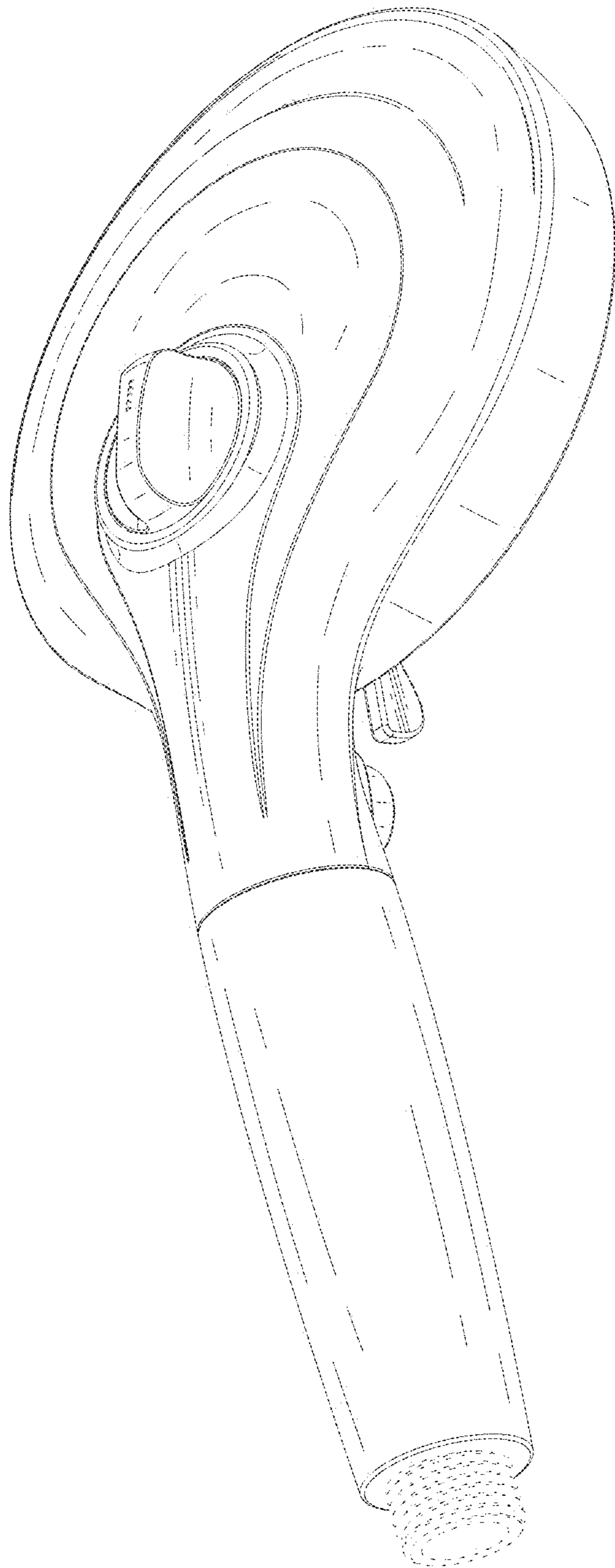


FIG. 2

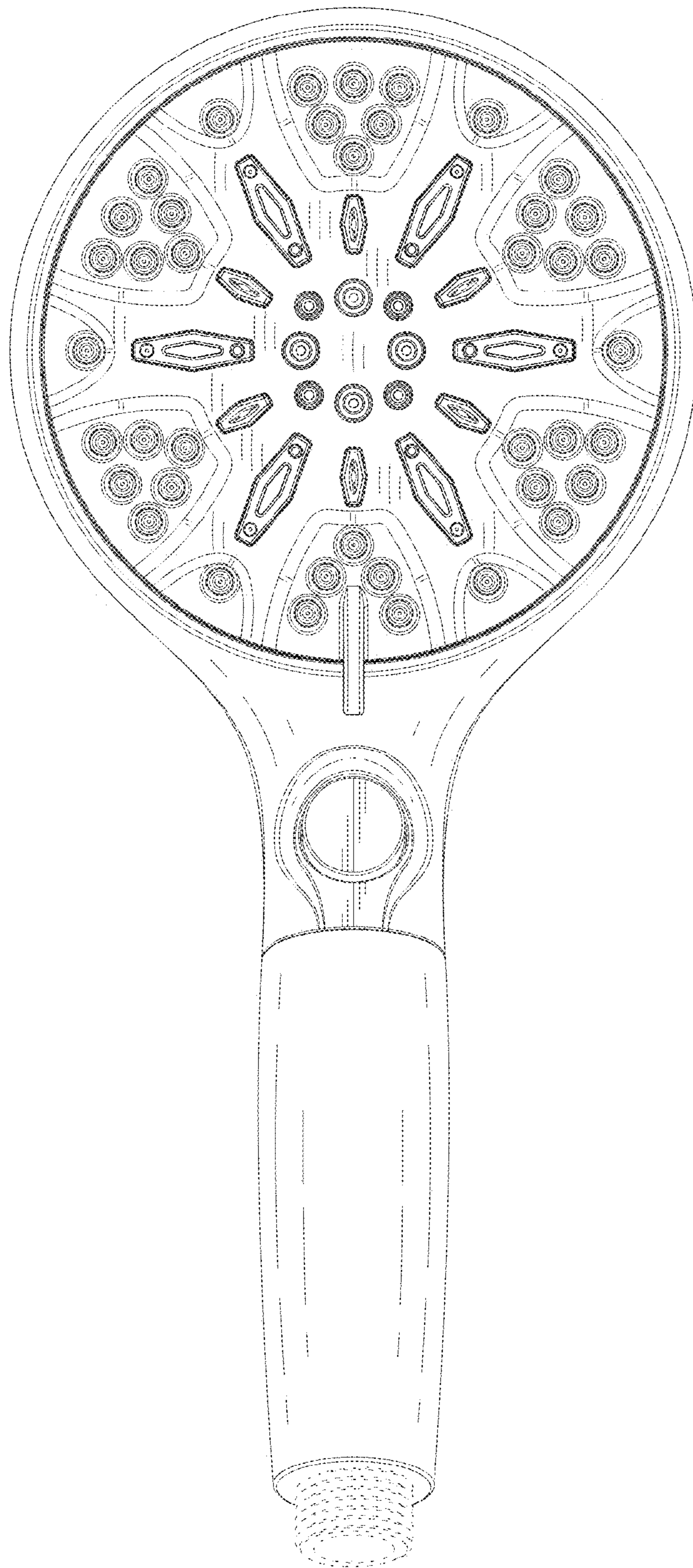


FIG. 3

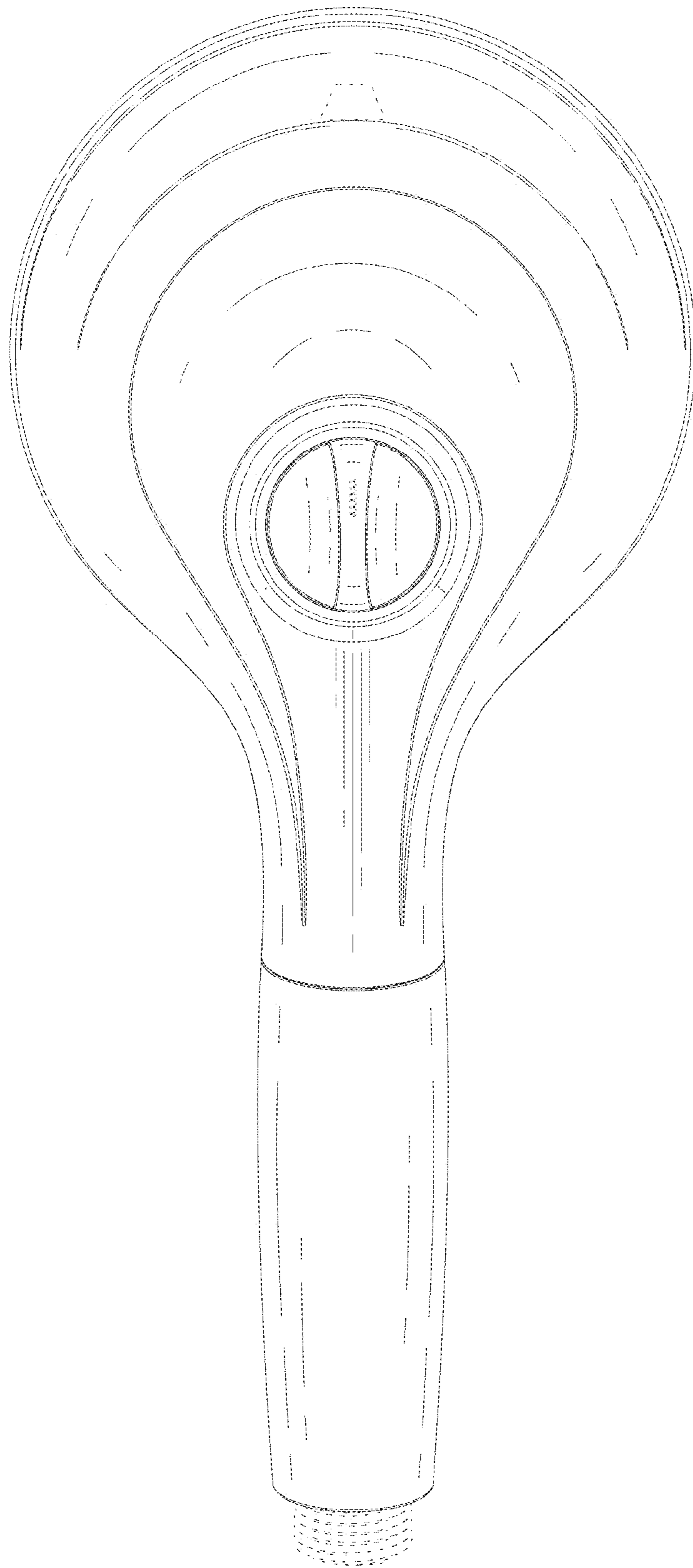


FIG. 4

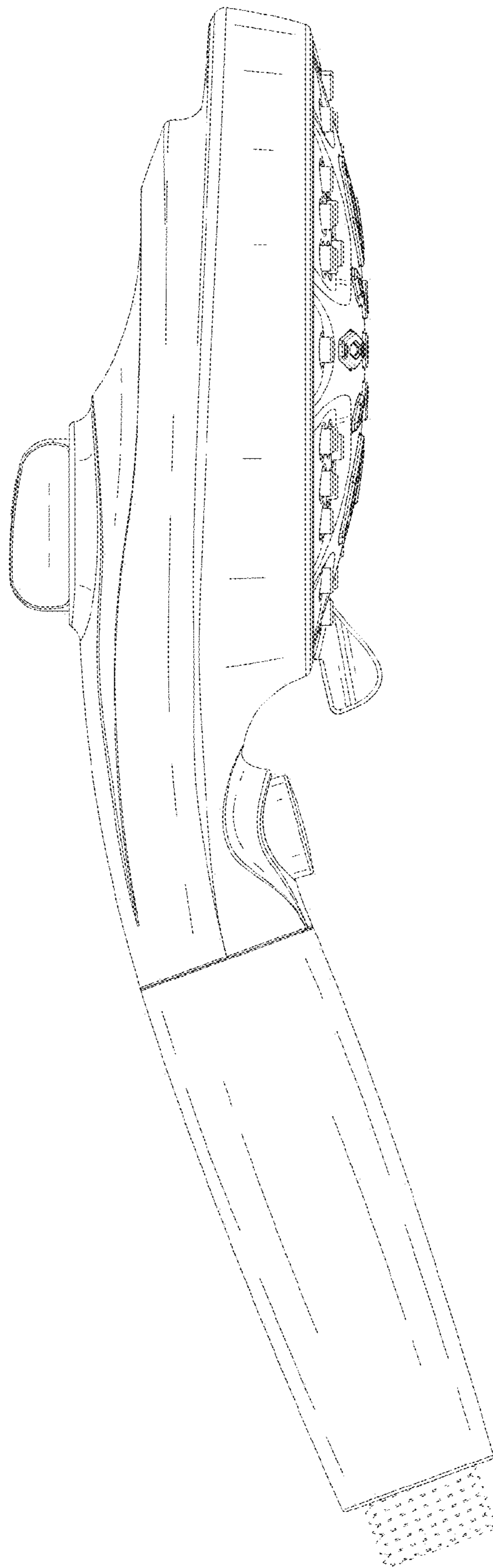


FIG. 5

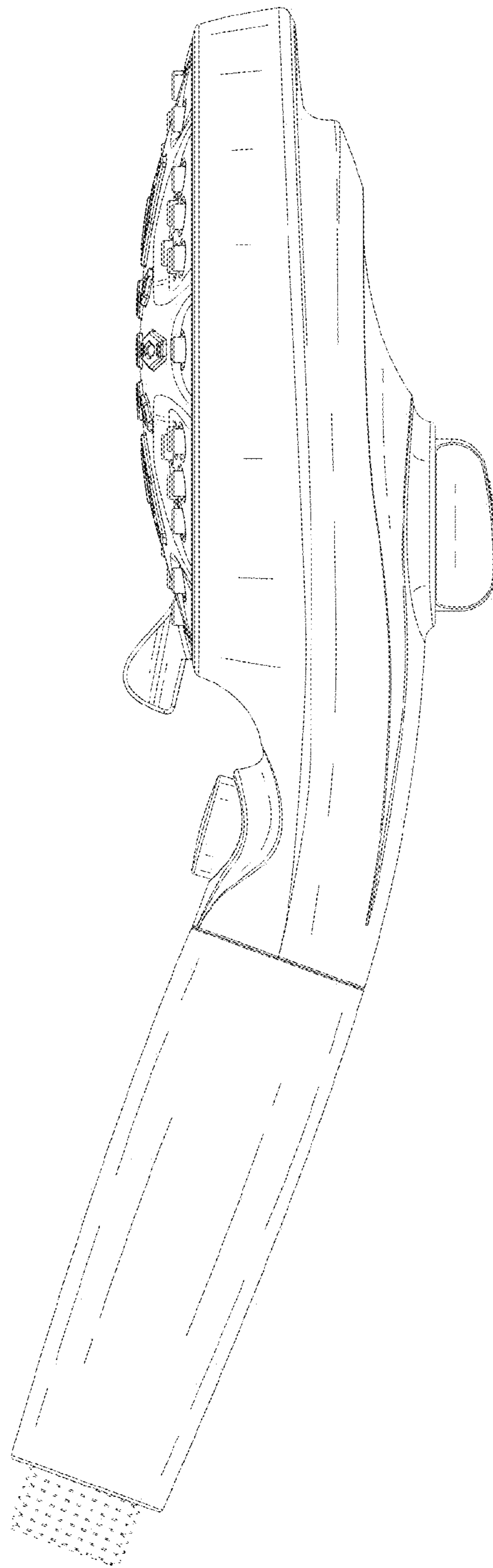


FIG. 6

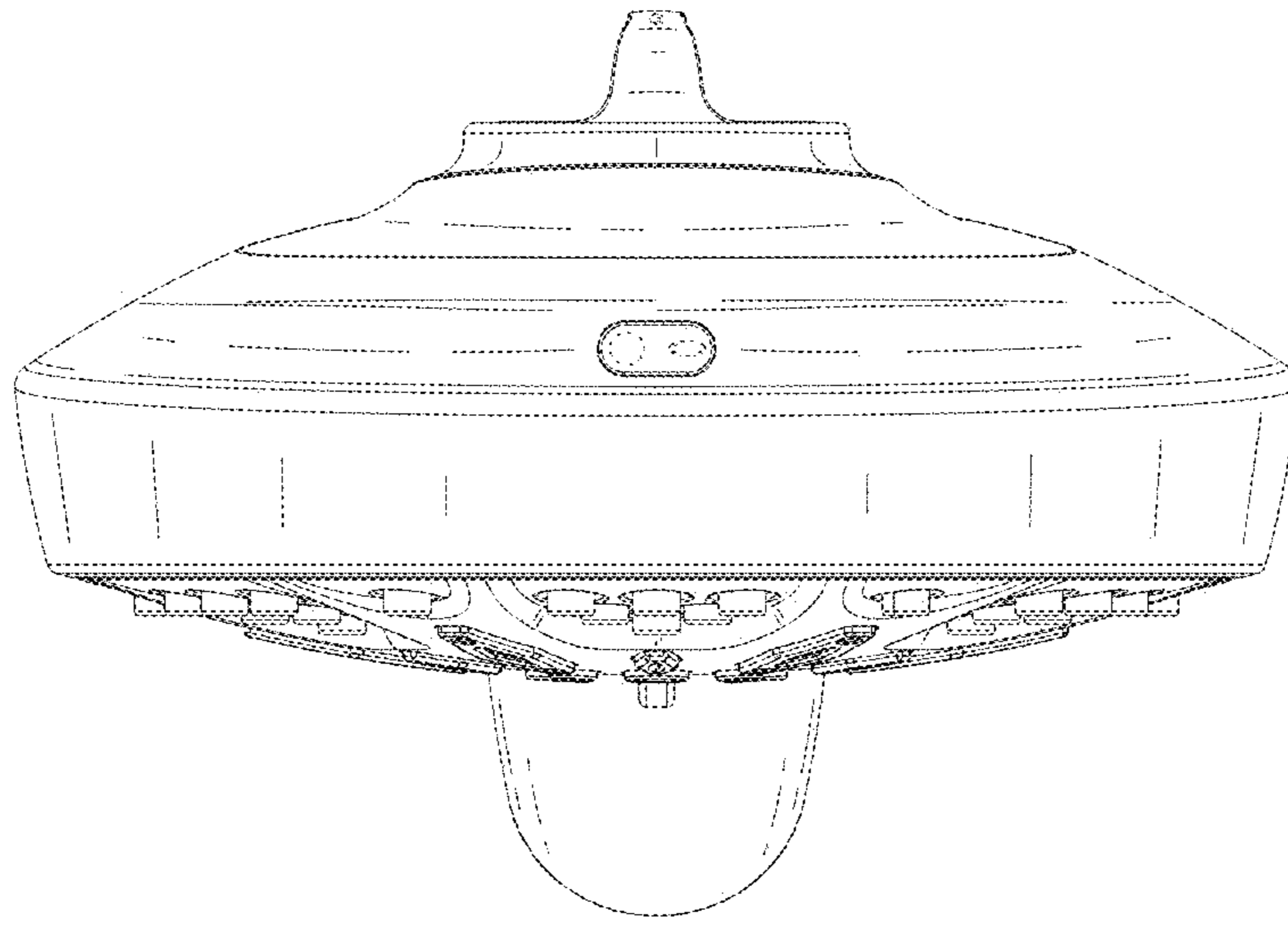


FIG. 7

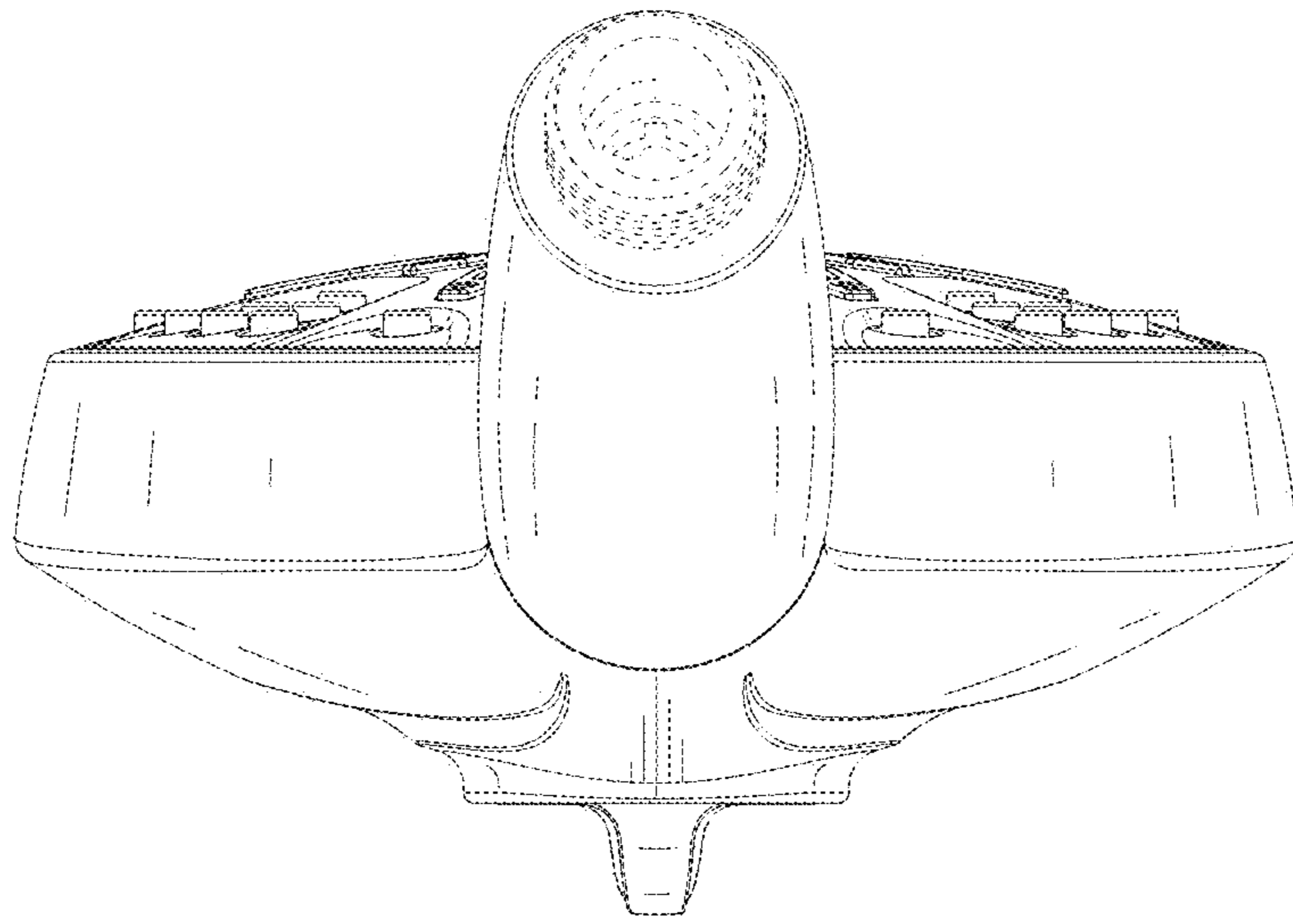


FIG. 8

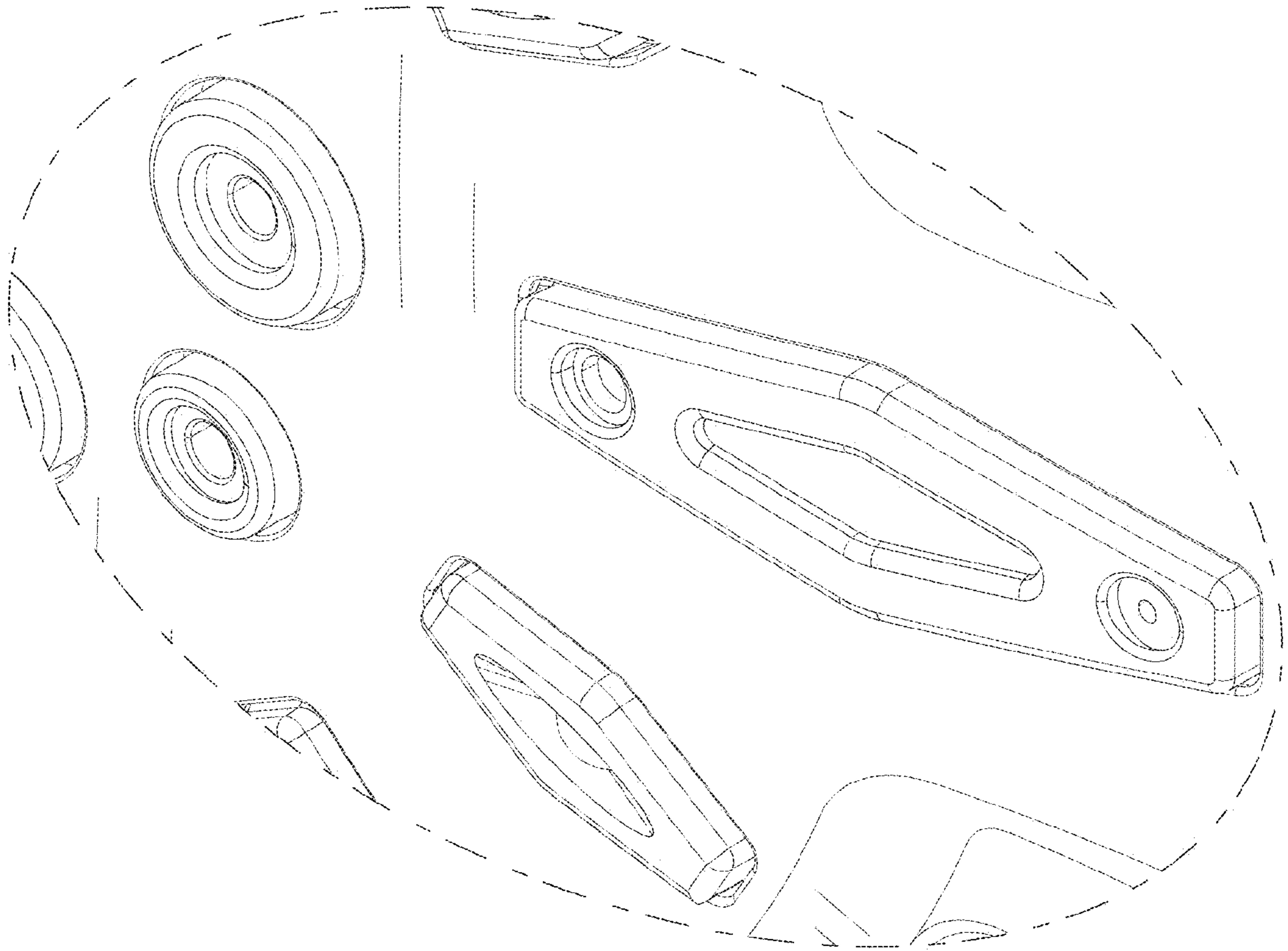


FIG. 9

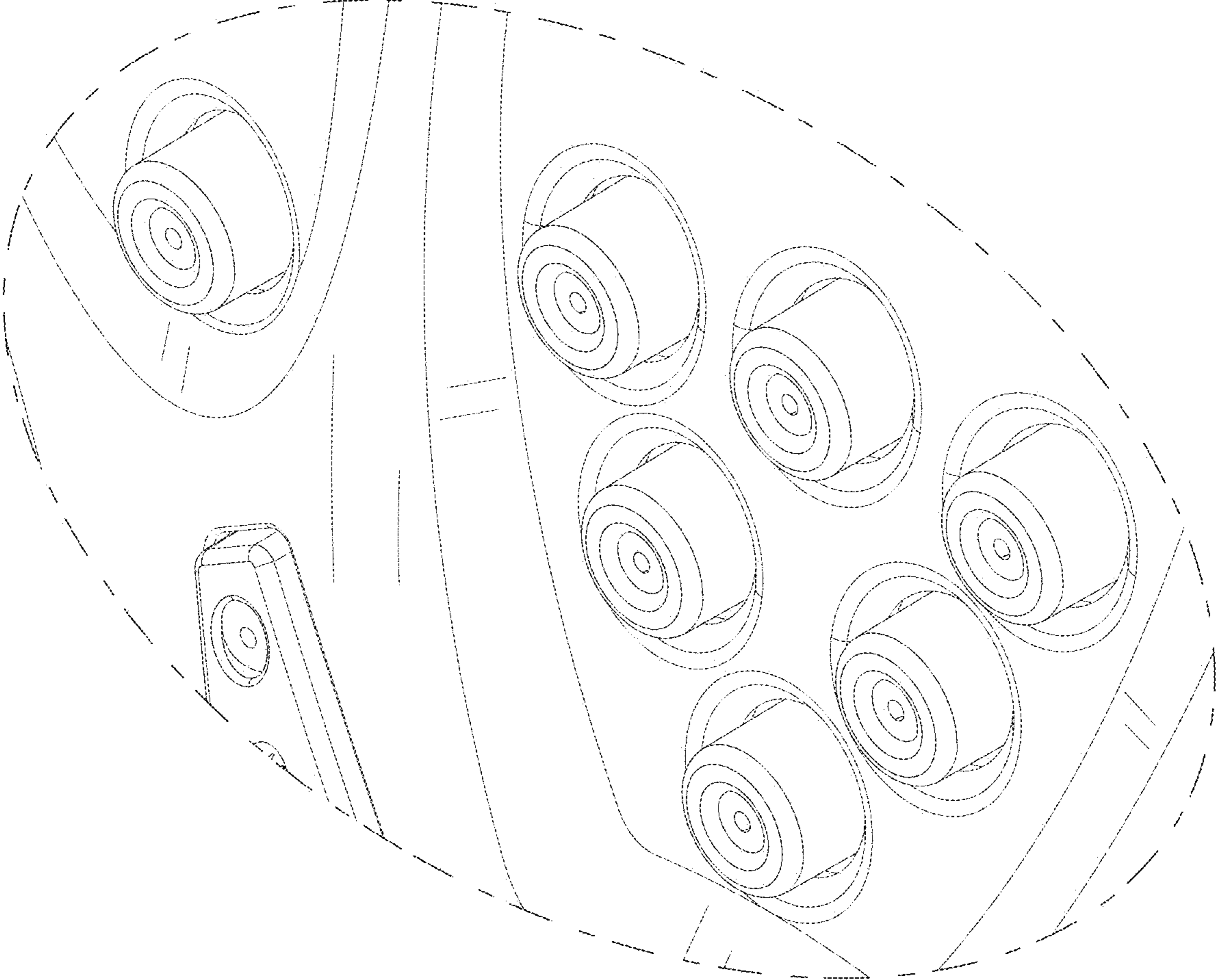


FIG. 10