



US00D982711S

(12) **United States Design Patent** (10) **Patent No.:** **US D982,711 S**  
**Mazz et al.** (45) **Date of Patent:** **\*\* Apr. 4, 2023**

(54) **SHOWERHEAD**

amazon.ca/Bathroom-Blockage-Prevention-Self-cleaning-Extension/  
dp/B09NBVPFDM/ (Year: 2022).\*

(71) Applicant: **Kohler Co.**, Kohler, WI (US)

(Continued)

(72) Inventors: **Margaret C. Mazz**, Atlanta, GA (US);  
**Bojian Han**, Pasadena, CA (US);  
**Gregory de Swarte**, Sheboygan, WI  
(US)

*Primary Examiner* — Keith J Wilson

(74) *Attorney, Agent, or Firm* — Foley & Lardner LLP

(73) Assignee: **KOHLER CO.**, Kohler, WI (US)

(57) **CLAIM**

(\*\*) Term: **15 Years**

We claim the ornamental design for a showerhead, as shown  
and described.

(21) Appl. No.: **29/839,419**

**DESCRIPTION**

(22) Filed: **May 20, 2022**

**Related U.S. Application Data**

(62) Division of application No. 29/694,183, filed on Jun.  
7, 2019, now Pat. No. Des. 960,295.

(51) **LOC (14) Cl.** ..... **23-01**

(52) **U.S. Cl.**  
USPC ..... **D23/213**

(58) **Field of Classification Search**  
USPC ..... D23/207, 213, 214, 215, 223, 224, 226,  
D23/229, 230

(Continued)

FIG. 1 is a perspective view of the claimed design;  
FIG. 2 is a front view of the claimed design shown in FIG.  
**1**;  
FIG. 3 is a rear view of the claimed design shown in FIG.  
**1**;  
FIG. 4 is a top view of the claimed design shown in FIG. 1;  
FIG. 5 is a bottom view of the claimed design shown in FIG.  
**1**;  
FIG. 6 is a side view of the claimed design shown in FIG.  
**1**; and,  
FIG. 7 is another side view of the claimed design shown in  
FIG. 1.

(56) **References Cited**

**U.S. PATENT DOCUMENTS**

3,893,628 A 7/1975 McCollum  
D347,262 S \* 5/1994 Black ..... D23/230

(Continued)

The ornamental design that is claimed is shown in the  
drawings as solid lines and surfaces having surface shading.  
The broken lines in the drawings are for illustrative purposes  
only and form no part of the claimed design. For example,  
broken lines formed by equal length dashes show unclaimed  
portions of the design. Broken lines formed of unequal  
length dashes (i.e., dash-dot) show boundaries between  
either claimed and unclaimed portions of the design or  
between unclaimed and unclaimed portions of the design.  
Break lines having a jagged element are not part of the  
claimed design and show unspecified lengths of the portion  
are possible. The appearance of any portion of the article  
between the break lines forms no part of the claimed design.

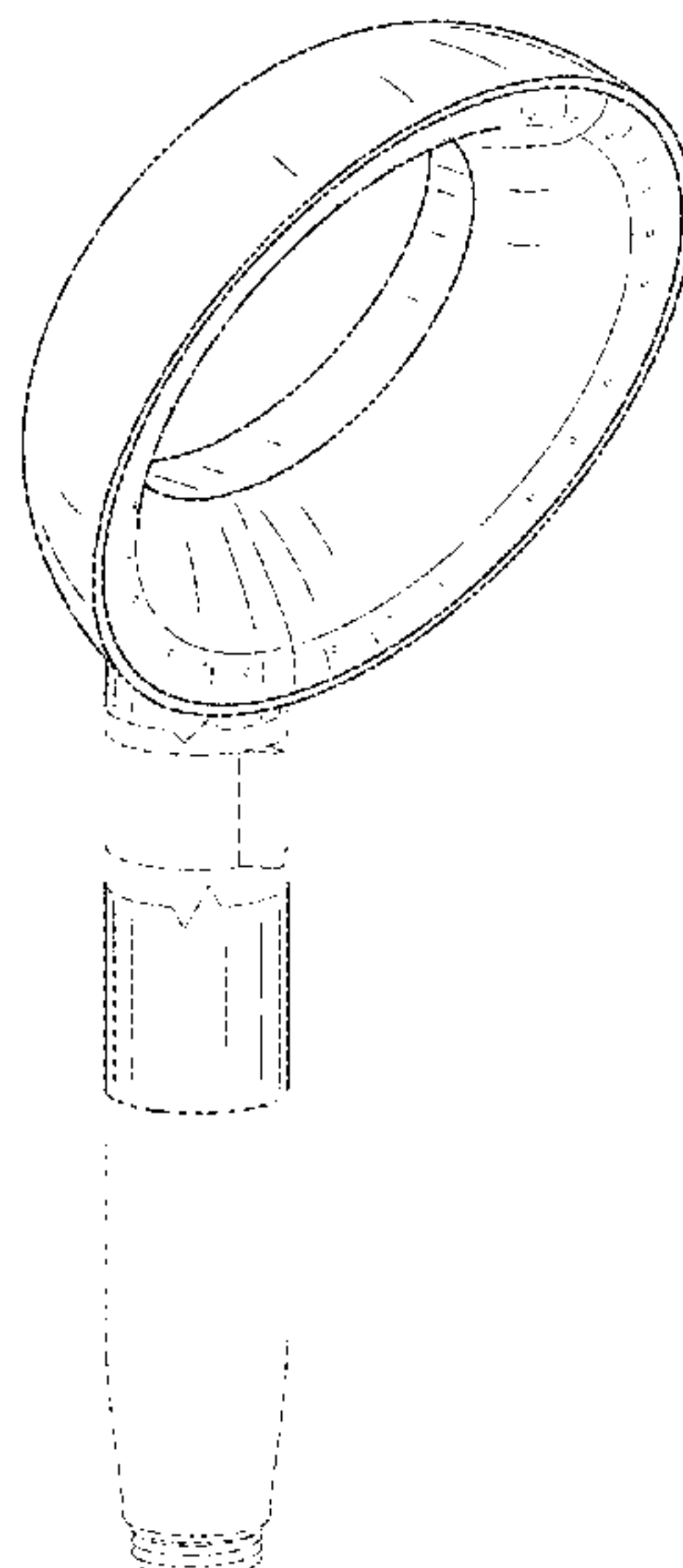
**FOREIGN PATENT DOCUMENTS**

EM 004557775-0003 1/2018

**OTHER PUBLICATIONS**

Shower and Bathroom Set, Blockage Prevention Self-cleaning  
Shower, Jan. 20, 2022, amazon.ca, Mar. 1, 2022, URL: <https://www>.

**1 Claim, 6 Drawing Sheets**



(58) **Field of Classification Search**

CPC ..... A61H 9/0021; A61H 33/00; B05B 1/00;  
 B05B 1/14; B05B 1/185; B05B 1/08;  
 B05B 1/02; B05B 1/26; B05B 12/002;  
 B05B 1/18; B05B 9/01

See application file for complete search history.

D932,591 S \* 10/2021 Thun ..... D23/223  
 D943,060 S \* 2/2022 Fan ..... D23/213  
 D943,062 S \* 2/2022 Fan ..... D23/223  
 D943,709 S \* 2/2022 Cocks ..... D23/223  
 D944,923 S \* 3/2022 Yu ..... D23/223  
 2015/0048184 A1 2/2015 McCutcheon  
 2022/0038802 A1 \* 2/2022 Hanna ..... E03C 1/0408  
 2022/0040713 A1 \* 2/2022 Mock ..... B05B 15/65

(56) **References Cited**

U.S. PATENT DOCUMENTS

6,557,785 B1 5/2003 Knapp  
 D498,514 S 11/2004 Haug et al.  
 D512,120 S 11/2005 Haug et al.  
 D513,525 S 1/2006 Haug et al.  
 D519,187 S 4/2006 Tse  
 D564,066 S 3/2008 Lammel  
 D565,703 S 4/2008 Lammel et al.  
 D566,231 S 4/2008 Lammel et al.  
 D607,971 S 1/2010 Barnard et al.  
 7,837,133 B2 11/2010 Zhou  
 7,900,295 B2 3/2011 Lev  
 D668,320 S \* 10/2012 Weihreter ..... D23/223  
 D672,432 S 12/2012 Spangler  
 D674,041 S 1/2013 Hanus  
 D675,711 S 2/2013 Chibitty  
 D687,924 S 8/2013 Newson  
 D697,177 S 1/2014 Schoenherr et al.  
 D751,667 S \* 3/2016 Bahler ..... D23/213  
 D760,348 S 6/2016 McCutcheon et al.  
 D761,935 S 7/2016 McCutcheon et al.  
 D810,233 S \* 2/2018 Winter ..... D23/228  
 D810,234 S 2/2018 Winter  
 D832,398 S \* 10/2018 Lin ..... D23/223  
 D841,126 S 2/2019 Lai et al.  
 D855,759 S 8/2019 Winter et al.  
 D855,760 S 8/2019 Lee  
 D861,830 S 10/2019 Quinn et al.  
 D901,628 S \* 11/2020 Wu ..... D23/213

OTHER PUBLICATIONS

ABS Invisible Universal Shower Head for Bathroom, Sector High Pressure Handheld Shower Head Unique Hollow Ring, Sep. 9, 2019, amazon.ca, Mar. 1, 2022, URL: <https://www.amazon.ca/Invisible-Universal-Bathroom-Pressure-Handheld/dp/B07XNTPQDK/> (Year: 2019).\*

Ecocamel Orbit Shower Head, Apr. 14, 2009, rvupgradedstore.com, Mar. 1, 2022, URL: [https://www.rvupgradedstore.com/Ecocamel-Orbit-Shower-Head-p/orbit.htm?gclid=EAlalQobChMIII6JfbSI9glVgZ6zCh3krQymEAsYASABEglXuvD\\_BwE](https://www.rvupgradedstore.com/Ecocamel-Orbit-Shower-Head-p/orbit.htm?gclid=EAlalQobChMIII6JfbSI9glVgZ6zCh3krQymEAsYASABEglXuvD_BwE) (Year: 2009).\*

Graff G-8760-PC-T Ametis 16<sup>15</sup>/<sub>16</sub> Inch Ring Water, Mar. 3, 2017, kbauthority.com, Mar. 1, 2022, URL: <https://www.kbauthority.com/graff-g-8760-pc-t-ametis-16-15-16-inch-ring-water-feature-trim-polished-chrome.html?> (Year: 2022).\*

Handheld Showerhead High Pressure Full-Bodied Spray Spa, Aug. 10, 2021, amazon.ca, Dec. 16, 2022, URL: <https://www.amazon.ca/dp/B09C8PNQW6/> (Year: 2021).\*

Ecocamel Orbit Shower Head, Apr. 14, 2009, rvupgradedstore.com, Mar. 1, 2022, URL: <https://www.rvupgradedstore.com/Ecocamel-Orbit-Shower-Head-p/orbit> (Year: 2009).

Graff G-8760-PC-T Ametis 16<sup>15</sup>/<sub>16</sub> inch Ring Water, Mar. 3, 2017, kbauthority.com, Mar. 1, 2022, URL: <https://www.kbauthority.com/graff-g-8760-pc-t-ametis-16-15-16-inch-ring-water-feature-trim-polished-chrome> (Year: 2022).

Kohler 2016 Faucets Price Book; pp. 129-143 (15 pages).

\* cited by examiner

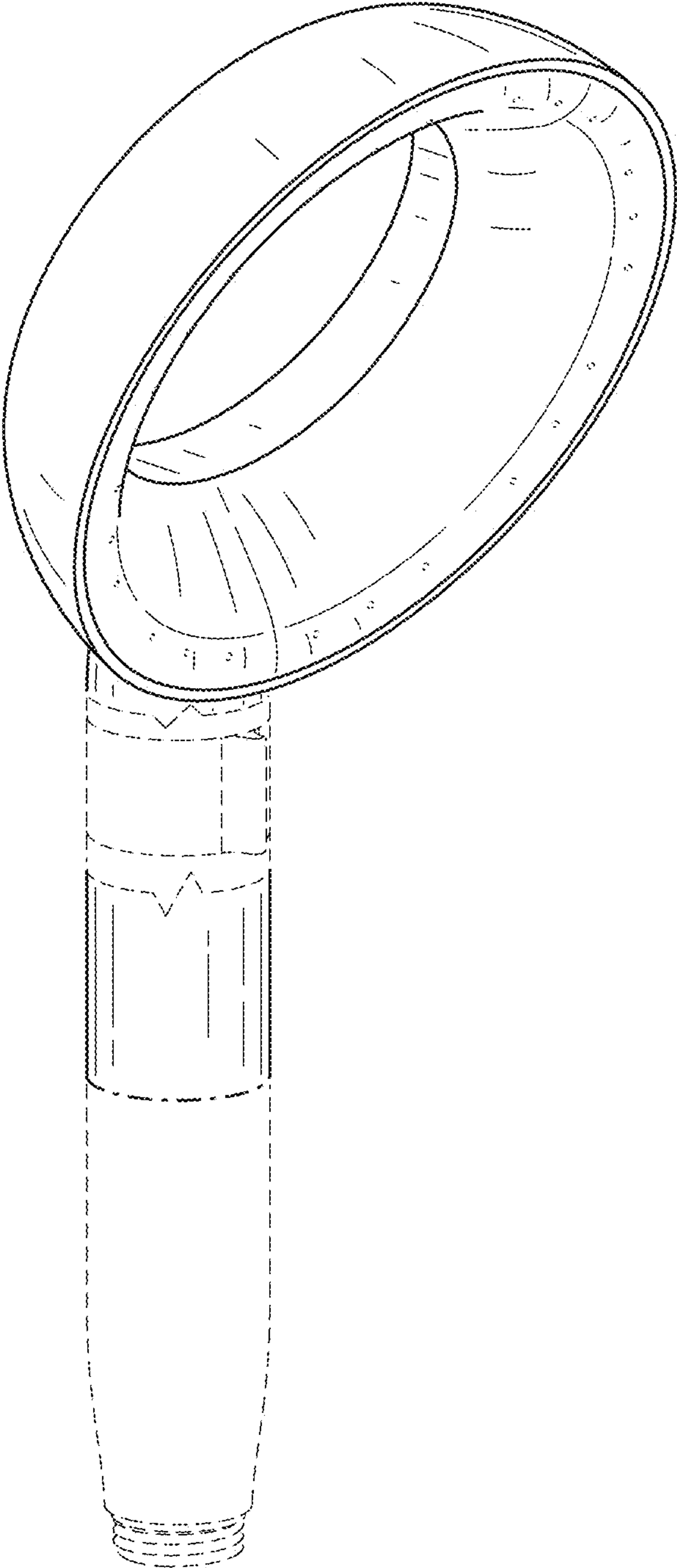


FIG. 1

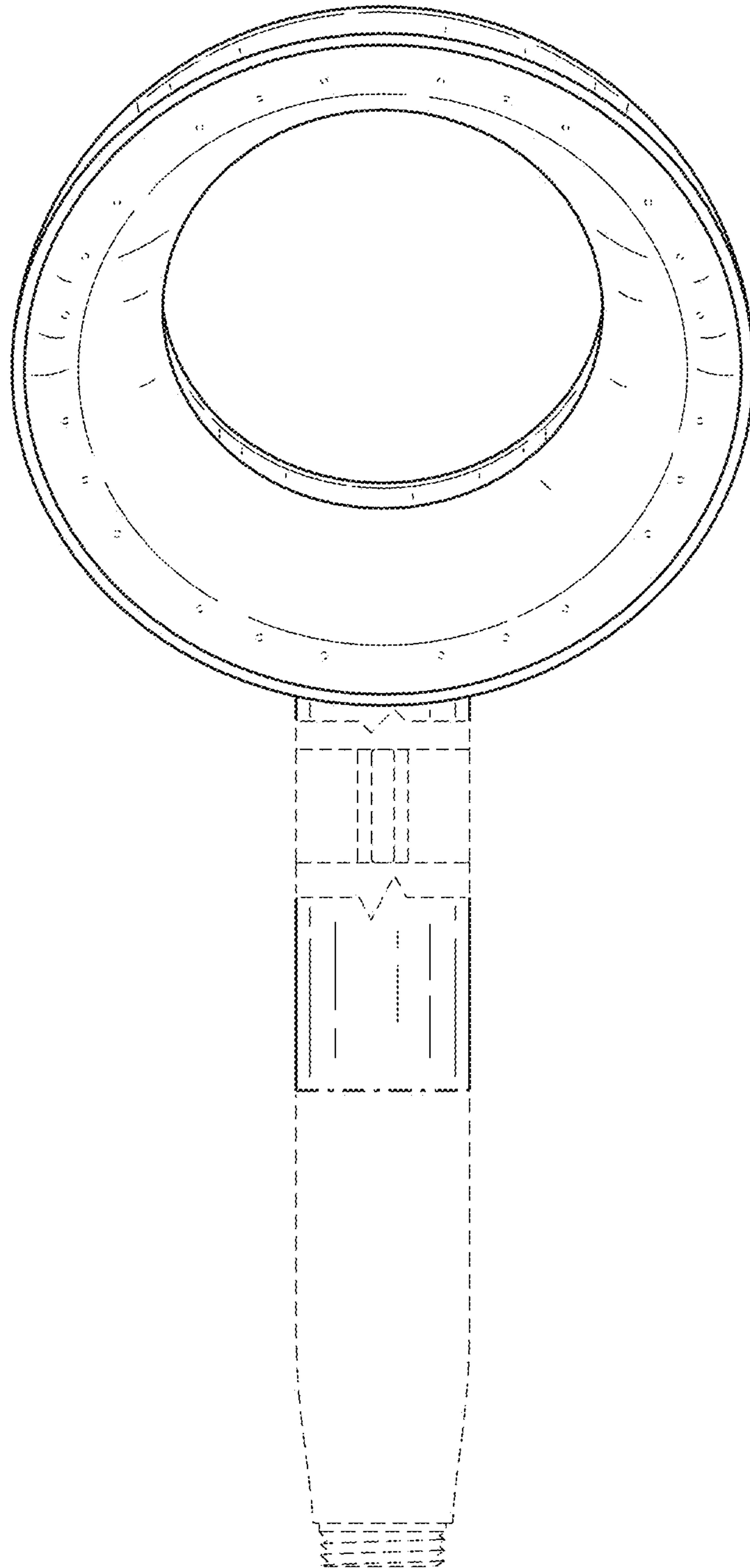


FIG. 2



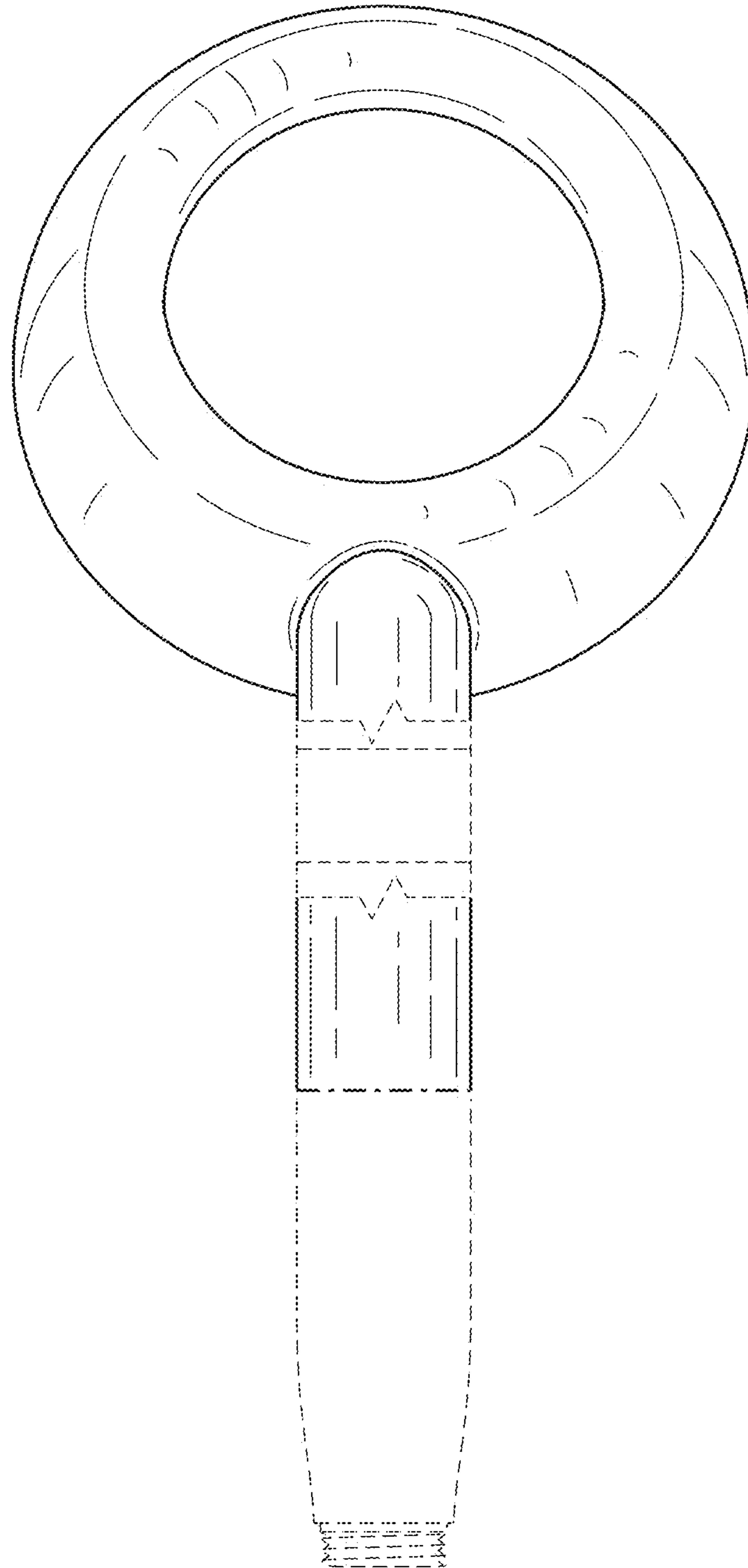


FIG. 3

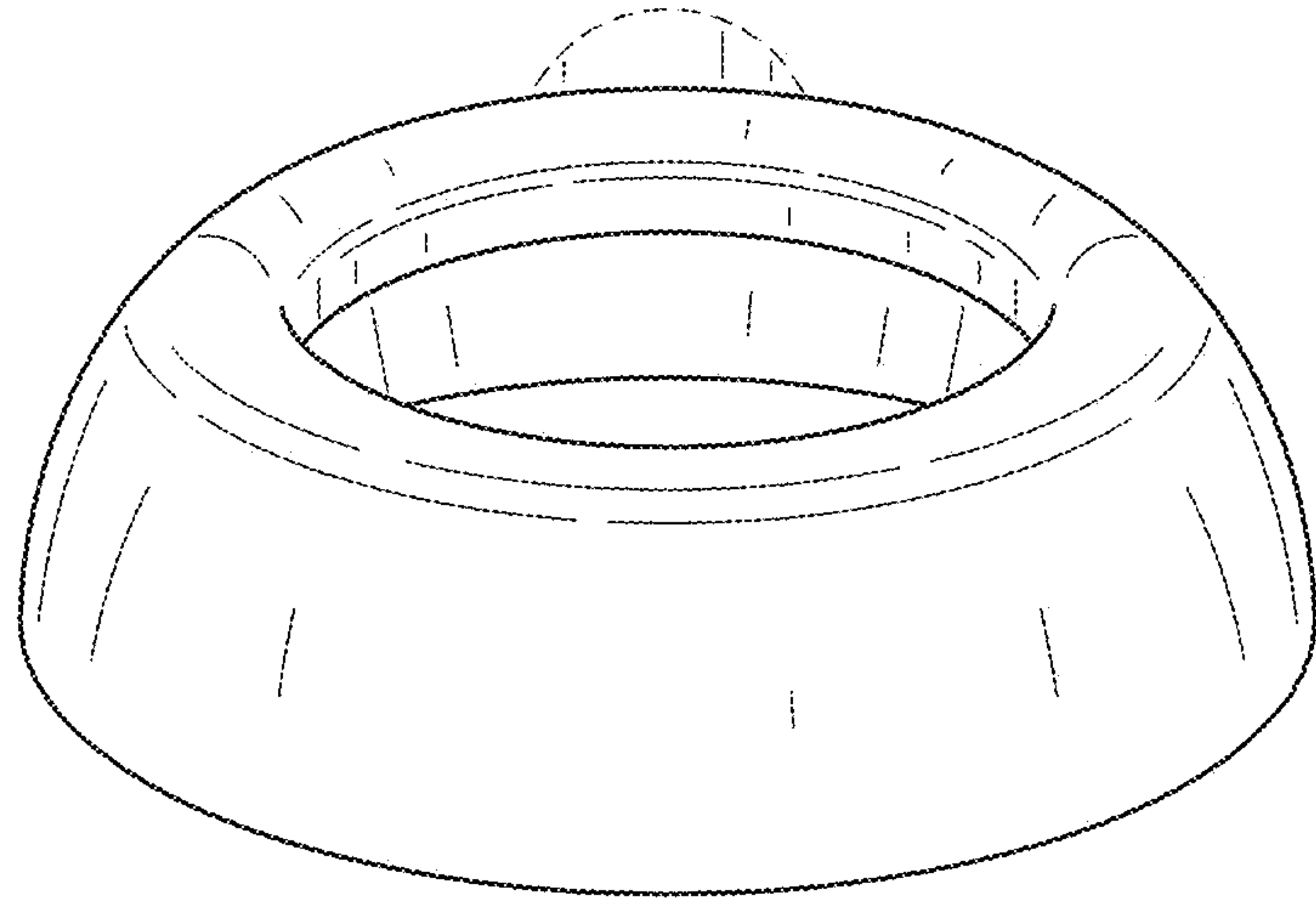


FIG. 4

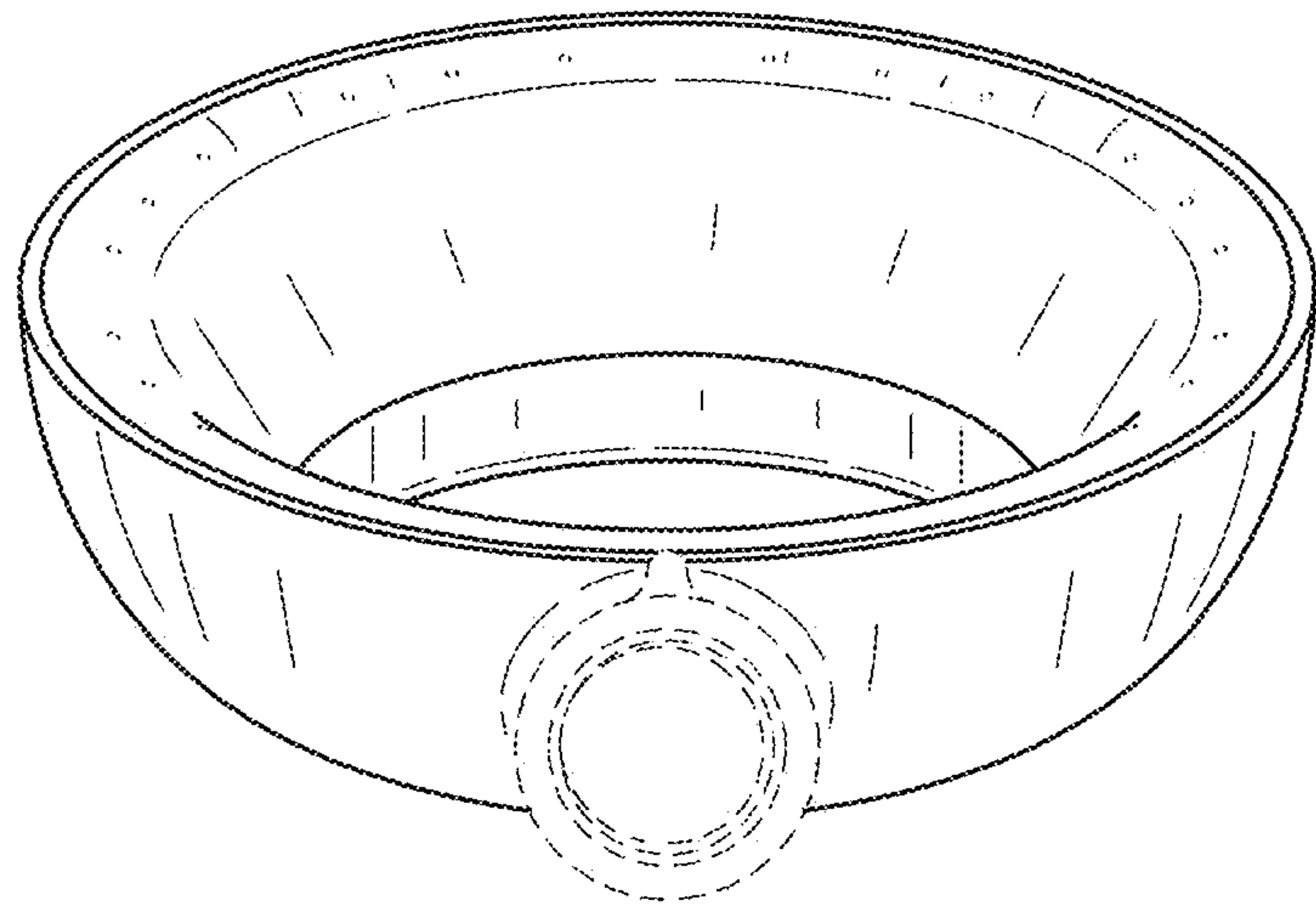


FIG. 5

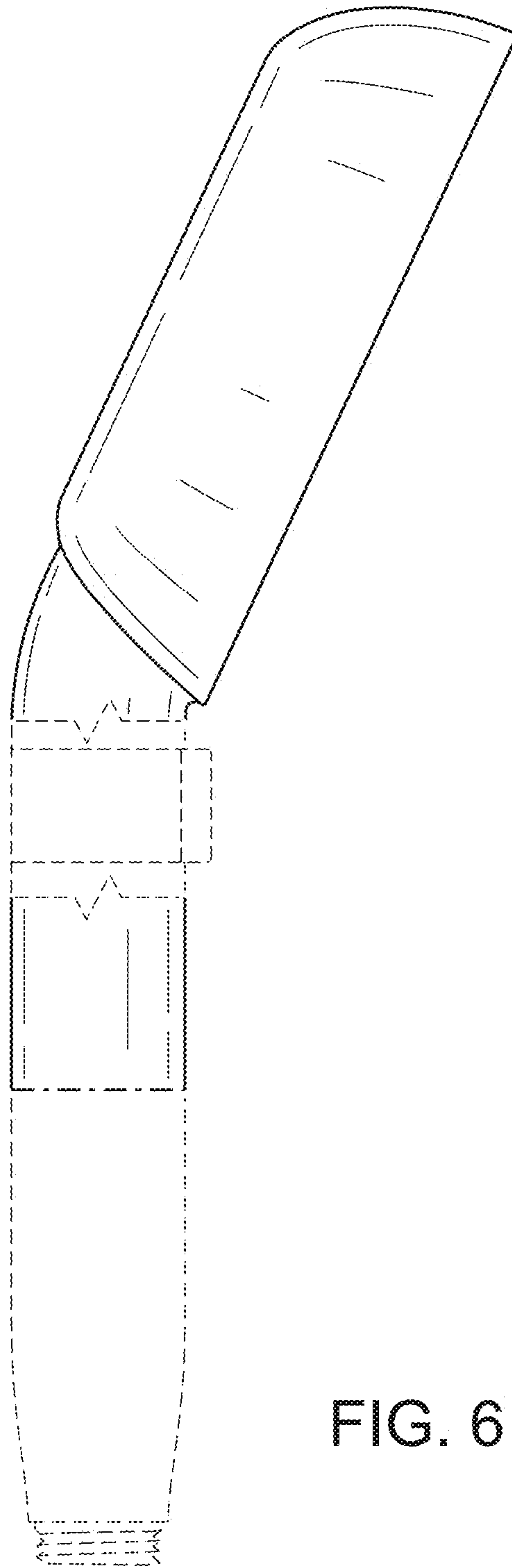


FIG. 6

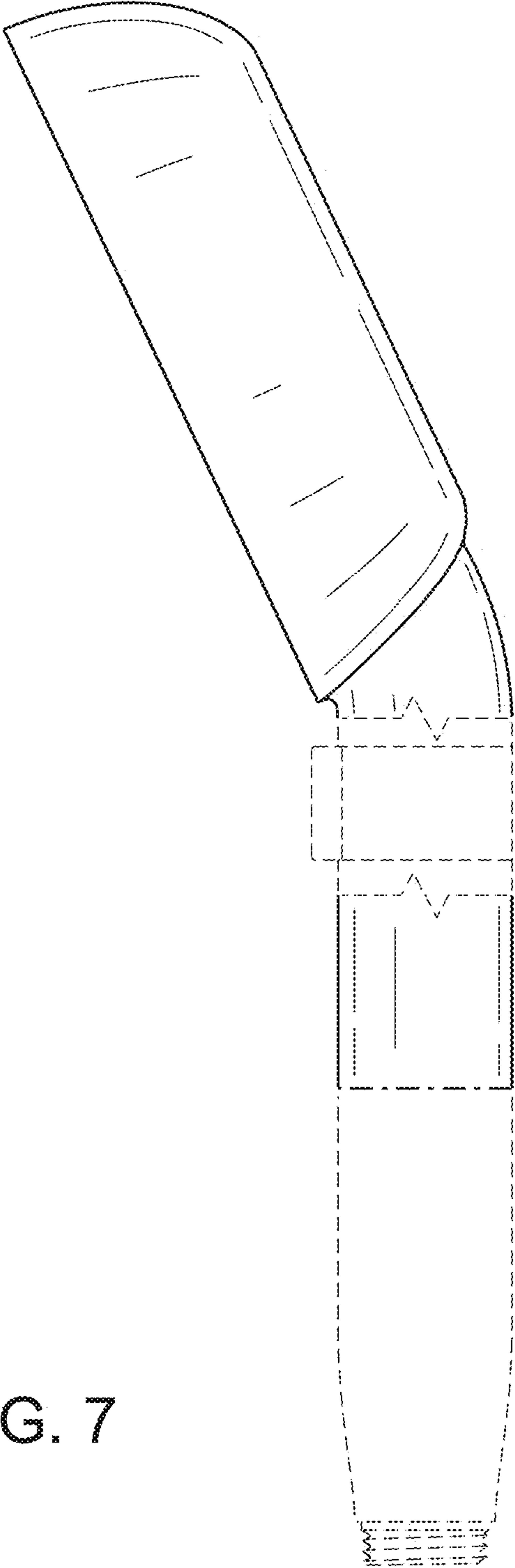


FIG. 7