



US00D982710S

(12) **United States Design Patent**  
**Puppa**

(10) **Patent No.:** **US D982,710 S**

(45) **Date of Patent:** **\*\* Apr. 4, 2023**

(54) **HAND WASH STATION**

(71) Applicant: **Joseph Puppa**, West Islip, NY (US)

(72) Inventor: **Joseph Puppa**, West Islip, NY (US)

(\*\*) Term: **15 Years**

(21) Appl. No.: **29/652,401**

(22) Filed: **Aug. 6, 2020**

(51) **LOC (14) Cl.** ..... **23-01**

(52) **U.S. Cl.**

USPC ..... **D23/207**; D23/208; D32/53; D7/313

(58) **Field of Classification Search**

USPC ..... D23/200–209, 225–226, 240, 250, 301,  
D23/313; D7/300, 307–313, 318, 322;  
D32/53–53.1

CPC ..... A47K 5/1202; A47K 1/02; A47K 1/08;  
A47K 10/32; F25D 17/065; F25D  
2317/061; F25D 2323/02

See application file for complete search history.

(56) **References Cited**

**U.S. PATENT DOCUMENTS**

D352,143 S *	11/1994	Arshinoff	.....	D32/53
D358,289 S *	5/1995	Thies	.....	A47K 5/1202
				D7/313
D358,632 S *	5/1995	Swick	.....	D23/207
D377,515 S *	1/1997	Hembree	.....	D23/209
D380,641 S *	7/1997	Randle	.....	D7/313
D402,986 S *	12/1998	Doak	.....	D14/196
D590,561 S *	4/2009	Baltz	.....	D32/53
D603,575 S *	11/2009	Kerman	.....	D32/53
D610,856 S *	3/2010	Hoffman	.....	D7/306
D649,726 S *	11/2011	Manuel	.....	D32/53
D652,596 S *	1/2012	Manuel	.....	D32/53
D715,011 S *	10/2014	Gallardo	.....	D32/54
D722,474 S *	2/2015	Seiders	.....	D7/605
D726,984 S *	4/2015	Lewison	.....	D32/53

D775,712 S *	1/2017	Kim	.....	D7/605
D803,349 S *	11/2017	Zou	.....	A47K 5/1202
				D32/53
D840,736 S *	2/2019	Petruzzi	.....	D32/53

(Continued)

**OTHER PUBLICATIONS**

On the Spot Hand Wash Station Aug. 7, 2020 found on Jan. 6, 2023 at: <https://www.amazon.com/Station-portable-compact-dispenser-construction/dp/B08DP55DYQ/> (Year: 2020).\*

(Continued)

*Primary Examiner* — Jennifer Rivard

*Assistant Examiner* — Jonathan E Fiencke

(74) *Attorney, Agent, or Firm* — Dunlap Bennett & Ludwig, PLLC

(57) **CLAIM**

The ornamental design for a hand wash station, as shown and described.

**DESCRIPTION**

FIG. 1 is a front perspective view of the hand wash station showing my new design;

FIG. 2 is a front elevation view thereof;

FIG. 3 is a rear elevation view thereof;

FIG. 4 is a left side elevation view thereof;

FIG. 5 is a right-side elevation view thereof;

FIG. 6 is a top plan view thereof;

FIG. 7 is bottom plan view thereof;

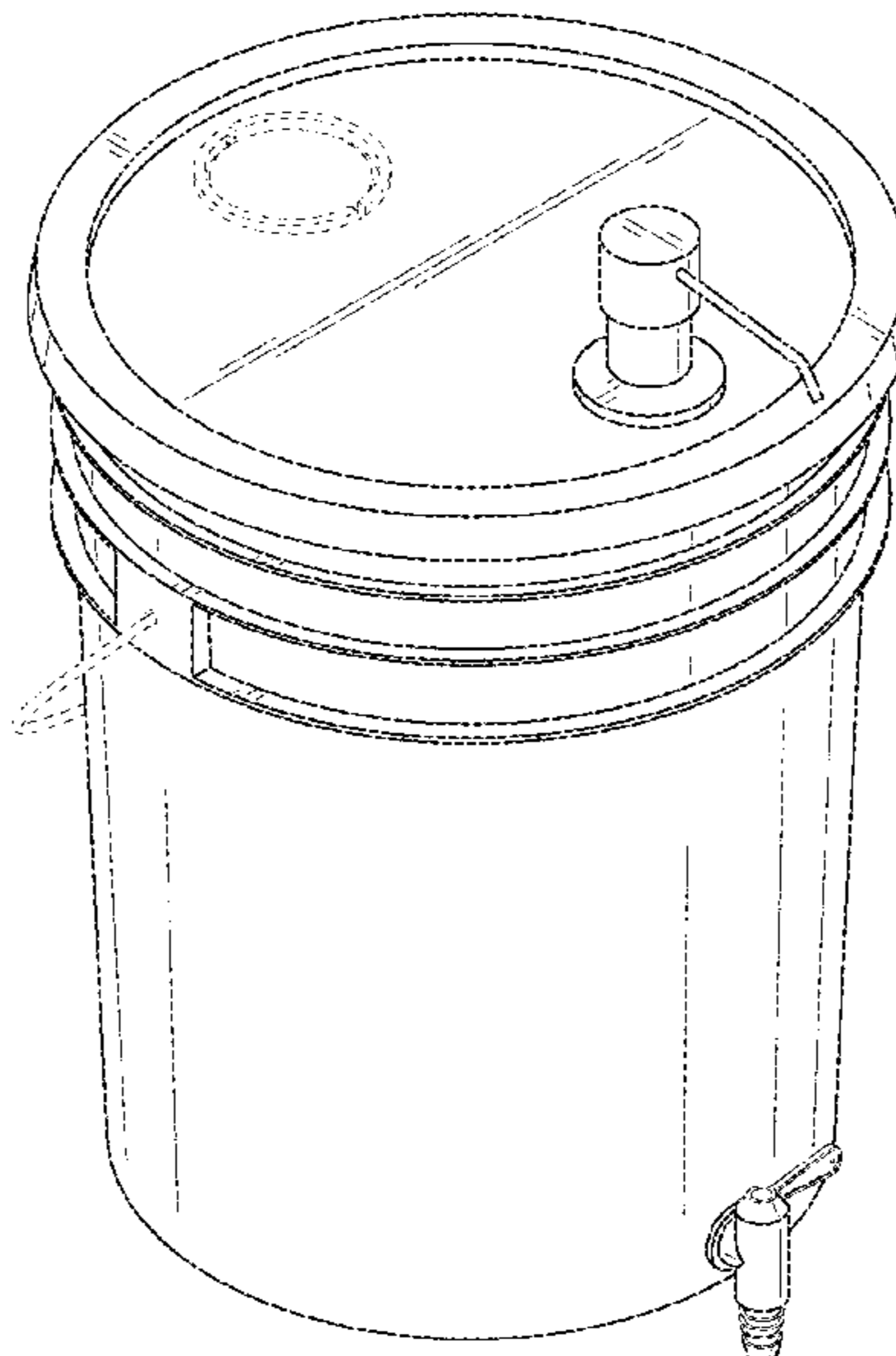
FIG. 8 is an exploded perspective view thereof; and,

FIG. 9 is a front perspective view of the second embodiment of the hand wash station, showing the hand wash station lined for the color blue.

The broken lines in the drawings depict portions of the hand wash station that form no part of the claimed design. The dot dash dot broken lines in FIG. 7 denote the boundary of the claim and form no part of thereof.

The horizontal lines in FIG. 9 represent the appearance of a blue bucket of the hand wash station.

**1 Claim, 6 Drawing Sheets**



(56)

**References Cited**

U.S. PATENT DOCUMENTS

D843,766 S \* 3/2019 Murray ..... D7/605  
D896,341 S \* 9/2020 Zou ..... D32/53  
D902,964 S \* 11/2020 Lozano ..... D32/53  
11,540,671 B2 \* 1/2023 Schomburg ..... A47K 5/1202  
D32/53  
2021/0401235 A1 \* 12/2021 Schomburg ..... A47K 5/1202  
D32/53

OTHER PUBLICATIONS

Premium White 5 Gallon Tamco Modified Bucket with Spigot  
(n.d.). Retrieved Aug. 5, 2020, from [https://www.usplastic.com/  
catalog/item.aspx?itemid=135719](https://www.usplastic.com/catalog/item.aspx?itemid=135719).

\* cited by examiner

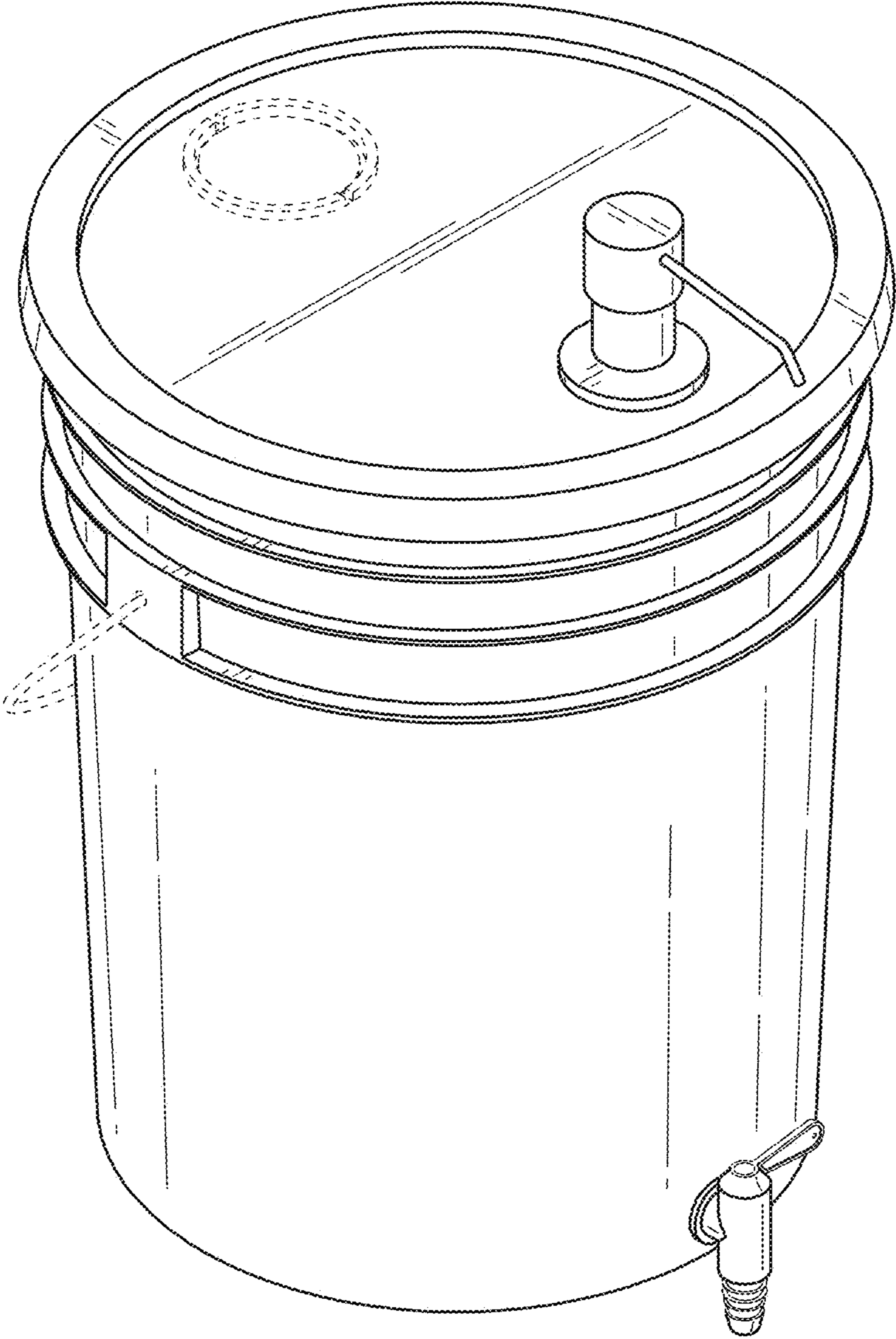


FIG. 1

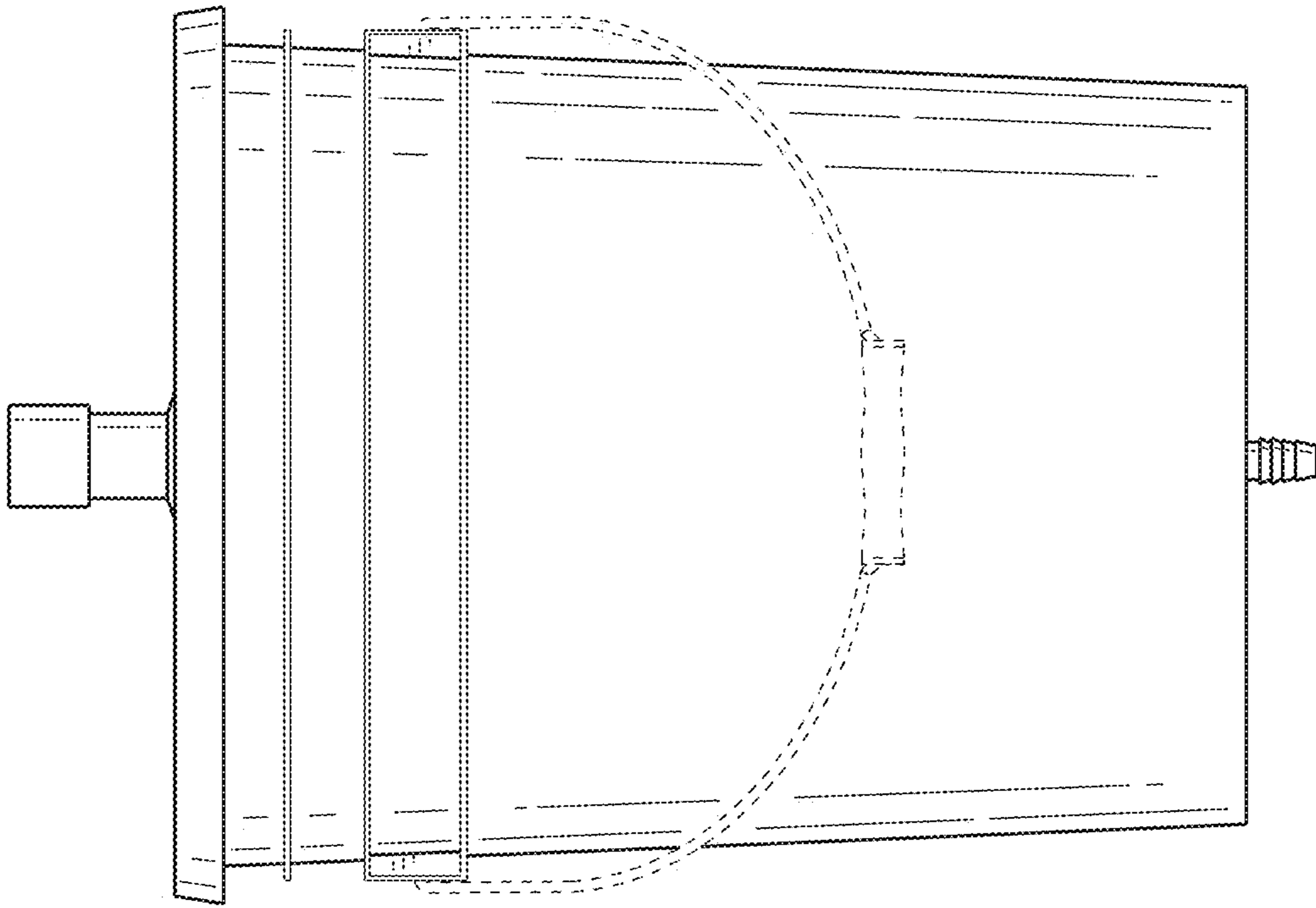


FIG. 3

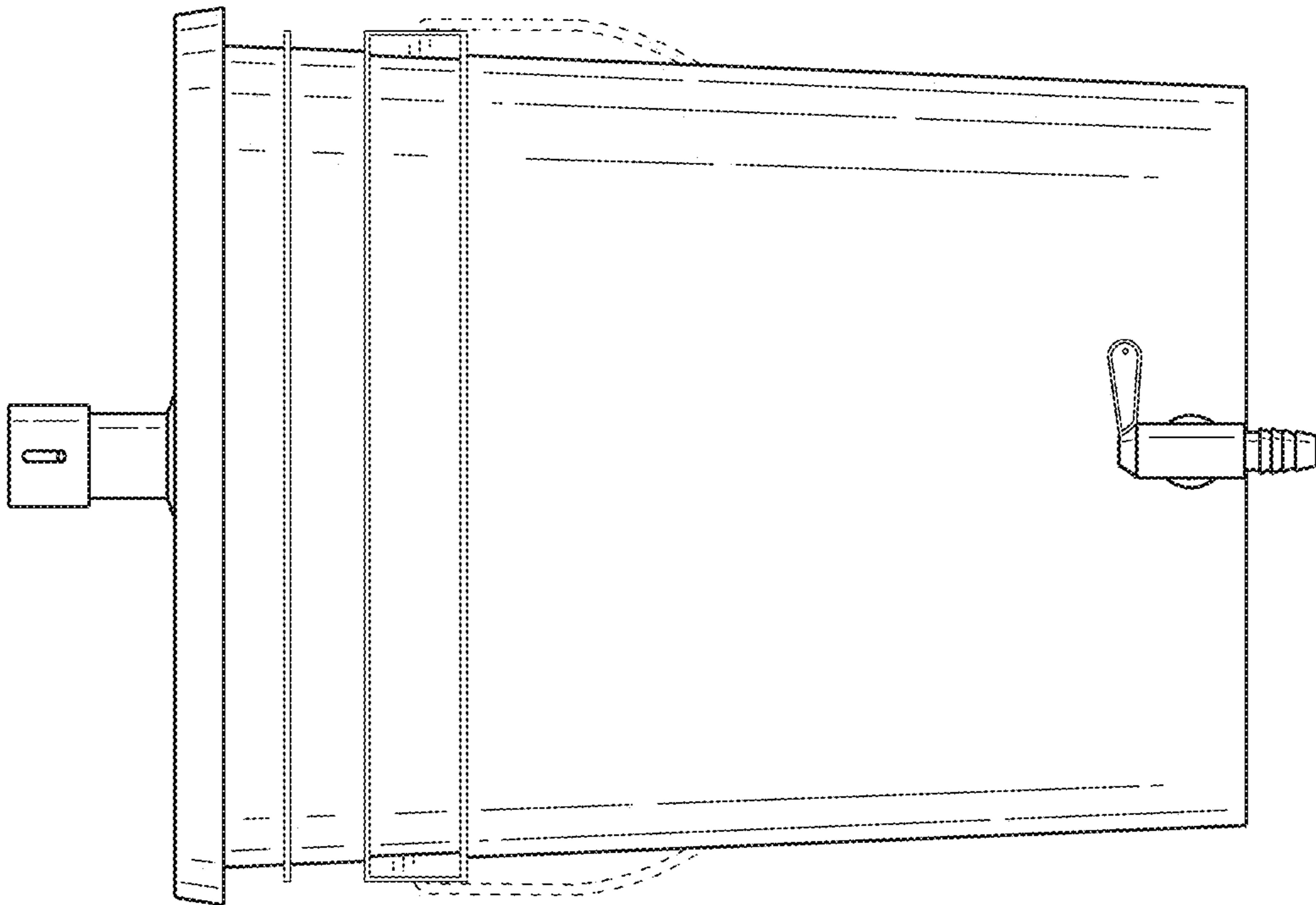


FIG. 2

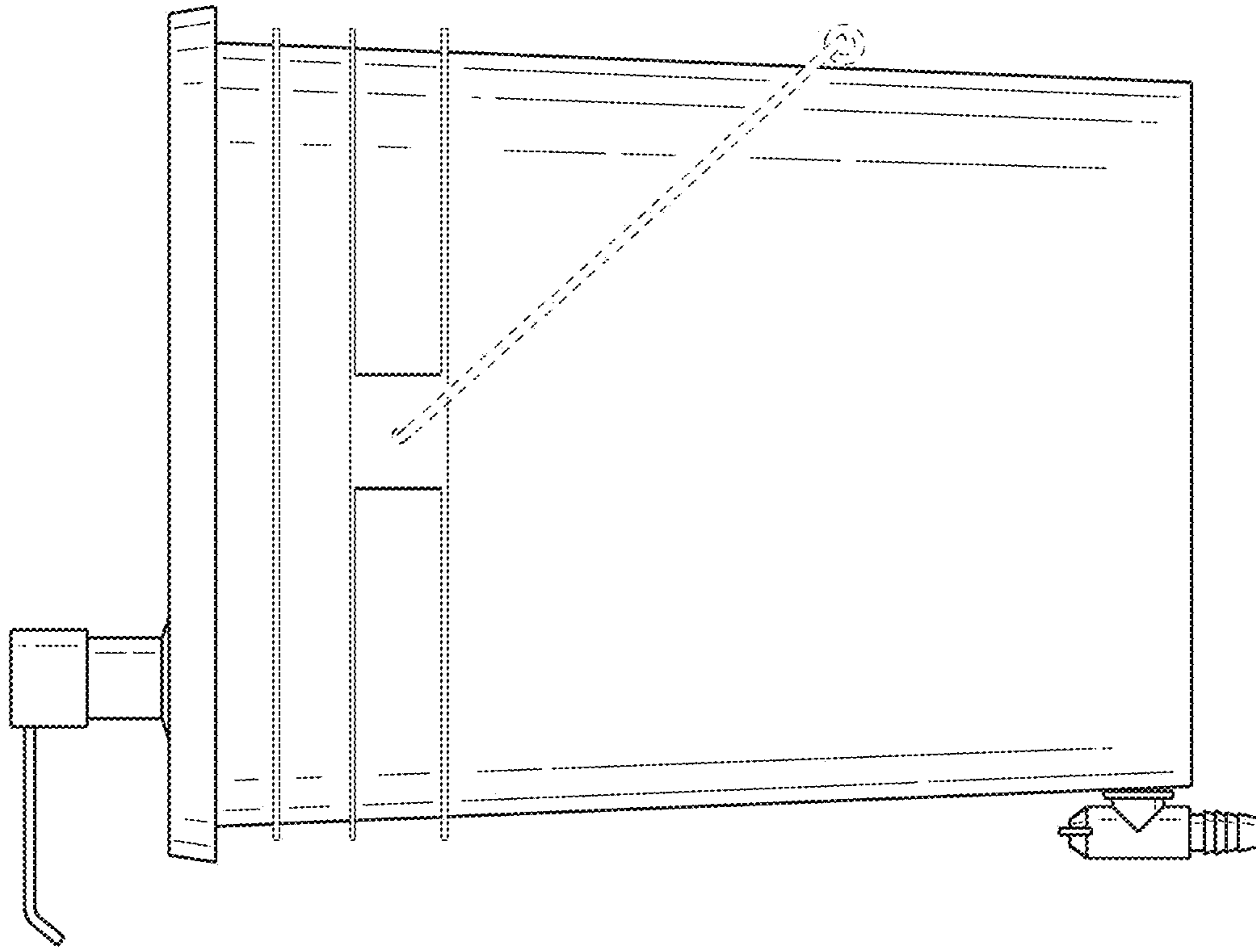


FIG. 5

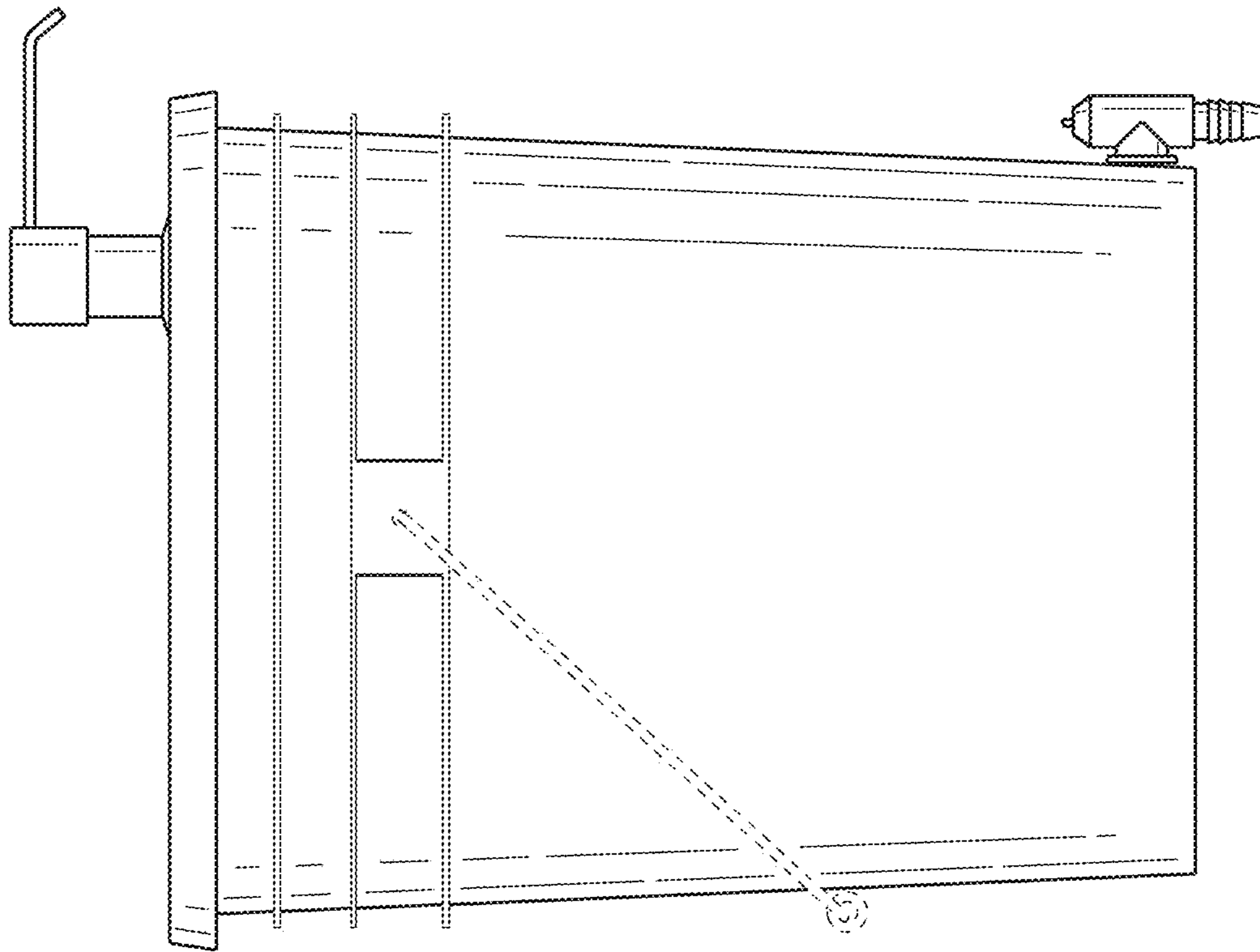


FIG. 4

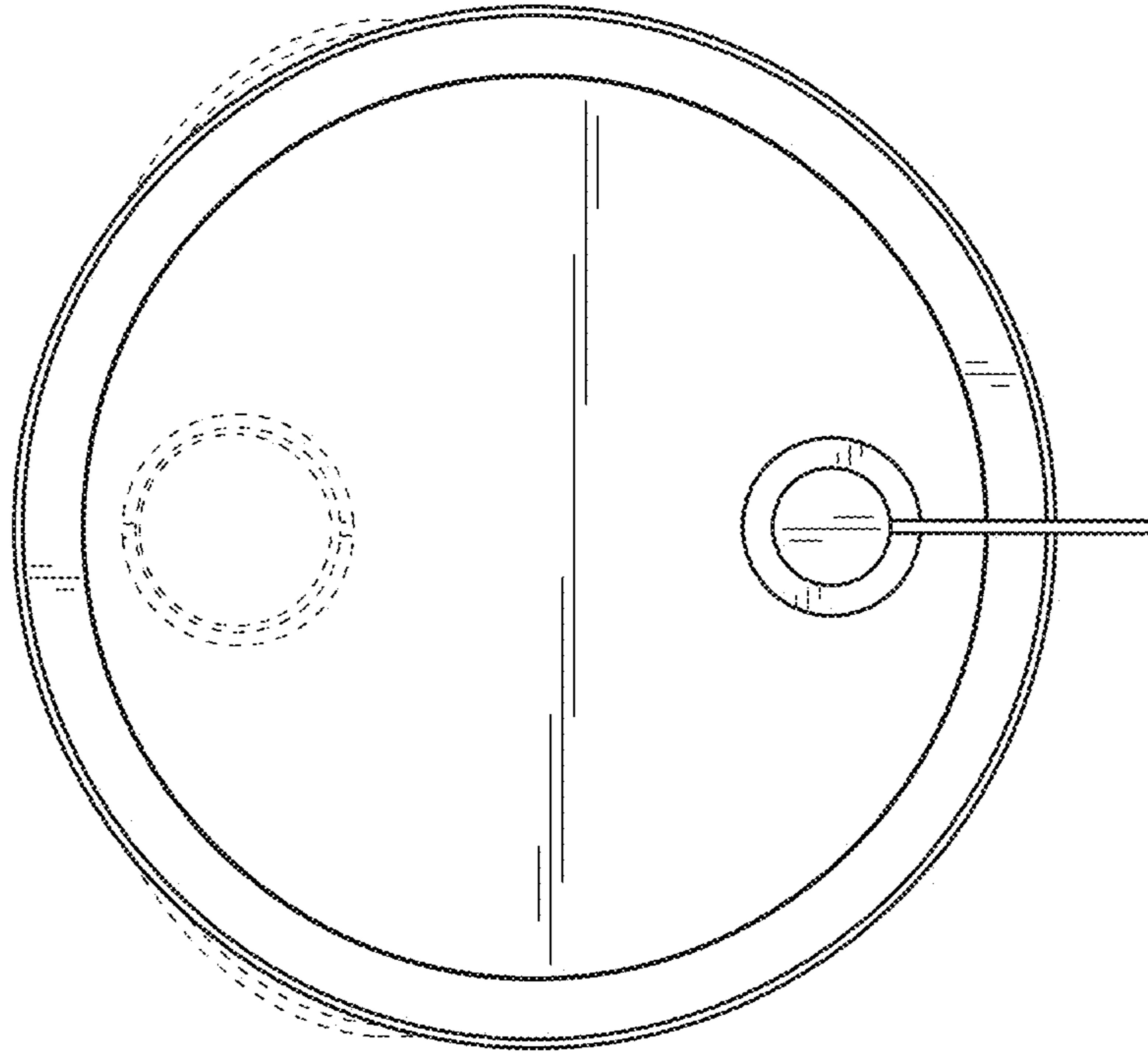


FIG. 6

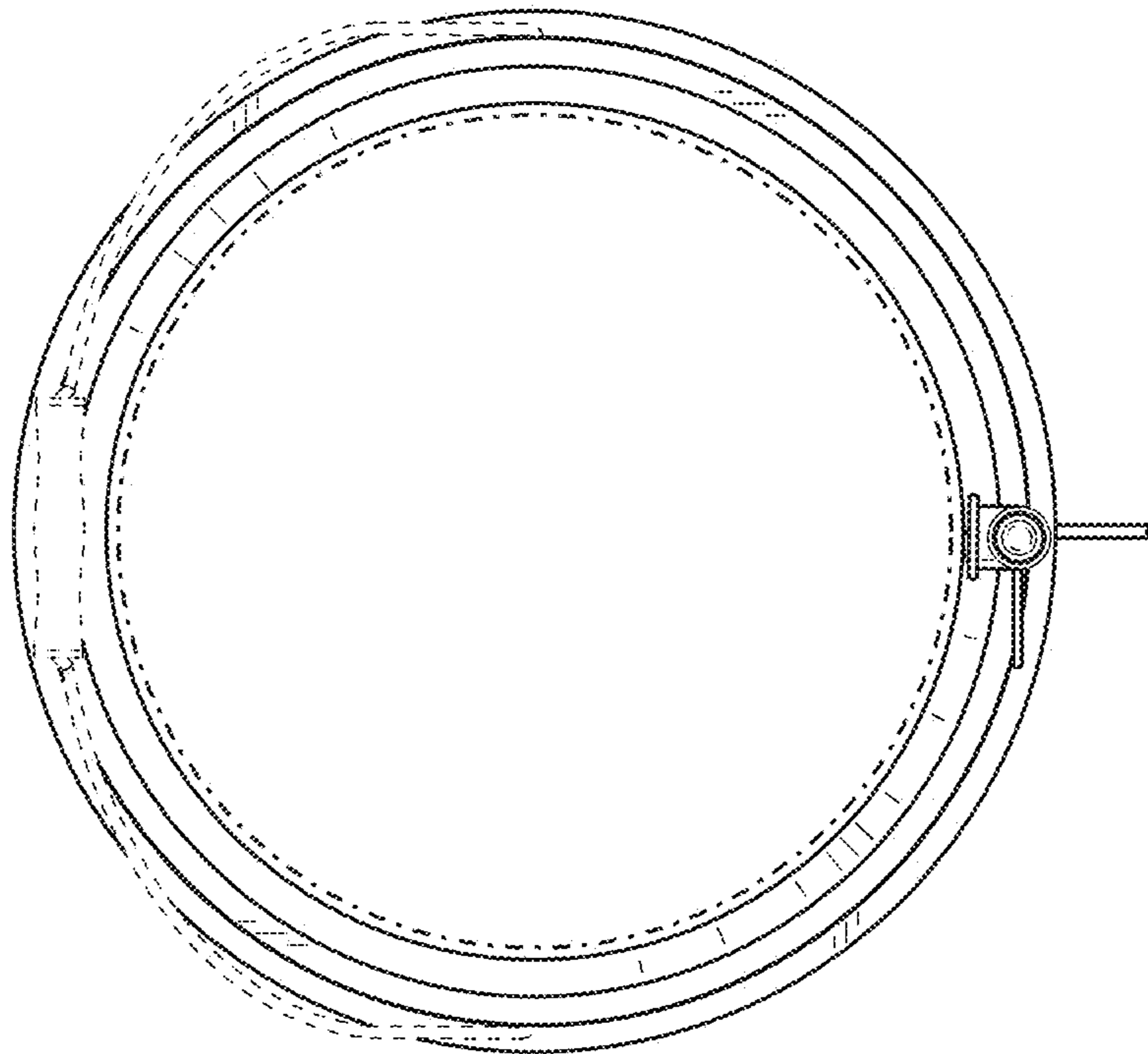
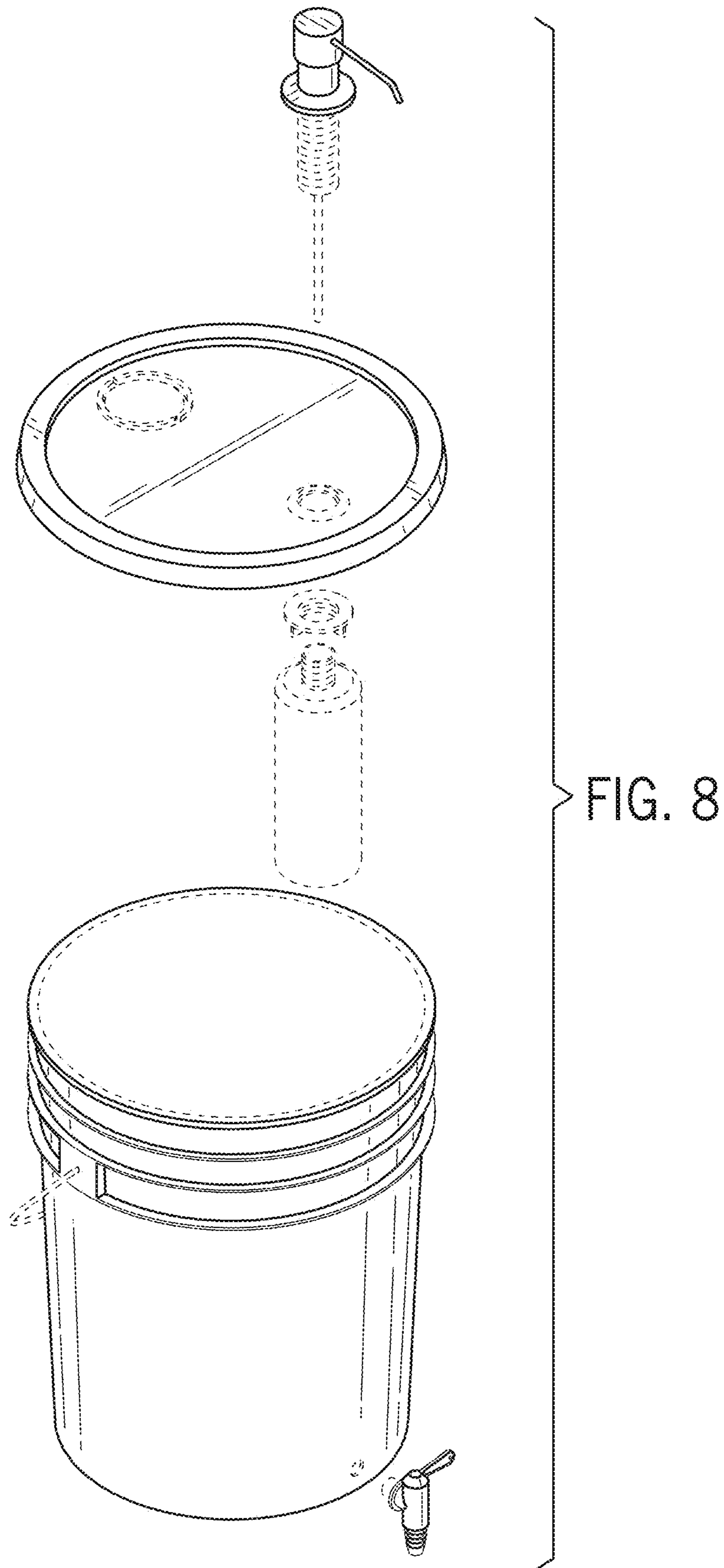


FIG. 7



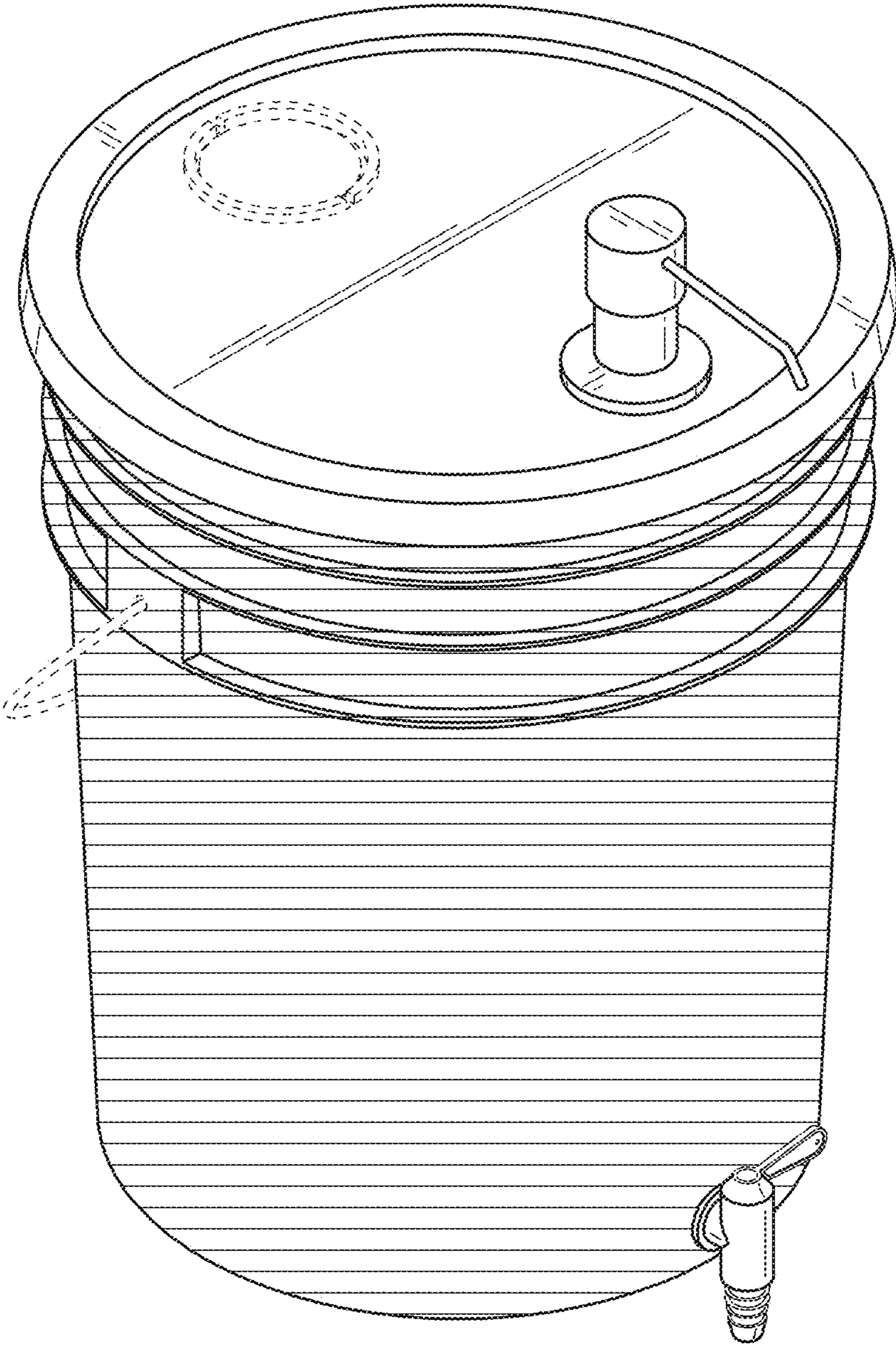


FIG. 9