



US00D982709S

(12) **United States Design Patent** (10) **Patent No.:** **US D982,709 S**
Zhu (45) **Date of Patent:** **** Apr. 4, 2023**

(54) **FOUNTAIN** D815,300 S * 4/2018 Lin F16B 7/0446
D8/382
(71) Applicant: **XIAMEN TONGBAOHUI TRADING** D856,605 S 8/2019 He et al.
CO., LIMITED, Xiamen (CN) D928,423 S 8/2021 Tao
D930,802 S * 9/2021 Huang D23/363
D931,551 S 9/2021 Xiao
(72) Inventor: **Haojie Zhu, Zhangzhou (CN)** D945,871 S * 3/2022 MacDonald D8/382
D946,129 S * 3/2022 Luo D23/249
D959,617 S * 8/2022 Meng D23/262
(**) Term: **15 Years** 11,459,781 B2 * 10/2022 Huang E04H 4/0056
2009/0194993 A1 * 8/2009 Tong F16L 41/03
285/125.1

(Continued)

(22) Filed: **Jul. 11, 2022**
(51) **LOC (14) Cl.** **23-01**
(52) **U.S. Cl.**
USPC **D23/201; D23/263**
(58) **Field of Classification Search**
USPC D23/200, 201, 213, 214, 223, 226, 228,
D23/229, 262, 263, 267; D8/382
CPC B05B 1/18; B05B 1/044; B05B 1/046;
B05B 17/08; B05B 17/085; F16L 41/021;
F16L 41/023
See application file for complete search history.

OTHER PUBLICATIONS

Klleyna Water-Fountain Dual Spray Swimming-Pool-Accessories,
Jan. 30, 2022, Amazon, site visited Oct. 18, 2022: <https://www.amazon.ca/dp/B09PYV8QKK/> (Year: 2022).*

(Continued)

Primary Examiner — Jack Reickel
Assistant Examiner — Bobby W Jones, II
(74) *Attorney, Agent, or Firm* — Xiaofang Zhong

(56) **References Cited**
U.S. PATENT DOCUMENTS

1,933,711 A * 11/1933 Cornell, Jr. F16L 41/021
285/133.11
D249,276 S * 9/1978 Levin D23/263
4,936,506 A * 6/1990 Ryan E05E 17/08
239/18
D343,889 S * 2/1994 Stonecypher D23/263
5,509,148 A * 4/1996 Steele E03C 1/284
4/255.06
5,862,990 A * 1/1999 White B05B 17/085
239/289
D520,101 S * 5/2006 Mitjans D23/201
D590,042 S 4/2009 Hoskins
D606,387 S * 12/2009 Werschmidt D8/382
D630,305 S * 1/2011 Adams D23/259
D665,870 S 8/2012 Fang
D676,942 S * 2/2013 Kluss D23/262
D743,511 S * 11/2015 Bednarz D23/263

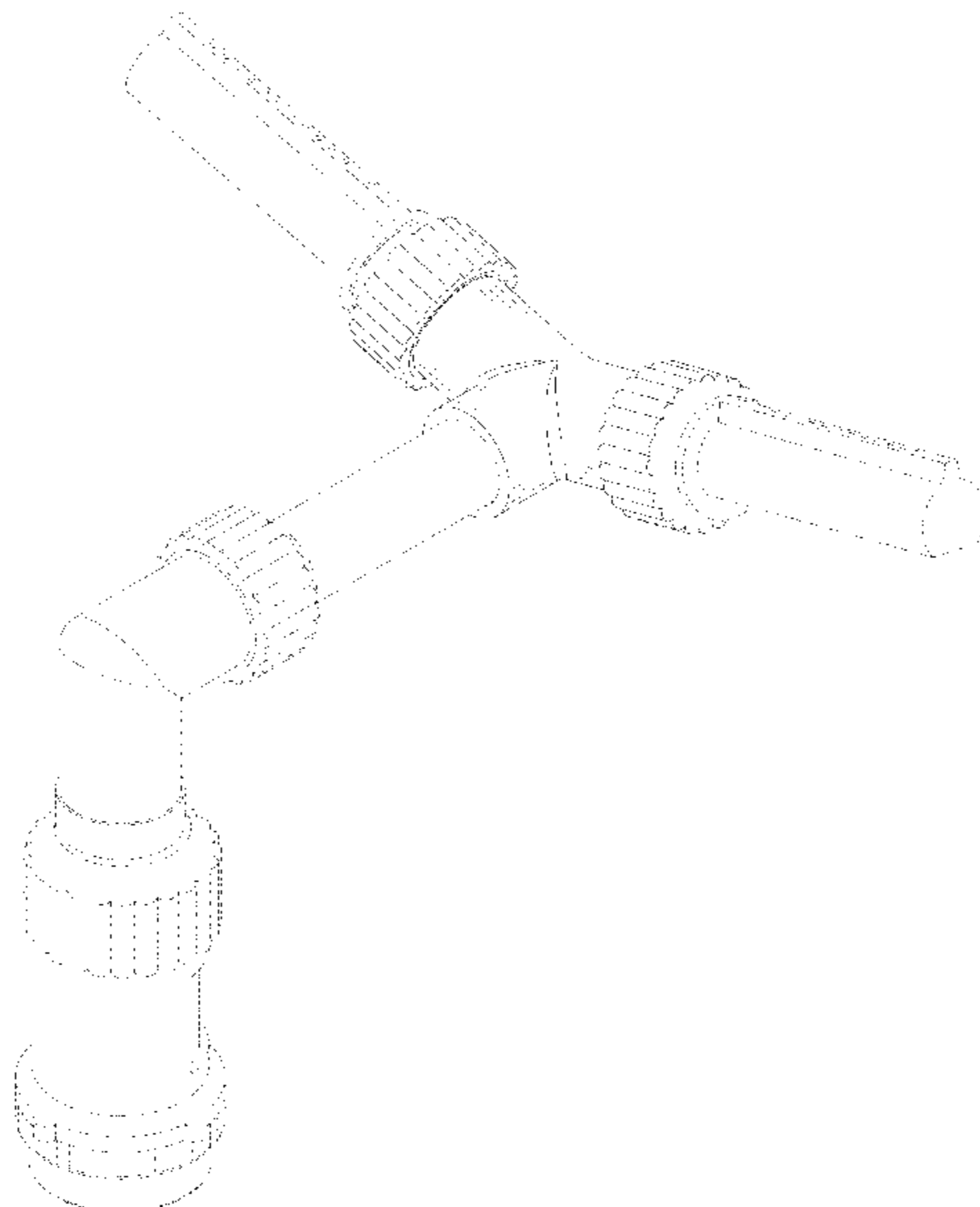
(57) **CLAIM**

The ornamental design for a fountain, as shown and described.

DESCRIPTION

FIG. 1 is a perspective view of a fountain showing my new design;
FIG. 2 is a front elevational view thereof;
FIG. 3 is a rear elevational view thereof;
FIG. 4 is a left view thereof;
FIG. 5 is a right view thereof;
FIG. 6 is a top plan view thereof; and,
FIG. 7 is a bottom plan view thereof.
The broken lines illustrate portions of the fountain that form no part of the claimed design.

1 Claim, 7 Drawing Sheets



(56)

References Cited

U.S. PATENT DOCUMENTS

2017/0218648 A1* 8/2017 Hsu B05B 1/1636
2022/0128184 A1* 4/2022 Hess F16L 41/021

OTHER PUBLICATIONS

Zconie Swimming Pool Waterfall Fountain Spray, Mar. 10, 2022, Amazon, site visited Oct. 18, 2022: <https://www.amazon.com/dp/B09PR52GMT/> (Year: 2022).*

Ketofa Swimming Pool and Spa Waterfall Fountain, Nov. 20, 2020, Amazon, site visited Oct. 18, 2022: <https://www.amazon.ca/dp/B08NXBD454/> (Year: 2020).*

Klleya, Klleya Water-Fountain Dual Spray Swimming-Pool-Accessories—Green Waterfall Cooler Above/Inground, Adjustable 2 in 1 Spray Nozzle, Pond Aerator for Circulation, Garden Sprinkle Feature Outdoor Decor, Applicant started the first sale of this product Mar. 10, 2022. Date on Jul. 11, 2022. The link of the sale: https://www.amazon.com/dp/B09PYV8QKK/ref=twister_B0B1Q8SHH4?_encoding=UTF8&psc=1.

* cited by examiner

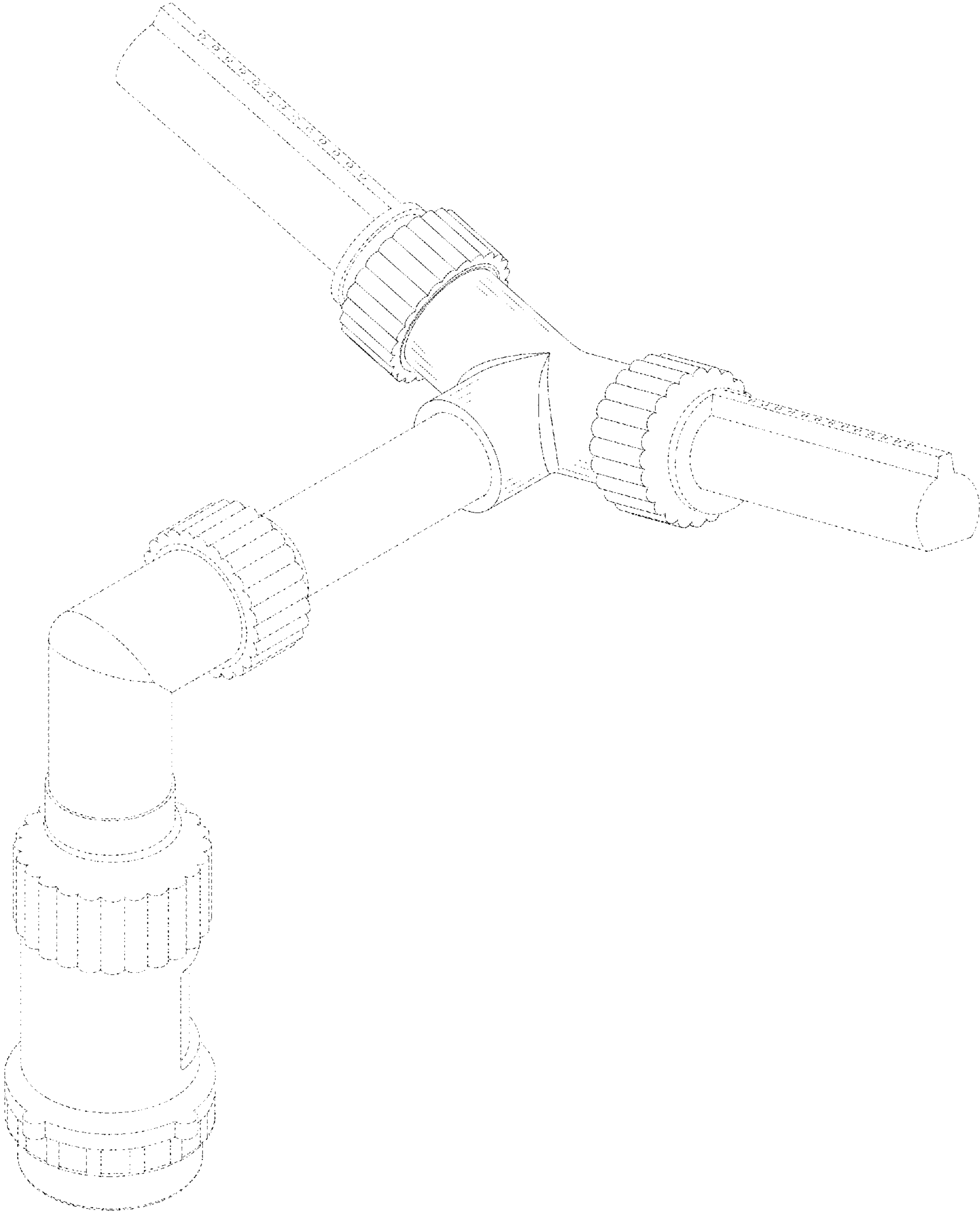


FIG.1

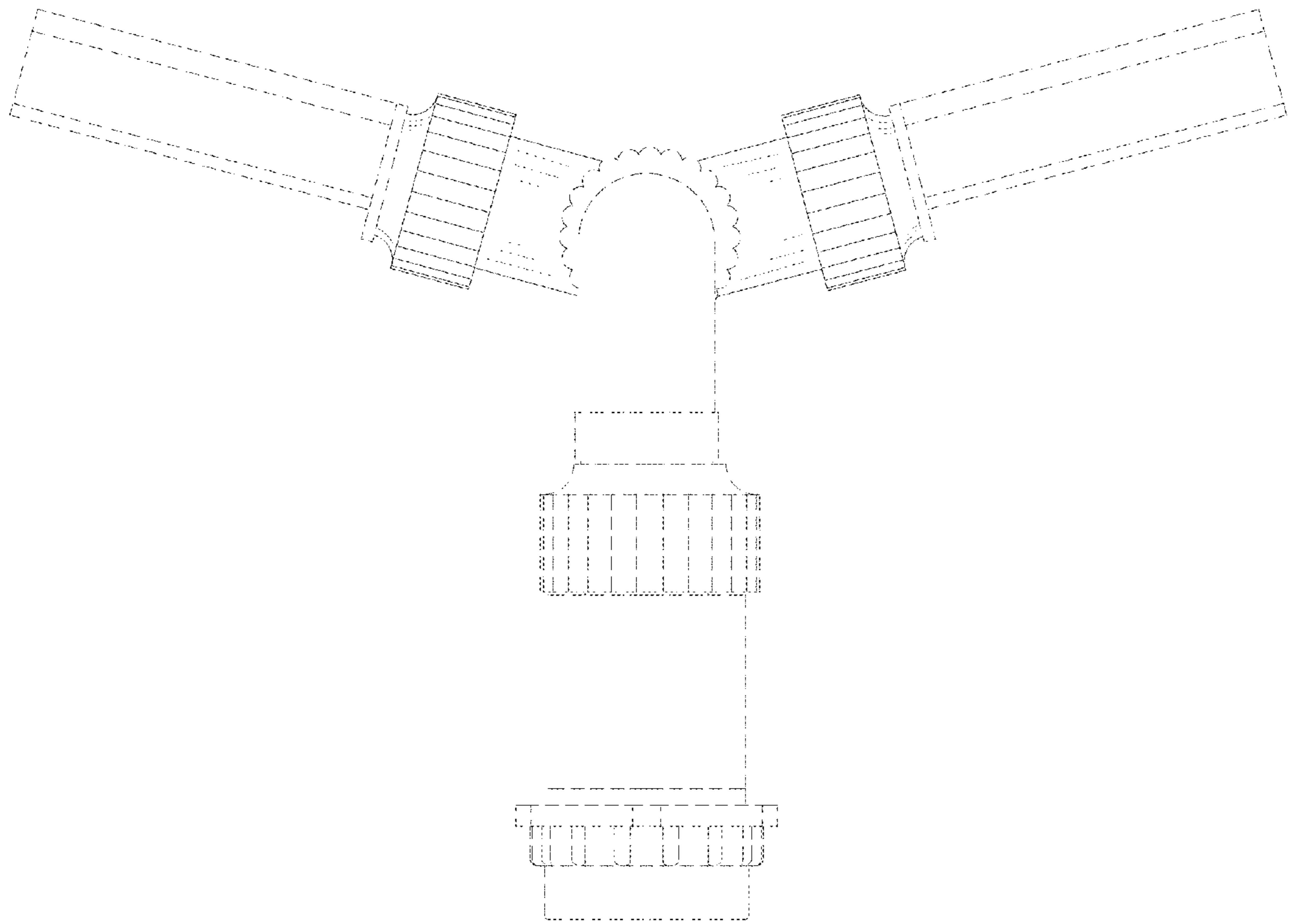


FIG. 2

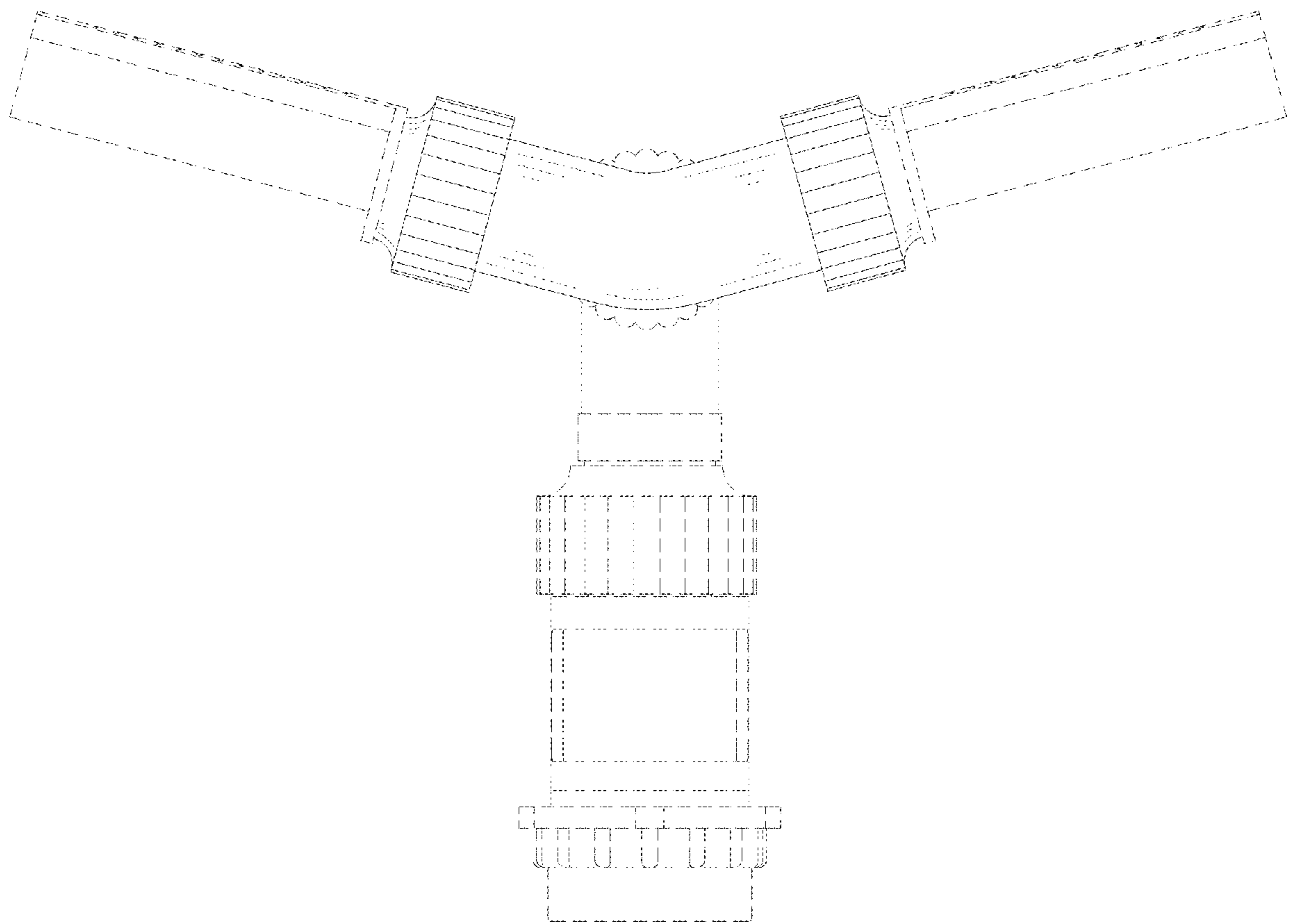


FIG.3

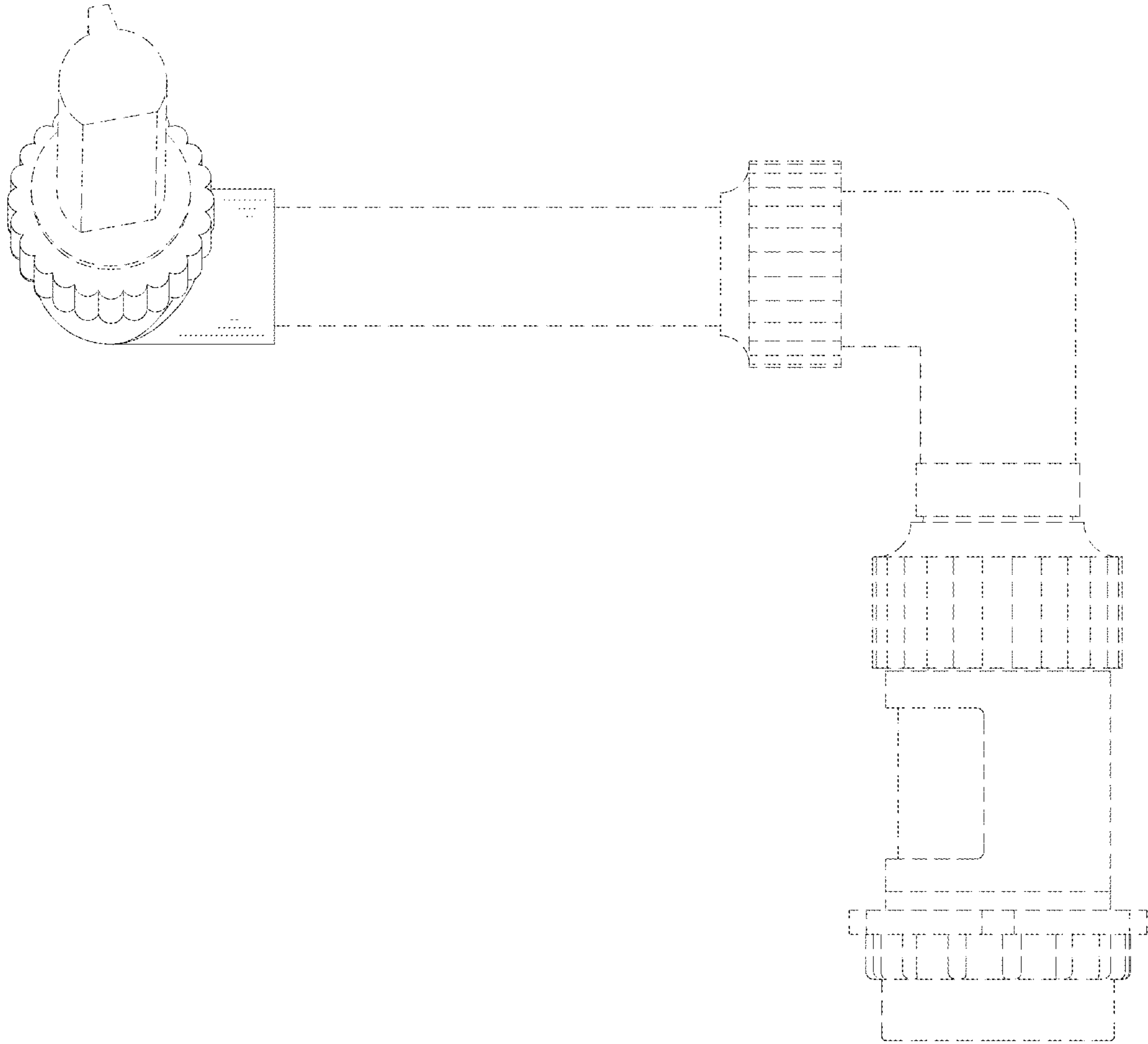


FIG. 4

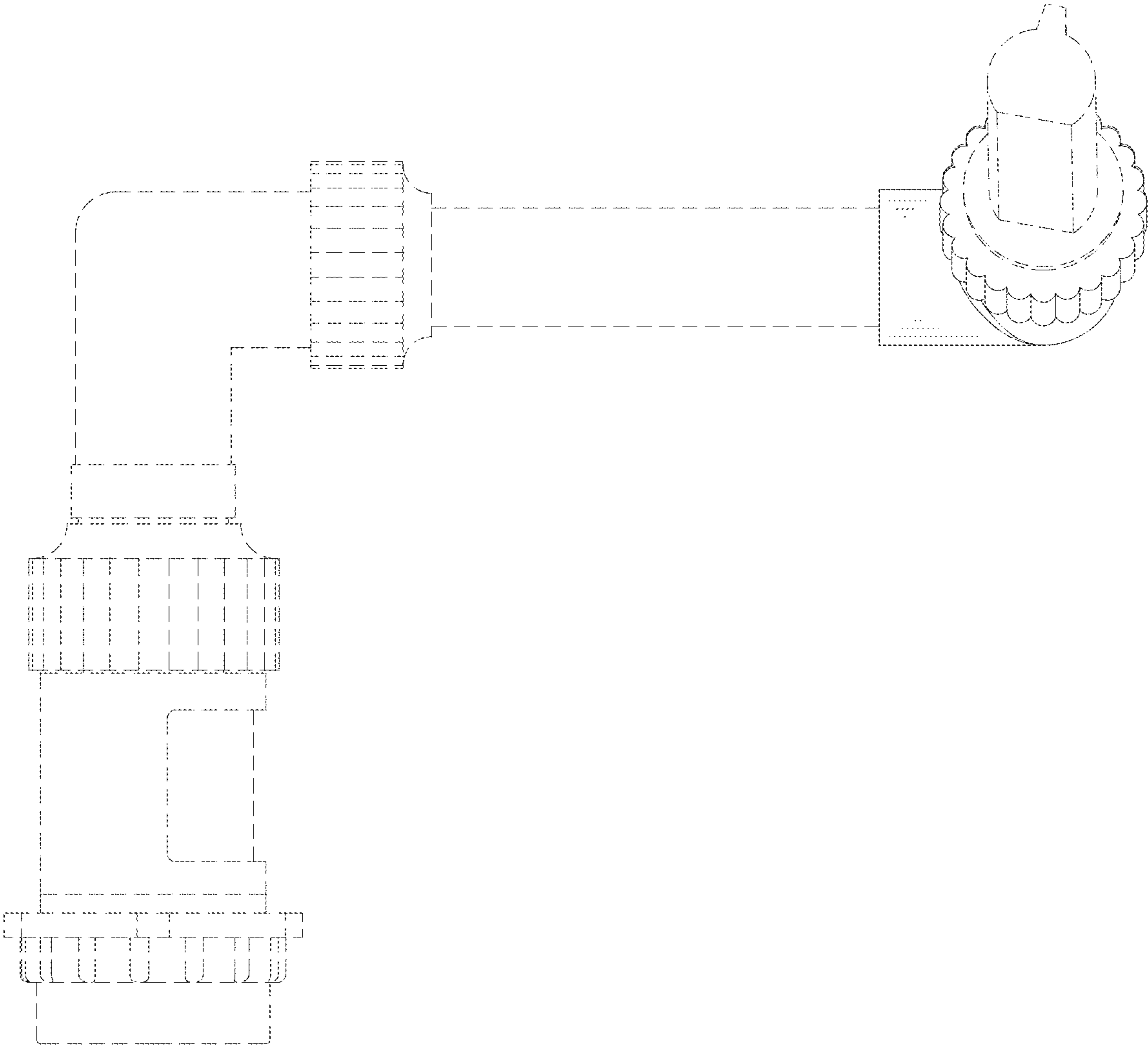


FIG. 5

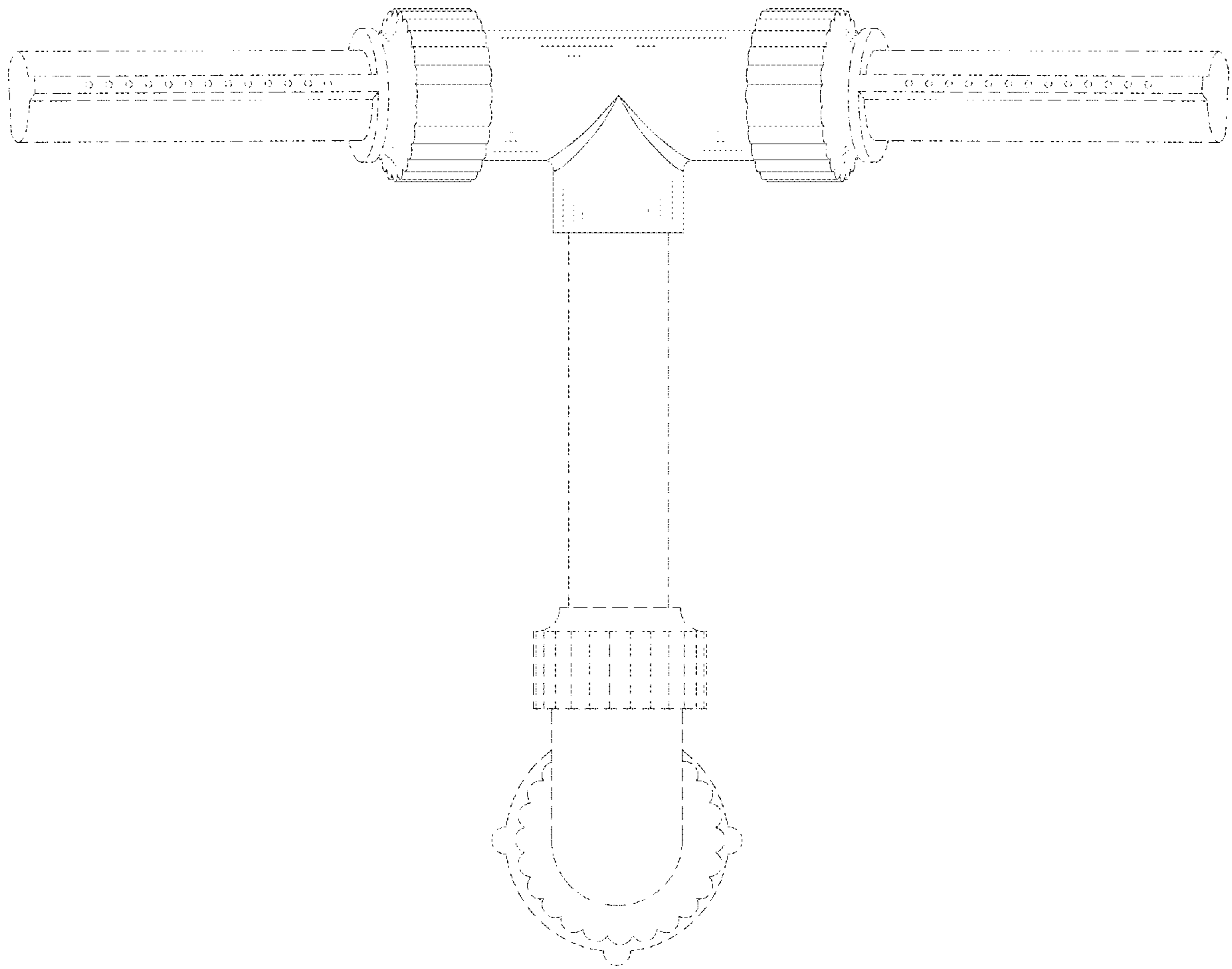


FIG. 6

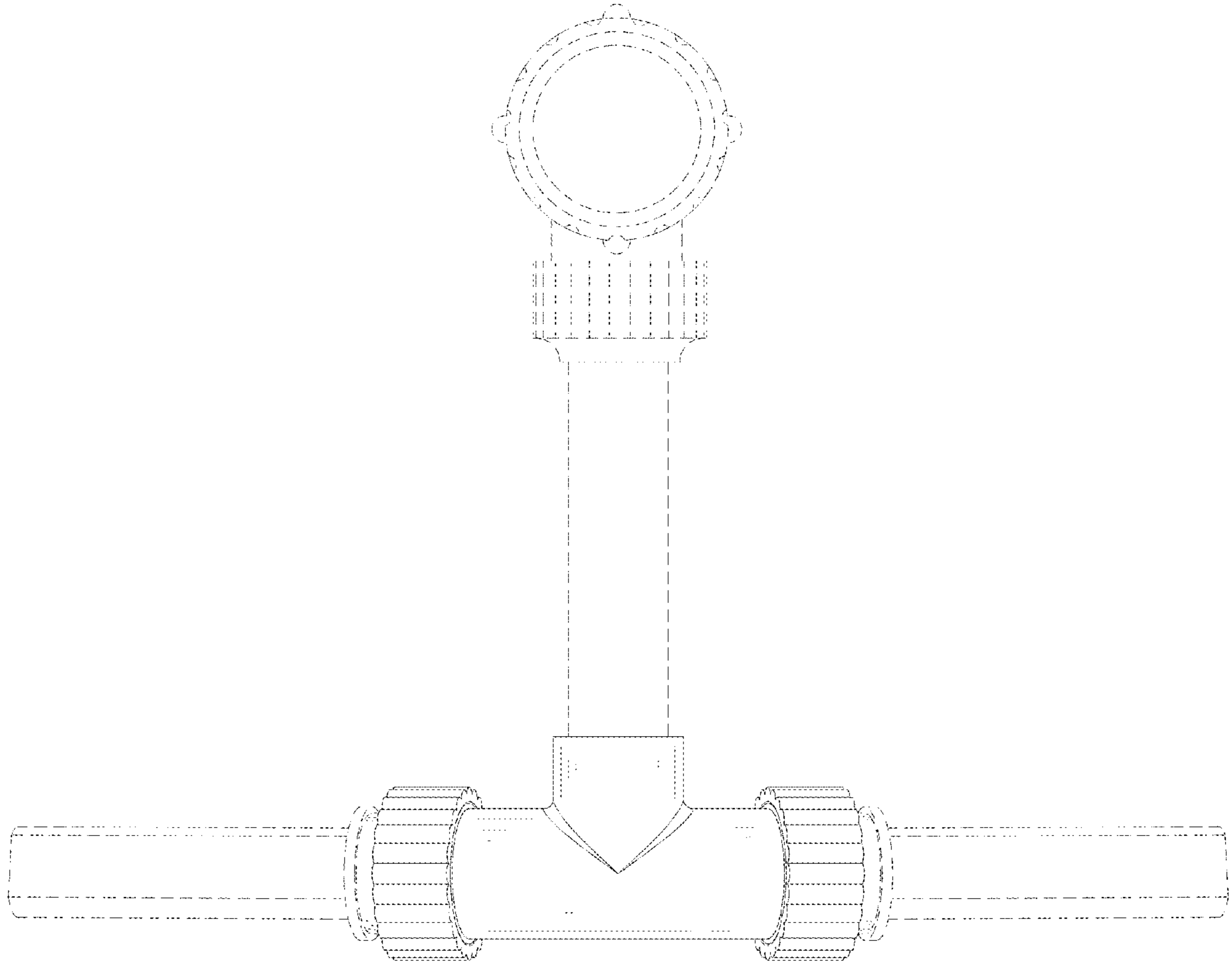


FIG. 7