



US00D982707S

(12) **United States Design Patent** (10) **Patent No.:** **US D982,707 S**
Zhong (45) **Date of Patent:** **** Apr. 4, 2023**

(54) **FLY FAN**

(71) Applicant: **Shenzhen Samsen Network Development Co., Ltd.**, Guangdong (CN)

(72) Inventor: **Huashan Zhong**, Guangdong (CN)

(73) Assignee: **Shenzhen Samsen Network Development Co., Ltd.**, Guangdong (CN)

(**) Term: **15 Years**

(21) Appl. No.: **29/863,166**

(22) Filed: **Dec. 15, 2022**

(51) **LOC (14) Cl.** **22-06**

(52) **U.S. Cl.**

USPC **D22/120; D22/122**

(58) **Field of Classification Search**

USPC D22/120, 122; D23/370, 366-367, D23/377-379; 43/132.1, 137; D11/111, D11/157; D21/506, 511

CPC A01M 1/02; A01M 1/24; A01M 29/06; A01M 29/34; A01M 2200/012

See application file for complete search history.

(56) **References Cited**

U.S. PATENT DOCUMENTS

D654,970 S	*	2/2012	Daves	D21/511
D691,892 S	*	10/2013	Bramble	D9/638
D705,120 S	*	5/2014	Dubow	D11/157
D847,297 S	*	4/2019	Hassman	D22/122
D858,302 S	*	9/2019	Geerlings	D9/636
D921,830 S		6/2021	Liu		
D948,701 S	*	4/2022	Liu	D23/379
D948,935 S	*	4/2022	Malinowski	D7/400
D950,675 S	*	5/2022	Xu	D22/122
D967,921 S		10/2022	Gui		

OTHER PUBLICATIONS

https://www.amazon.com/Outdoor-Repellent-Holographic-Restaurant-Barbeque/dp/B09WK35TKP/ref=asc_df_B09WK35TKP/?tag=hyprod-20&linkCode=df0&hvadid=563671145263&hvpos=&hvnetw=g&hvrand=13873087574448174291&hvpone=&hvptwo=&hvqmt=&hvdev=c&hvdvcmld=&hvlocint=&hvlocphy=9059726&hvtargid=pla-1658550874798&psc=1 (Year: 2022).*

* cited by examiner

Primary Examiner — Catherine R Oliver-Garcia
(74) *Attorney, Agent, or Firm* — ScienBiziP, P.C.

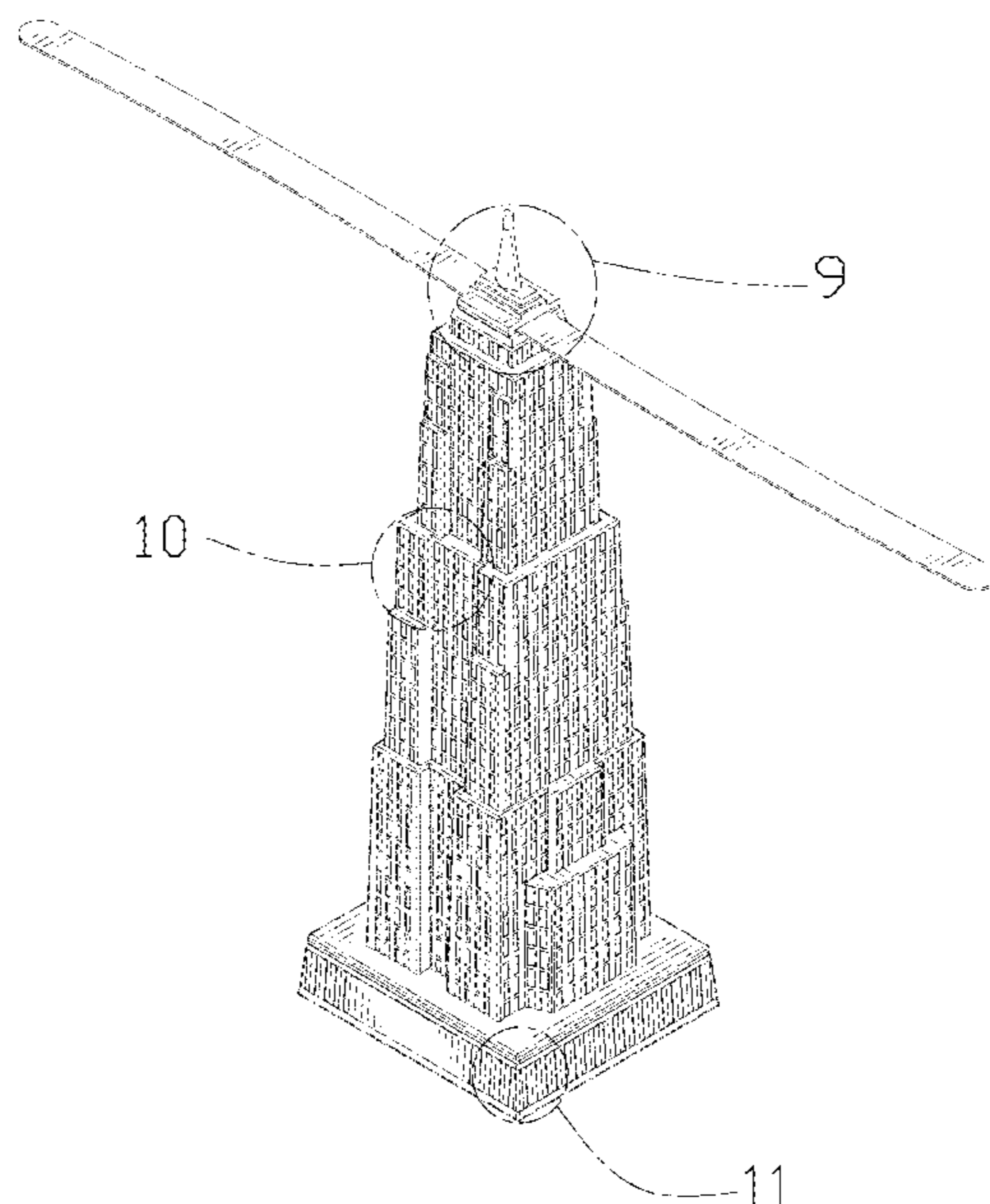
(57) **CLAIM**

The ornamental design for a fly fan, as shown and described.

DESCRIPTION

FIG. 1 is a front, right and top perspective view of a fly fan, showing my design.
FIG. 2 is a rear, left and bottom perspective view thereof.
FIG. 3 is a front elevation view thereof.
FIG. 4 is a rear elevation view thereof.
FIG. 5 is a left side elevation view thereof.
FIG. 6 is a right side elevation view thereof.
FIG. 7 is a top plan view thereof.
FIG. 8 is a bottom plan view thereof.
FIG. 9 is an enlarged view of detail 9 in FIG. 1.
FIG. 10 is an enlarged view of detail 10 in FIG. 1.
FIG. 11 is an enlarged view of detail 11 in FIG. 1; and,
FIG. 12 is an enlarged view of detail 12 in FIG. 7.
The broken lines depict portions of the fly fan that form no part of the claimed design. The dot-dash broken lines in FIGS. 1, 7, and 9-12 depict the boundaries of the enlargements that form no part of the claimed design.

1 Claim, 12 Drawing Sheets



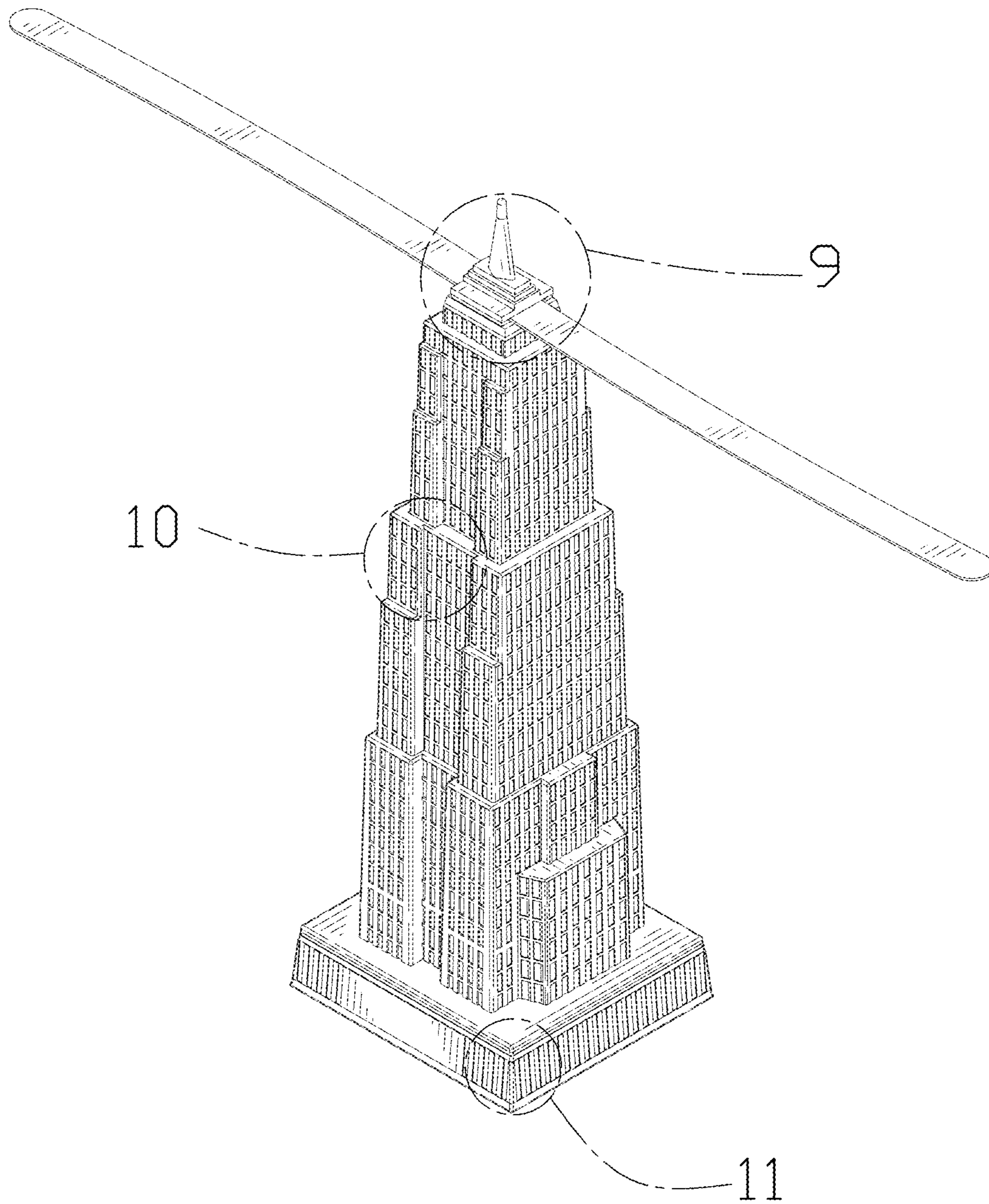


FIG. 1

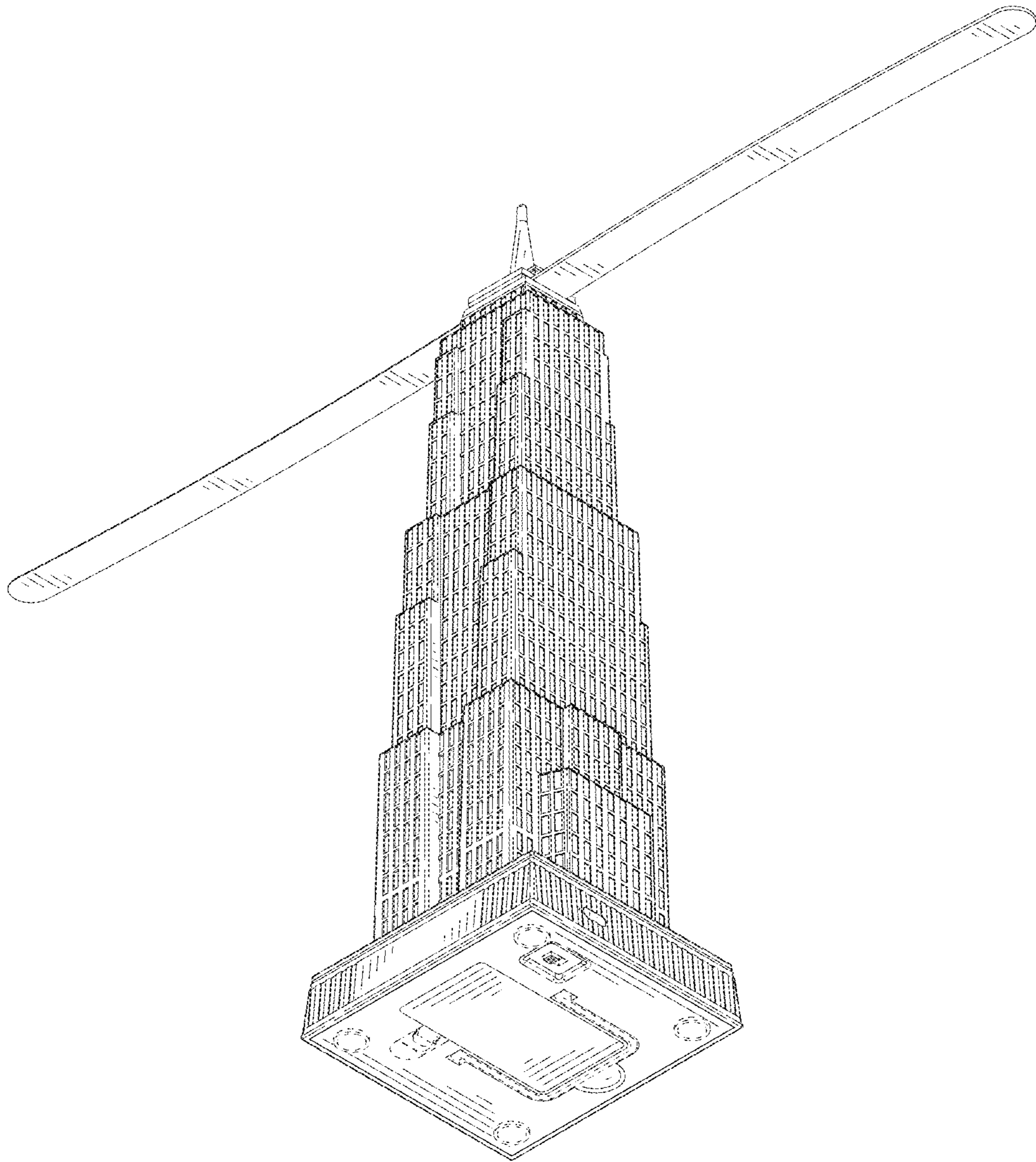


FIG. 2

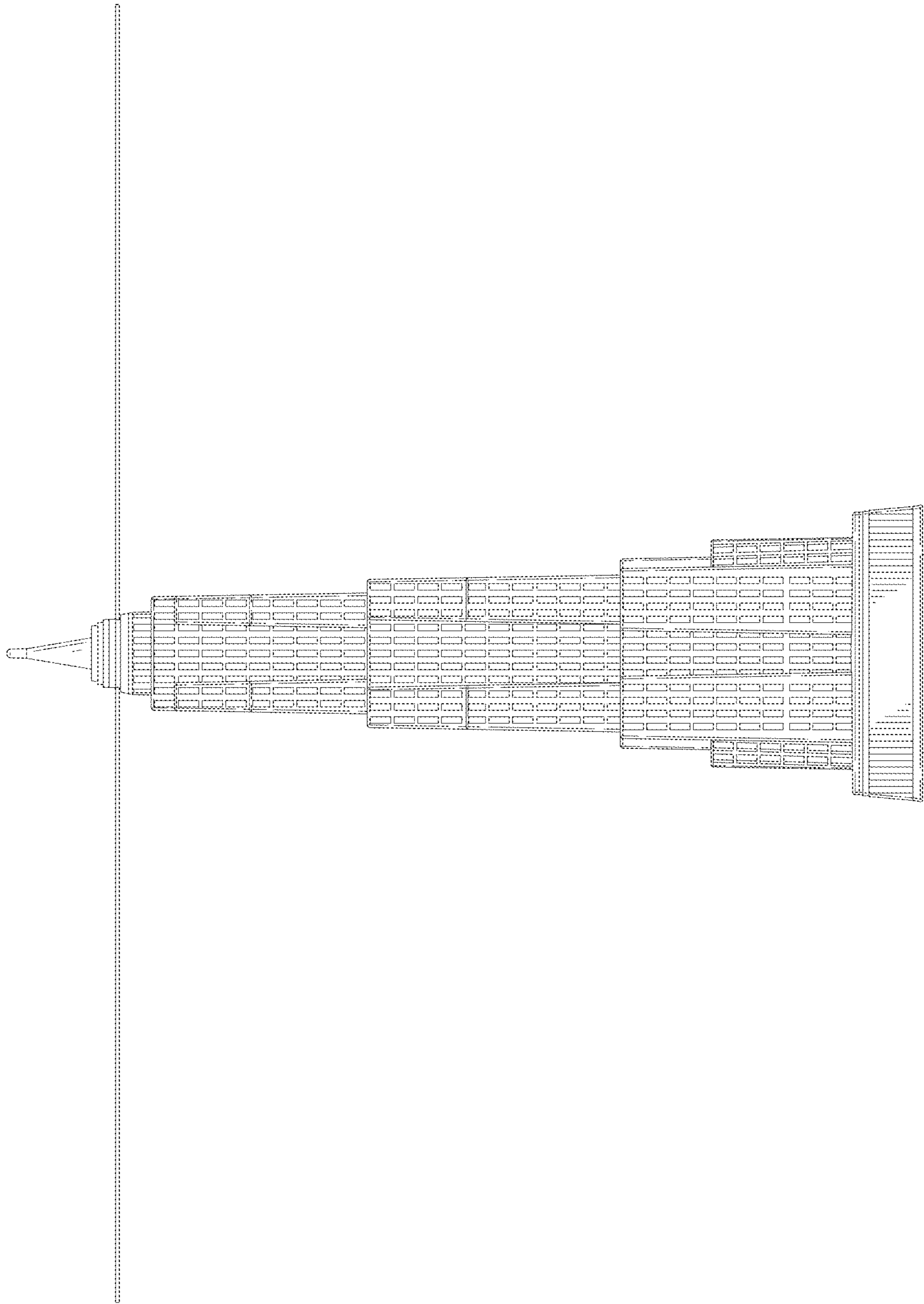


FIG. 3

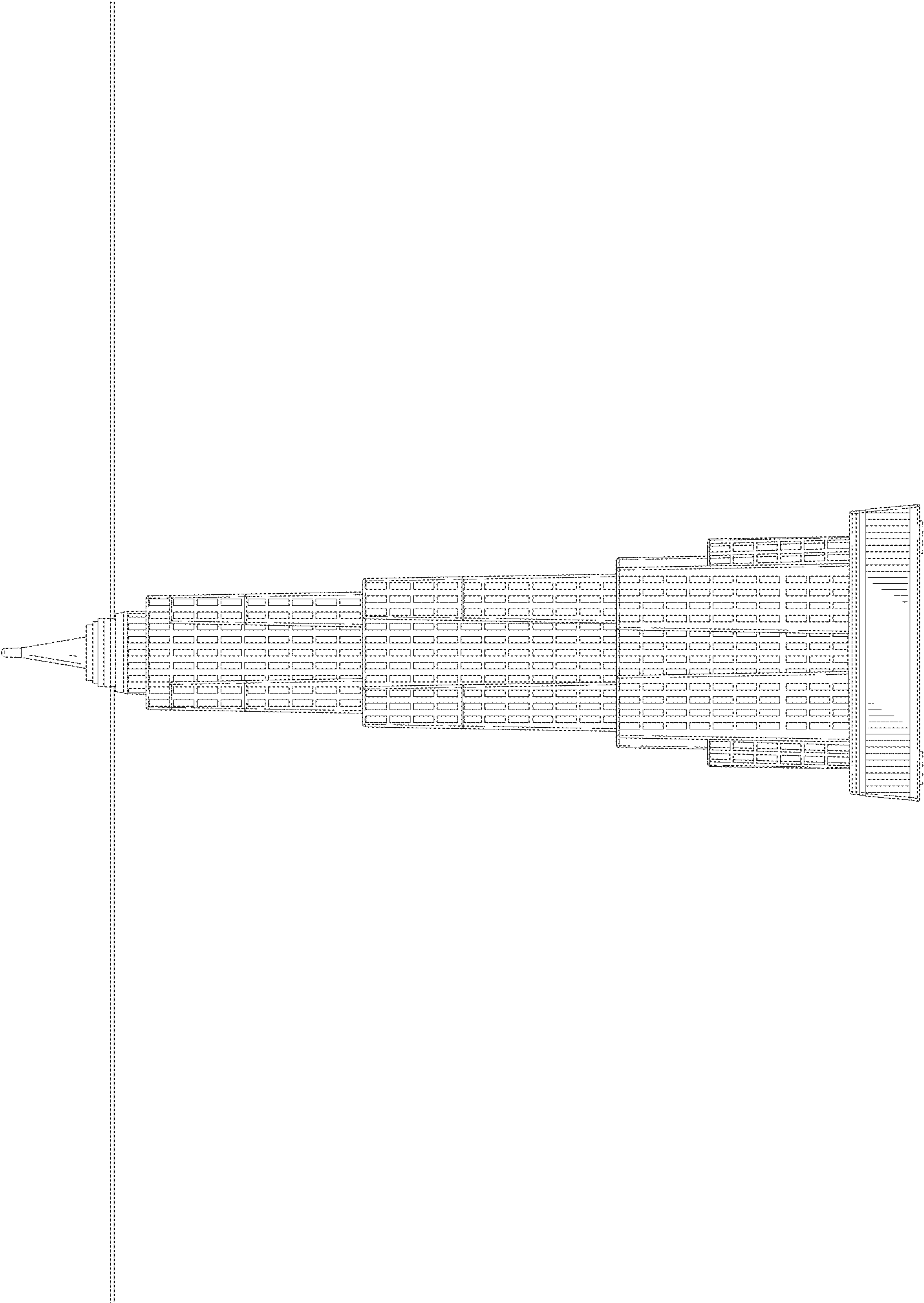


FIG. 4

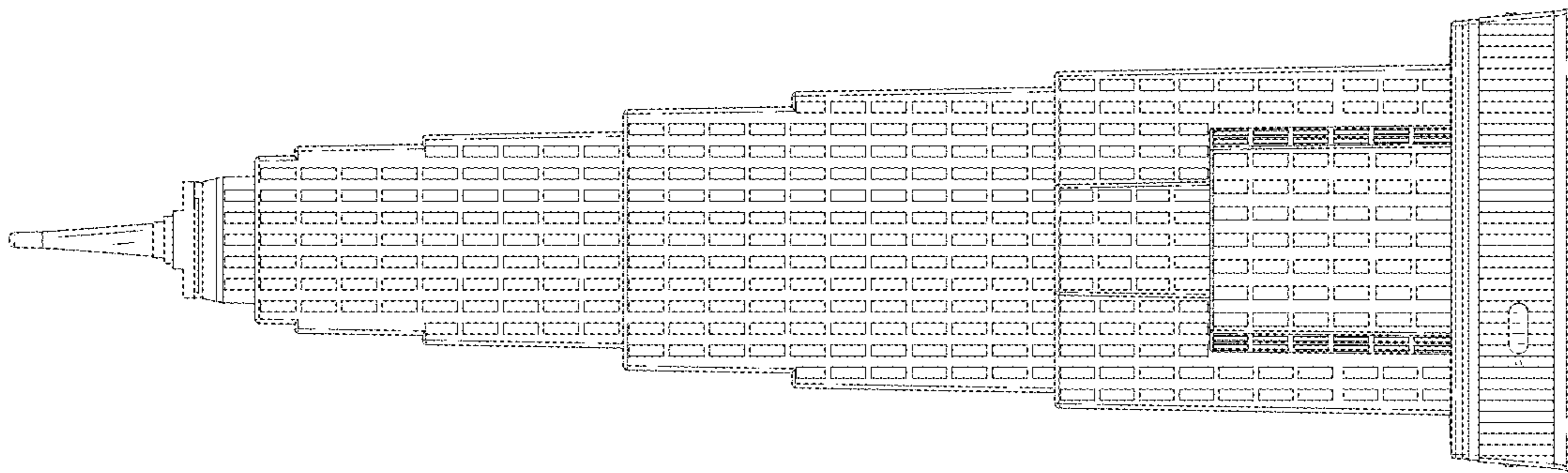


FIG. 5

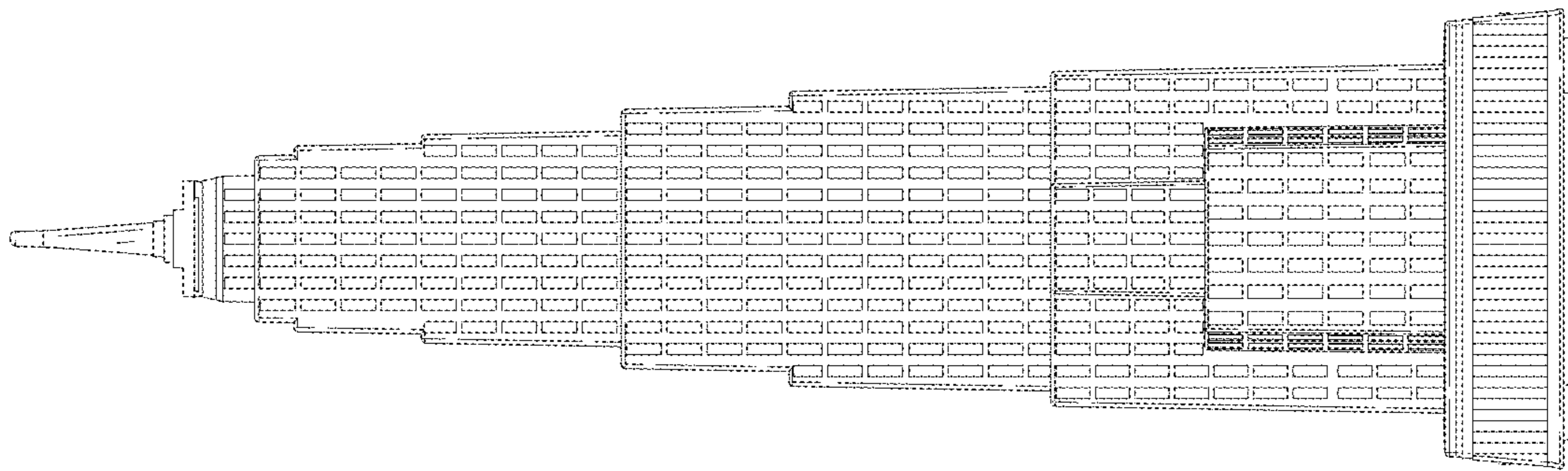


FIG. 6

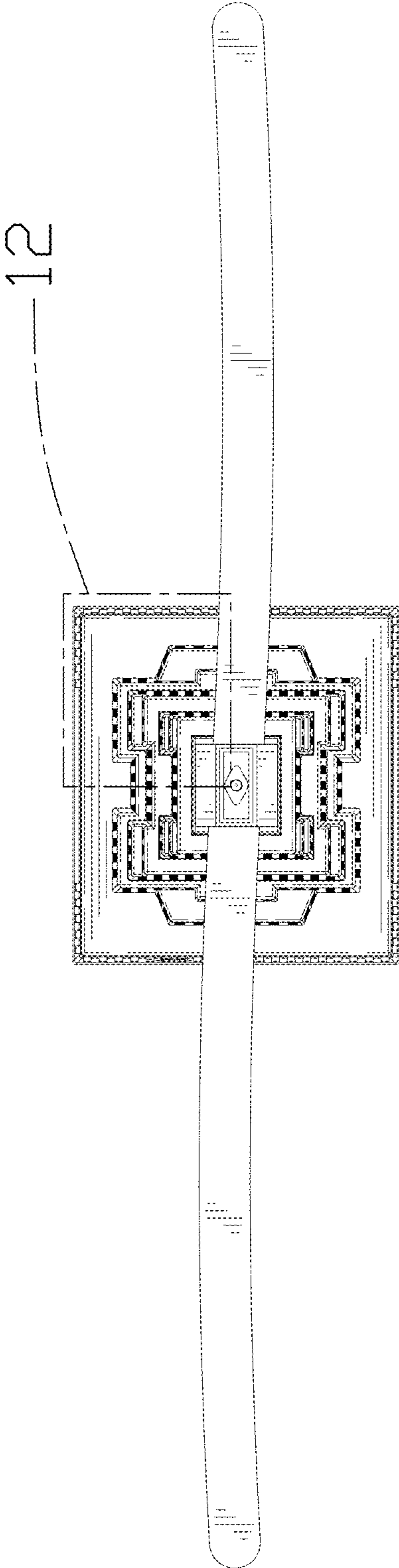


FIG. 7

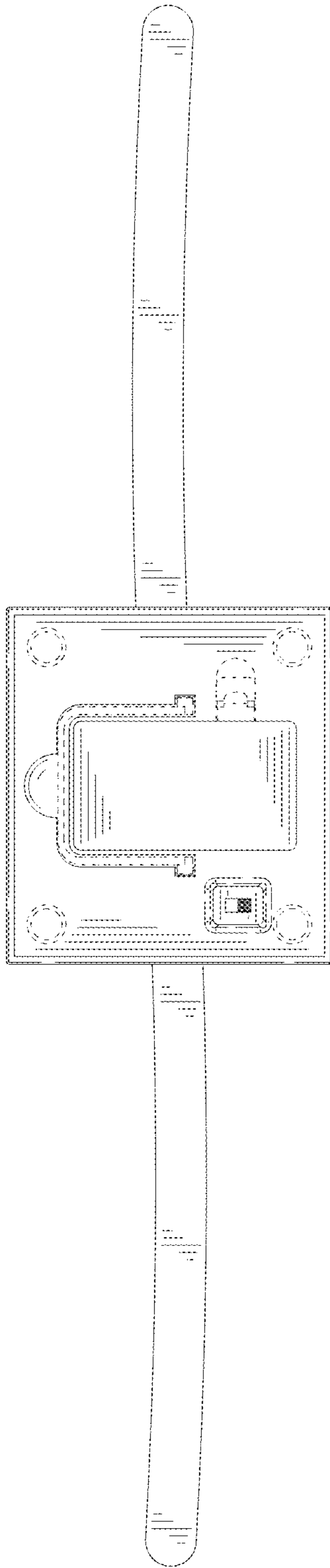


FIG. 8

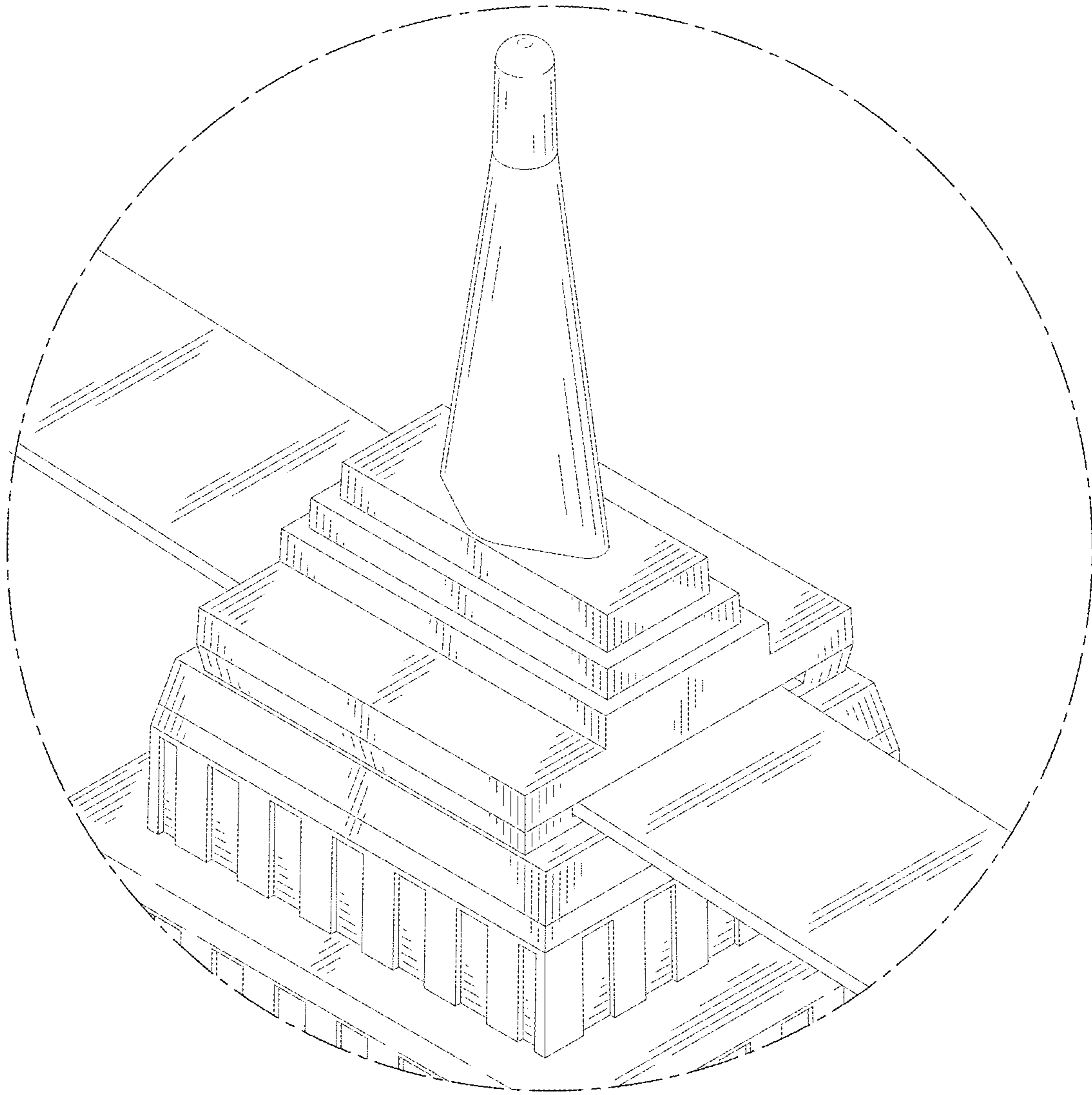


FIG. 9

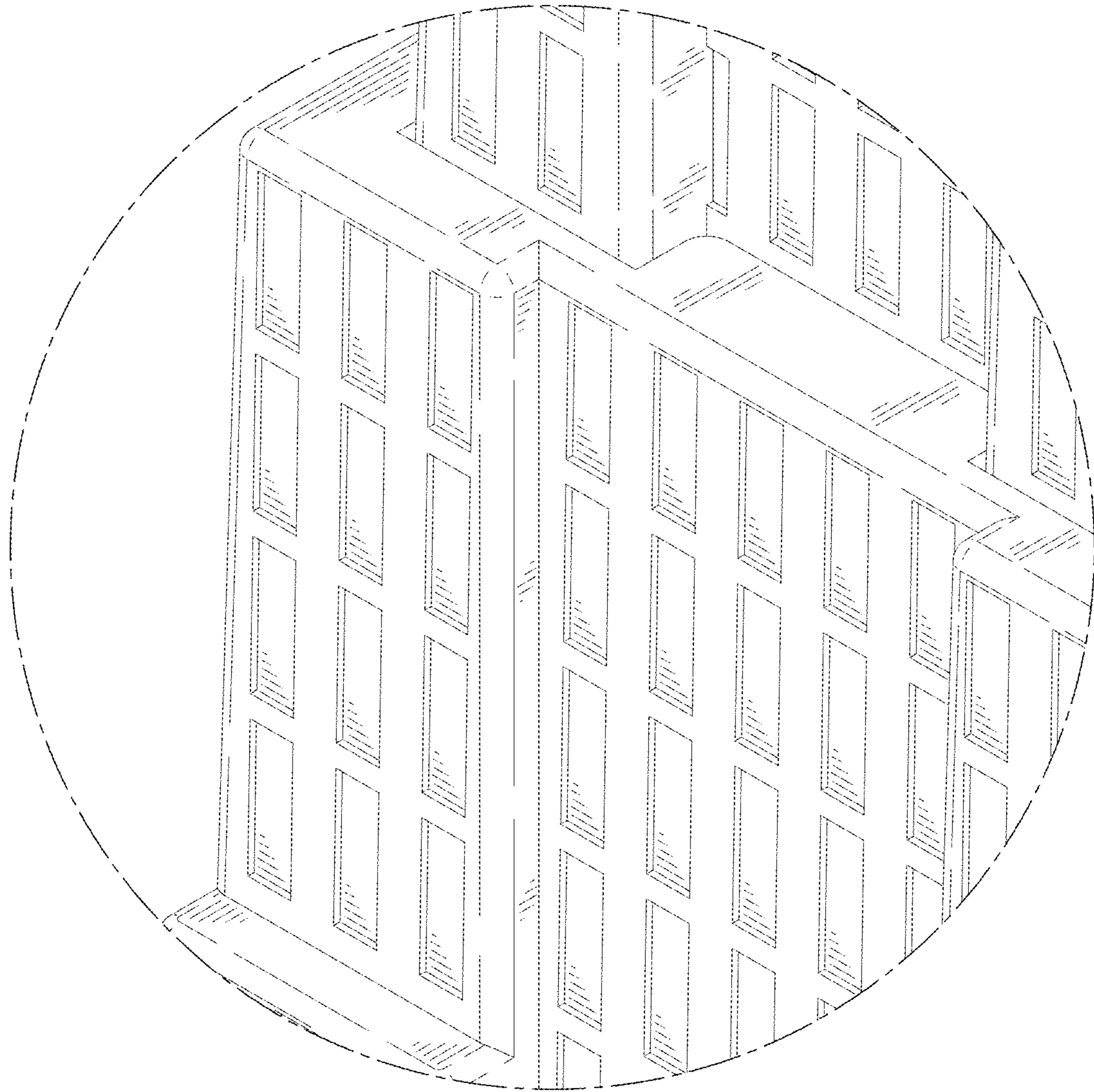


FIG. 10

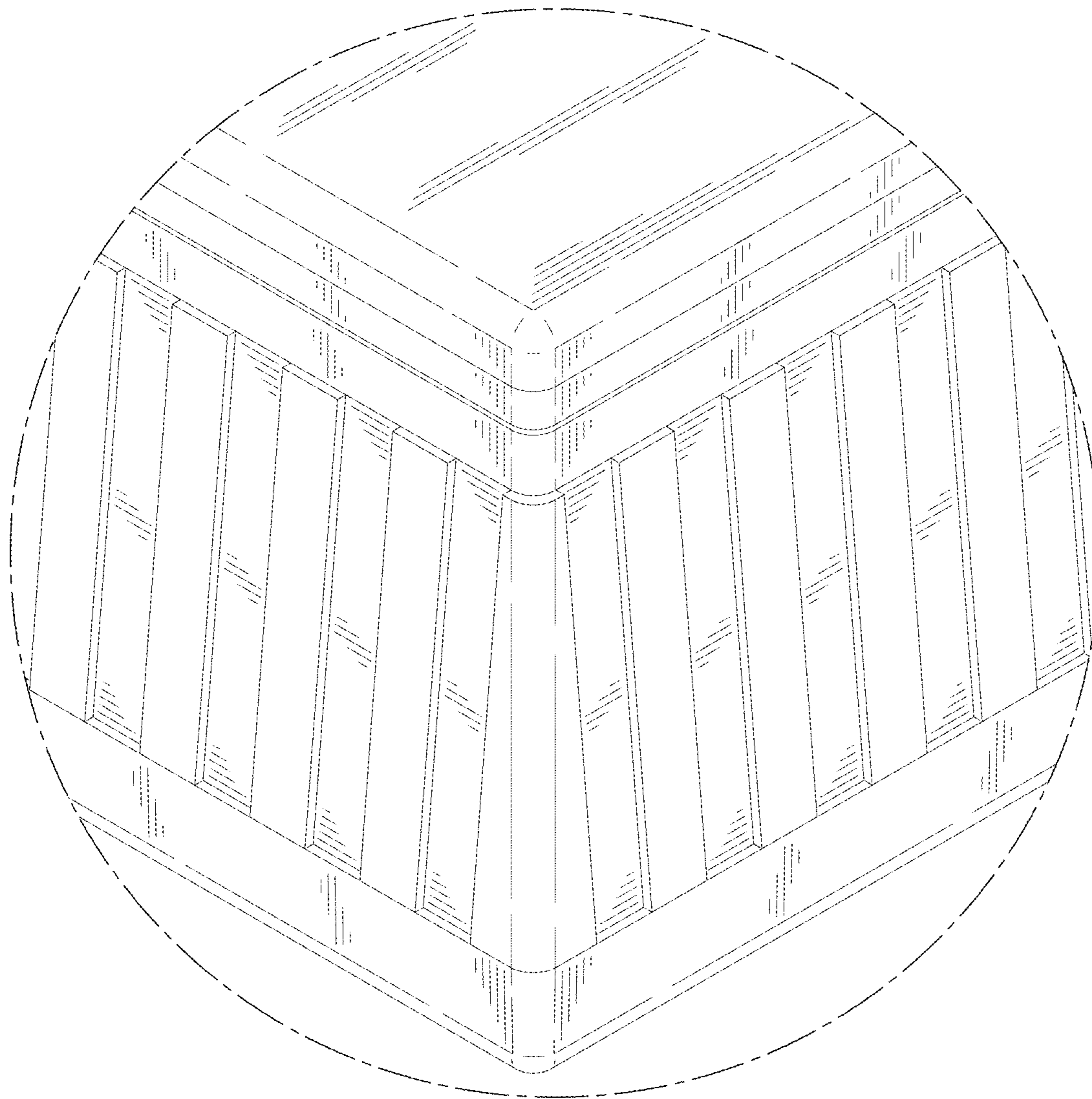


FIG. 11

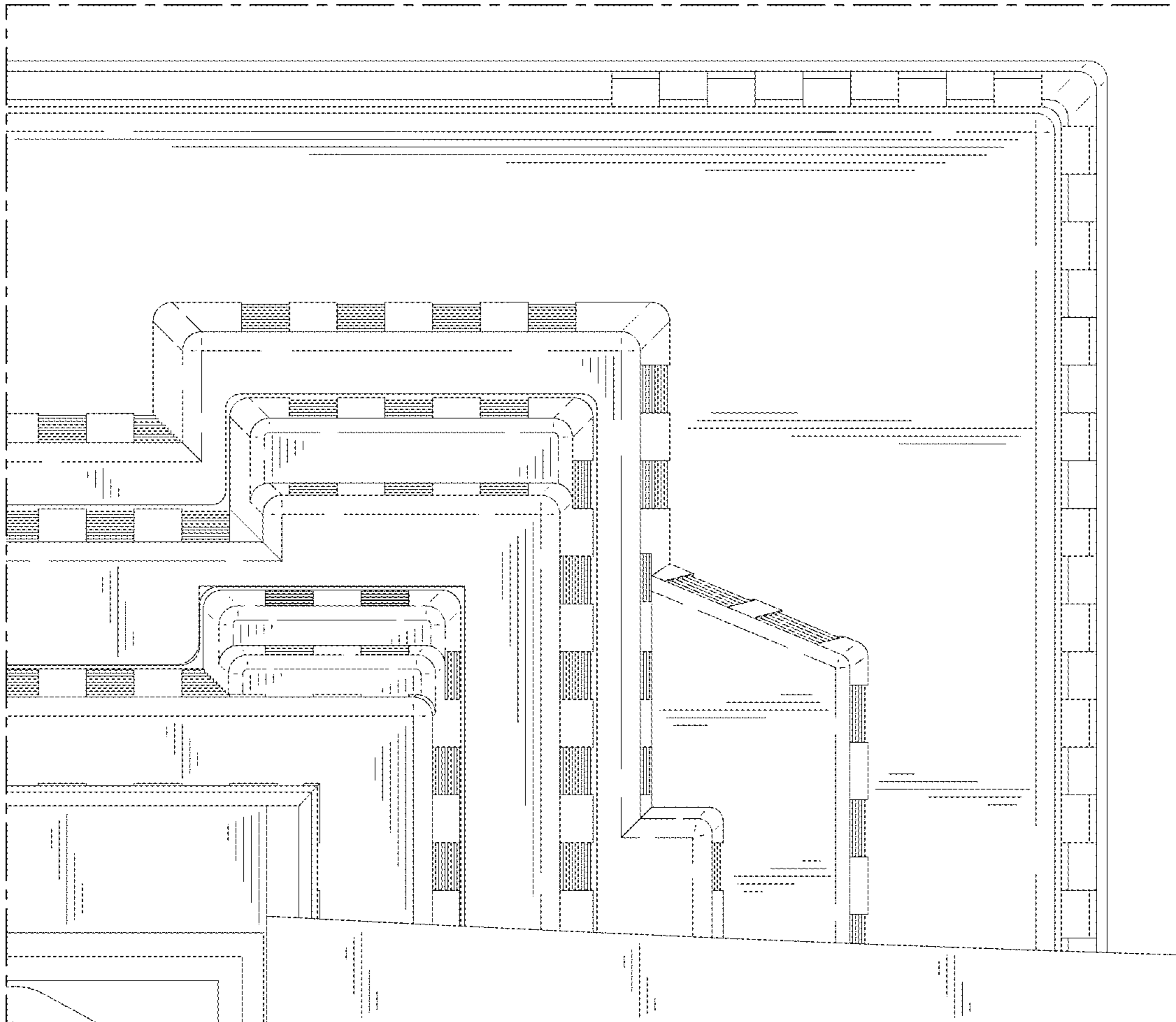


FIG. 12