



US00D982706S

(12) **United States Design Patent** (10) **Patent No.:** **US D982,706 S**
Lin (45) **Date of Patent:** **** Apr. 4, 2023**

(54) **PEST REPELLENT**
(71) Applicant: **Fuzhou Xinghuo E-commerce Co., Ltd.**, Fuzhou (CN)
(72) Inventor: **Mingzhi Lin**, Fuzhou (CN)
(73) Assignee: **Fuzhou Xinghuo e-commerce Co., Ltd.**, Fuzhou (CN)

D836,748 S *	12/2018	Gu	D22/120
D847,296 S *	4/2019	Gu	D22/120
D852,312 S *	6/2019	Gu	D22/120
D869,598 S *	12/2019	Gu	D22/120
D879,910 S *	3/2020	Gu	D22/120
D880,645 S *	4/2020	Gu	D22/119
D880,646 S *	4/2020	Gu	D22/120
D897,485 S *	9/2020	He	D22/120
D961,040 S *	8/2022	Savchenko	D22/120
D962,380 S *	8/2022	Zhang	D22/120
D963,783 S *	9/2022	Huang	D22/120

(**) Term: **15 Years**

* cited by examiner

(21) Appl. No.: **29/782,391**

Primary Examiner — Catherine R Oliver-Garcia

(22) Filed: **May 6, 2021**

(51) **LOC (14) Cl.** **22-06**

(52) **U.S. Cl.**
USPC **D22/120**

(57) **CLAIM**

The ornamental design for a pest repellent, as shown and described.

(58) **Field of Classification Search**
USPC D22/119–120, 122; D23/366–369
CPC A01M 1/04; A01M 1/104; A01M 1/08;
A01M 29/12; A01M 29/28; A01M 29/34;
A01M 2200/01; A01M 2200/011; A01M
2200/012

DESCRIPTION

FIG. 1 is a perspective view of a pest repellent showing my new design;
FIG. 2 is another perspective view thereof;
FIG. 3 is a front view thereof;
FIG. 4 is a rear view thereof;
FIG. 5 is a left side view thereof;
FIG. 6 is a right side view thereof;
FIG. 7 is a top plan view thereof; and,
FIG. 8 is a bottom plan view thereof.
The broken lines in the figures illustrate portions of the pest repellent that form no part of the claimed design.

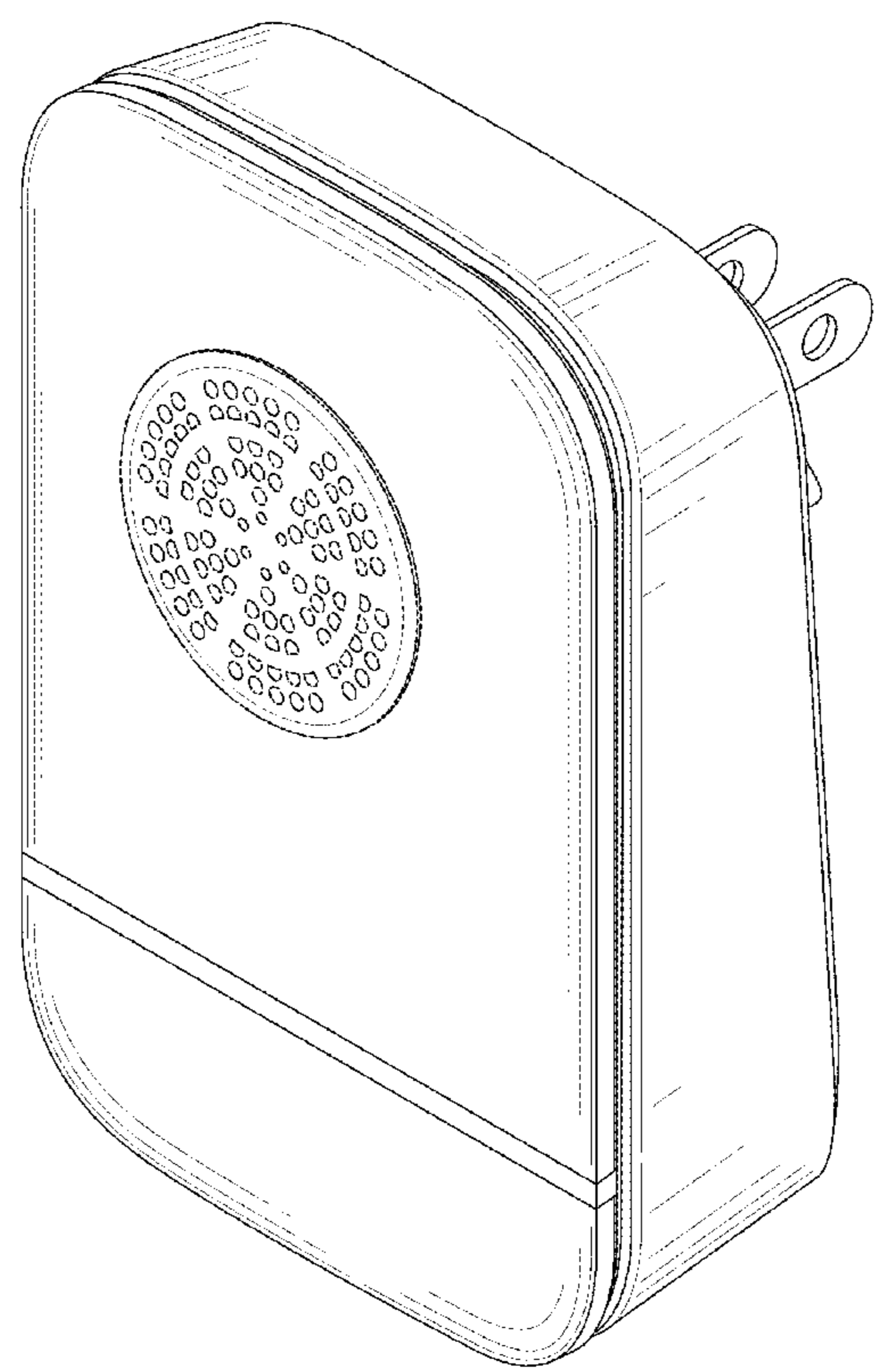
See application file for complete search history.

(56) **References Cited**

U.S. PATENT DOCUMENTS

5,606,305 A *	2/1997	Jan	A01M 29/18 367/139
D469,499 S *	1/2003	Levine	D22/120
D639,466 S *	6/2011	Feuerstein	D22/120
D829,848 S *	10/2018	Gu	D22/120

1 Claim, 8 Drawing Sheets



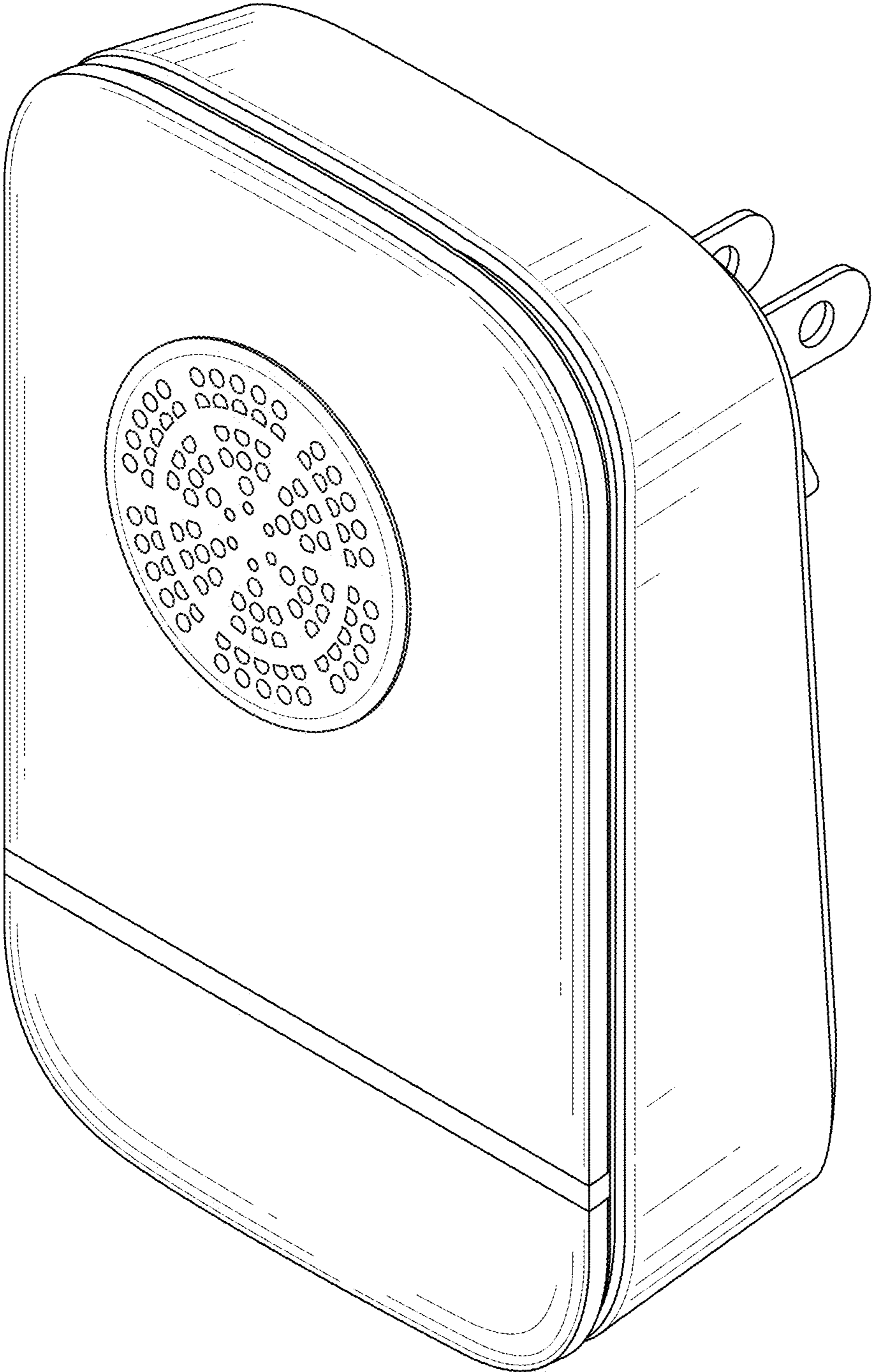


FIG. 1

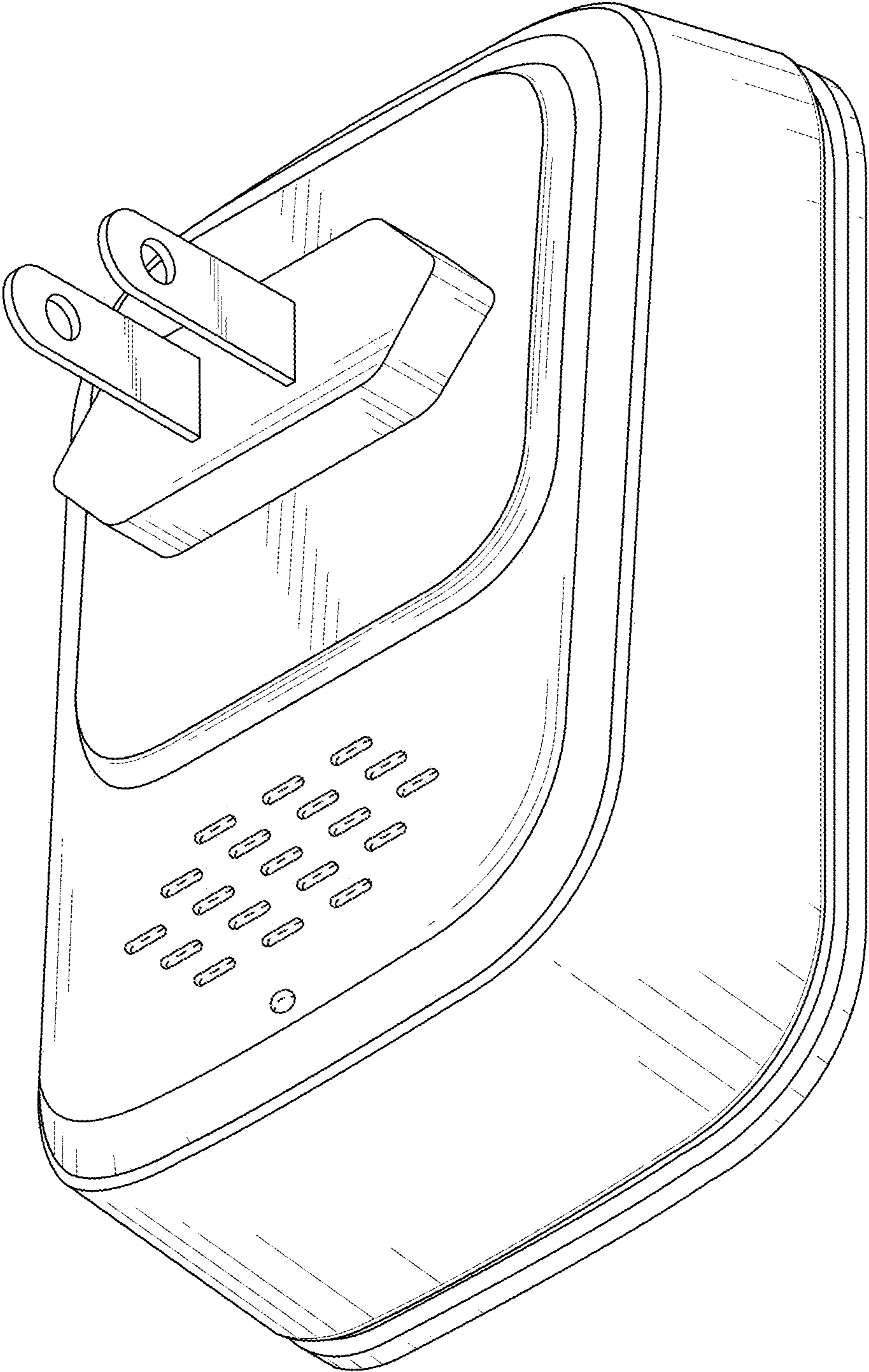


FIG. 2

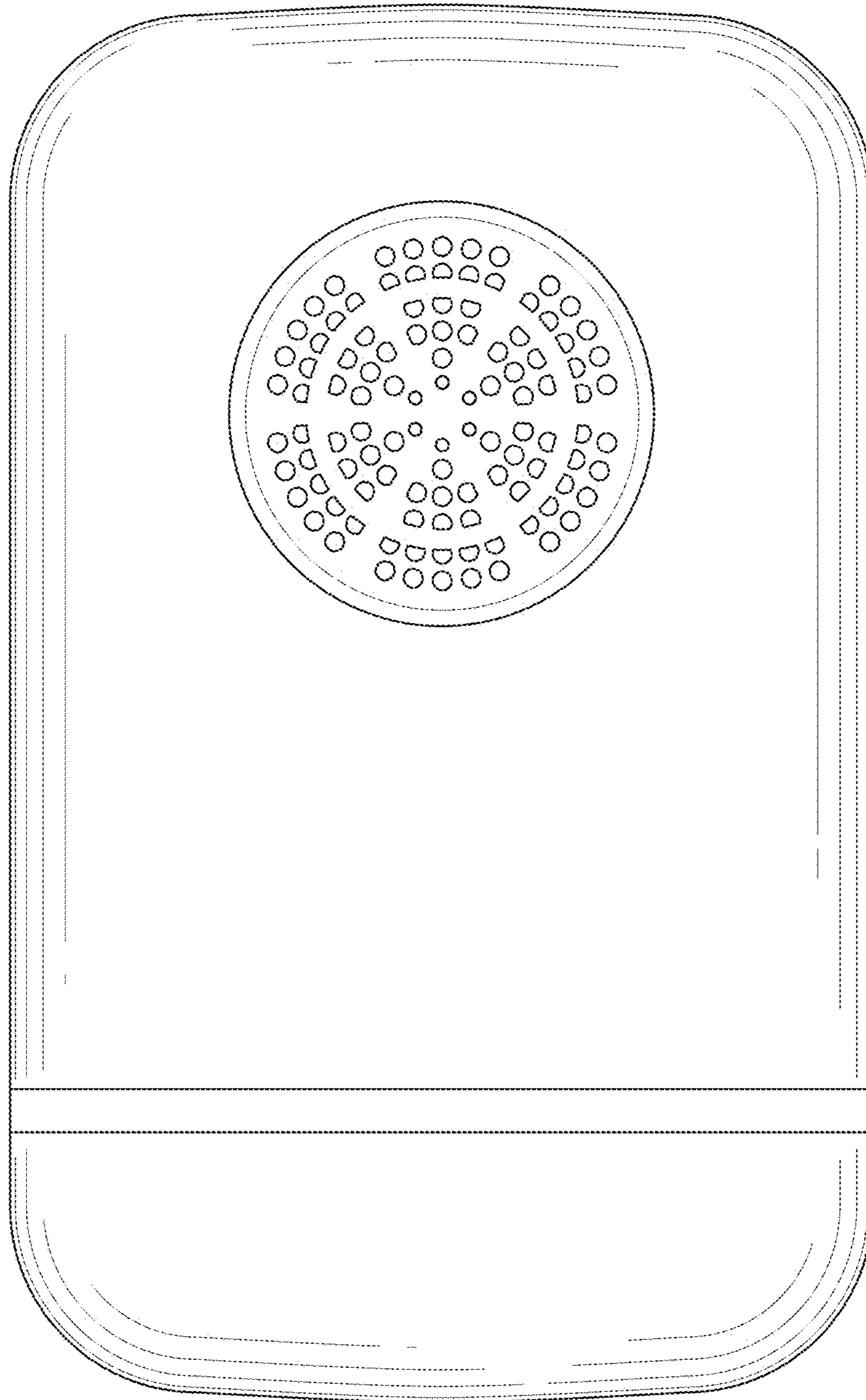


FIG. 3

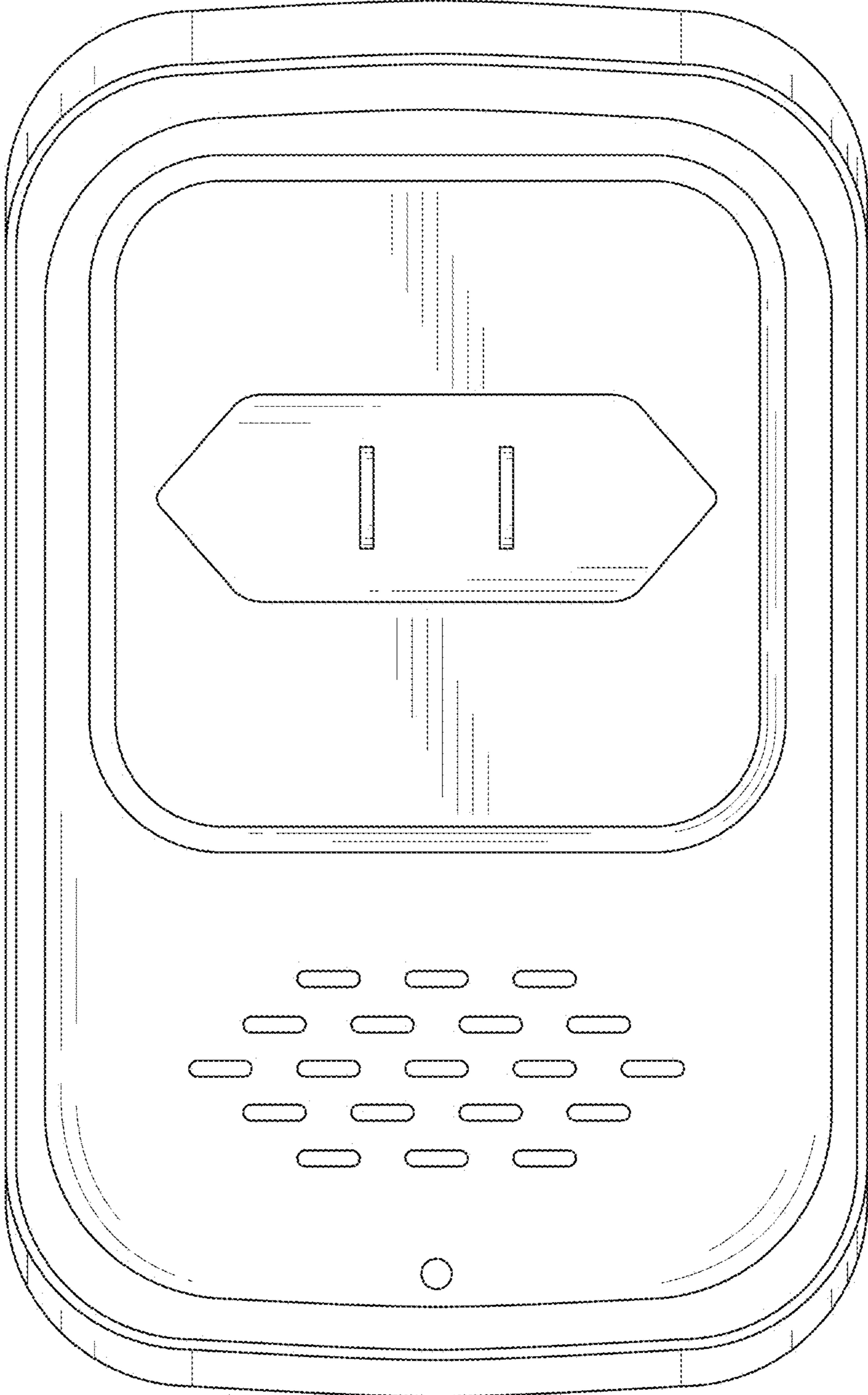


FIG. 4

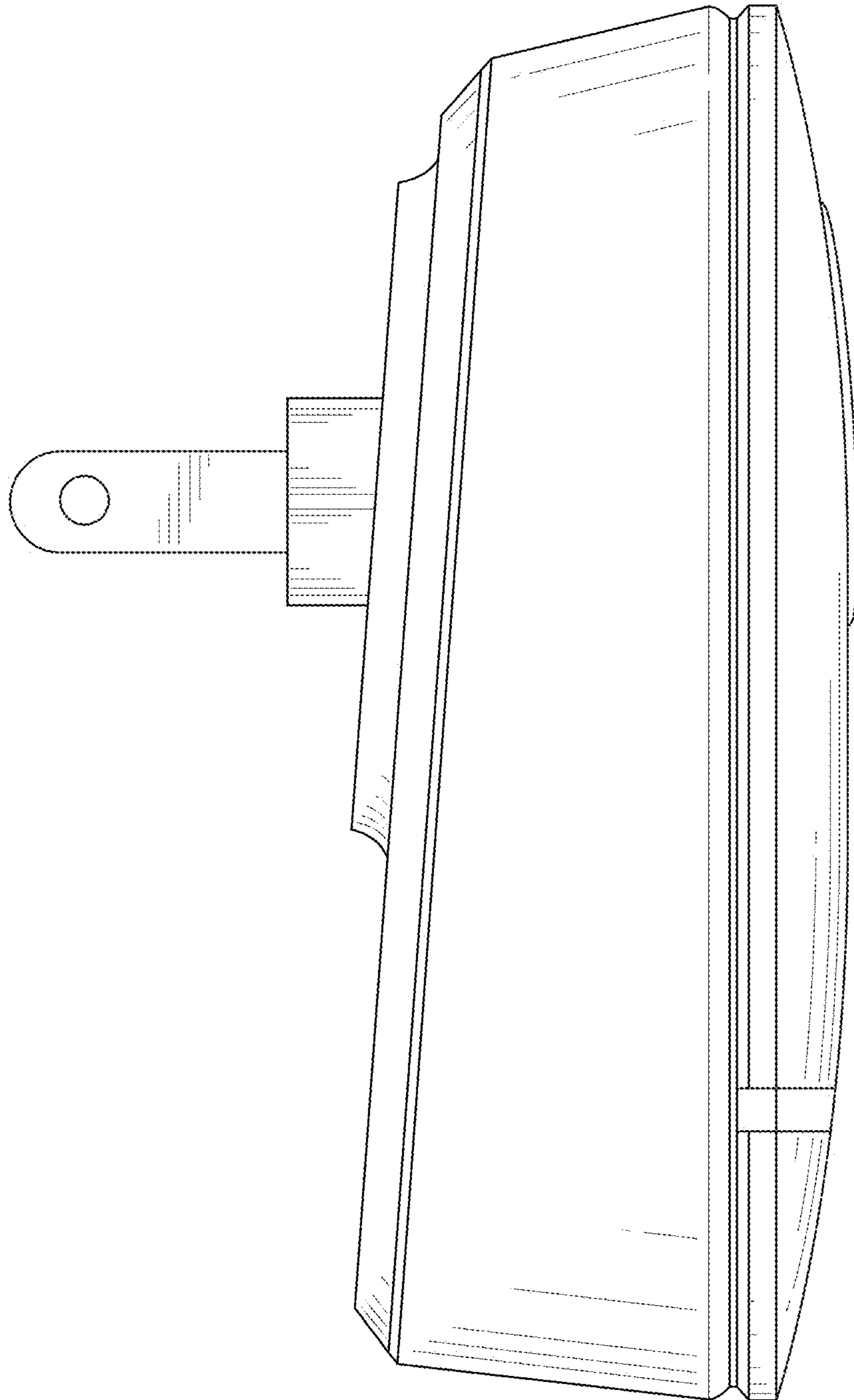


FIG. 5

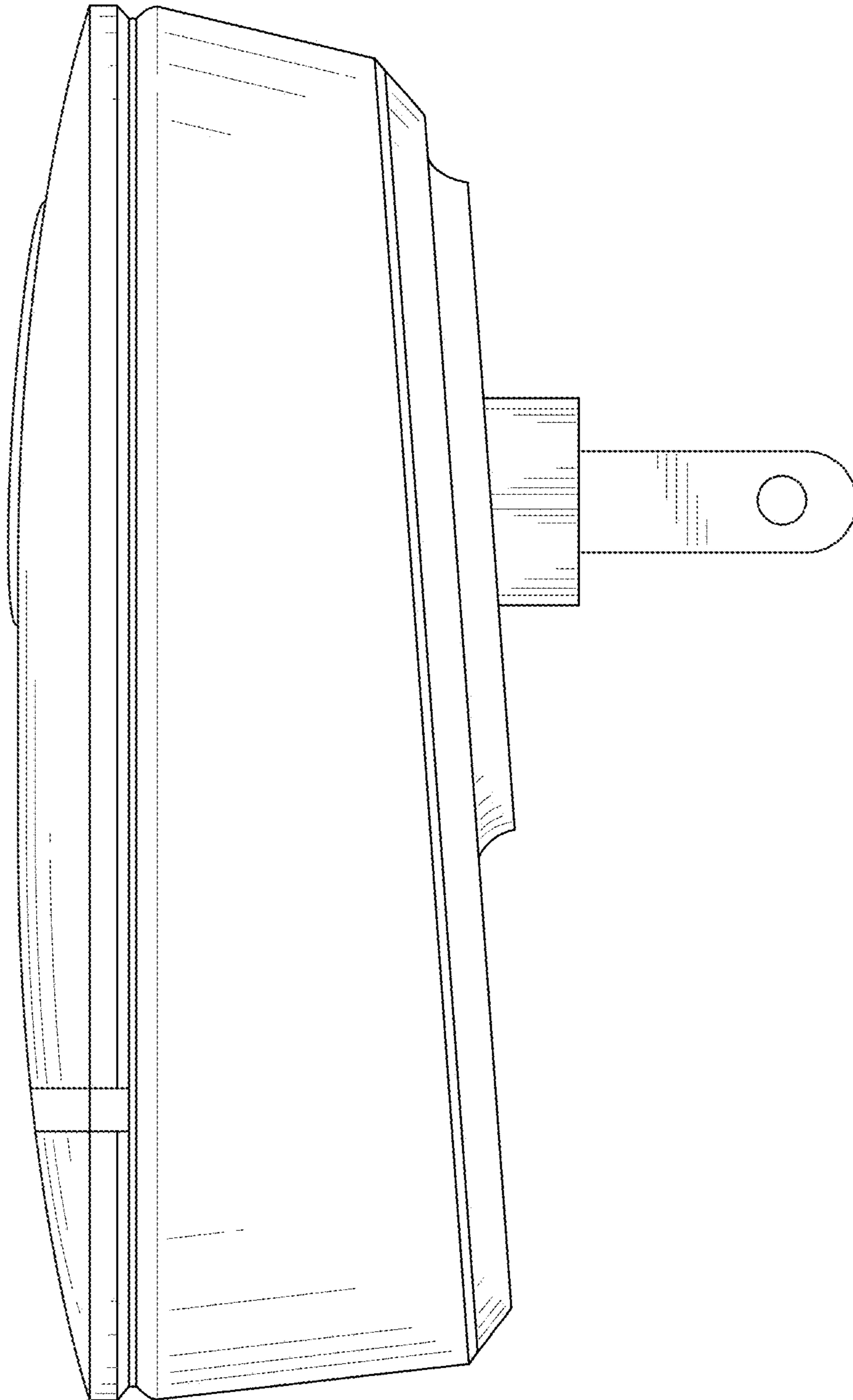


FIG. 6

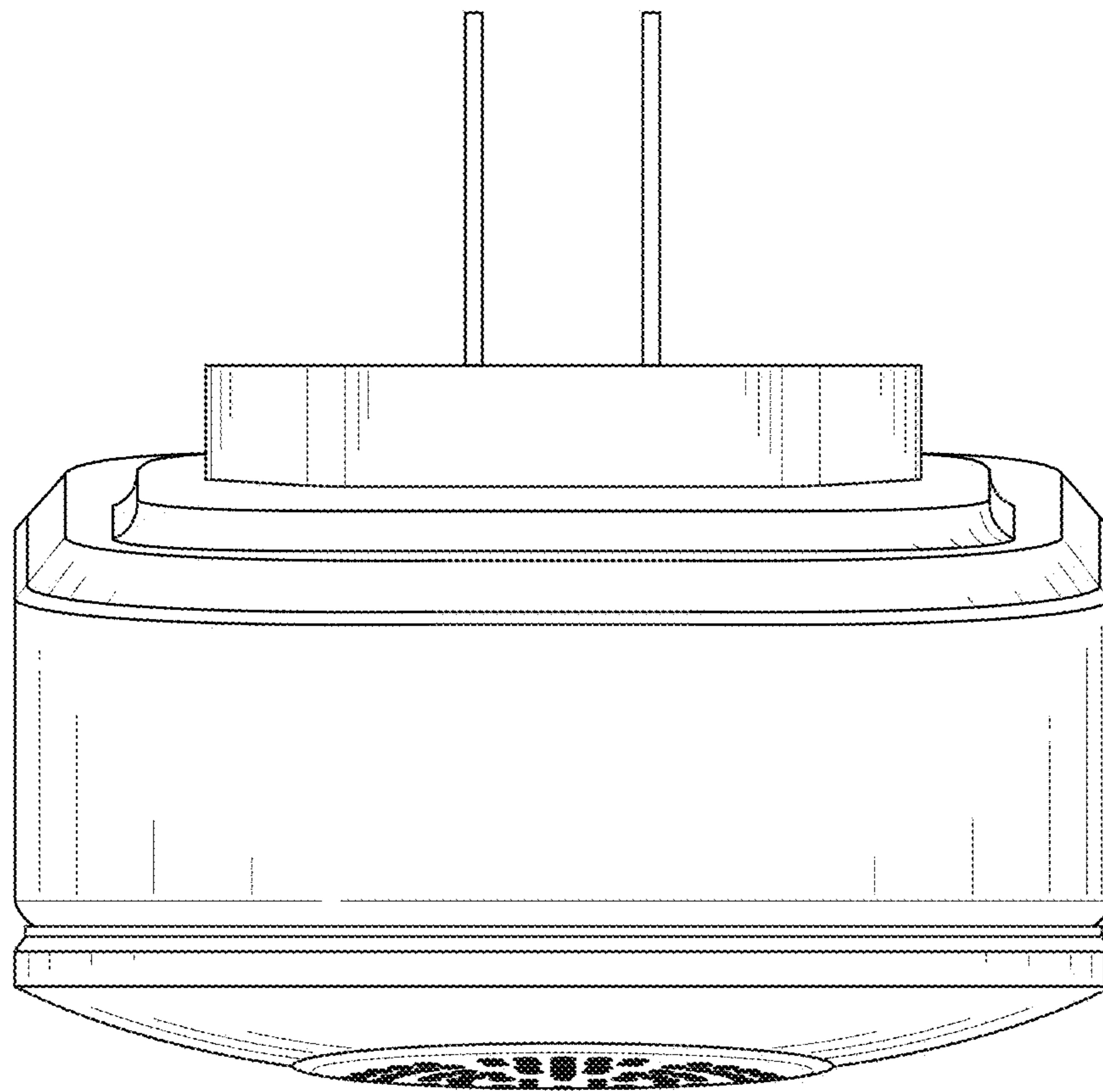


FIG. 7

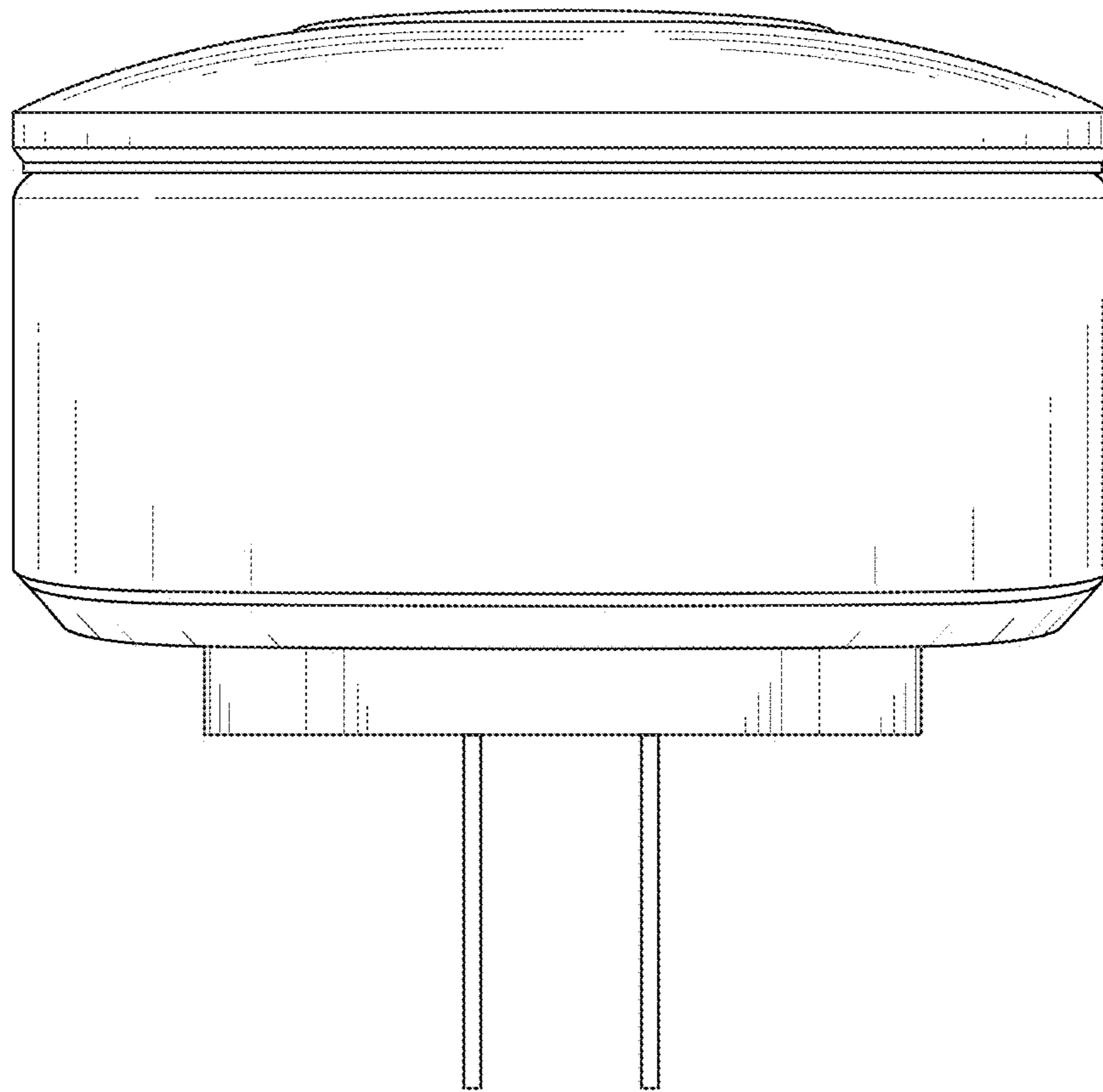


FIG. 8