



US00D982705S

(12) **United States Design Patent**
Zhang

(10) **Patent No.:** **US D982,705 S**

(45) **Date of Patent:** **** Apr. 4, 2023**

(54) **MOUSETRAP**

(71) Applicant: **Guo Zhang**, Fujian (CN)

(72) Inventor: **Guo Zhang**, Fujian (CN)

(**) Term: **15 Years**

(21) Appl. No.: **29/810,828**

(22) Filed: **Oct. 8, 2021**

(51) **LOC (14) Cl.** **22-06**

(52) **U.S. Cl.**
USPC **D22/119**

(58) **Field of Classification Search**

USPC D22/119; 43/58, 60–61, 69, 81

CPC A01M 23/00; A01M 23/02; A01M 23/24;
A01M 23/30; A01M 23/23245

See application file for complete search history.

(56) **References Cited**

U.S. PATENT DOCUMENTS

D552,208 S *	10/2007	O’Leary	D22/119
9,826,729 B2 *	11/2017	Albaugh	A01M 23/04
D842,422 S *	3/2019	Guerrie	D22/119
10,383,325 B2 *	8/2019	Moga	A01M 25/002
11,116,201 B1 *	9/2021	Melville, Jr.	A01M 23/10
D967,920 S *	10/2022	Chen	D22/119
D974,521 S *	1/2023	Tan	D22/119

OTHER PUBLICATIONS

https://www.amazon.com/Mouse-Trap-Bucket-Outdoor-Compatible/dp/B09SYT4PV4/ref=sr_1_2?crid=RGXVS8LNWPWT&keywords=mouse+trap+bucket+-bucket+lid+mouse%2Frat+trap%2C+auto+reset+multi+catch+humane+rat+trap&qid=1674944083&srefix=mouse+trap+bucket+-bucket+lid+mouse%2Frat+trap%2C+auto+reset+multi+catch+humane+rat+trap&qid=1674944124&srefix=

mouse+trap+bucket+-bucket+lid+mouse%2Frat+trap%2C+auto+reset+multi+catch+humane+rat+trap%2Caps%2C89&sr=8-2 (Year: 2021).*

* cited by examiner

Primary Examiner — Catherine R Oliver-Garcia

(74) *Attorney, Agent, or Firm* — ScienBiziP, P.C.

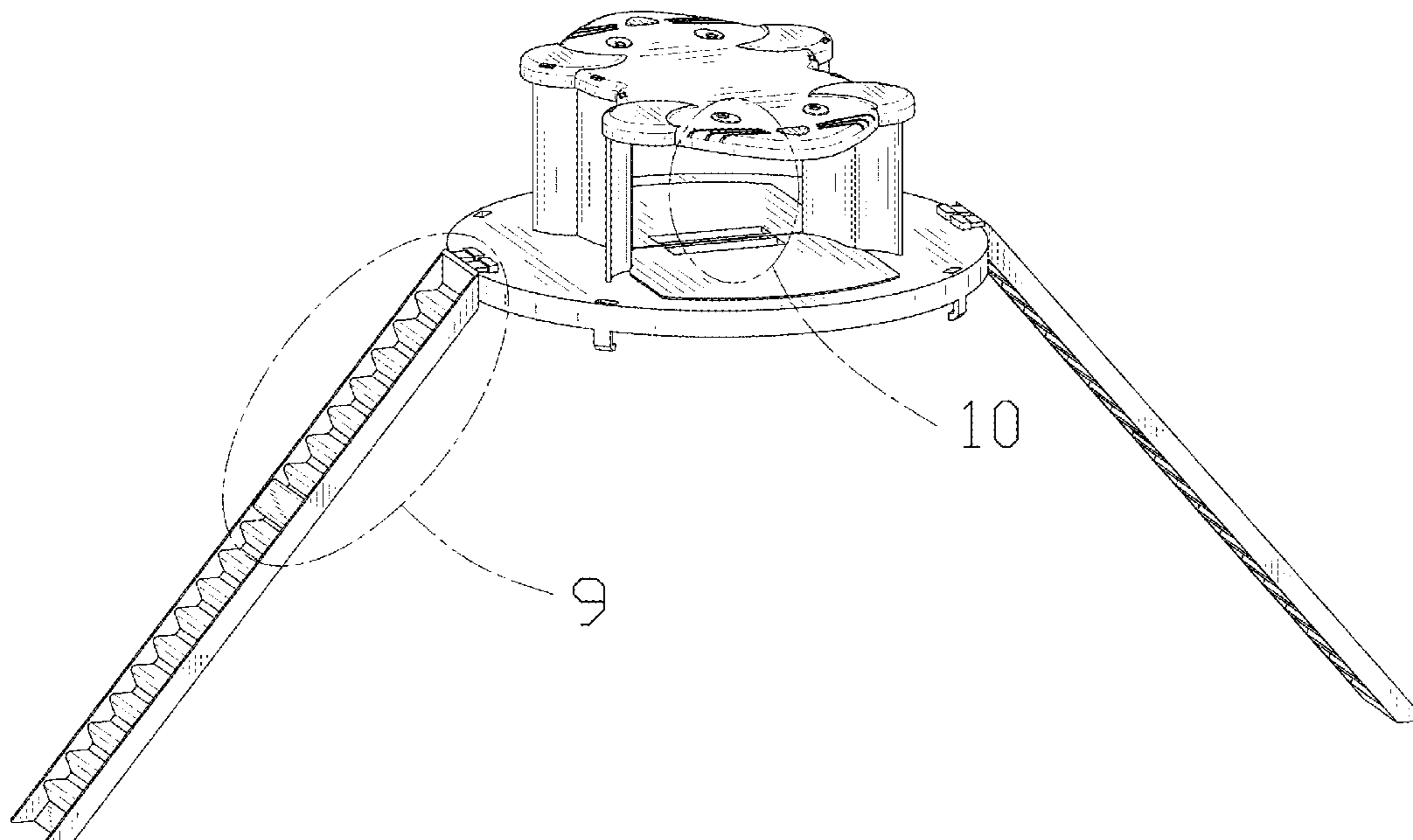
(57) **CLAIM**

The ornamental design for a mousetrap, as shown and described.

DESCRIPTION

FIG. 1 is a front, left, and top perspective view of a mousetrap, showing my design;
 FIG. 2 is a rear, left, and bottom perspective view thereof;
 FIG. 3 is a front elevation view thereof;
 FIG. 4 is a rear elevation view thereof;
 FIG. 5 is a left side elevation view thereof;
 FIG. 6 is a right side elevation view thereof;
 FIG. 7 is a top plan view thereof;
 FIG. 8 is a bottom plan view thereof;
 FIG. 9 is a partial enlarged view of an area labeled 9 in FIG. 1 comprising a bracket;
 FIG. 10 is a partial enlarged view of an area labeled 10 in FIG. 1 comprising parts of the design;
 FIG. 11 is a partial enlarged view of an area labeled 11 in FIG. 2 comprising a bracket; and,
 FIG. 12 is a rear, left, and bottom perspective view of mousetrap wherein the clip is partially opened.
 The broken lines shown in the drawings are included for the purpose of illustrating portions of the mousetrap that form no part of the claimed design.
 The dash-dot broken lines represent the boundaries of the enlarged portions and form no part of the claimed design.

1 Claim, 12 Drawing Sheets



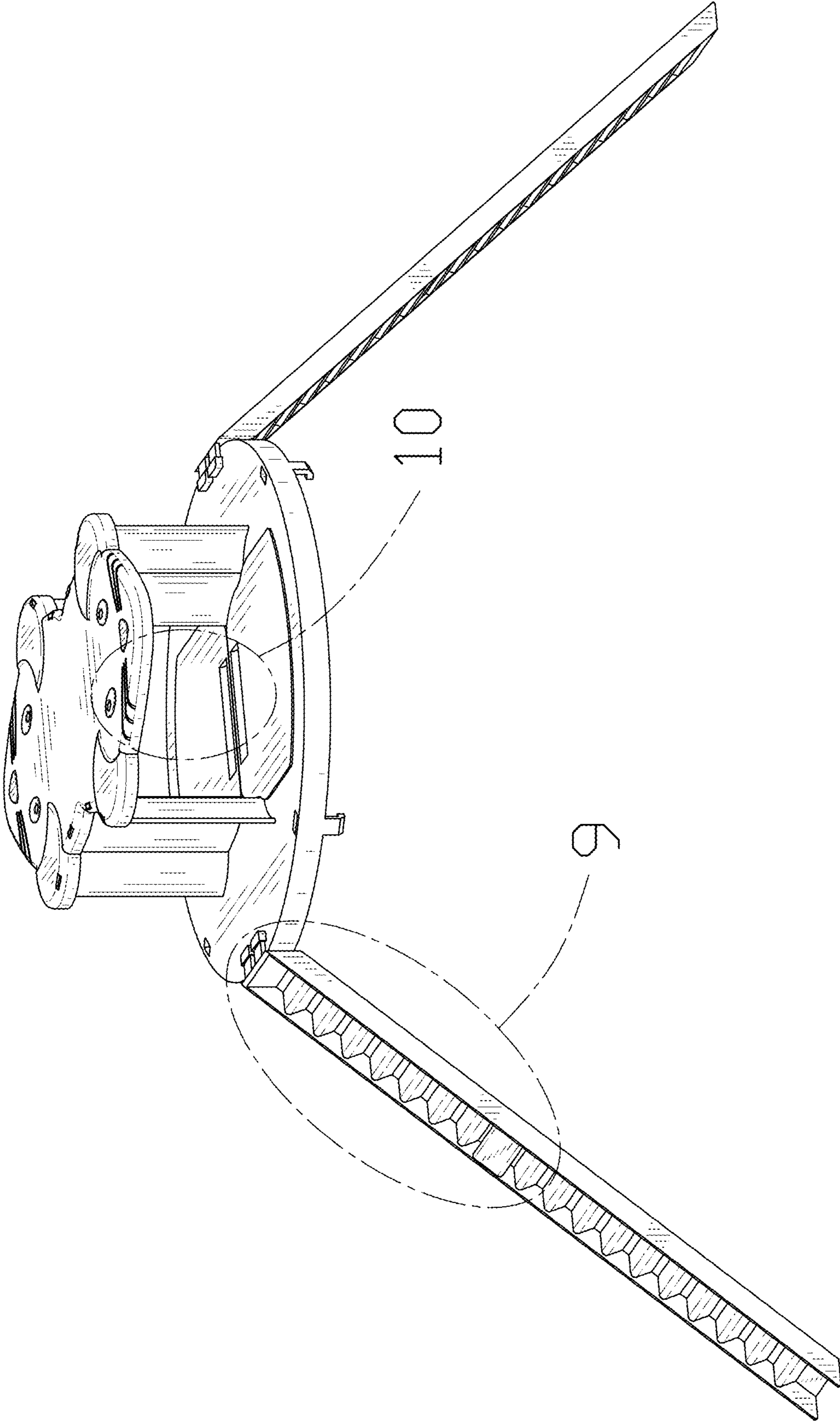


FIG. 1

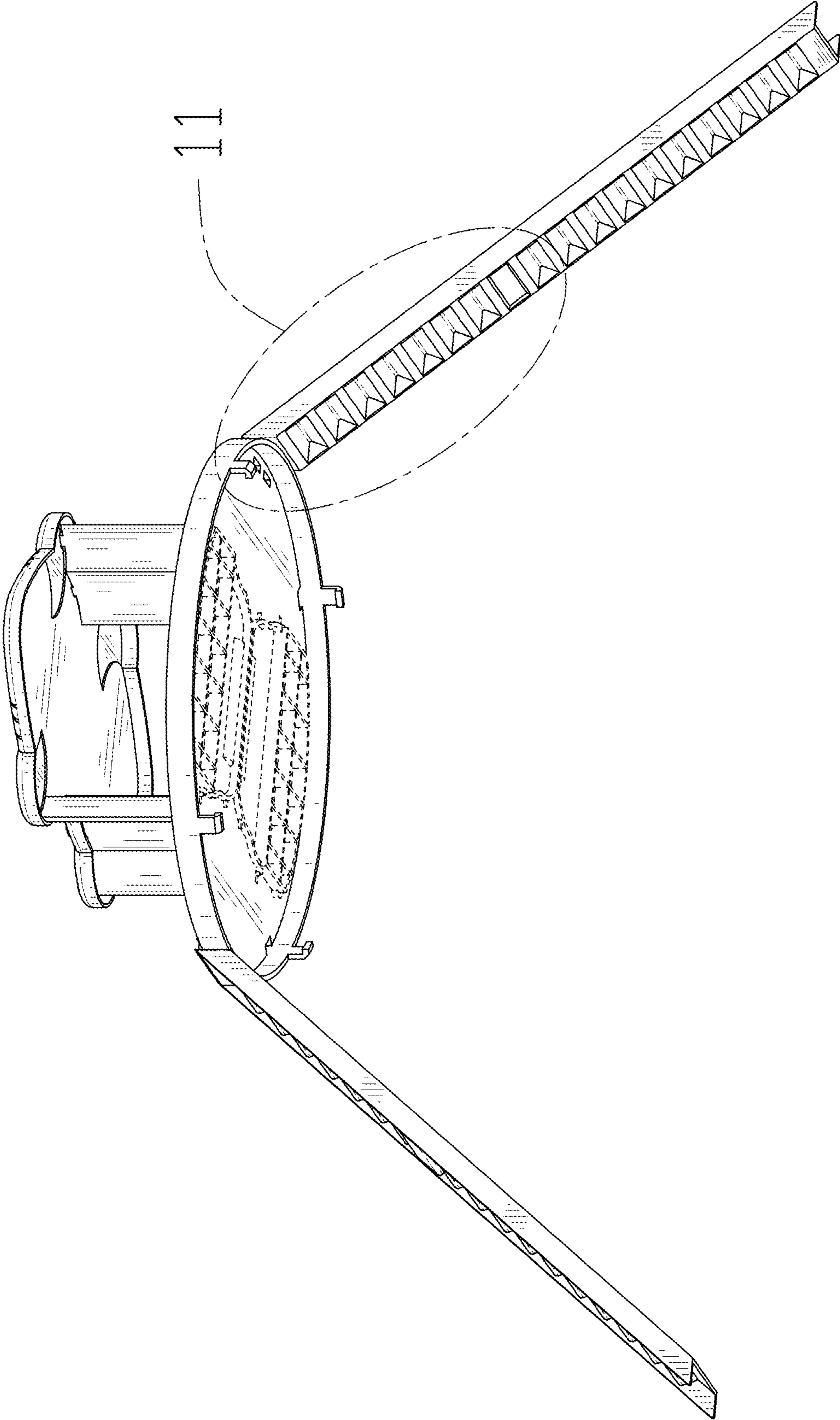


FIG. 2

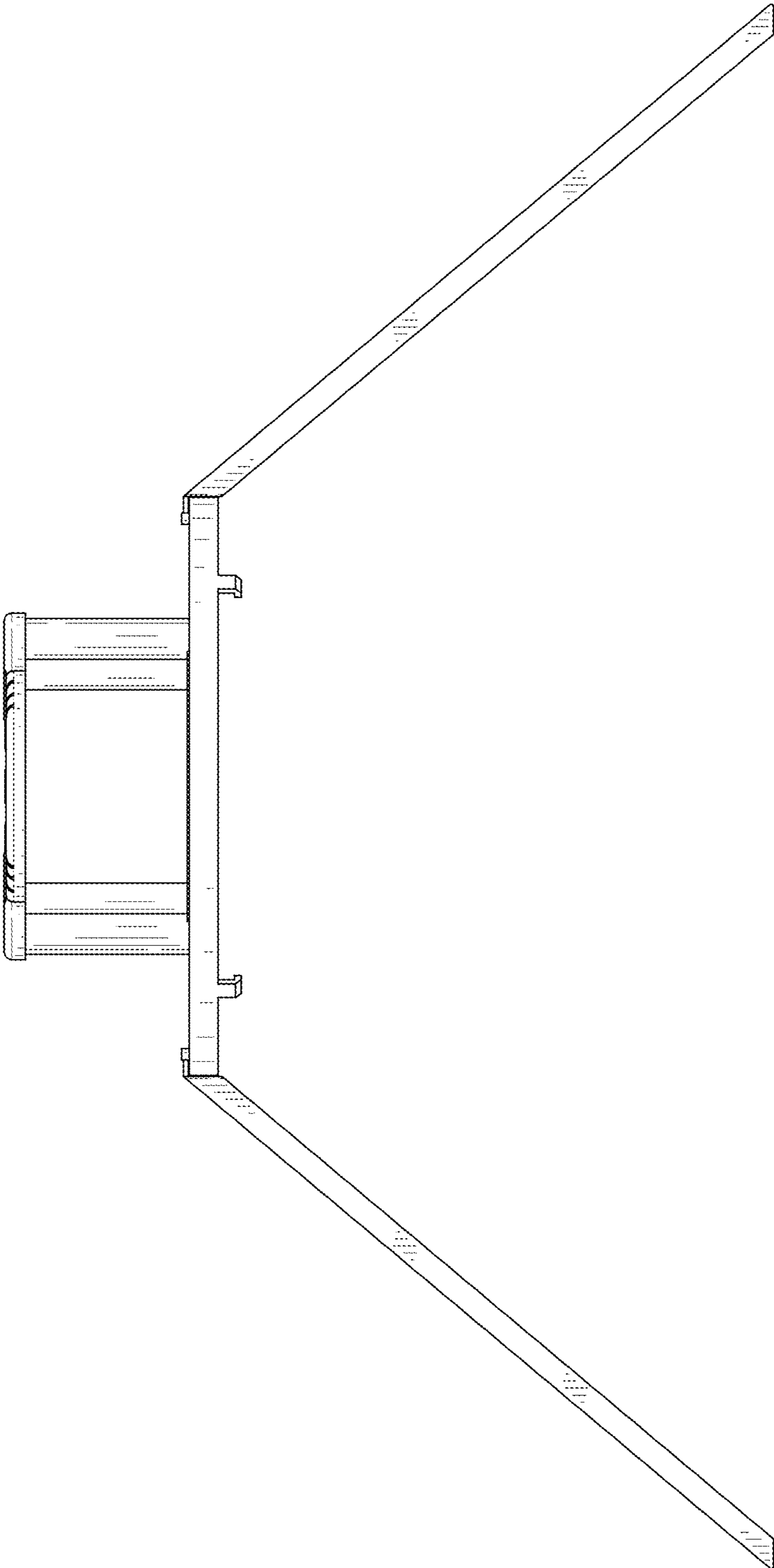


FIG. 3

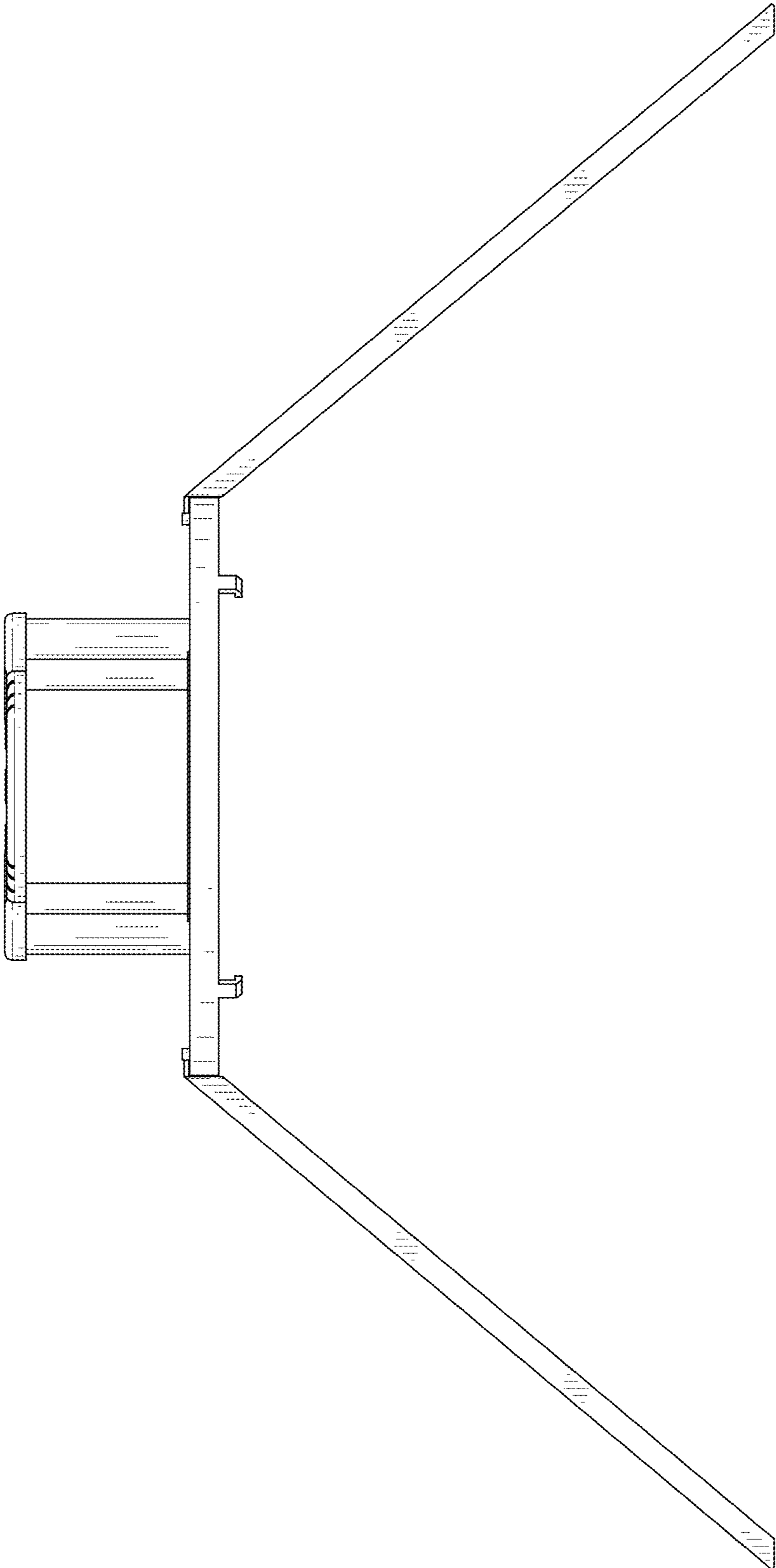


FIG. 4

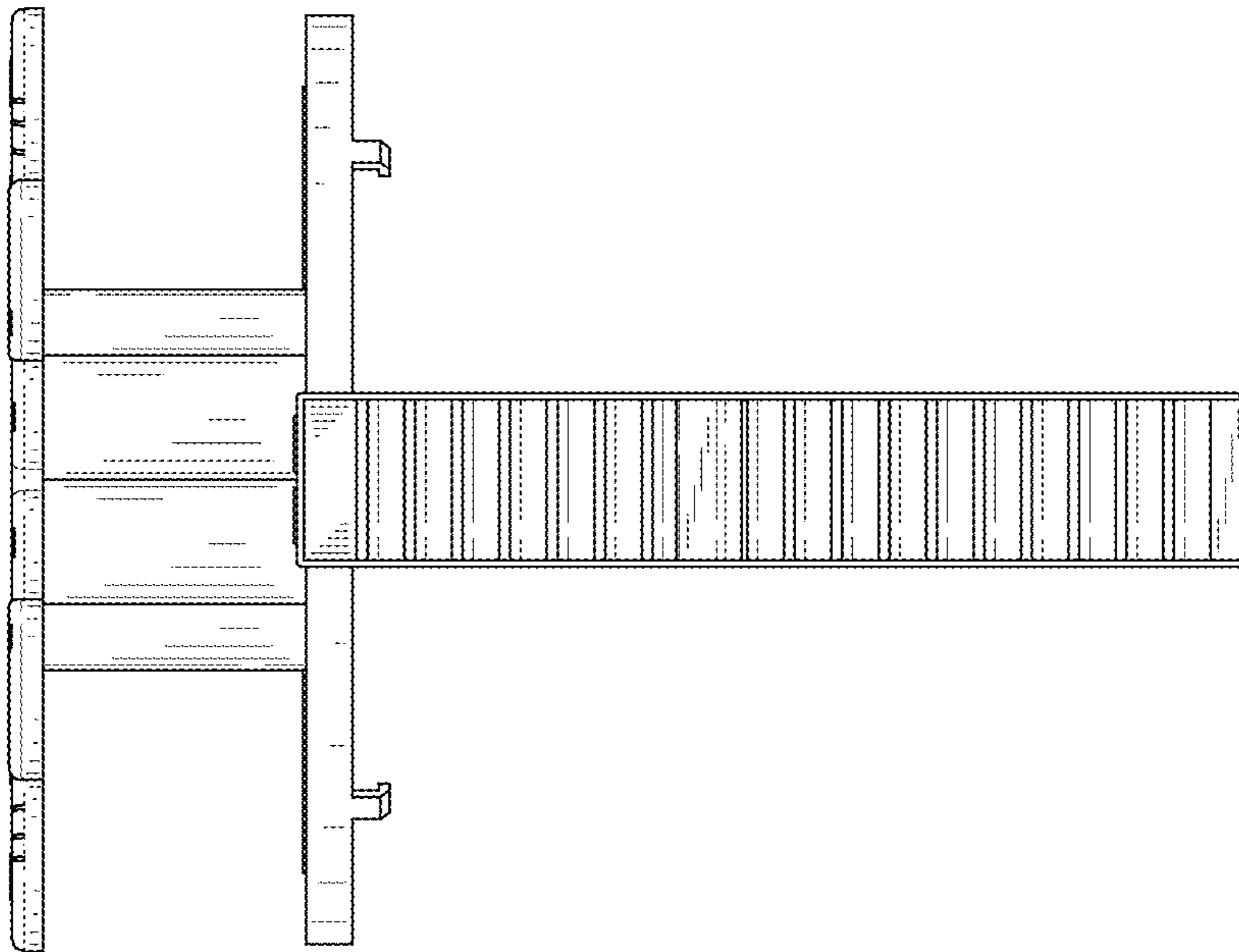


FIG. 5

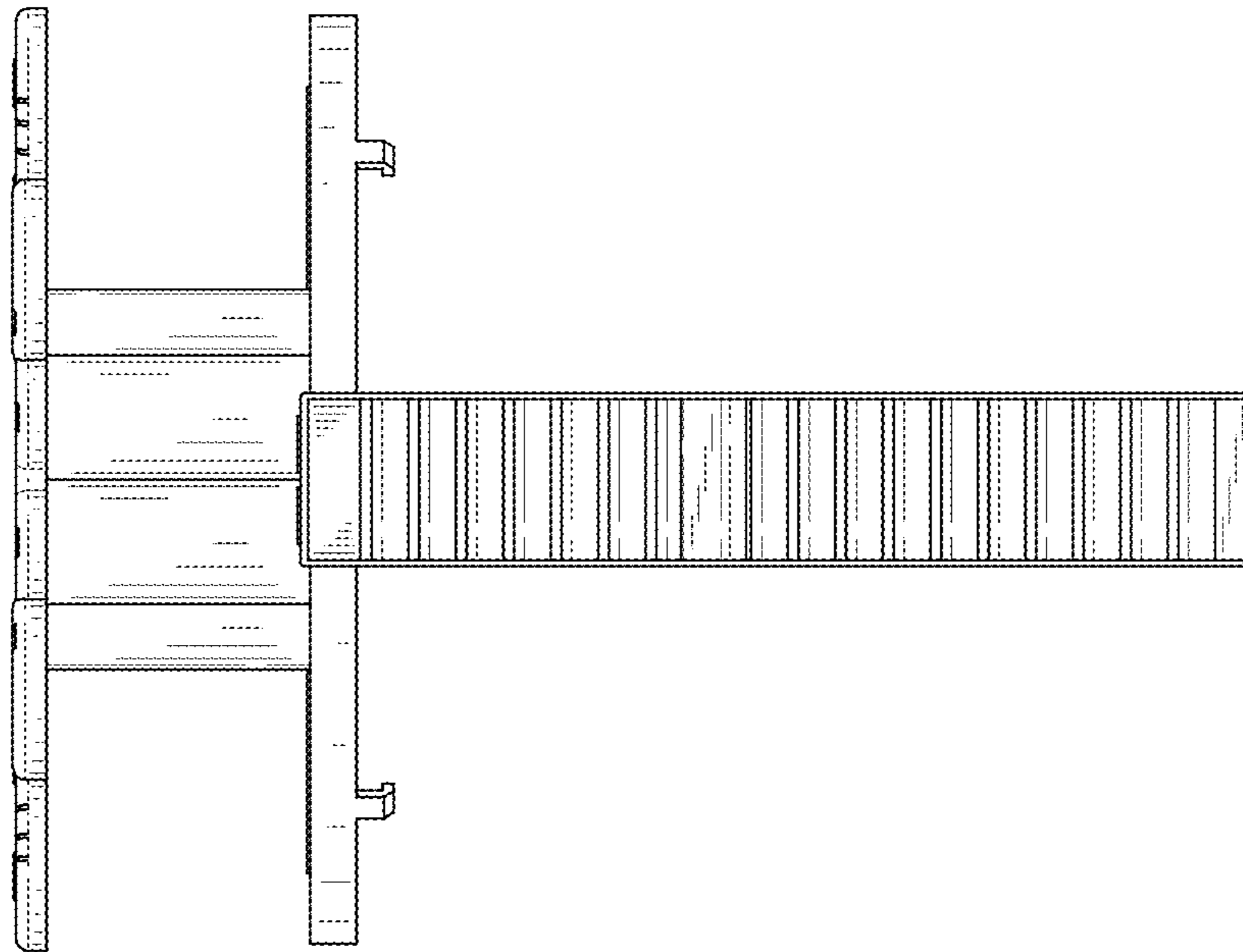


FIG. 6

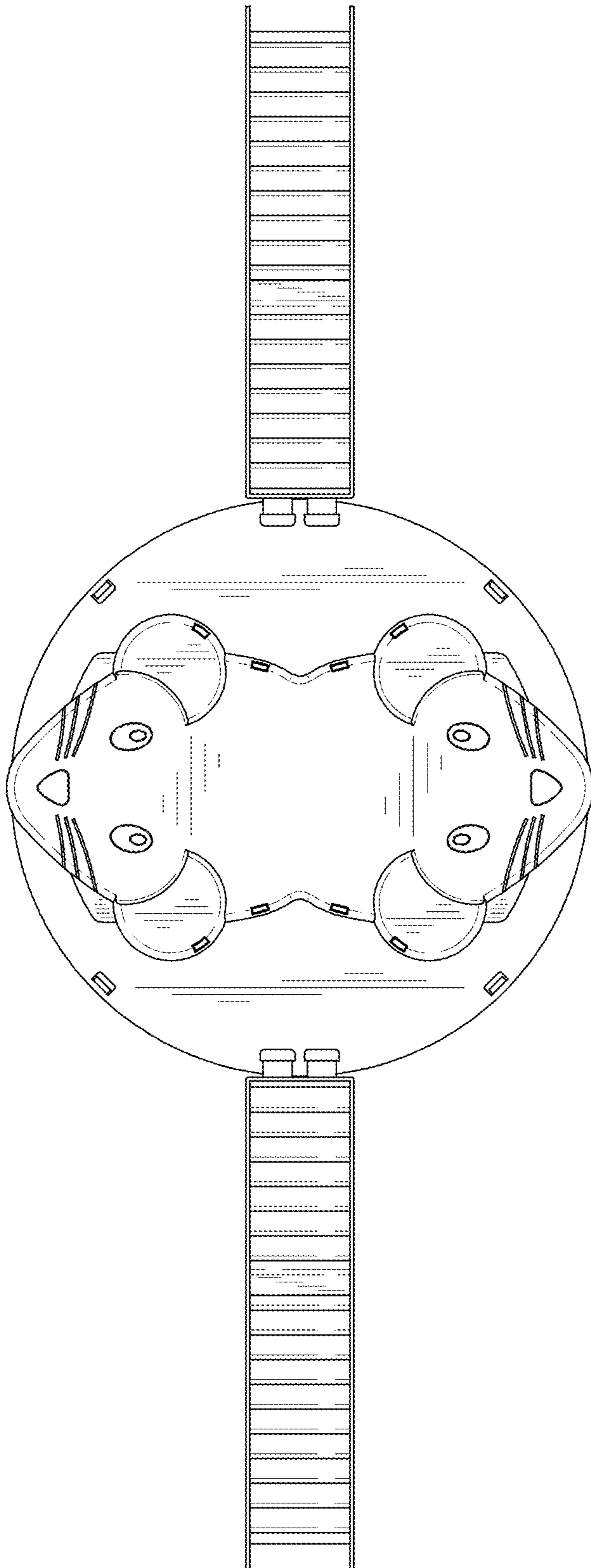


FIG. 7

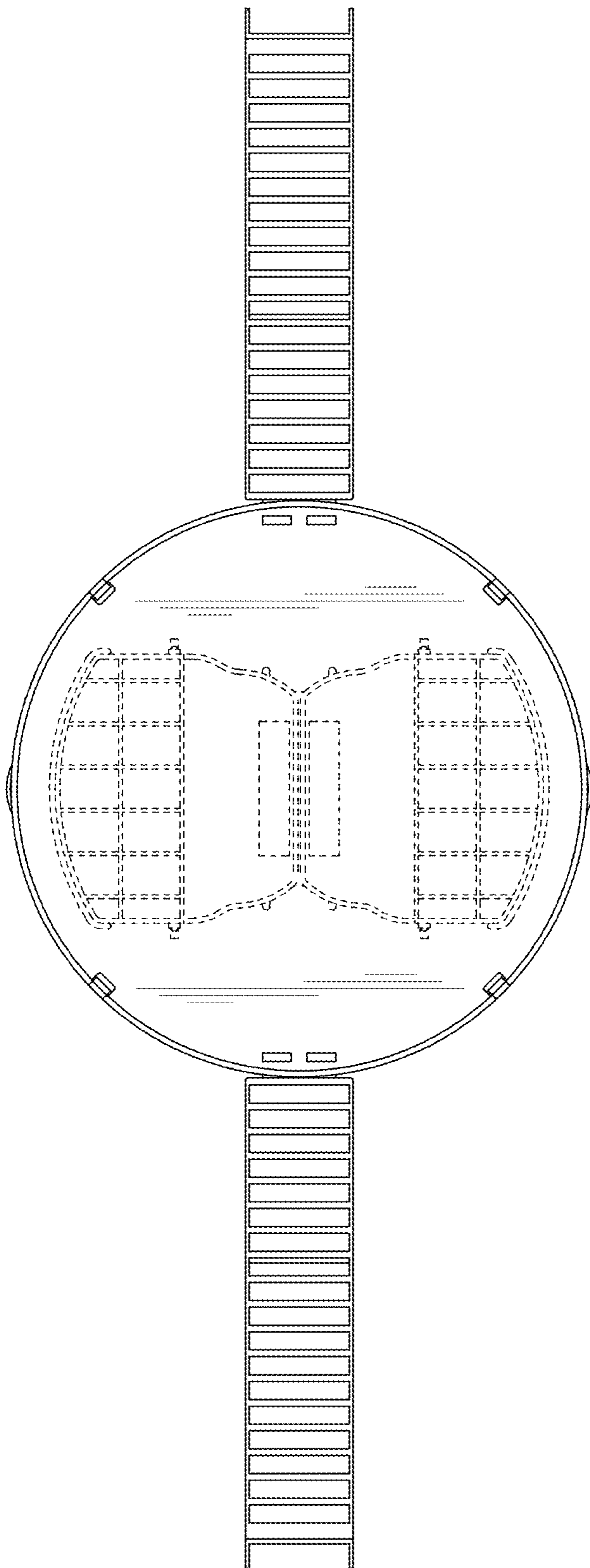


FIG. 8

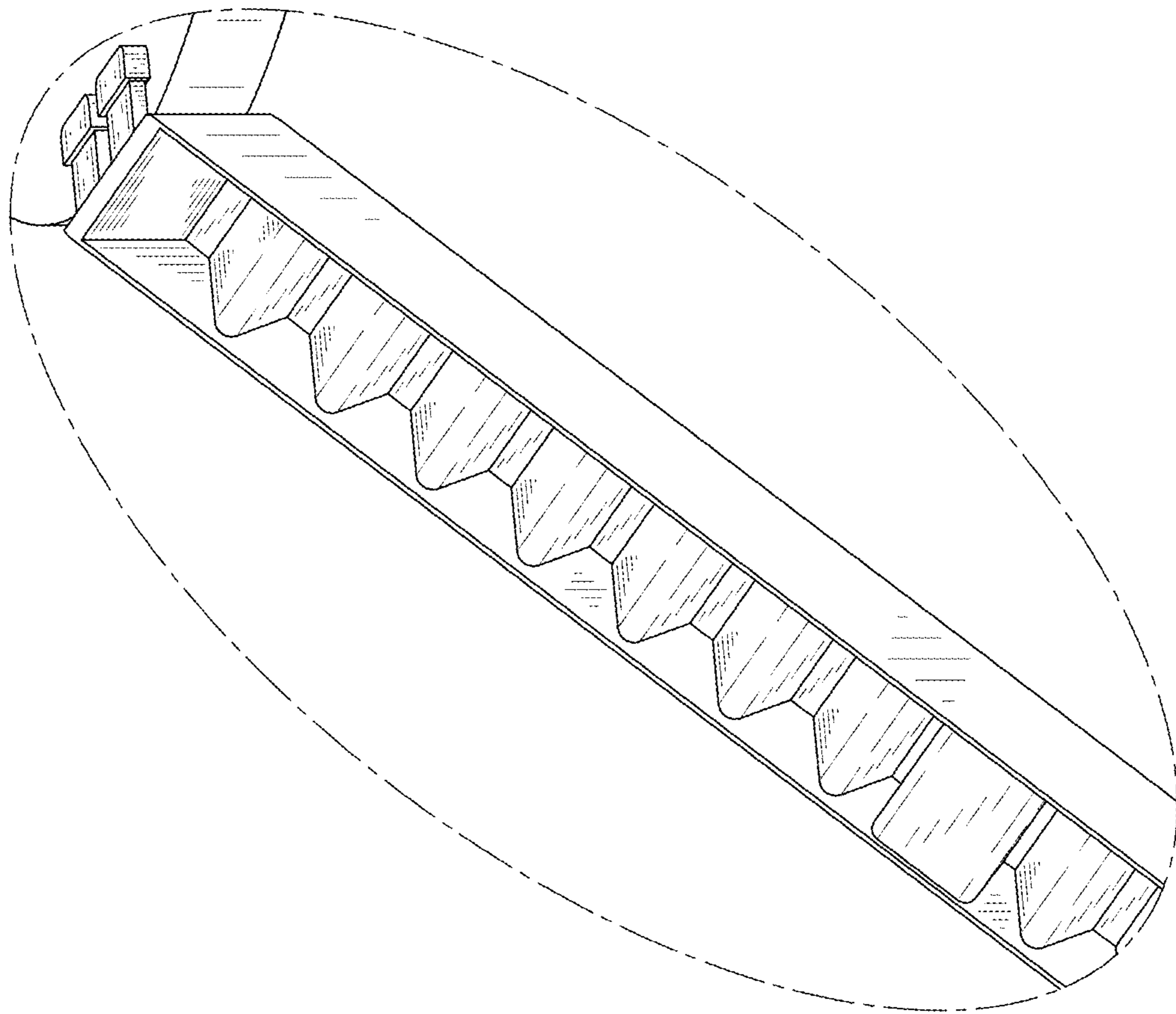


FIG. 9

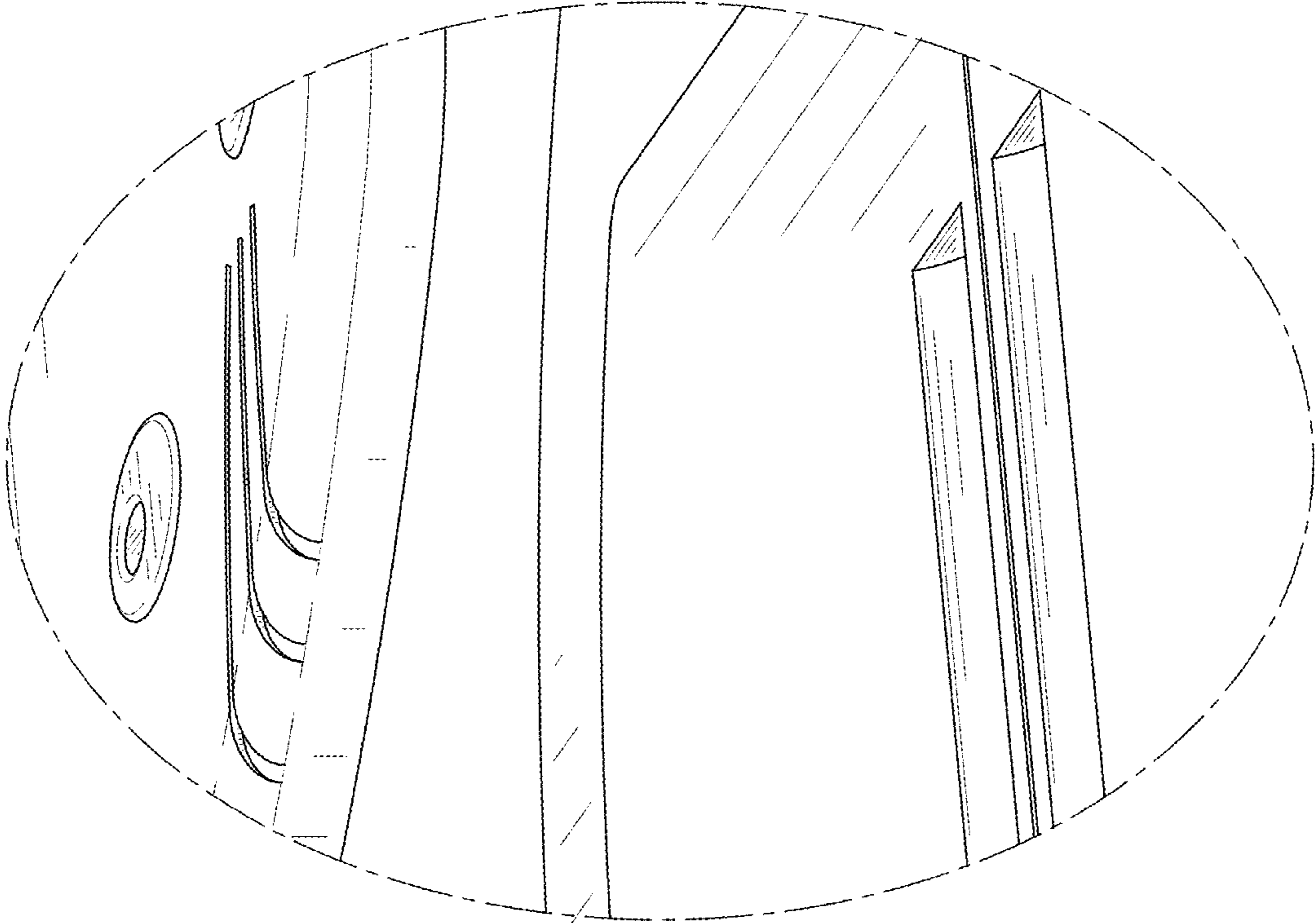


FIG. 10

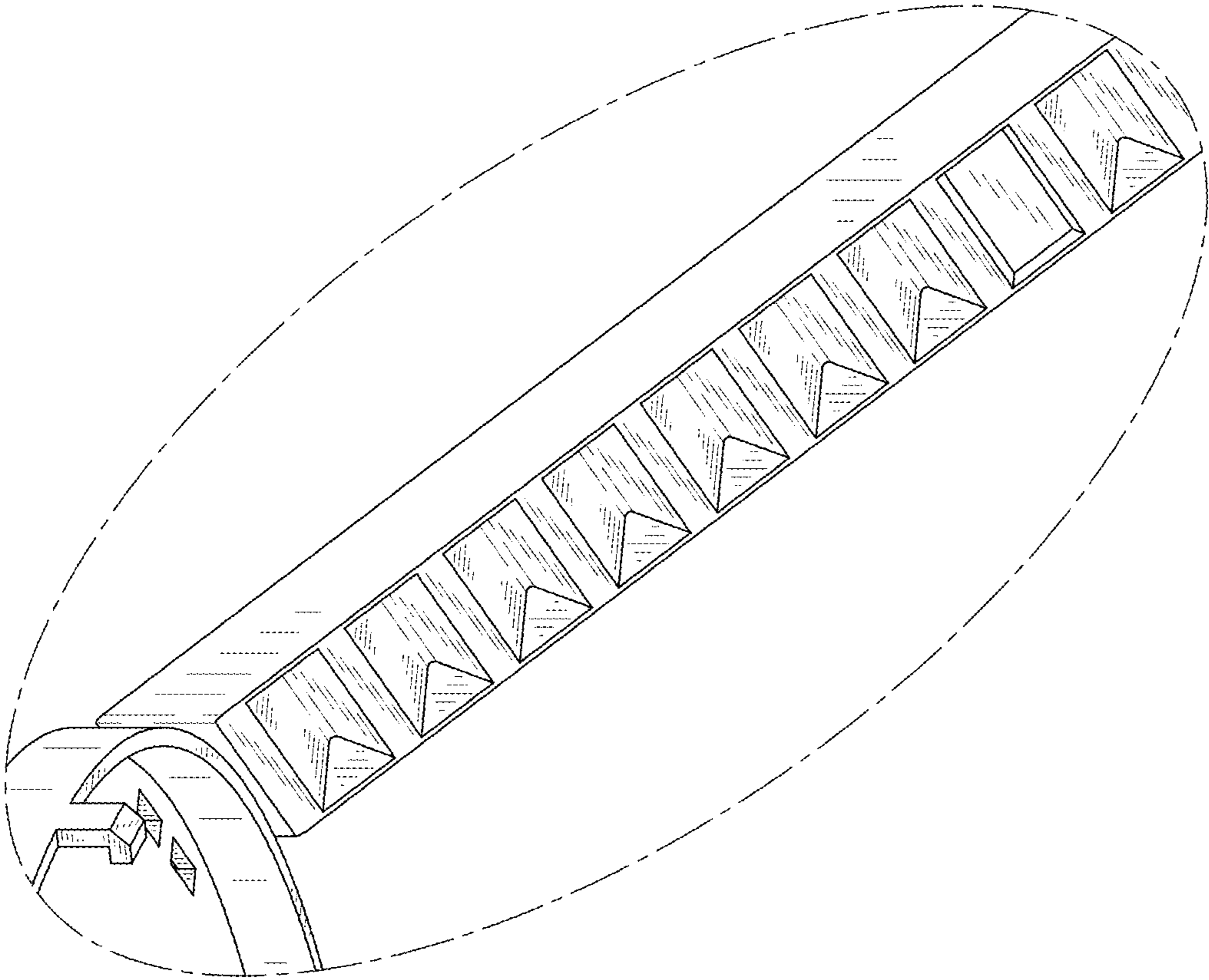


FIG. 11

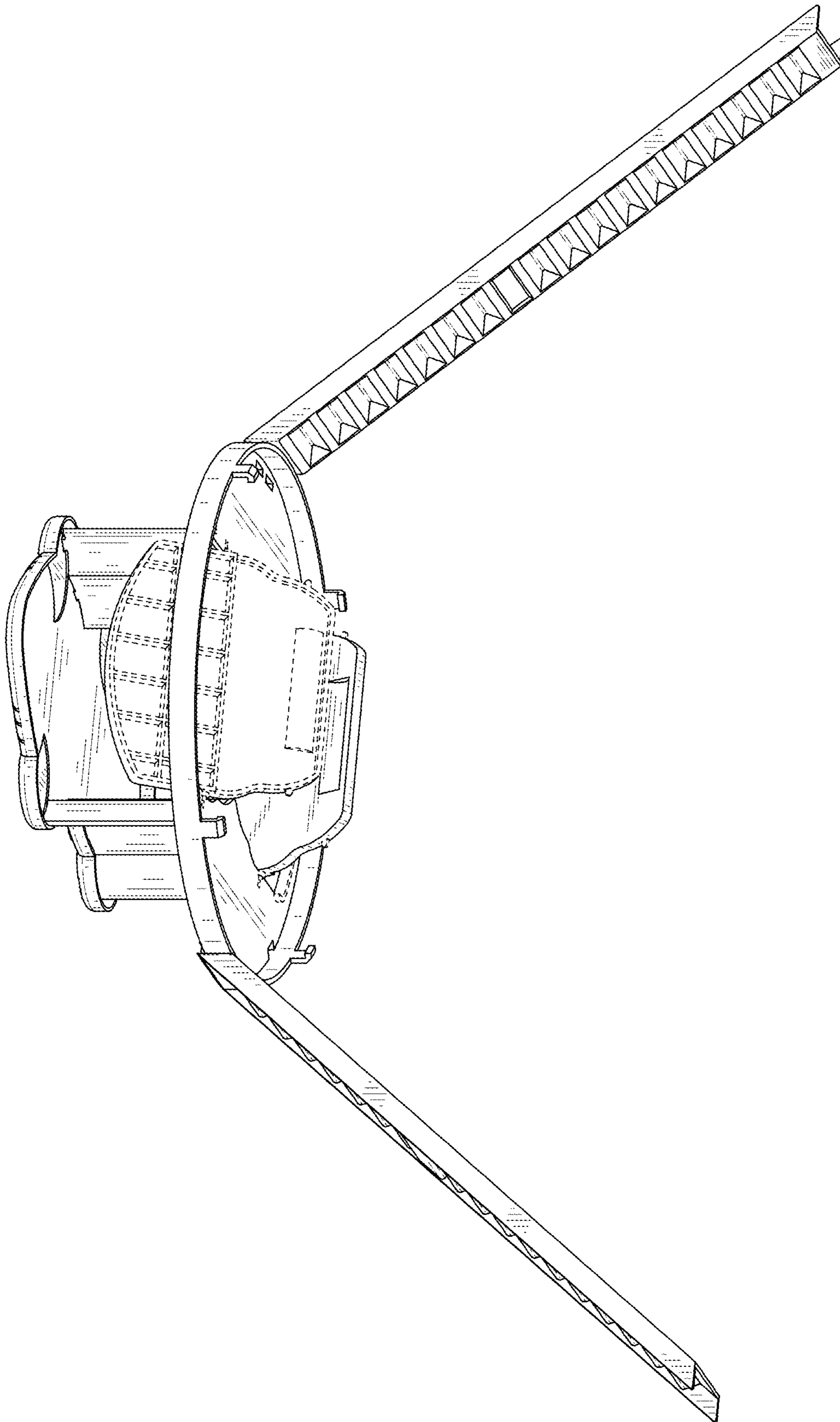


FIG. 12