



US00D982703S

(12) **United States Design Patent**
Passoni

(10) **Patent No.:** **US D982,703 S**

(45) **Date of Patent:** **** Apr. 4, 2023**

(54) **CARBINE**

(71) Applicant: **Matteo Passoni**, Gorgonzola (IT)

(72) Inventor: **Matteo Passoni**, Gorgonzola (IT)

(**) Term: **15 Years**

(21) Appl. No.: **35/513,964**

(22) Filed: **Mar. 25, 2022**

(80) **Hague Agreement Data**

Int. Filing Date: **Mar. 25, 2022**

Int. Reg. No.: **DM/219796**

Int. Reg. Date: **Mar. 25, 2022**

Int. Reg. Pub. Date: **Apr. 8, 2022**

(51) **LOC (14) Cl.** **22-01**

(52) **U.S. Cl.**
USPC **D22/103; D22/108**

(58) **Field of Classification Search**
USPC **D22/100, 101, 103, 104, 108, 109;**
D21/567, 570, 573, 574, 575
CPC **F41C 23/22; F41A 11/04**
See application file for complete search history.

(56) **References Cited**

U.S. PATENT DOCUMENTS

D563,501 S * 3/2008 Salva D22/109
D600,304 S * 9/2009 Fitzpatrick D22/109
D600,305 S * 9/2009 Fitzpatrick D22/109
D600,306 S * 9/2009 Fitzpatrick D22/109
D844,733 S * 4/2019 Mather D22/104
D868,190 S * 11/2019 Laney D21/573
D868,924 S * 12/2019 Nuss D22/108
10,788,287 B2 * 9/2020 Parker F41C 23/14
D914,828 S * 3/2021 Russell D22/108
D916,225 S * 4/2021 Laney D21/573

D945,553 S * 3/2022 Drake D22/108
2016/0178309 A1 * 6/2016 Drake F41A 3/22
42/14
2021/0140738 A1 * 5/2021 Lynch F41C 23/22

OTHER PUBLICATIONS

“Bumblebee” [online], batmachine.com. [Retrieved on Dec. 11, 2022], Retrieved from the Internet: <<https://www.batmachine.com/batactions/bumblebee-sa/>>.*

* cited by examiner

Primary Examiner — Mojtaba Tehrani

(57) **CLAIM**

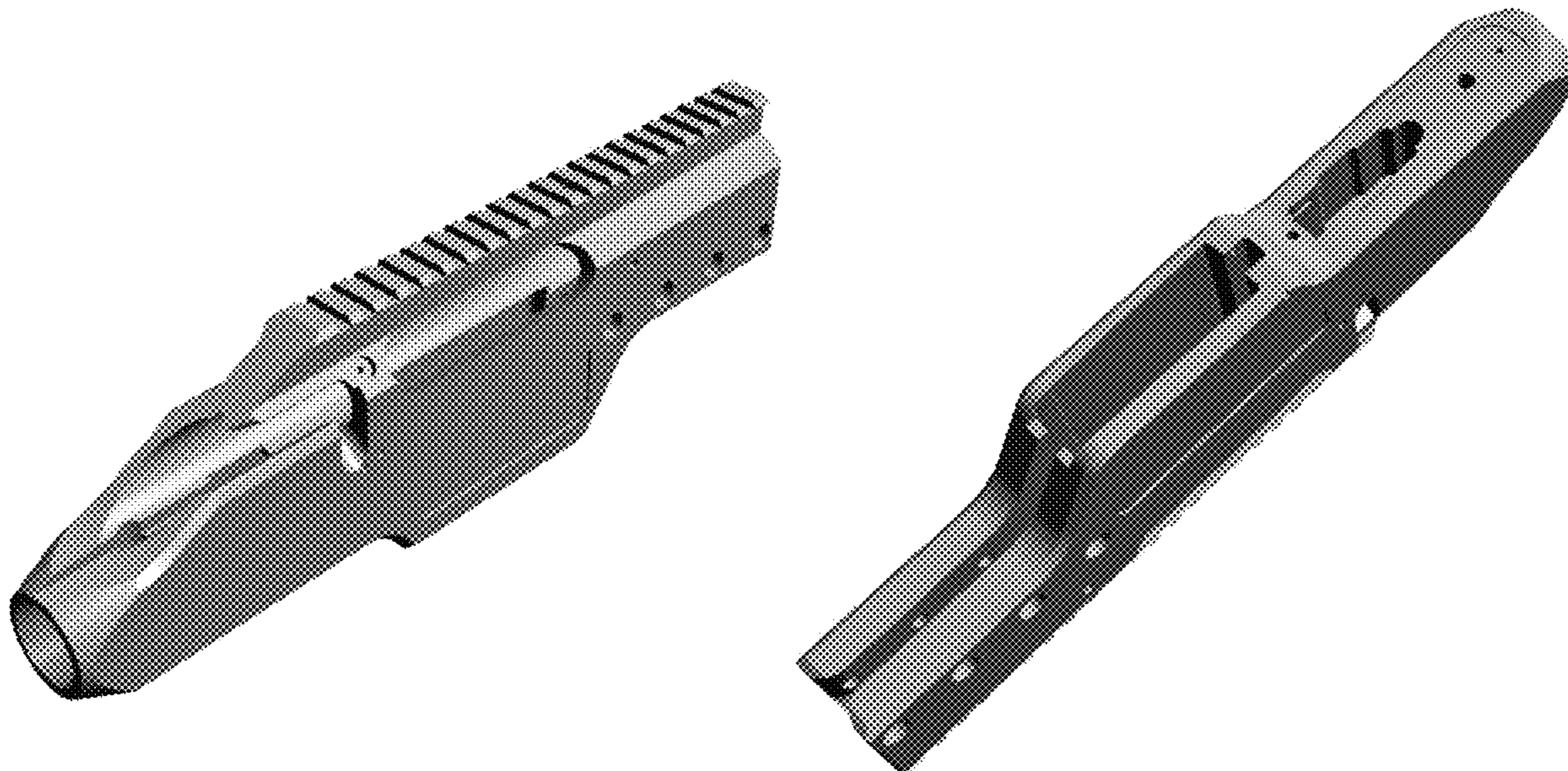
Ornamental design for a carbine, as shown and described.

DESCRIPTION

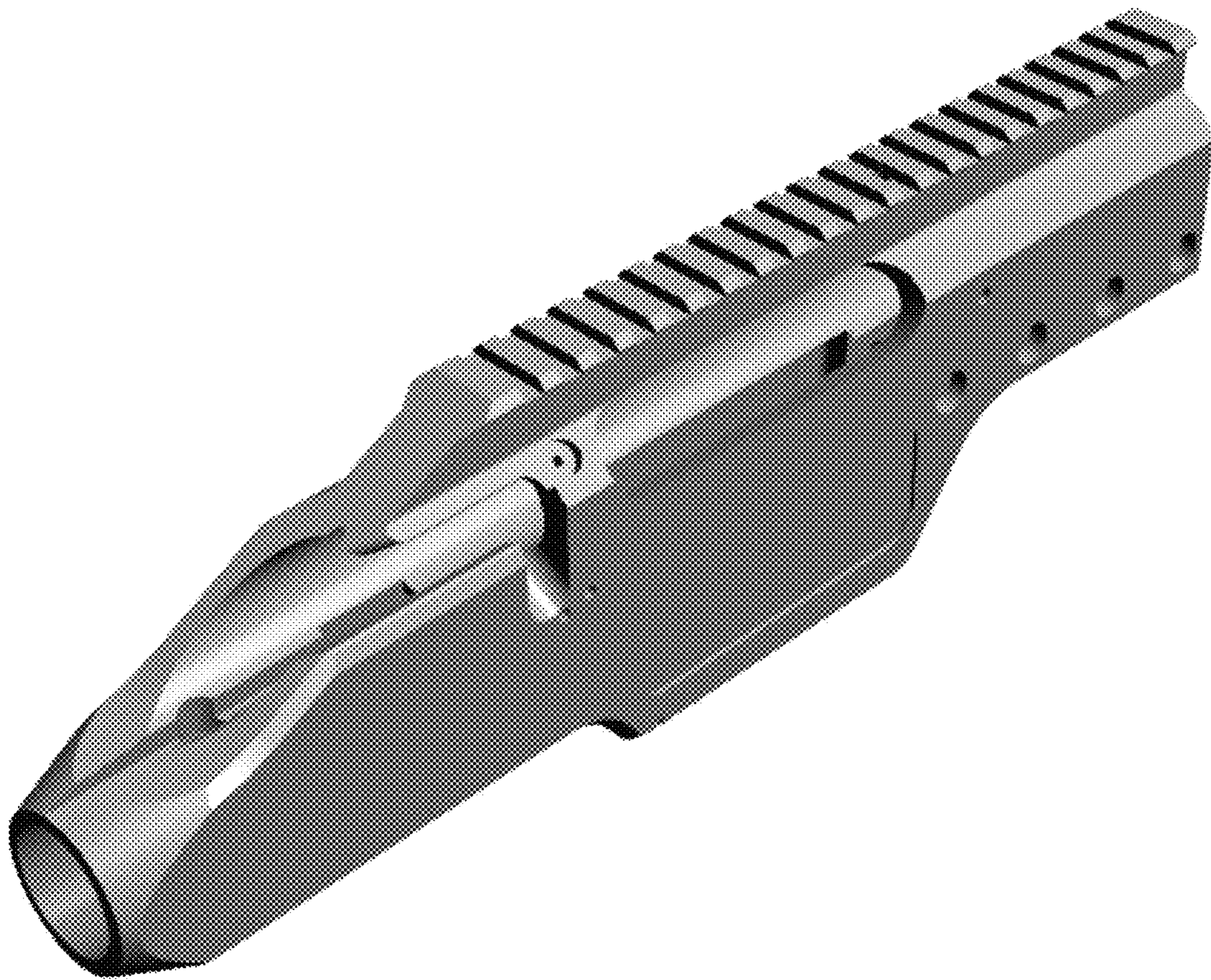
The patent or application file contains at least one drawing executed in color. Copies of this patent or patent application publication with color drawing(s) will be provided by the Office upon request and payment of the necessary fee.

- 1. Carbine
- 1.1 : Top perspective view;
- 1.2 : Top perspective view;
- 1.3 : Front view;
- 1.4 : Rear view;
- 1.5 : Bottom perspective view;
- 1.6 : Bottom perspective view;
- 1.7 : Side view;
- 1.8 : Side view;
- 1.9 : Top view;
- 1.10 : Bottom view.

1 Claim, 10 Drawing Sheets
(4 of 10 Drawing Sheet(s) Filed in Color)



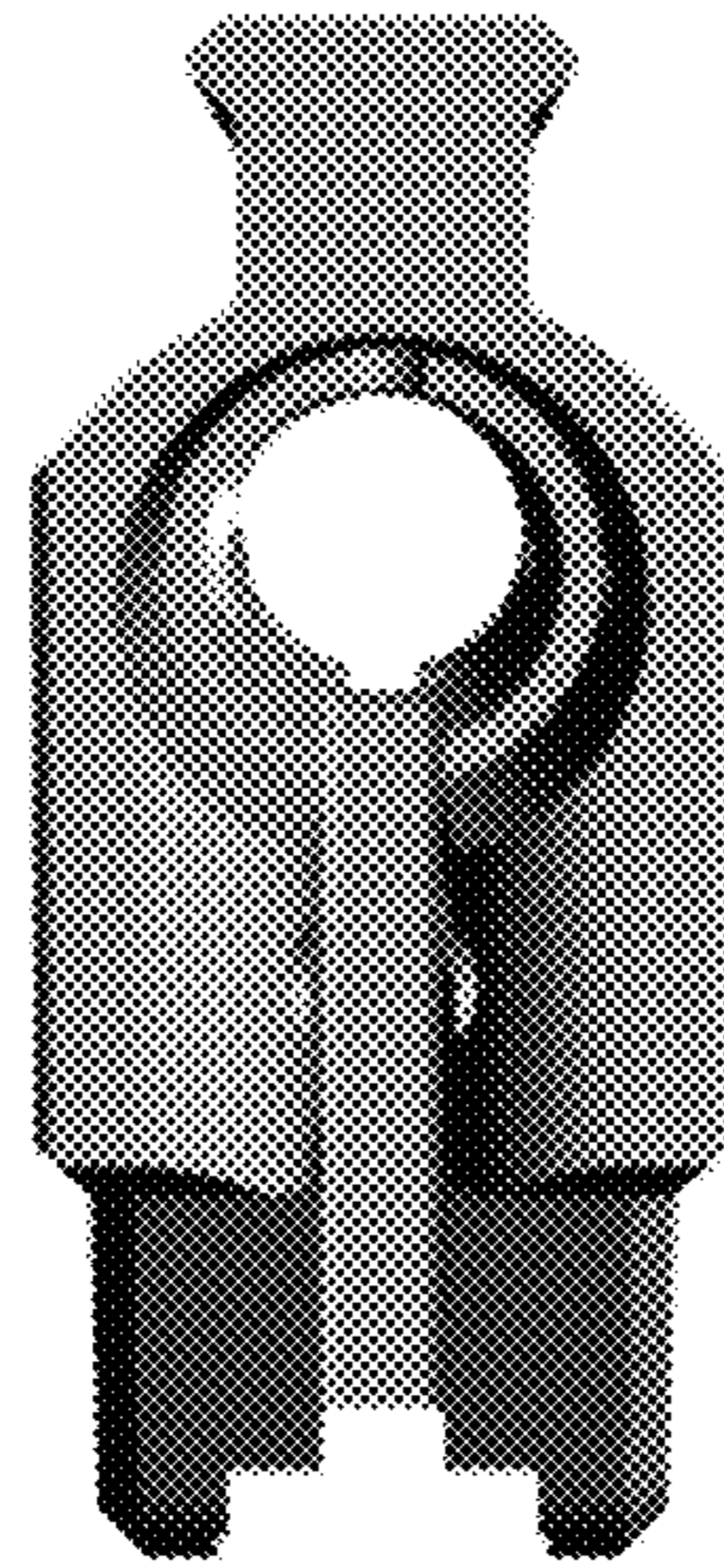
1.1



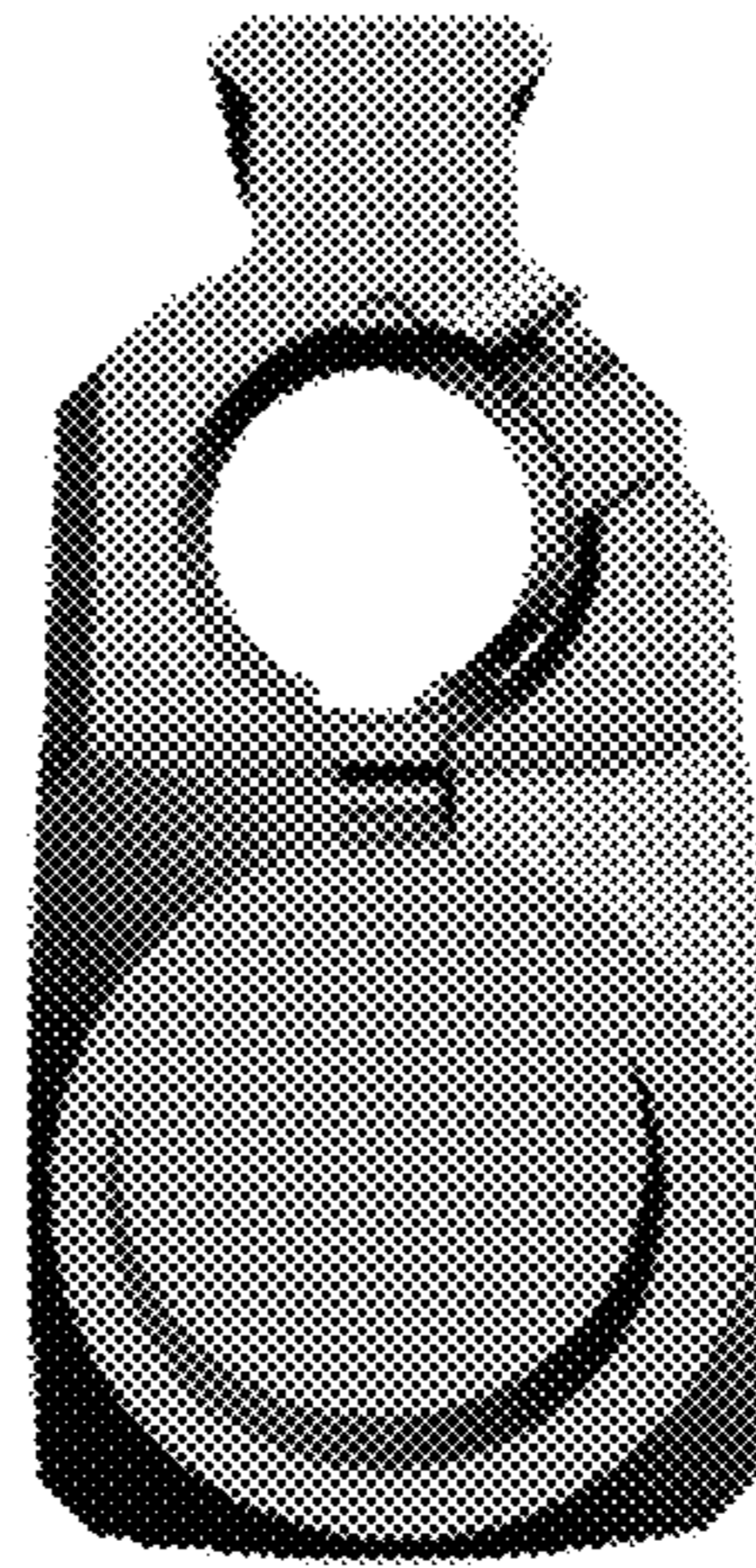
1.2



1.3



1.4



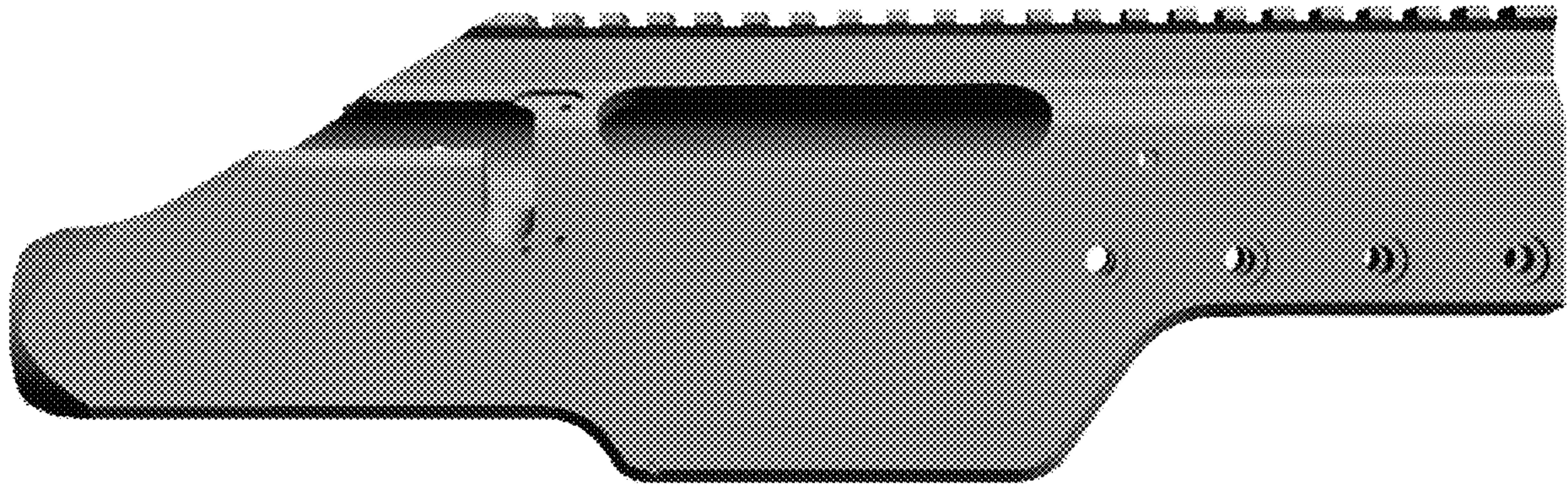
1.5



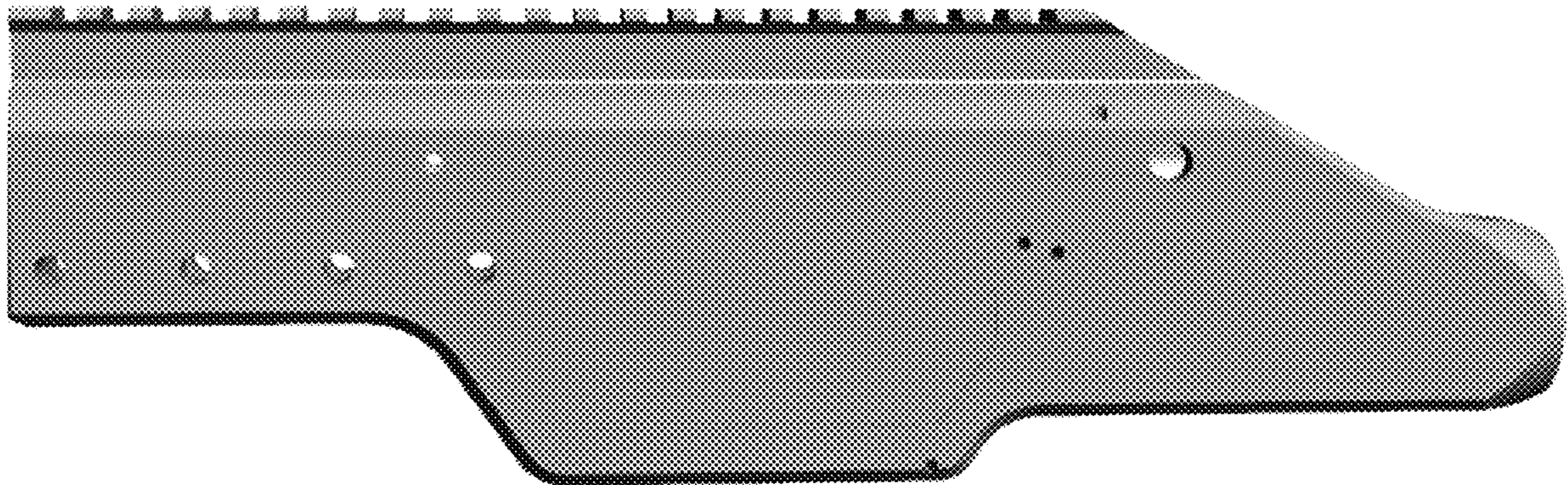
1.6



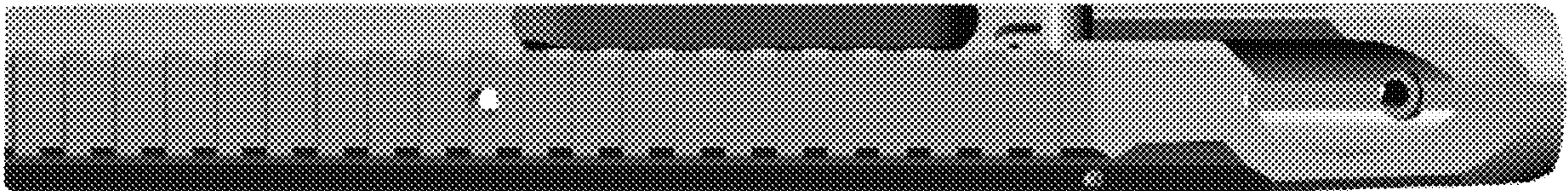
1.7



1.8



1.9



1.10

