



US00D982702S

(12) **United States Design Patent** (10) **Patent No.:** **US D982,702 S**  
**Wang et al.** (45) **Date of Patent:** **\*\* Apr. 4, 2023**

(54) **OUTDOOR CANOPY**

(71) Applicant: **MAXLEAD INNOVATIONS**  
**(CHENGDU) CO., LTD**, Chengdu  
(CN)

(72) Inventors: **Chanyu Wang**, Chengdu (CN); **Yujiao Liang**, Chengdu (CN)

(73) Assignee: **MAXLEAD INNOVATIONS**  
**(CHENGDU) CO., LTD**, Chengdu  
(CN)

(\*\*) Term: **15 Years**

(21) Appl. No.: **29/845,745**

(22) Filed: **Jul. 11, 2022**

(51) **LOC (14) Cl.** ..... **21-04**

(52) **U.S. Cl.**  
USPC ..... **D21/834**

(58) **Field of Classification Search**  
USPC ..... D21/834-839; D25/56  
CPC ..... E04H 15/00; E04H 15/18; E04H 15/44;  
E04H 15/54; E04H 15/58; E04H 15/64  
See application file for complete search history.

(56) **References Cited**

**U.S. PATENT DOCUMENTS**

D98,770 S *	3/1936	Huson	.....	D21/837
D281,514 S *	11/1985	Messmer	.....	D21/352
D377,822 S *	2/1997	Lichia	.....	D21/834
5,671,766 A *	9/1997	Williams	.....	E04H 15/48 135/144
D416,304 S *	11/1999	Rodolfo	.....	D21/834
D470,560 S *	2/2003	Han	.....	D21/837
D603,057 S *	10/2009	VanElverdinghe	.....	D25/56
D844,824 S	4/2019	LeMoine et al.		
D884,815 S *	5/2020	Hu	.....	D21/837

D902,832 S	11/2020	Anderson et al.		
2007/0094947 A1 *	5/2007	Greenfeld	.....	E04H 15/44 52/79.1
2010/0326485 A1 *	12/2010	Li	.....	E04H 15/44 135/117

(Continued)

**OTHER PUBLICATIONS**

Peaktop Outdoor 20'x20' Party Tent, Reviewed and online as early as Jul. 26, 2020 [online], [site visited Jan. 28, 2023]. Available from Internet: <URL:https://www.amazon.com/dp/B085VKDVFZ/> (Year: 2020).\*

(Continued)

*Primary Examiner* — Cynthia M. Chin

(74) *Attorney, Agent, or Firm* — Daniel M. Cohn;  
Howard M. Cohn

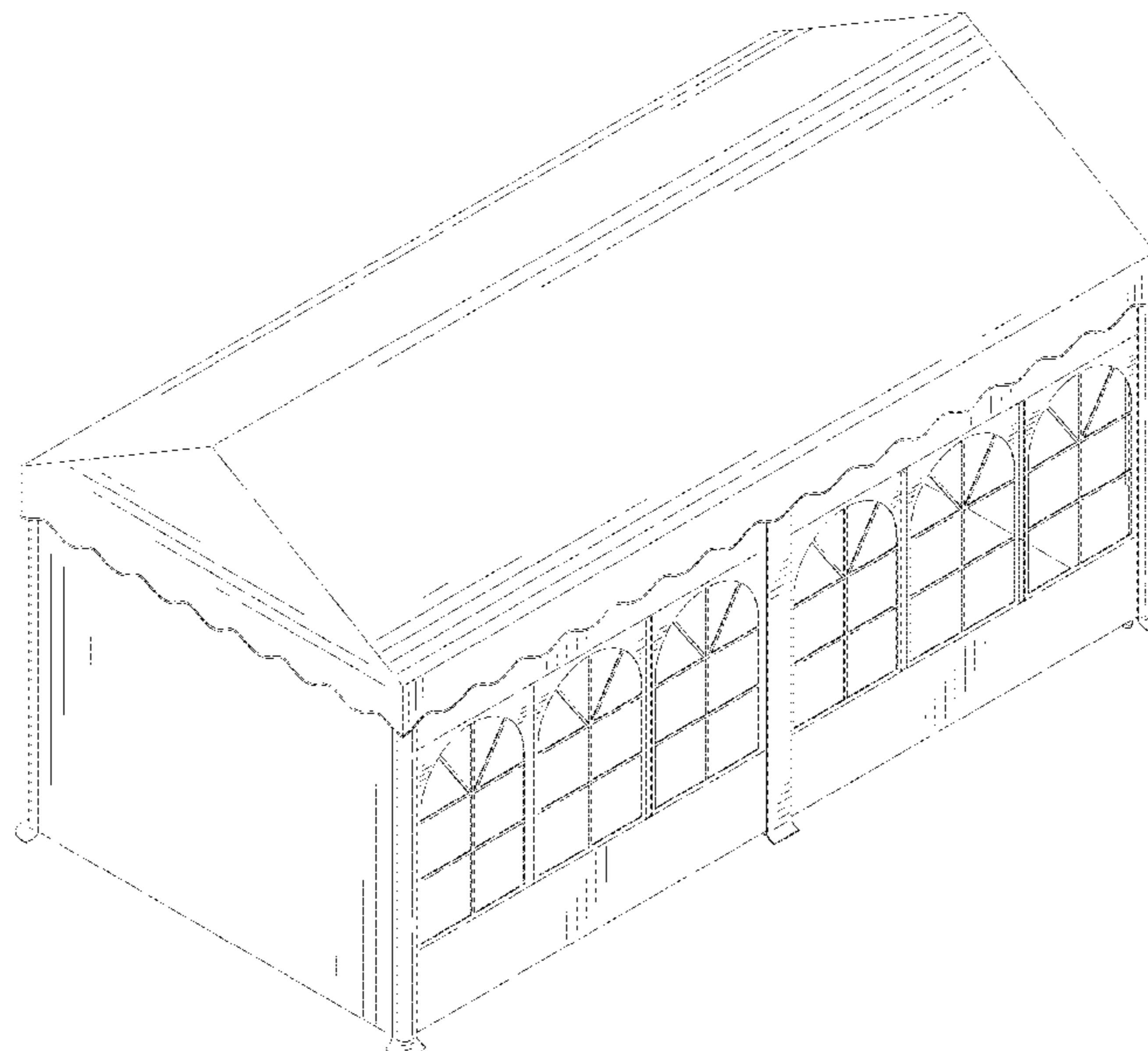
(57) **CLAIM**

The ornamental design for an outdoor canopy, as shown and described.

**DESCRIPTION**

FIG. 1 is a perspective view of an outdoor canopy showing our new design;  
FIG. 2 is another perspective view thereof;  
FIG. 3 is a front elevational view thereof;  
FIG. 4 is a rear elevational view thereof;  
FIG. 5 is a left side elevational view thereof;  
FIG. 6 is a right side elevational view thereof;  
FIG. 7 is a top plan view thereof;  
FIG. 8 is a bottom plan view thereof;  
FIG. 9 is an enlarged partial view a portion of the corner post taken from FIG. 2; and,  
FIG. 10 is an enlarged partial view of a portion of the window taken from FIG. 2.  
The dash-dash broken lines in the drawings depict portions of the outdoor canopy that form no part of the claimed design. The dot-dash broken lines represent boundaries of the enlarged portions and form no part of the claimed design.

**1 Claim, 10 Drawing Sheets**



(56)

**References Cited**

U.S. PATENT DOCUMENTS

2011/0023921 A1\* 2/2011 Li ..... E04H 15/44  
135/93  
2012/0067389 A1\* 3/2012 Lin ..... E04H 15/16  
135/121  
2016/0340927 A1\* 11/2016 Rizzotto ..... E04H 15/32

OTHER PUBLICATIONS

American Phoenix 20×20 Party Tent, Reviewed and online as early as Mar. 21, 2021 [online], [site visited Jan. 28, 2023]. Available from Internet: <URL: <https://www.amazon.com/dp/B00NY49W80/>> (Year: 2021).\*

\* cited by examiner

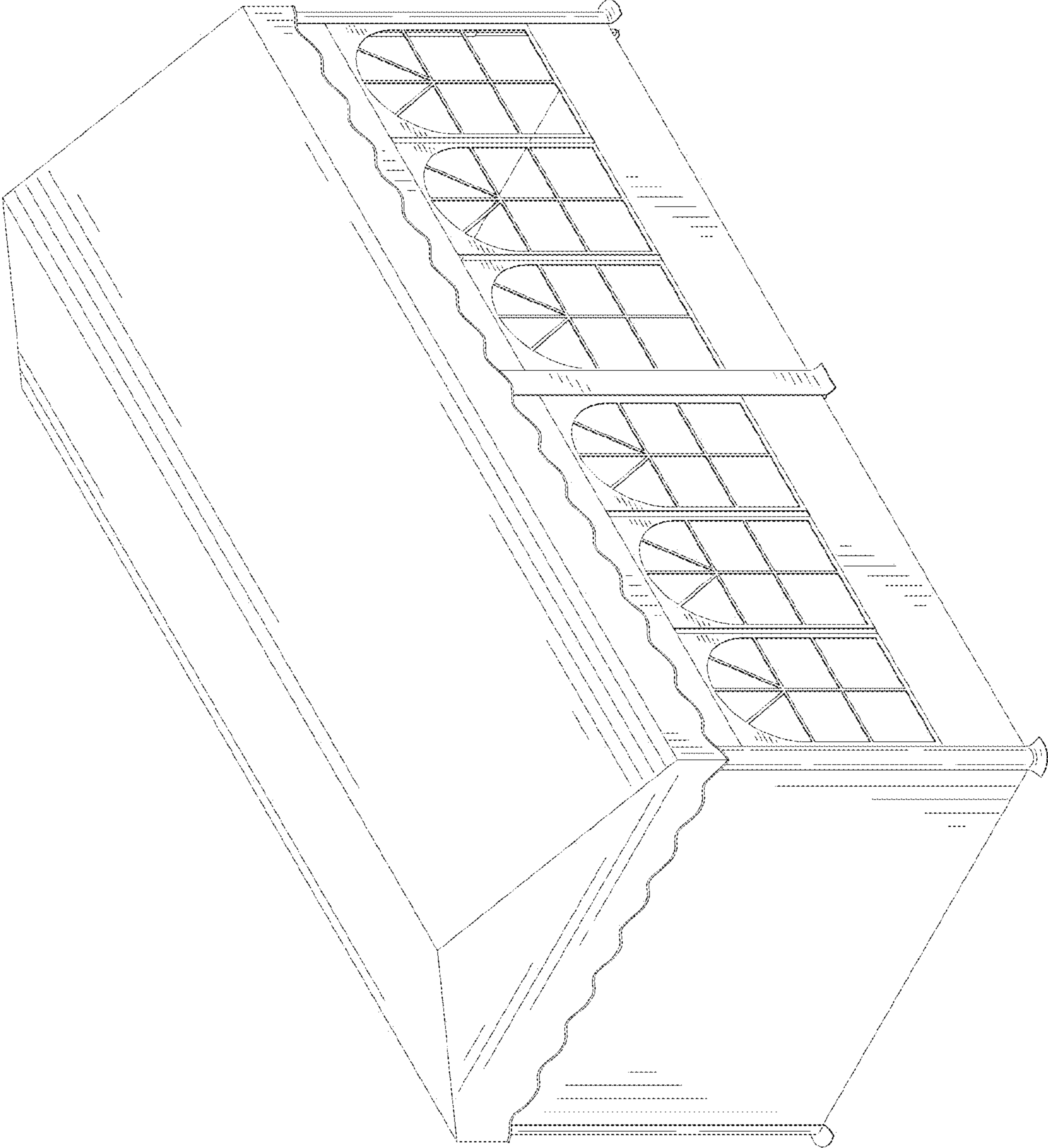


FIG. 1

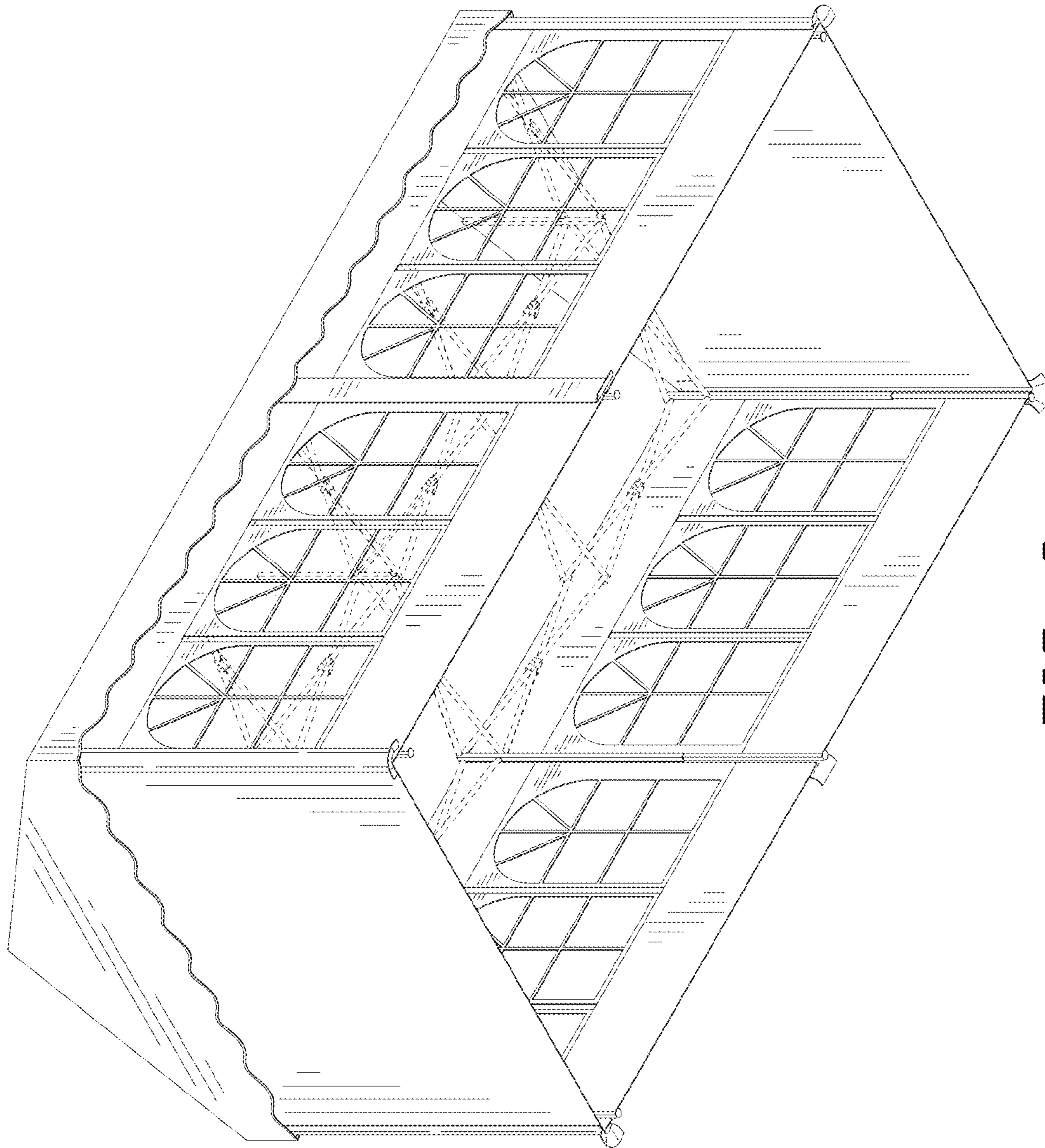


FIG. 2



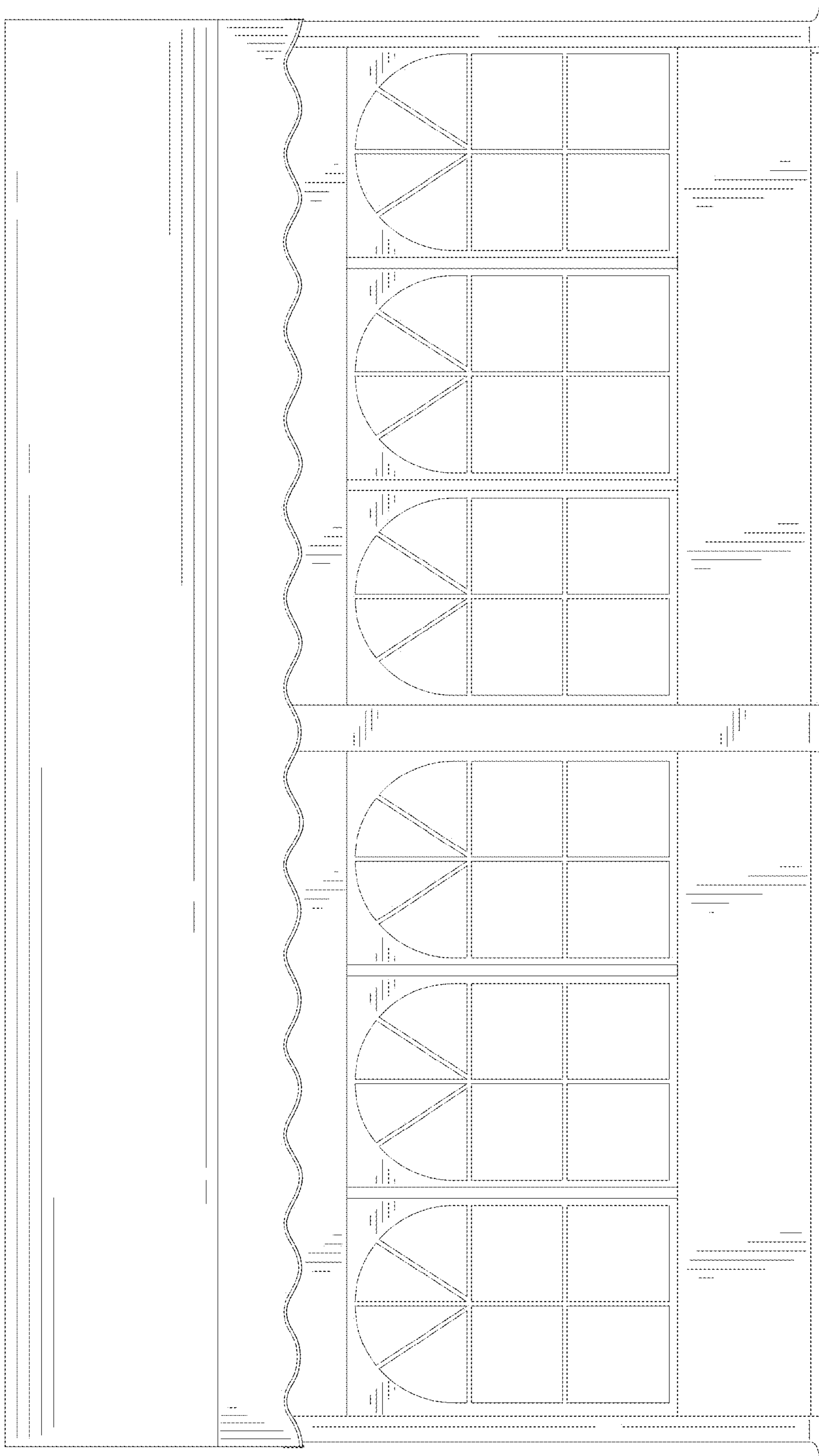


FIG. 3

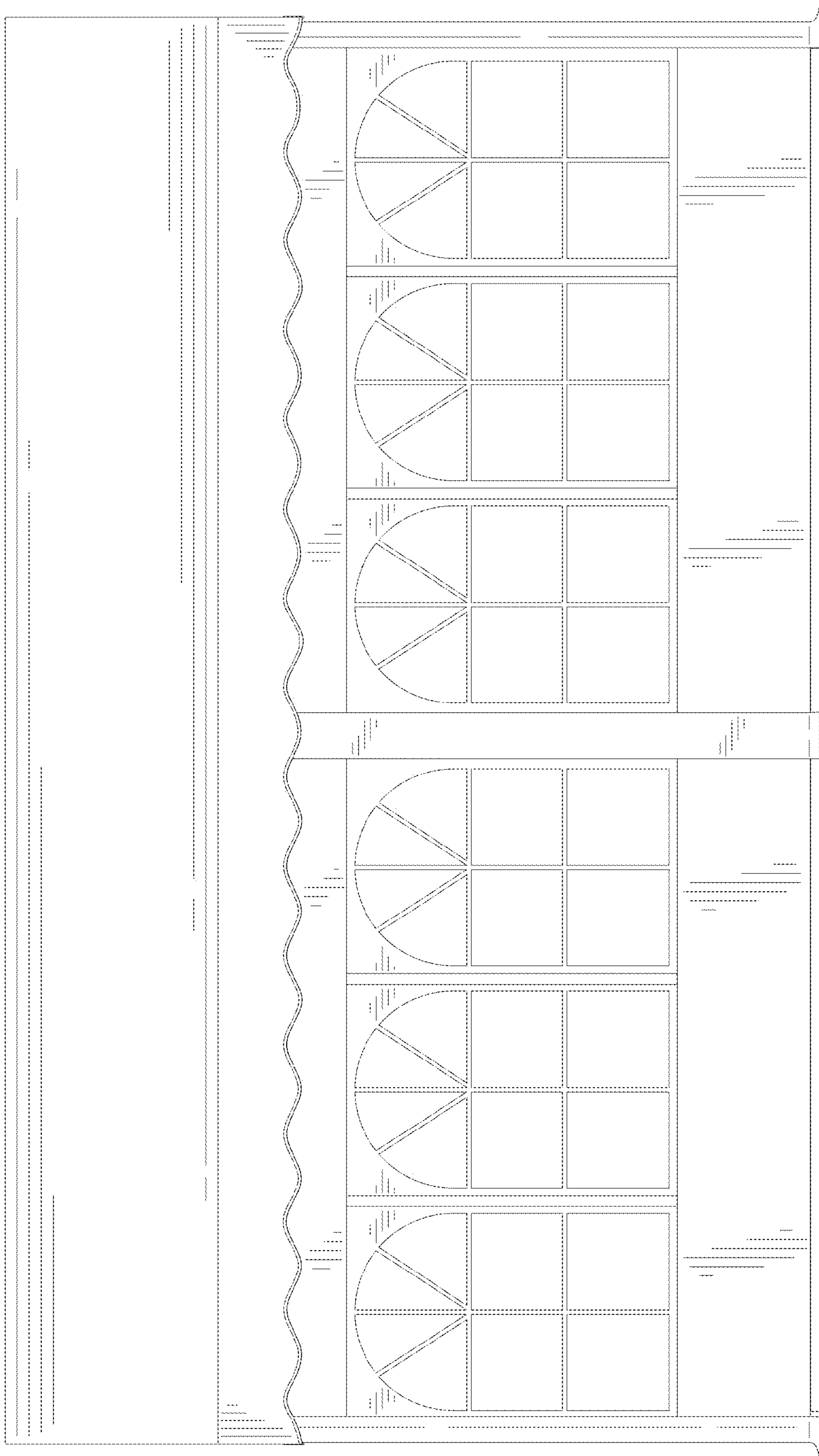


FIG. 4

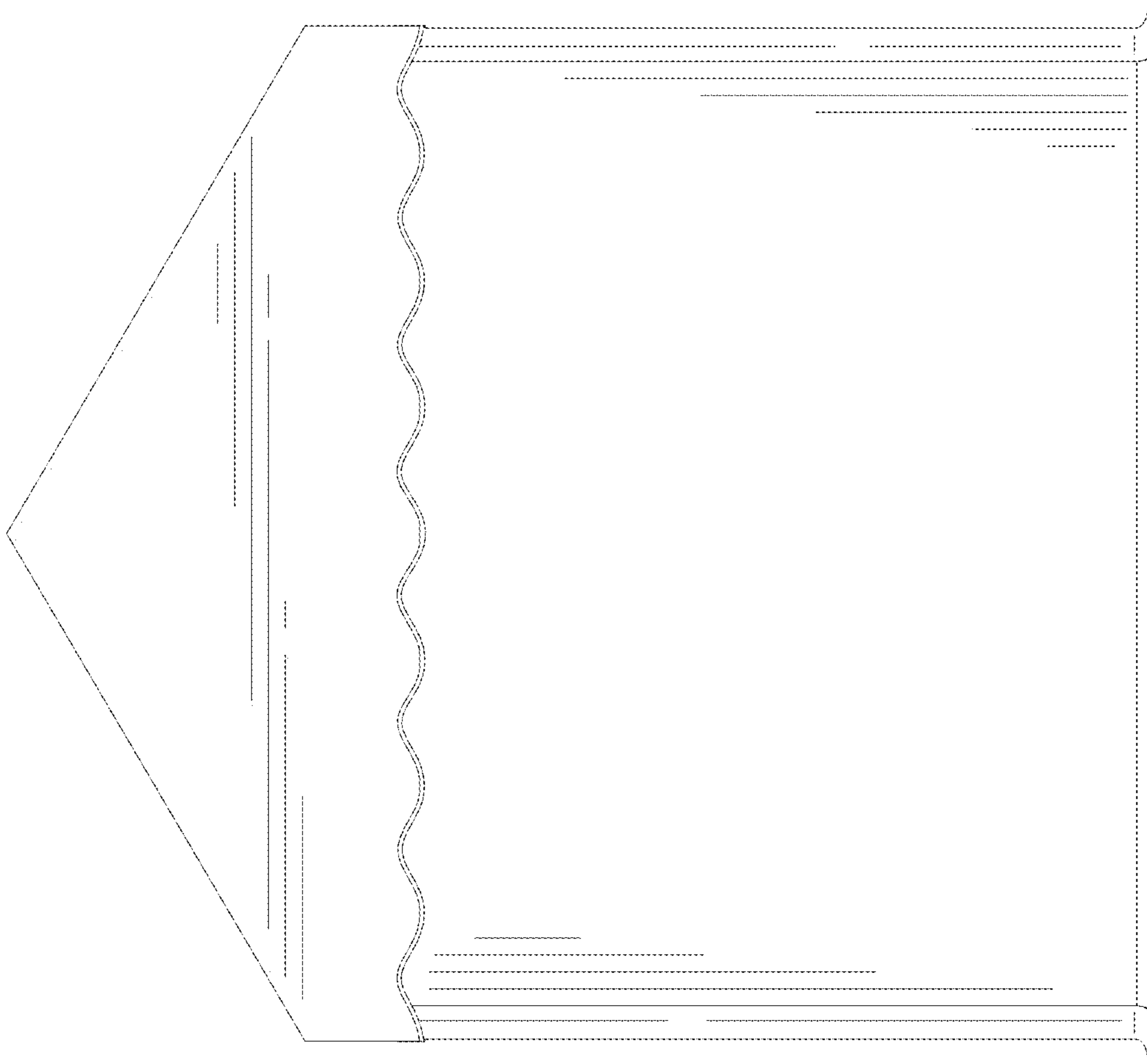


FIG. 5

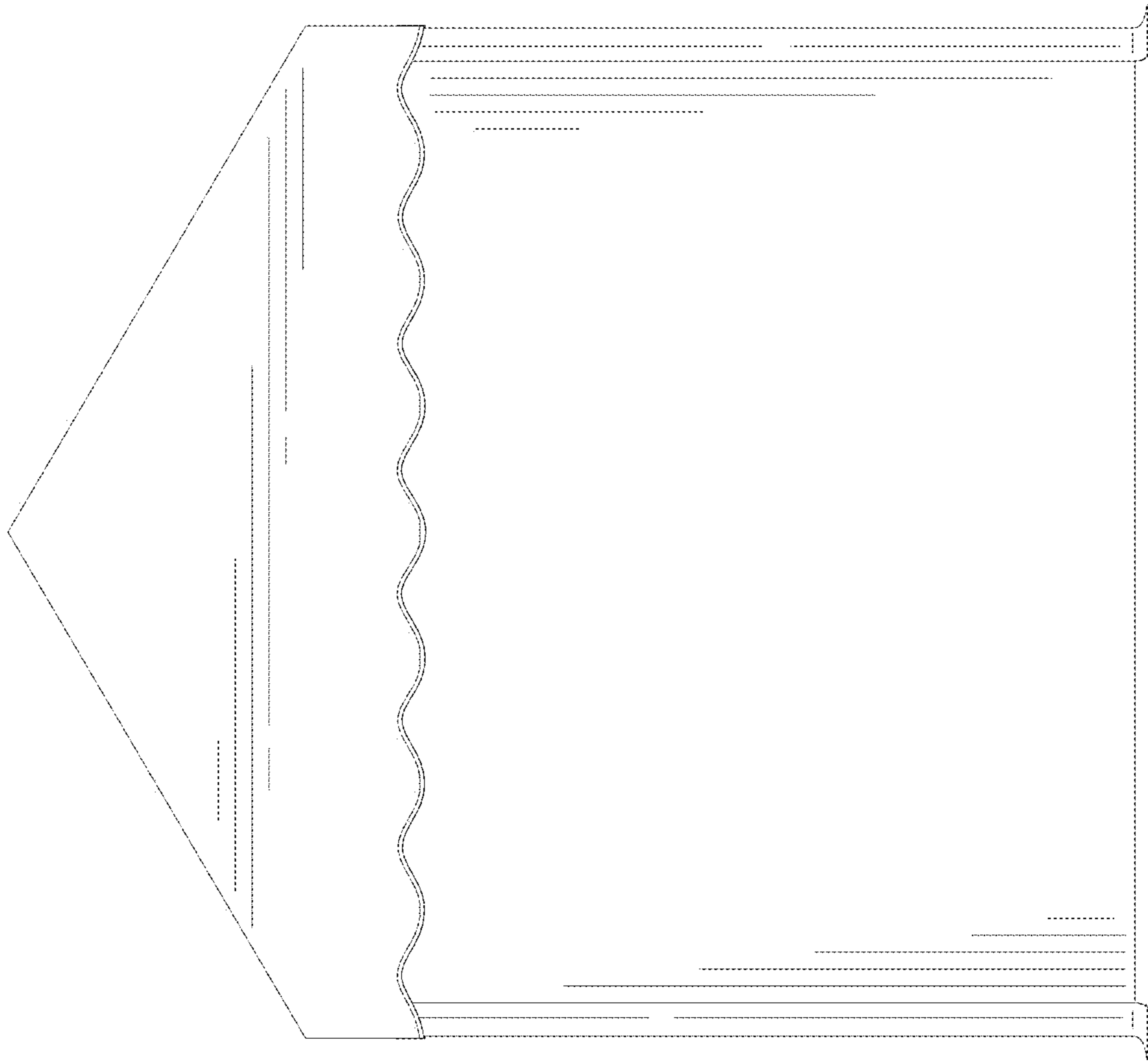


FIG. 6



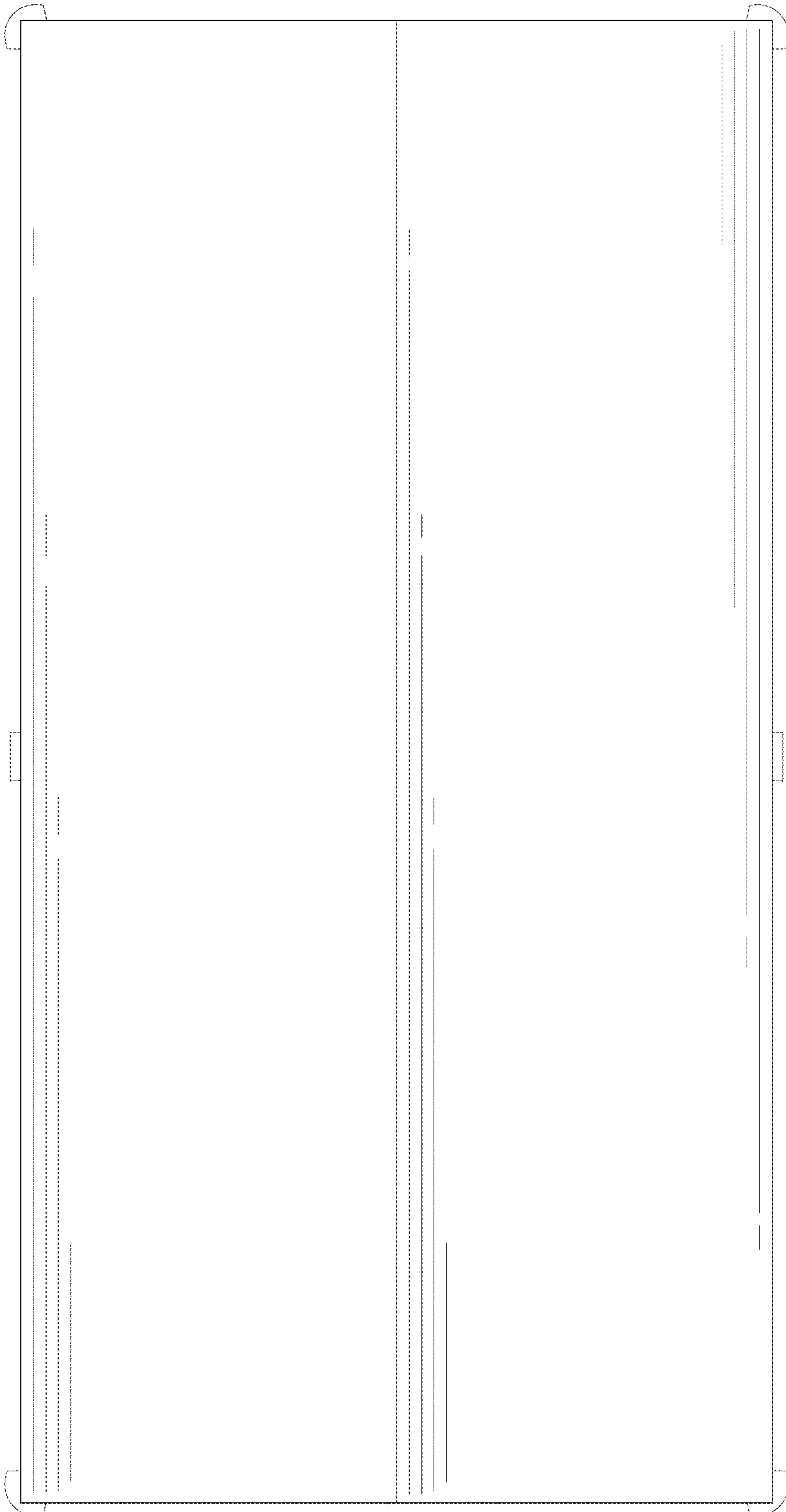


FIG. 7

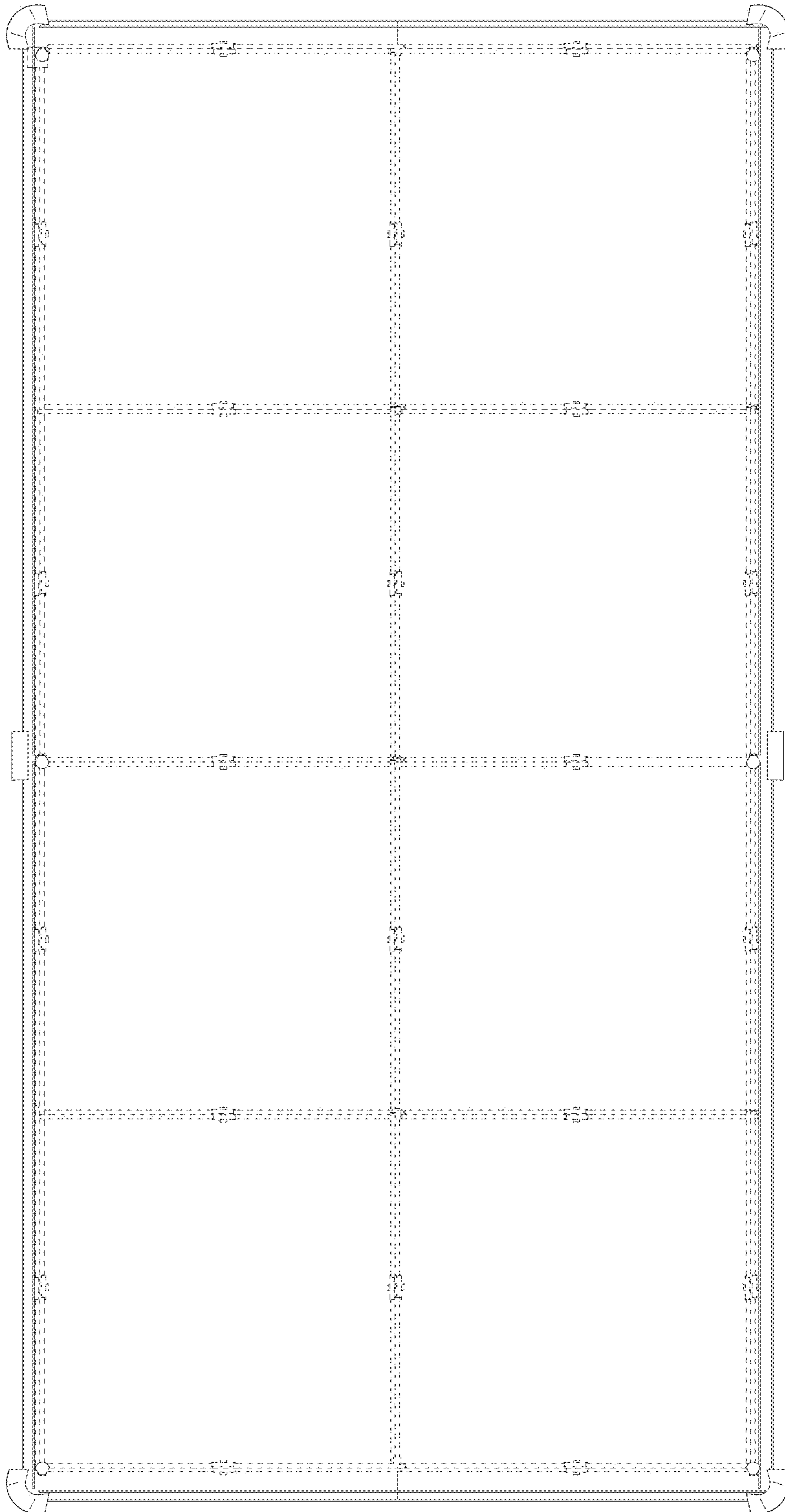


FIG. 8

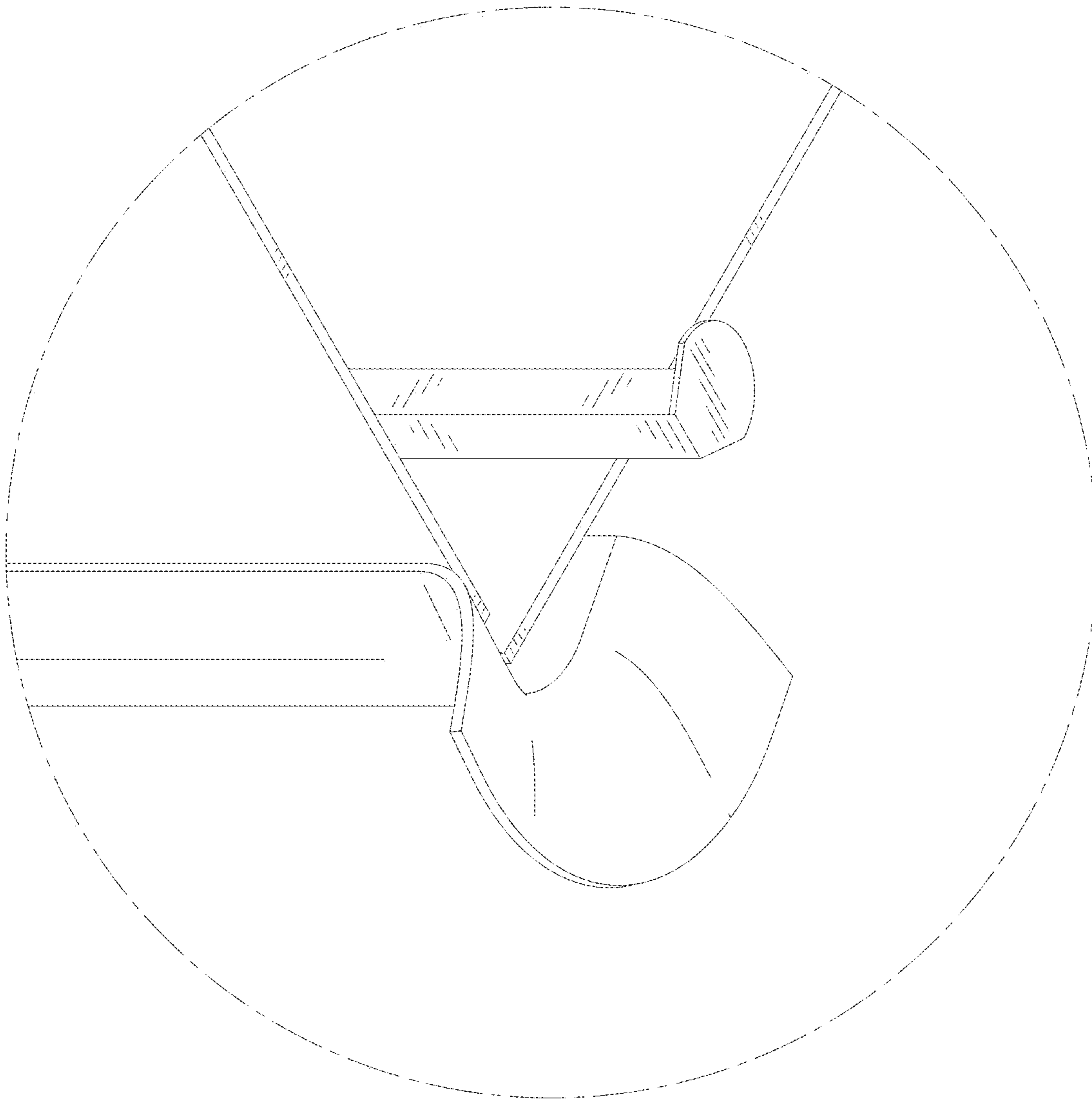


FIG. 9

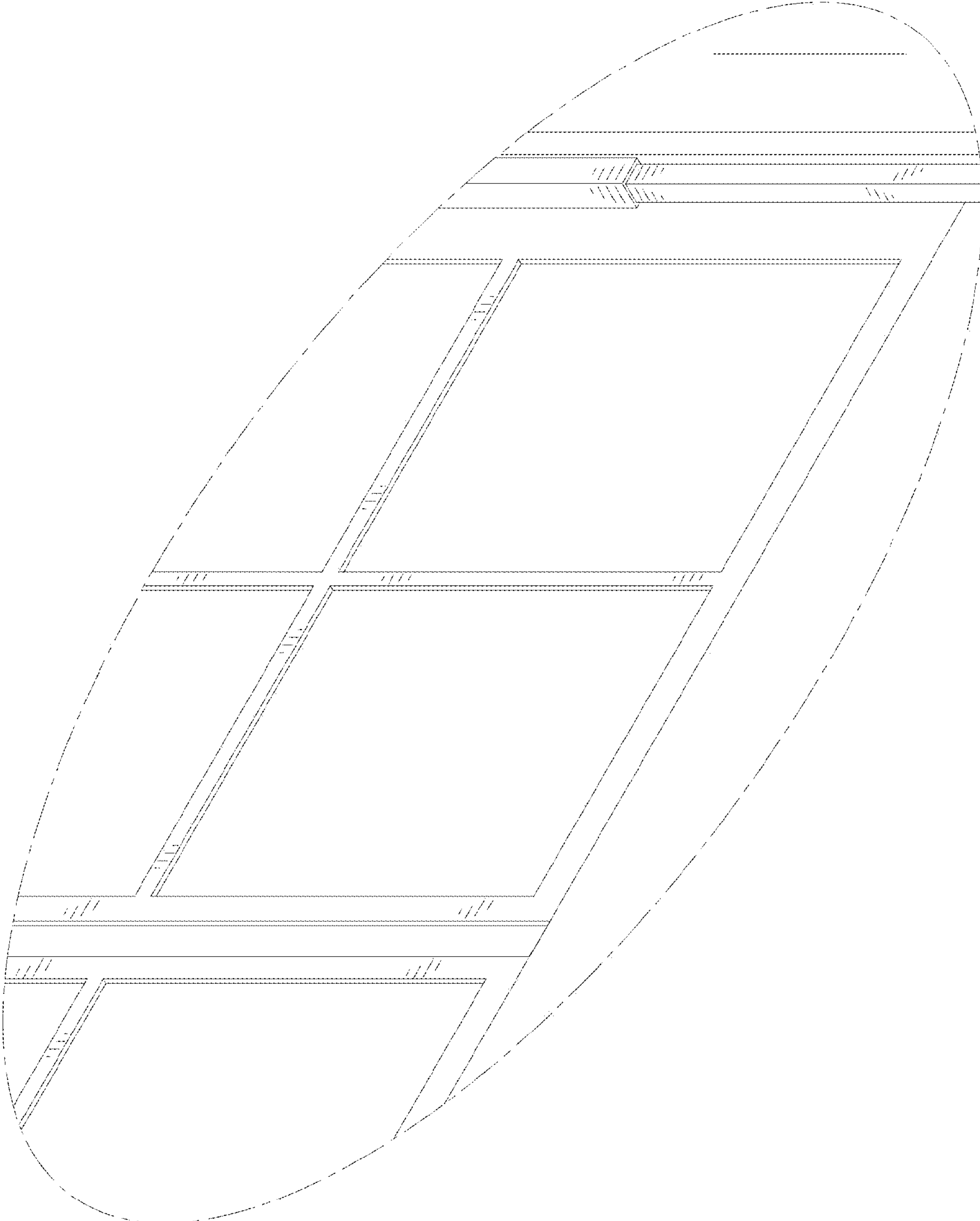


FIG. 10