



US00D982700S

(12) **United States Design Patent** (10) **Patent No.:** **US D982,700 S**  
**Powell et al.** (45) **Date of Patent:** **\*\* Apr. 4, 2023**

(54) **OUTDOOR POP-UP SHELTER**  
(71) Applicant: **BUSHNELL HOLDINGS, INC.**,  
Overland Park, KS (US)  
(72) Inventors: **Michael E. Powell**, Madison, MS (US);  
**Herbert J. Harris**, Brandon, MS (US);  
**Jacob R Thomason**, Madison, MS  
(US)  
(73) Assignee: **BUSHNELL HOLDINGS, INC.**,  
Overland Park, KS (US)  
(\*\*) Term: **15 Years**  
(21) Appl. No.: **29/673,894**  
(22) Filed: **Dec. 18, 2018**  
(51) **LOC (14) Cl.** ..... **21-04**  
(52) **U.S. Cl.**  
USPC ..... **D21/834**  
(58) **Field of Classification Search**  
USPC ..... D21/834-838; D22/199; D25/16, 32  
CPC ..... E04H 15/00; E04H 15/001; E04H 15/40;  
E04H 15/44; E04H 15/48  
See application file for complete search history.

9,238,924 B2 \* 1/2016 Wyant ..... E04H 15/04  
9,752,345 B1 \* 9/2017 LaHood ..... E04H 15/58  
9,777,507 B2 \* 10/2017 Walter ..... E04H 15/322  
9,834,953 B2 \* 12/2017 Ways ..... E04H 15/48  
9,890,552 B2 \* 2/2018 Schneider ..... E04H 15/14  
10,844,624 B2 \* 11/2020 Robert ..... E04H 15/001  
2008/0083443 A1 \* 4/2008 Eastman, II ..... E04H 15/44  
135/121  
2011/0168221 A1 \* 7/2011 Schlipf ..... E04H 15/001  
135/117  
2013/0074894 A1 \* 3/2013 Cook ..... E04H 15/001  
135/96  
2015/0250162 A1 \* 9/2015 Wyant ..... A01M 31/025  
135/147  
2016/0289995 A1 \* 10/2016 Schneider ..... E04H 15/14  
2017/0234029 A1 \* 8/2017 Walter ..... E04H 15/30  
135/147  
2018/0058090 A1 \* 3/2018 Kubica ..... E04H 15/64  
2019/0093383 A1 \* 3/2019 Robert ..... A01M 31/025

(Continued)

*Primary Examiner* — Cynthia M. Chin  
(74) *Attorney, Agent, or Firm* — Walter M. Egbert, III;  
Richard J. Brown; Reed Smith LLP

(57) **CLAIM**

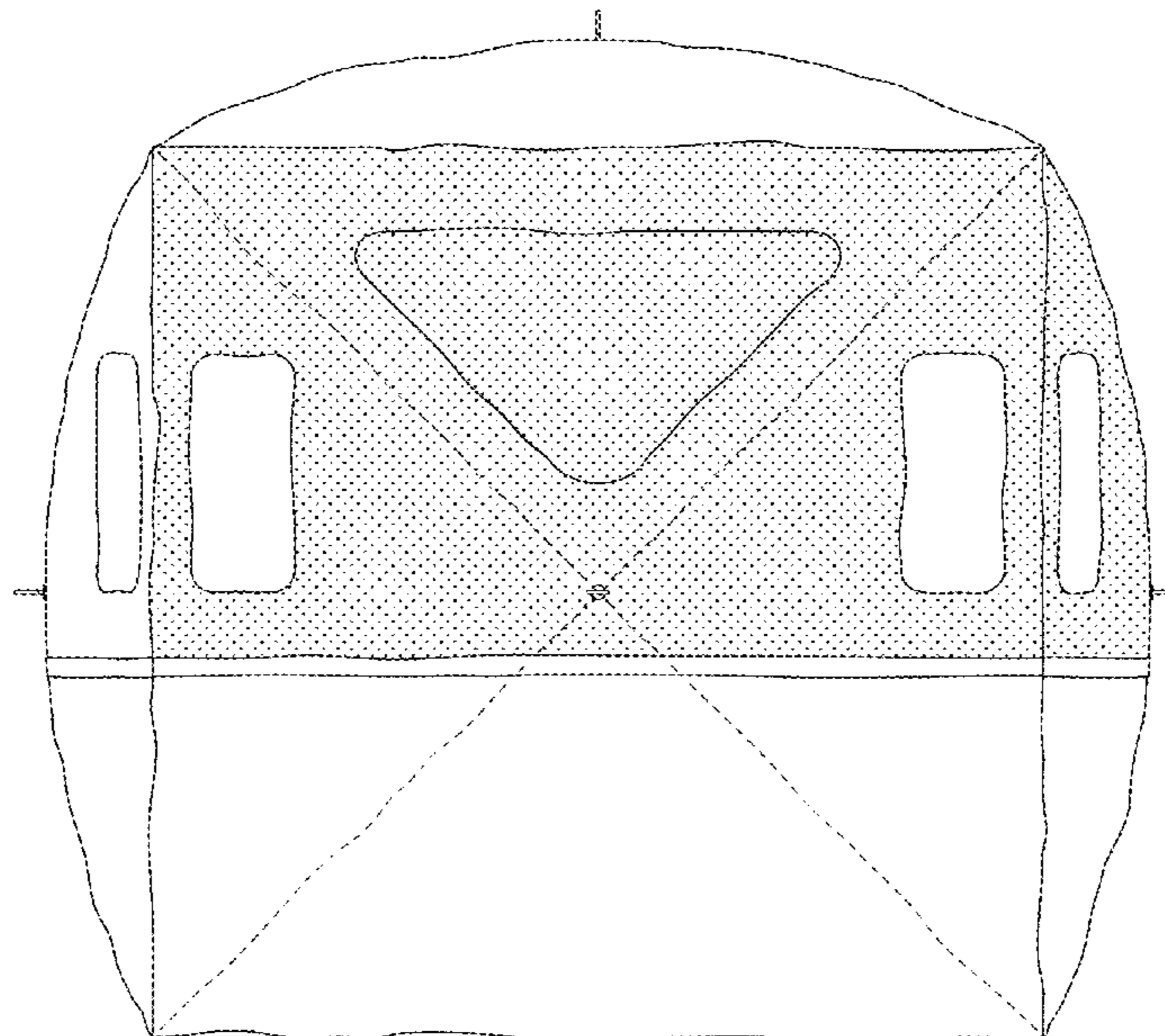
The ornamental design for an outdoor pop-up shelter, as shown and described.

**DESCRIPTION**

FIG. 1 is a first side elevation view of an outdoor pop-up shelter showing the new design;  
FIG. 2 is a second side elevation view thereof;  
FIG. 3 is a third side elevation view thereof;  
FIG. 4 is a fourth side elevation view thereof; and,  
FIG. 5 is a top view thereof.  
The broken lines are for the purpose of illustrating portions of the article that form no part of the claimed design.  
The stippled areas illustrate portions of the article that comprise a mesh material.

**1 Claim, 5 Drawing Sheets**

(56) **References Cited**  
U.S. PATENT DOCUMENTS  
3,810,482 A \* 5/1974 Beavers ..... E04H 15/48  
135/147  
5,628,338 A \* 5/1997 Stumbo ..... E04H 15/40  
135/147  
D505,175 S \* 5/2005 Wehner ..... D21/834  
D511,196 S \* 11/2005 Wehner ..... D21/834  
7,320,332 B2 \* 1/2008 Reis ..... E04H 15/44  
135/147  
D621,898 S \* 8/2010 Smith ..... D21/834  
8,826,927 B1 \* 9/2014 Beam ..... E04H 15/001  
135/901



(56)

**References Cited**

U.S. PATENT DOCUMENTS

2019/0203500 A1\* 7/2019 LaHood ..... E04H 15/64  
2020/0196592 A1\* 6/2020 Harris ..... A01M 31/025

\* cited by examiner

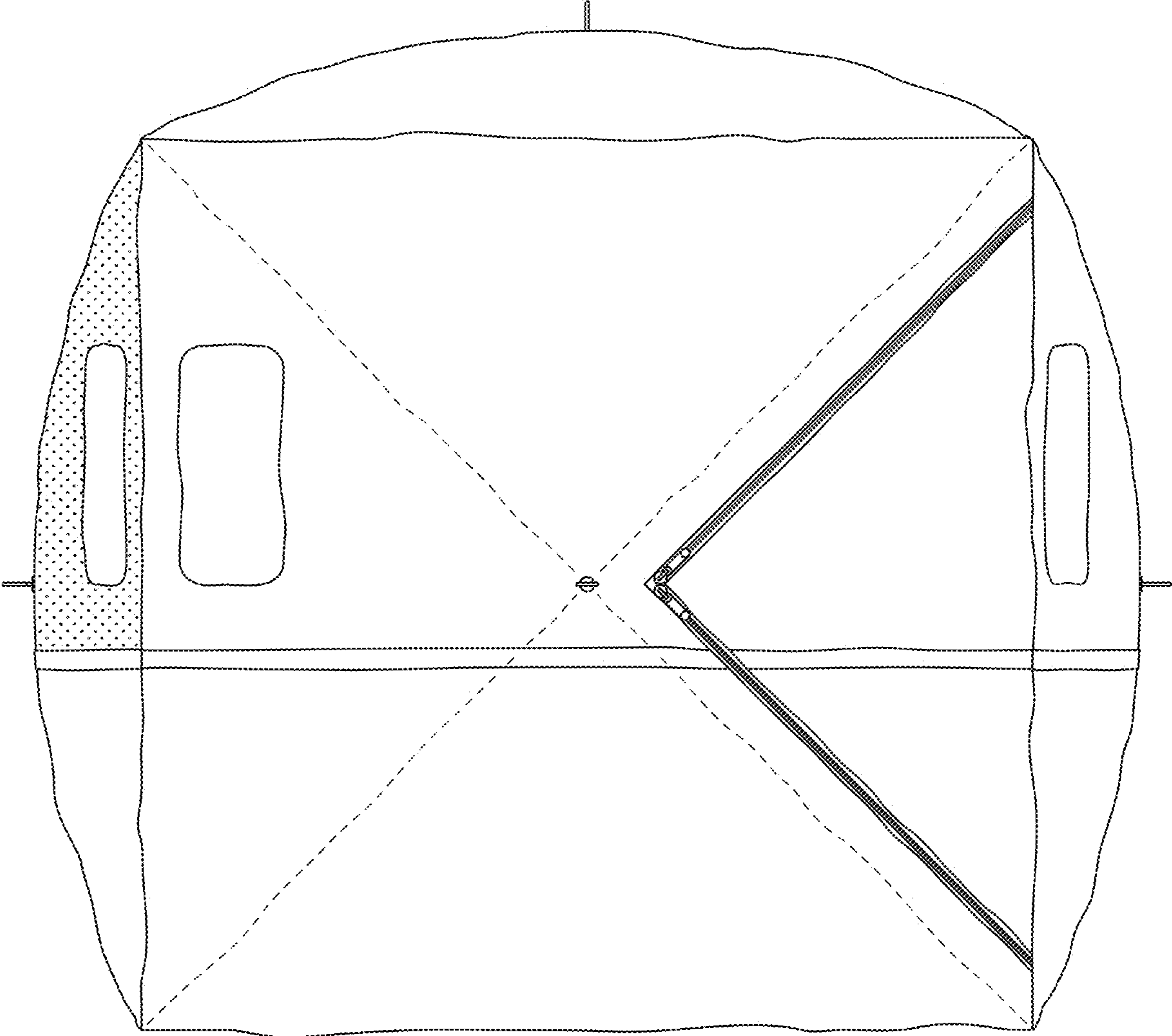


FIG. 1

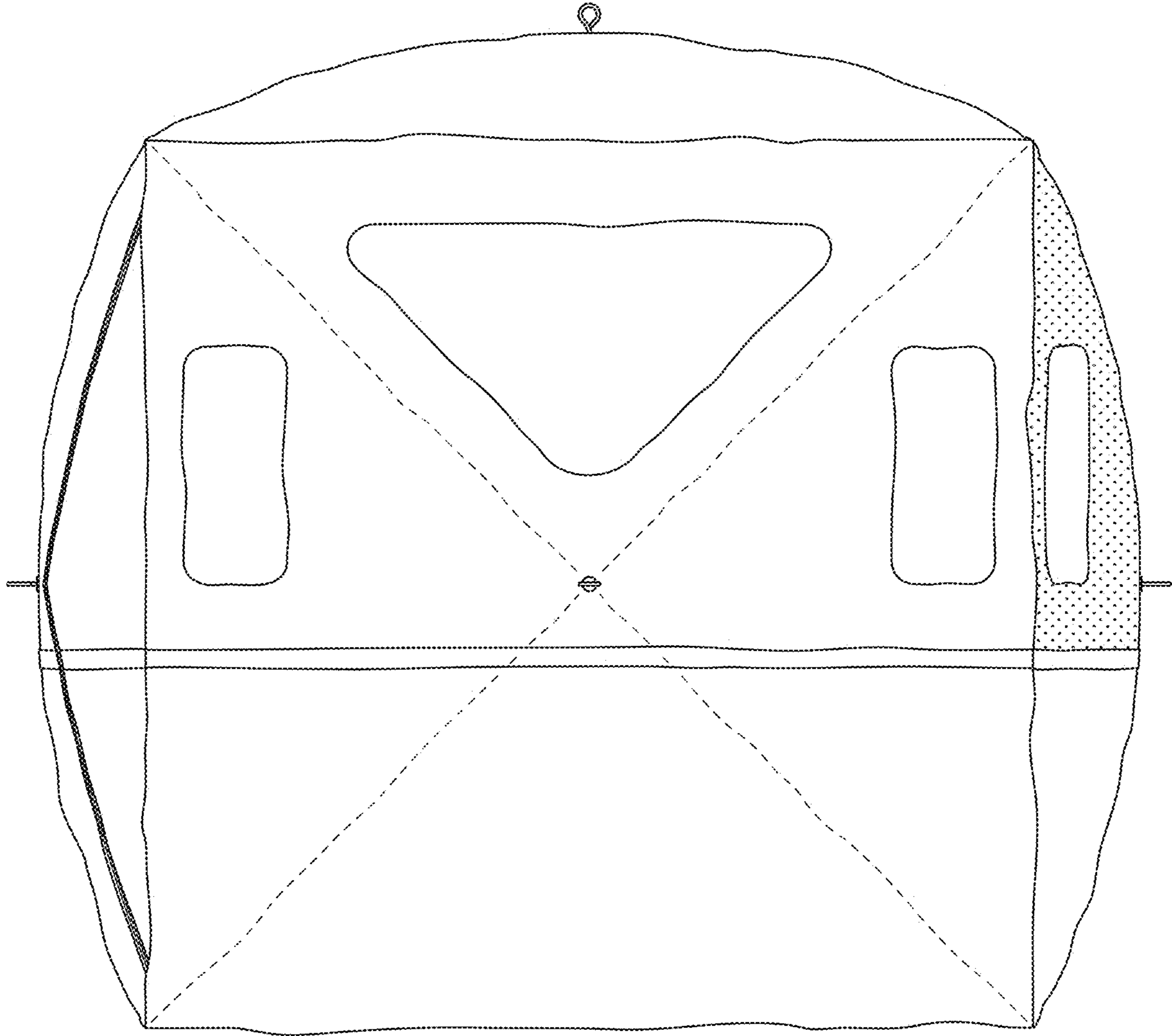


FIG. 2

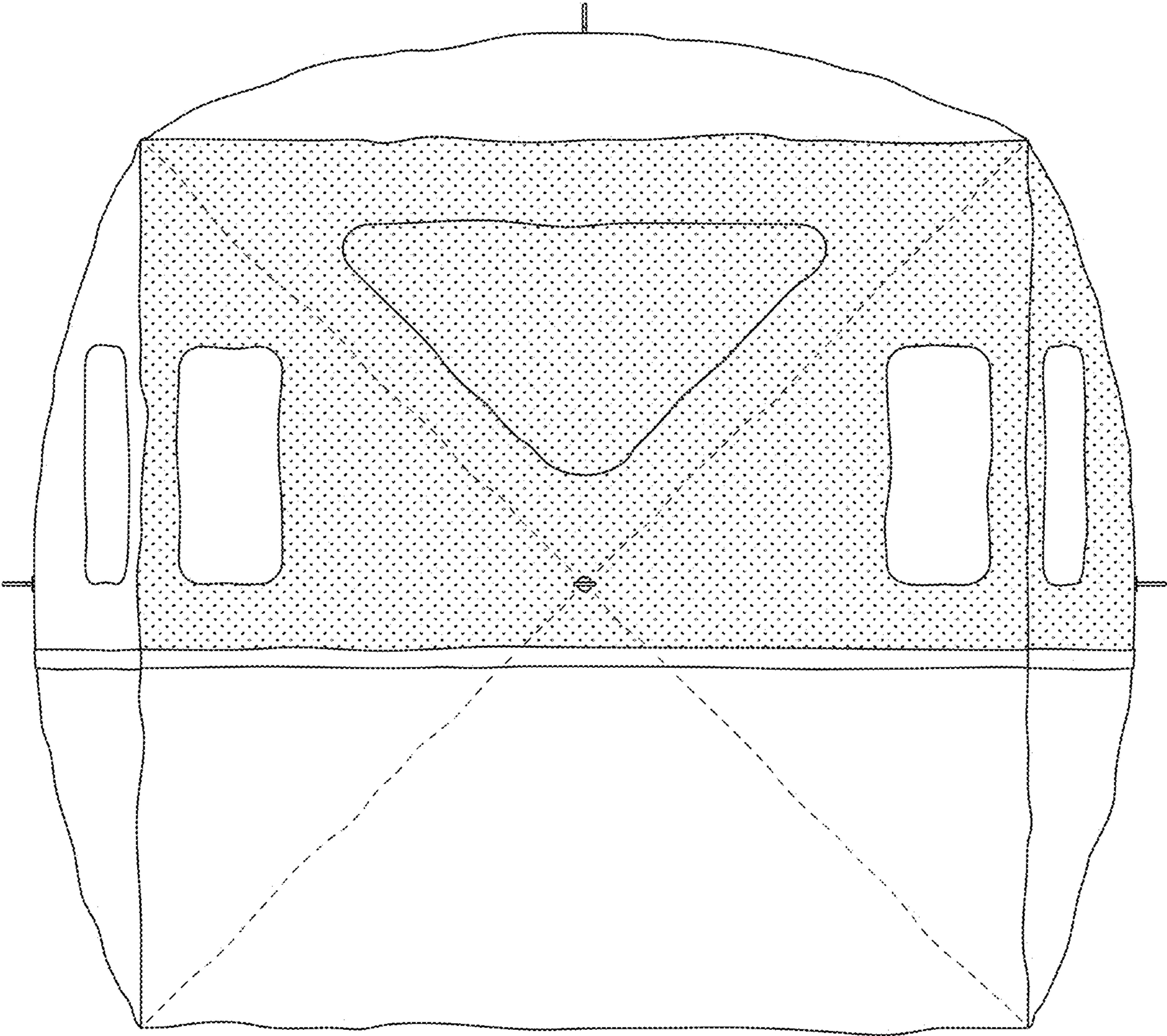


FIG. 3

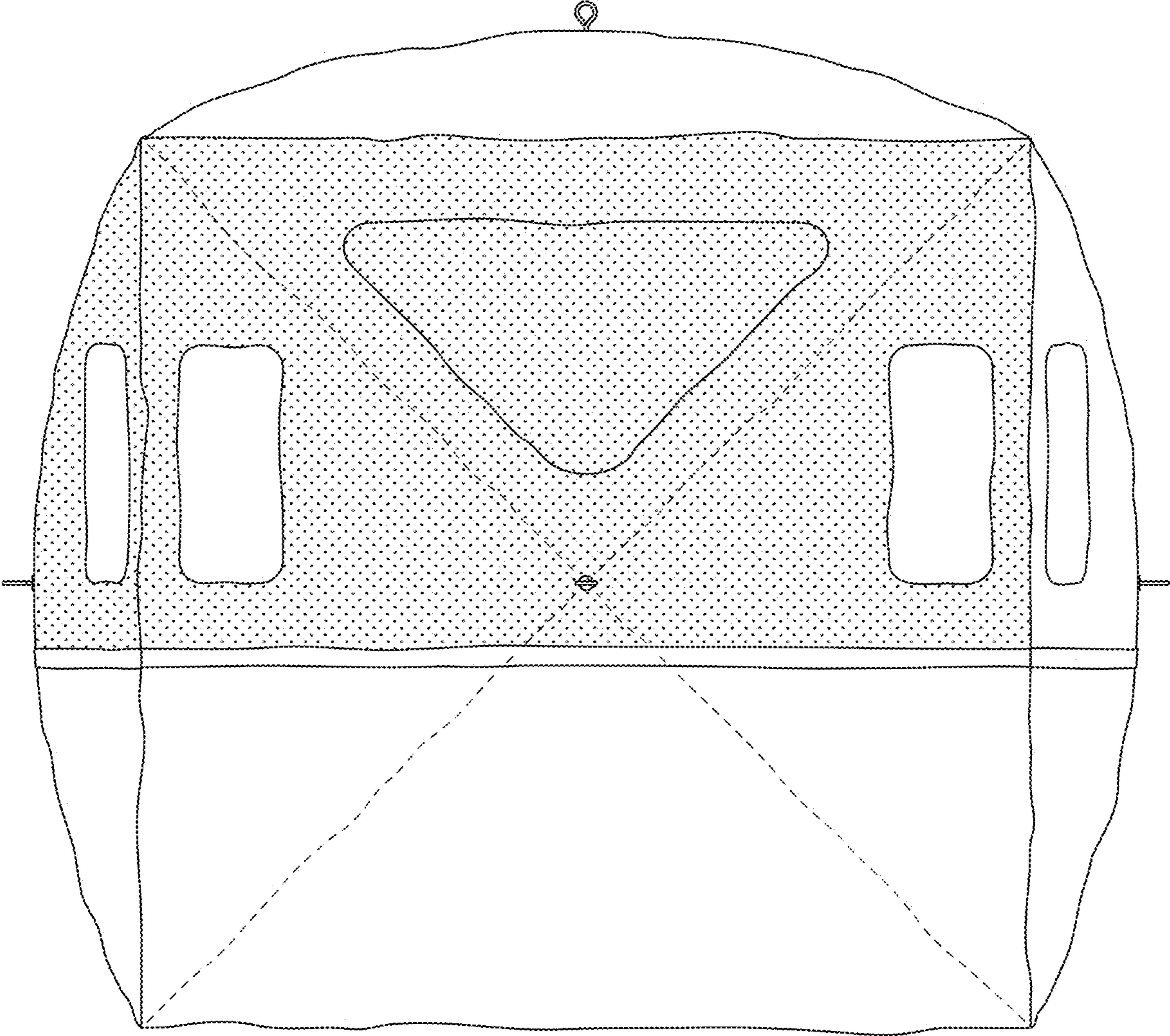


FIG. 4

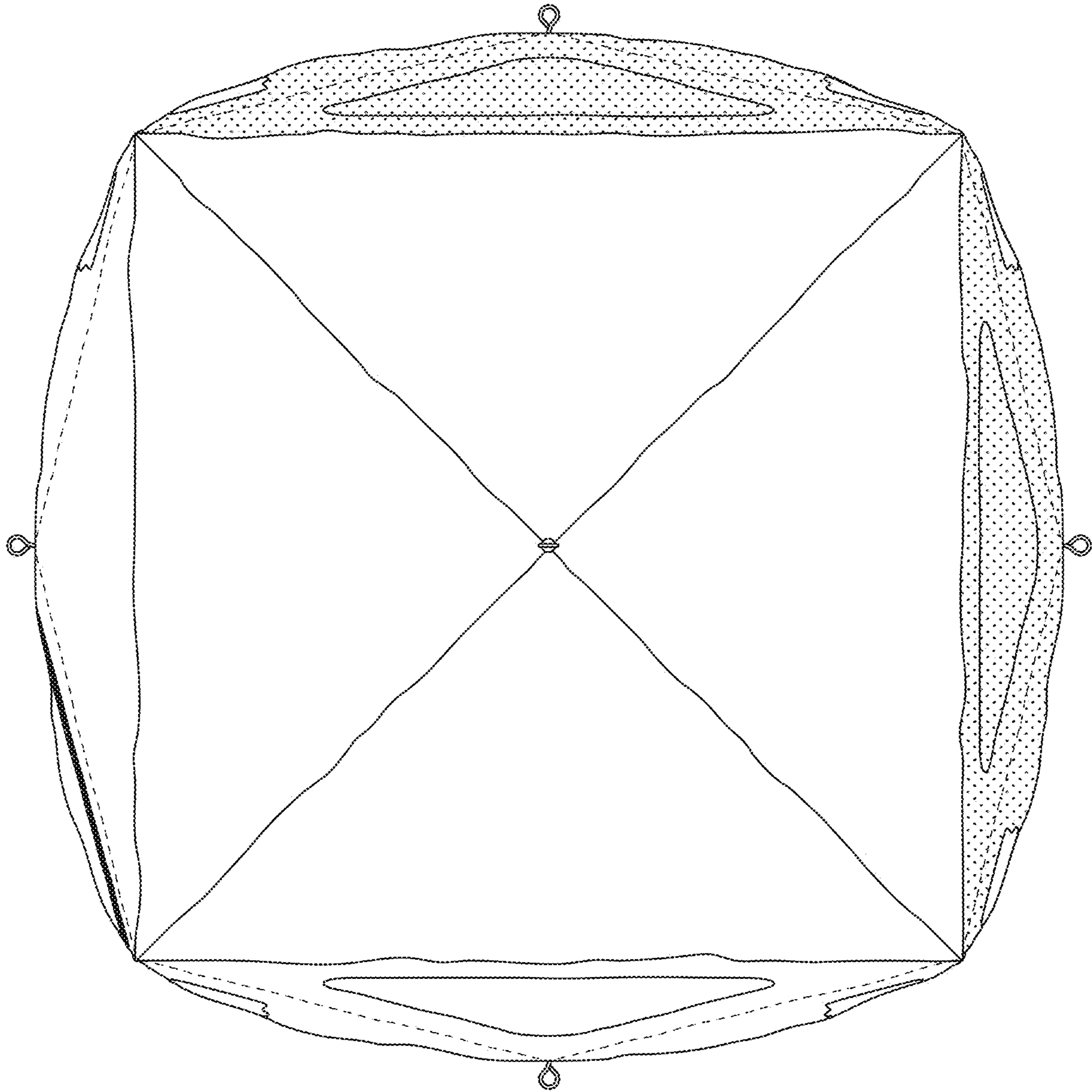


FIG. 5