



US00D982699S

(12) **United States Design Patent**
Cooper

(10) **Patent No.:** **US D982,699 S**

(45) **Date of Patent:** **** Apr. 4, 2023**

(54) **INFLATABLE DOCK**

(71) Applicant: **BOTE, LLC**, Fort Walton Beach, FL
(US)

(72) Inventor: **Corey Cooper**, Fort Walton Beach, FL
(US)

(73) Assignee: **BOTE, LLC**, Fort Walton Beach, FL
(US)

(**) Term: **15 Years**

(21) Appl. No.: **29/786,720**

(22) Filed: **Jun. 2, 2021**

(51) **LOC (14) Cl.** **21-03**

(52) **U.S. Cl.**
USPC **D21/803; D21/802**

(58) **Field of Classification Search**
USPC 441/35, 40; D21/770, 803, 809, 835,
D21/836; 114/54, 123, 129; 446/220
CPC A63B 69/187; A63B 2225/605; A63B
2225/62; A63B 2225/60; B63B 34/52;
B63B 34/54; B63B 34/63; B63B 35/58;
B63B 7/08; B63B 34/00
See application file for complete search history.

(56) **References Cited**

U.S. PATENT DOCUMENTS

6,840,830 B1 * 1/2005 Harlan A47C 15/006
441/35
D719,233 S * 12/2014 Maria D21/803
D952,372 S * 5/2022 Yang D6/604

D967,653 S * 10/2022 Gao D6/601
D968,547 S * 11/2022 Cooper D21/802
2022/0258840 A1 * 8/2022 Cooper B63B 34/565

* cited by examiner

Primary Examiner — Gino Colan

Assistant Examiner — Gregory G McLemore

(74) *Attorney, Agent, or Firm* — Smith, Gambrell &
Russell, LLP

(57) **CLAIM**

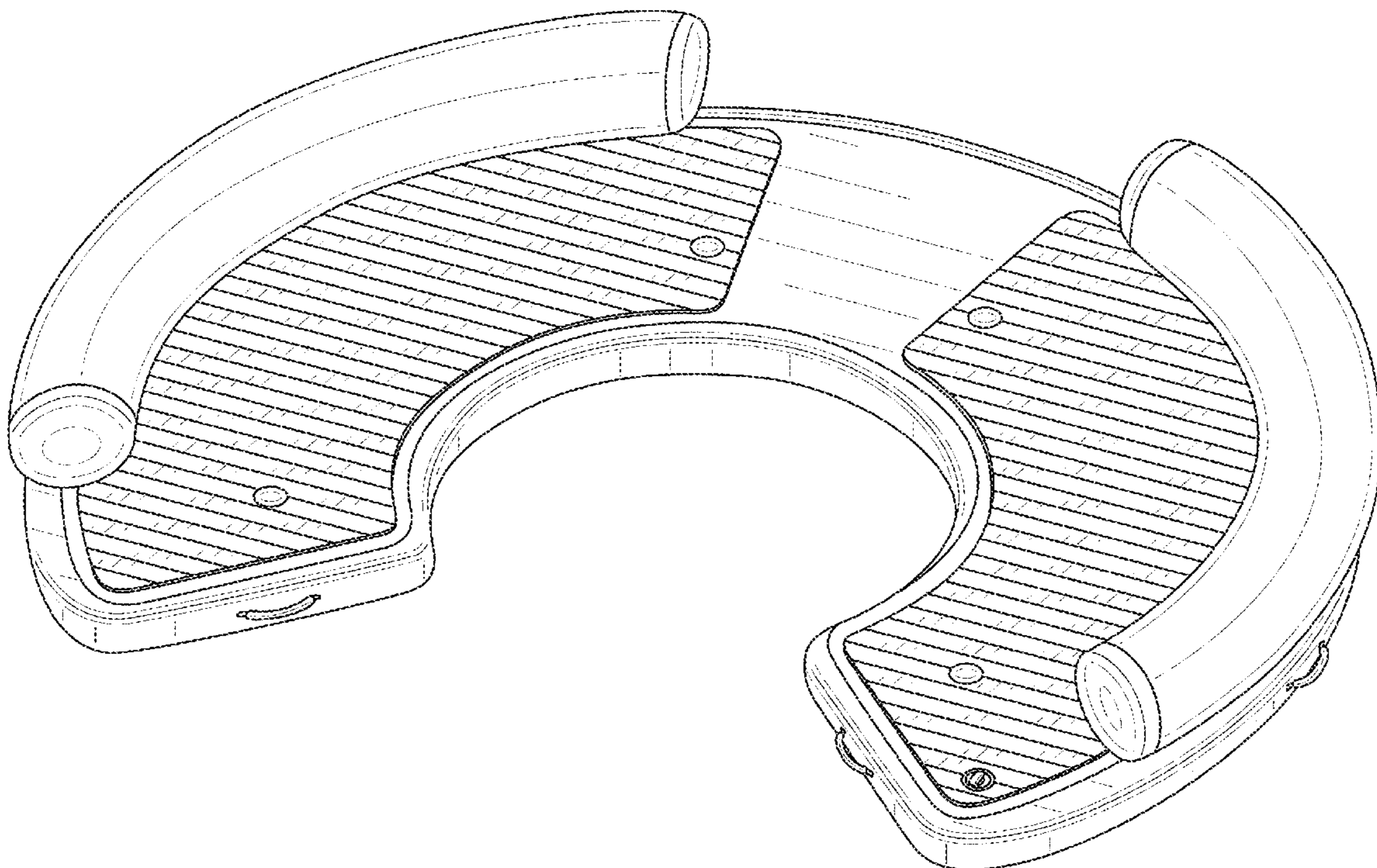
The ornamental design for an inflatable dock, as shown and described.

DESCRIPTION

FIG. 1 shows a front perspective view of an inflatable dock showing my new design;
FIG. 2 shows a front elevation view of the design shown in FIG. 1;
FIG. 3 shows a rear elevation view of the design shown in FIG. 1;
FIG. 4 shows a left elevation view of the design shown in FIG. 1;
FIG. 5 shows a right elevation view of the design shown in FIG. 1;
FIG. 6 shows a top plan view of the design shown in FIG. 1; and,
FIG. 7 shows a bottom plan view of the design shown in FIG. 1.

Features shown in an evenly spaced broken line format, if any, illustrate portions of the article that form no part of the claimed design.

1 Claim, 7 Drawing Sheets



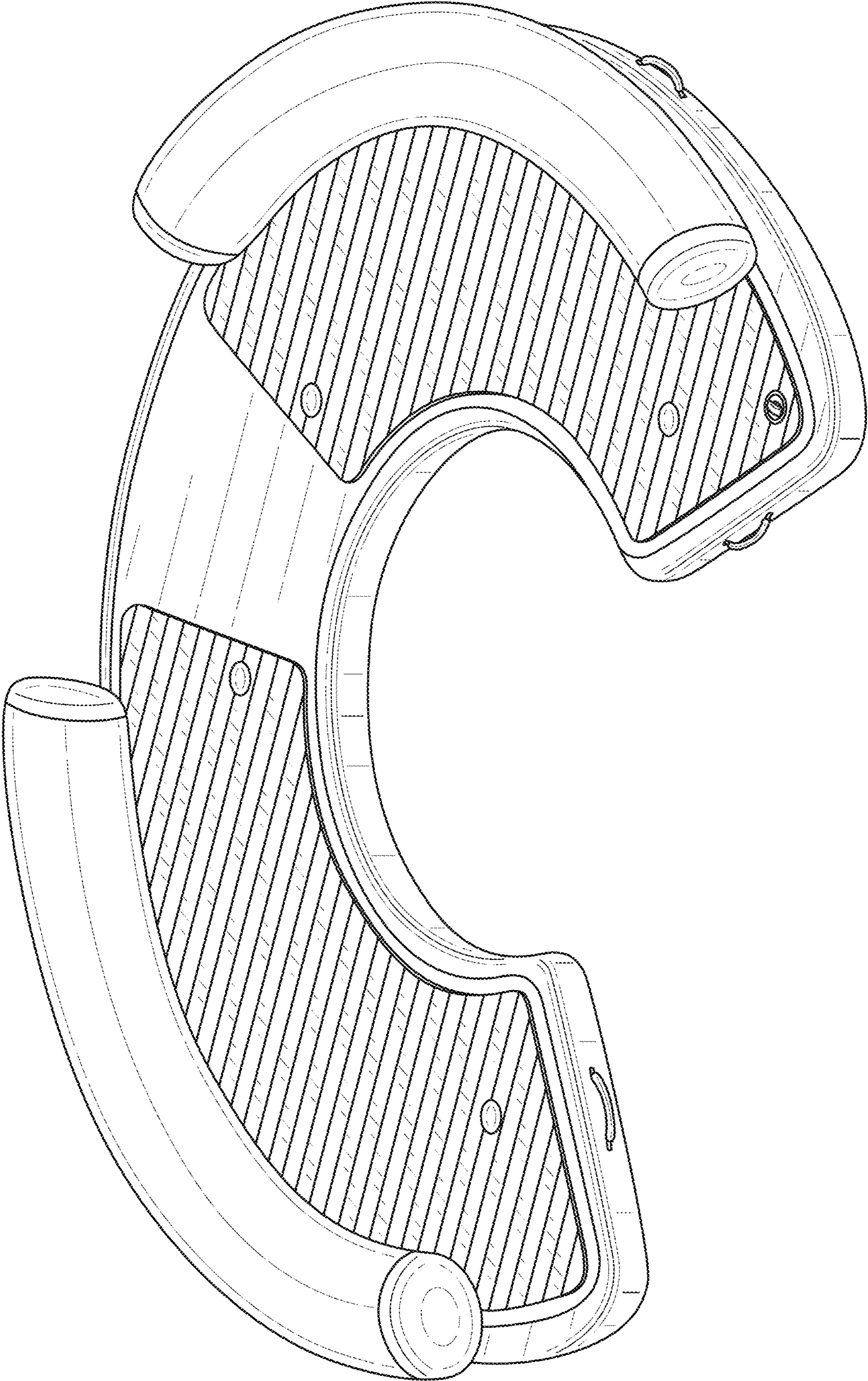


FIG. 1

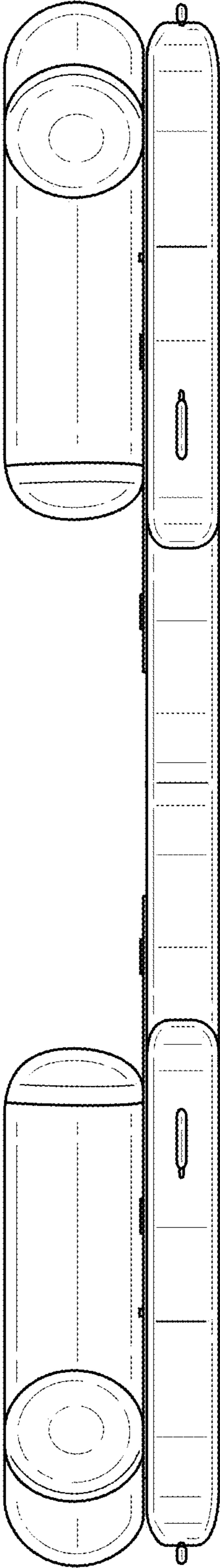


FIG. 2

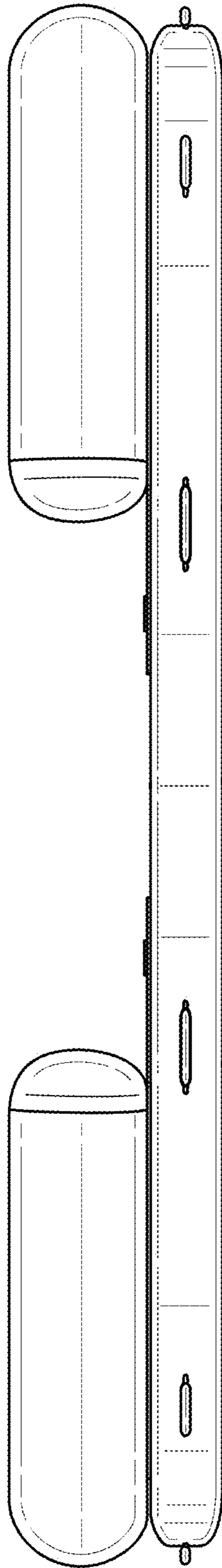


FIG. 3

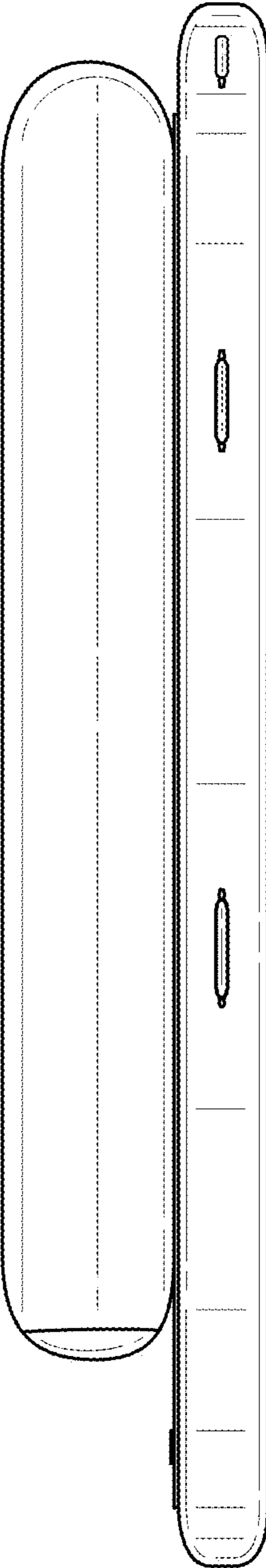


FIG. 4

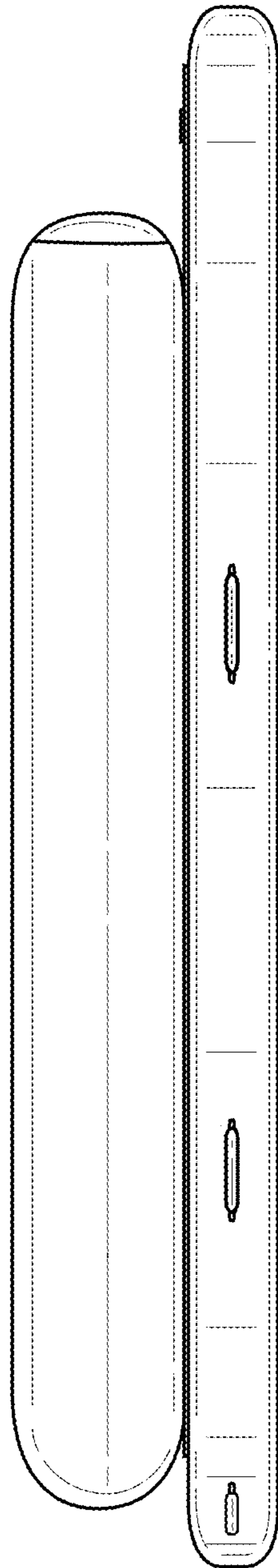


FIG. 5

Attorney Docket No: 034672.043

6/7

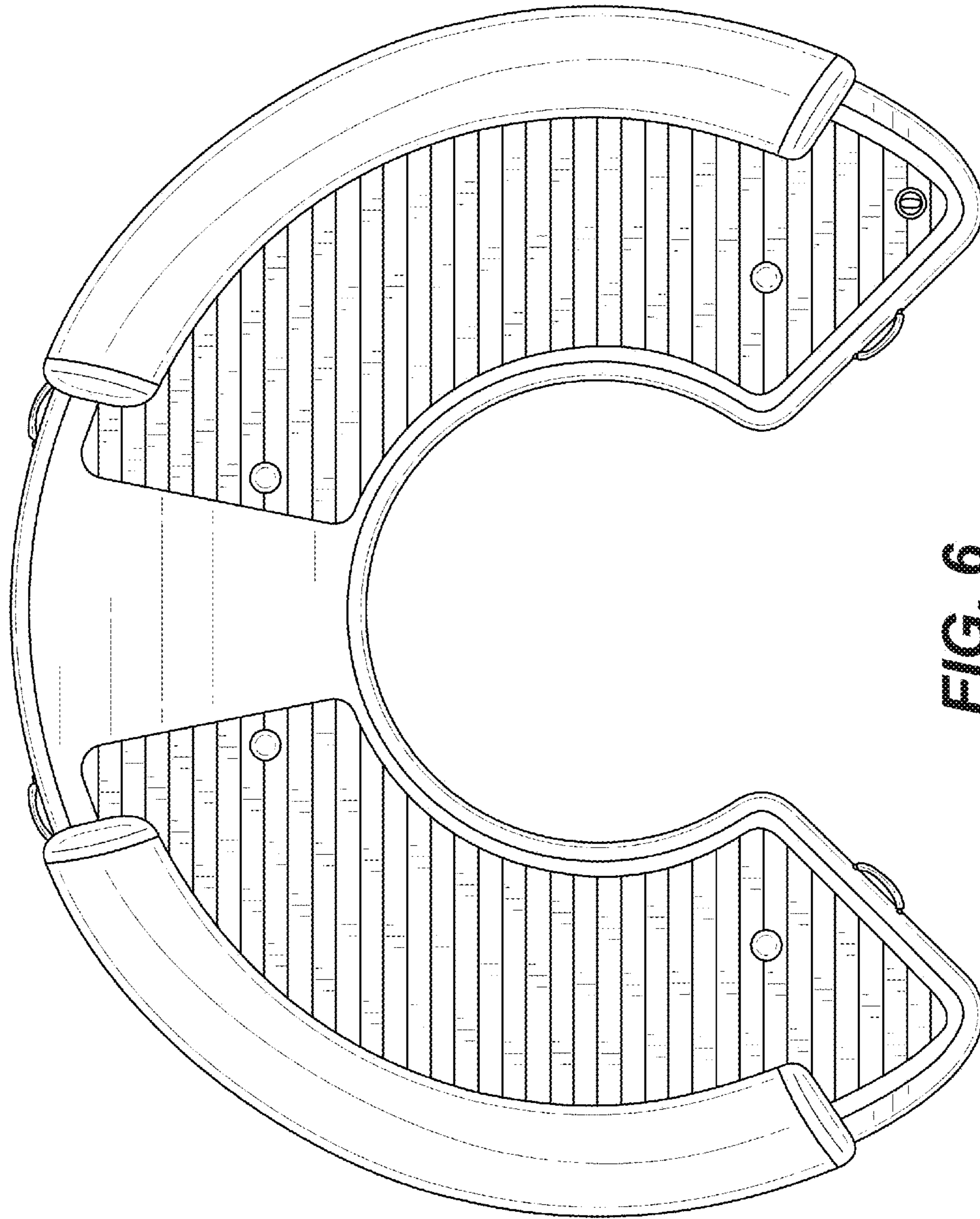


FIG. 6

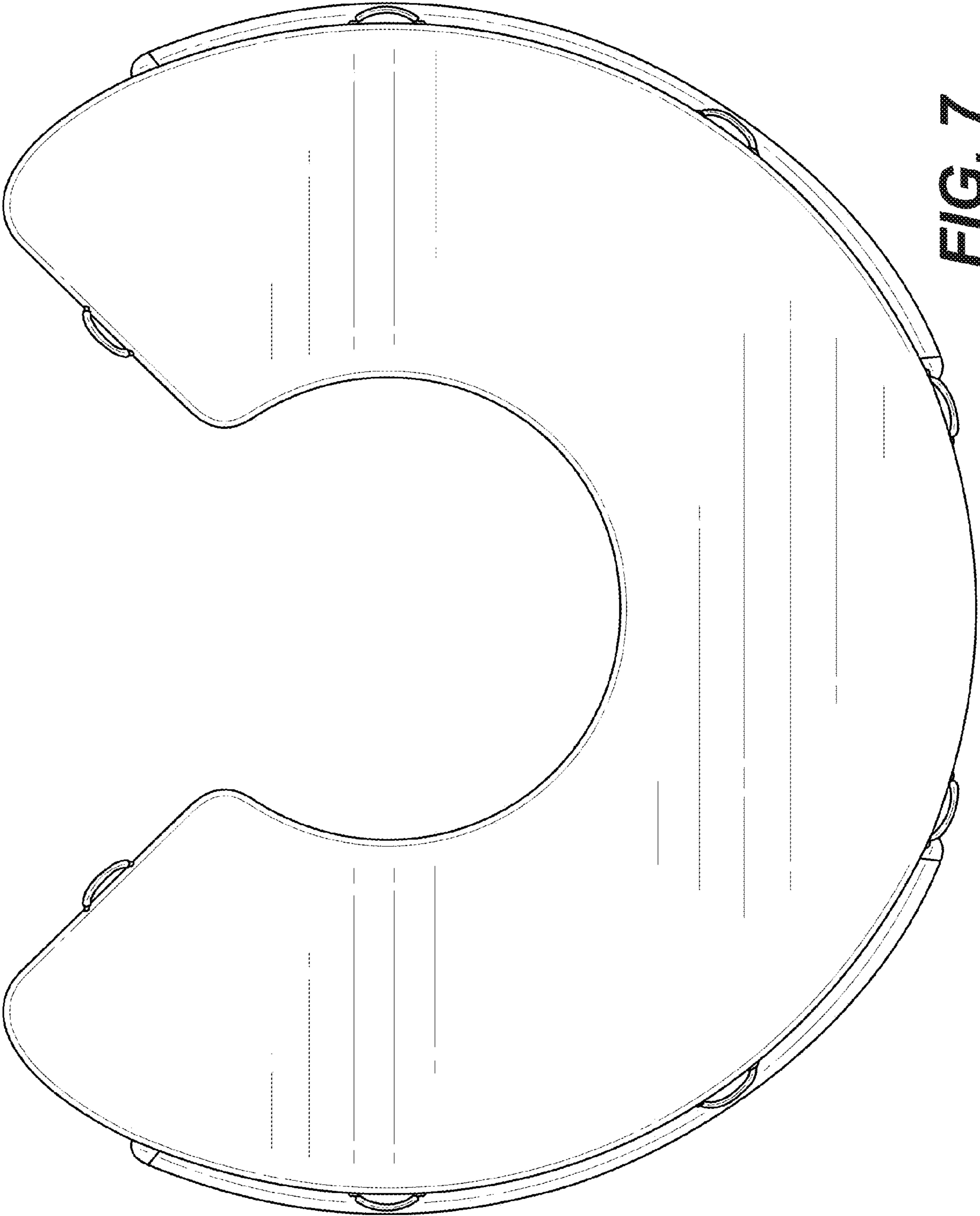


FIG. 7