



US00D982698S

(12) **United States Design Patent**  
**Barrett et al.**

(10) **Patent No.:** **US D982,698 S**

(45) **Date of Patent:** **\*\* Apr. 4, 2023**

(54) **INFLATABLE DEVICE**

(71) Applicant: **FUNBOY, LLC**, Seattle, WA (US)

(72) Inventors: **Blake Miller Barrett**, Seattle, WA (US); **Maxwell Page Barrett**, Seattle, WA (US)

(73) Assignee: **FUNBOY, LLC**, Seattle, WA (US)

(\*\*) Term: **15 Years**

(21) Appl. No.: **29/779,634**

(22) Filed: **Apr. 20, 2021**

(51) **LOC (14) Cl.** ..... **21-02**

(52) **U.S. Cl.**  
USPC ..... **D21/803**

(58) **Field of Classification Search**  
USPC .... D21/803, 808, 835, 837; 441/30, 40, 130  
CPC ..... B63B 34/52; B63B 34/50; B63B 7/08  
See application file for complete search history.

(56) **References Cited**

**U.S. PATENT DOCUMENTS**

|                |        |         |       |                        |
|----------------|--------|---------|-------|------------------------|
| 6,749,474 B2 * | 6/2004 | Hsu     | ..... | A47C 15/006<br>441/131 |
| D956,910 S *   | 7/2022 | He      | ..... | D21/803                |
| D958,922 S *   | 7/2022 | Plante  | ..... | D21/801                |
| D964,496 S *   | 9/2022 | Barrett | ..... | D21/808                |

**OTHER PUBLICATIONS**

Giant Cabana Dayclub. Shown in www.facebook.com. Web. May 14, 2020. (Year: 2020).\*

\* cited by examiner

*Primary Examiner* — Gino Colan

*Assistant Examiner* — Gregory G McLemore

(74) *Attorney, Agent, or Firm* — Lee & Hayes, P.C.

(57) **CLAIM**

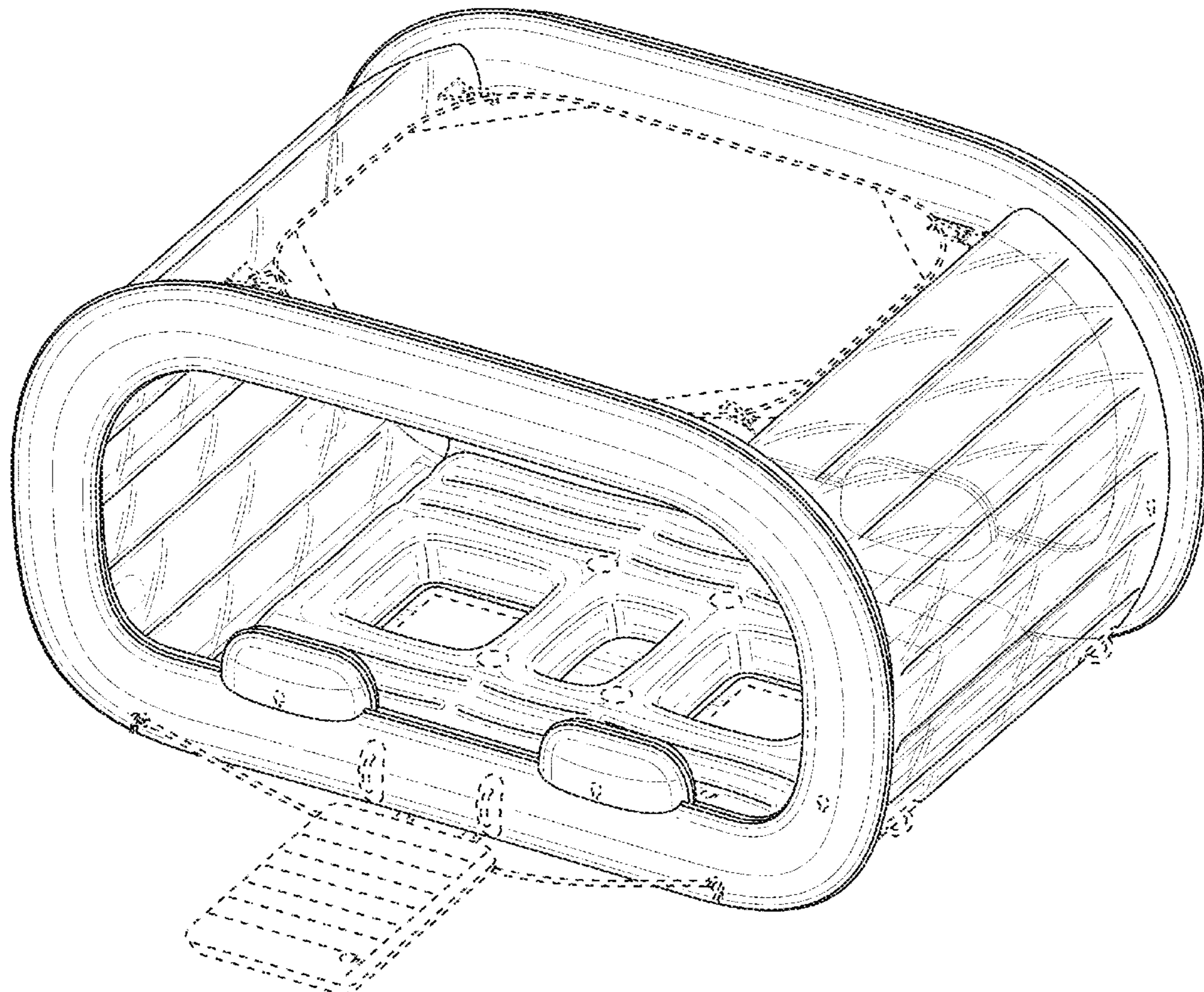
The ornamental design for an inflatable device, as shown and described.

**DESCRIPTION**

FIG. 1 is a top, front, right-side perspective view of an inflatable device;  
FIG. 2 is a back, bottom, left-side perspective view thereof;  
FIG. 3 is a front view thereof;  
FIG. 4 is a back view thereof;  
FIG. 5 is a left-side view thereof;  
FIG. 6 is a right-side view thereof;  
FIG. 7 is a top view thereof; and,  
FIG. 8 is a bottom view thereof.

The dashed broken lines depict portions of the inflatable device that form no part of the claimed design.

**1 Claim, 8 Drawing Sheets**





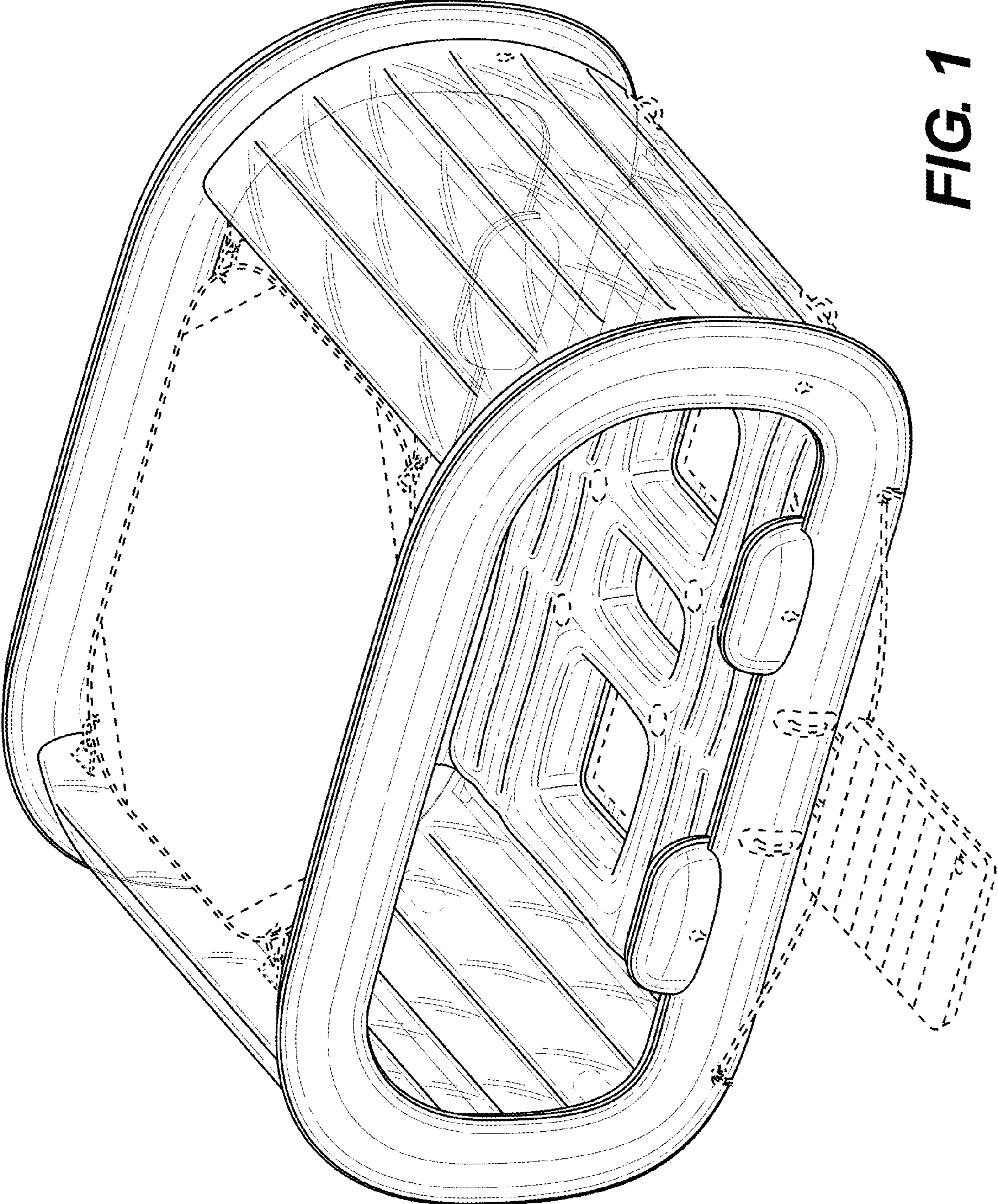
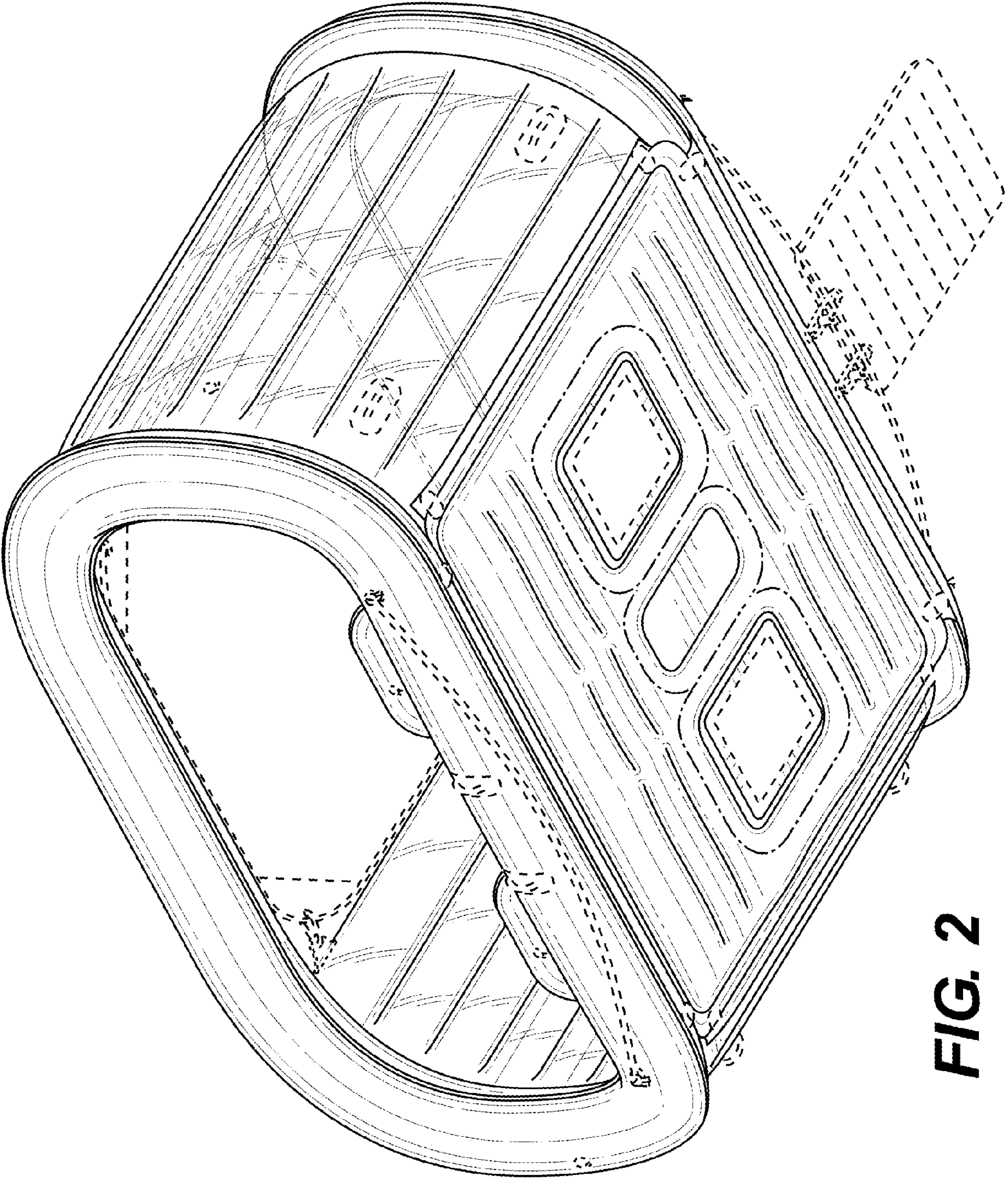
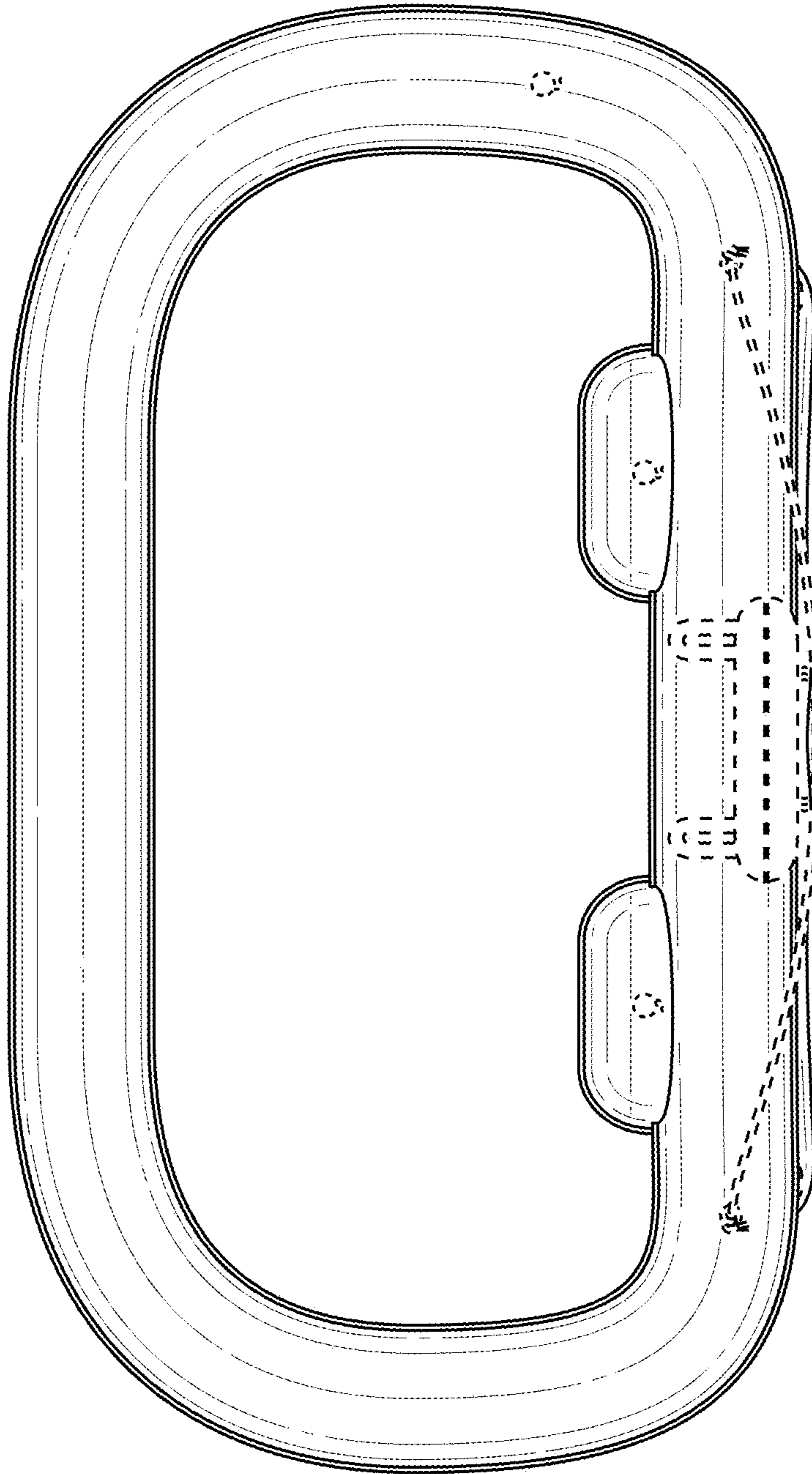


FIG. 1

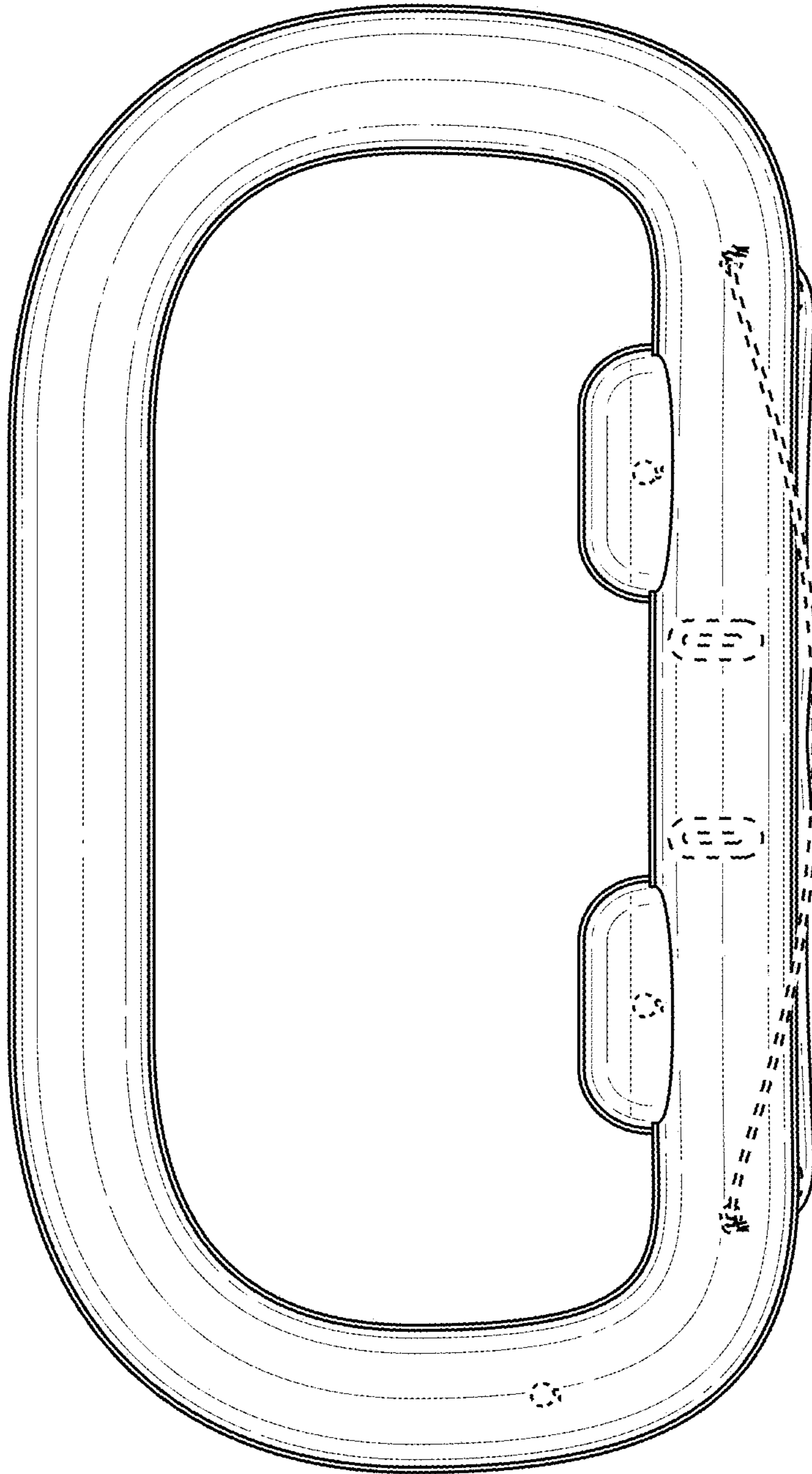




**FIG. 2**

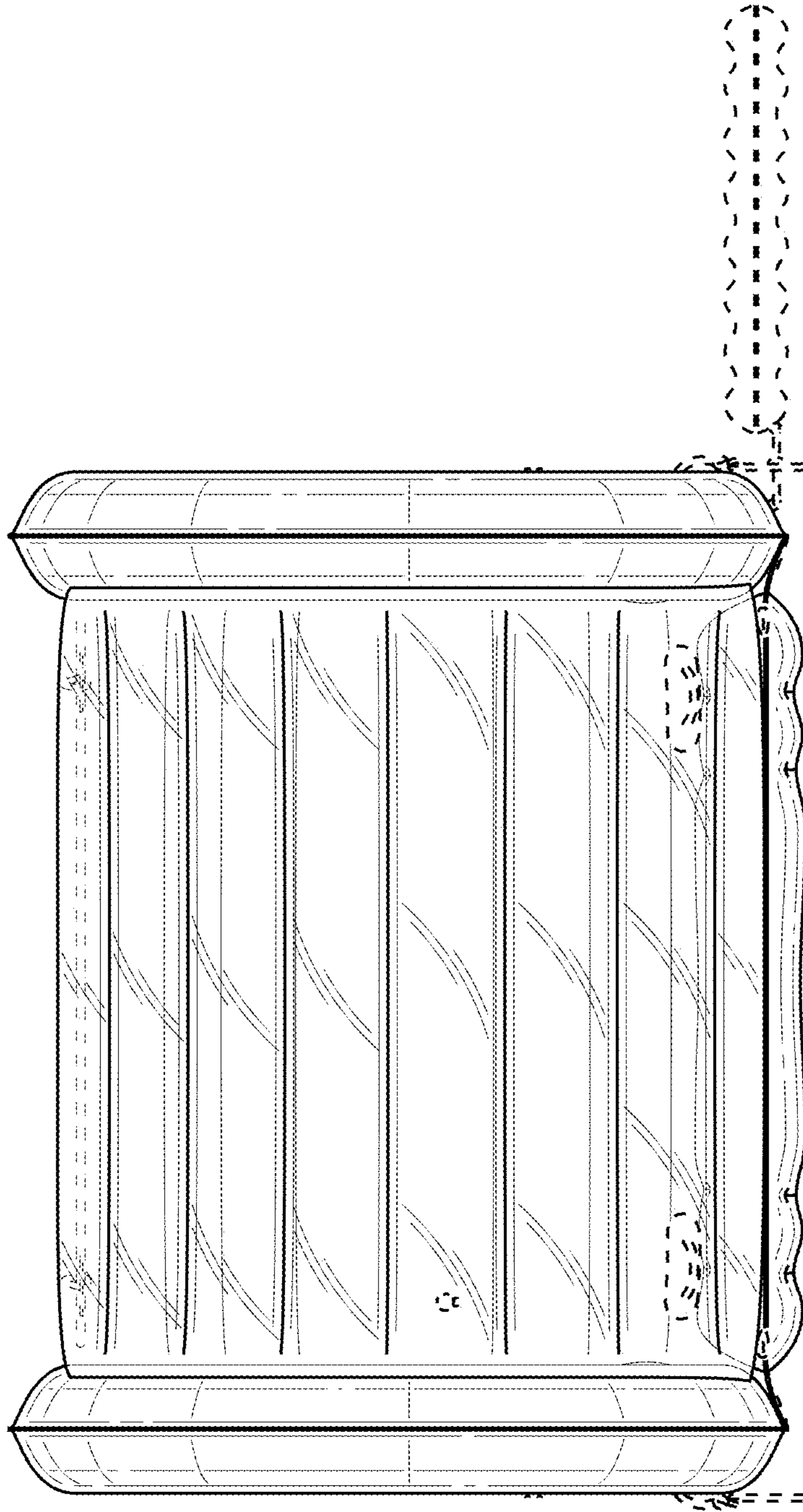


**FIG. 3**

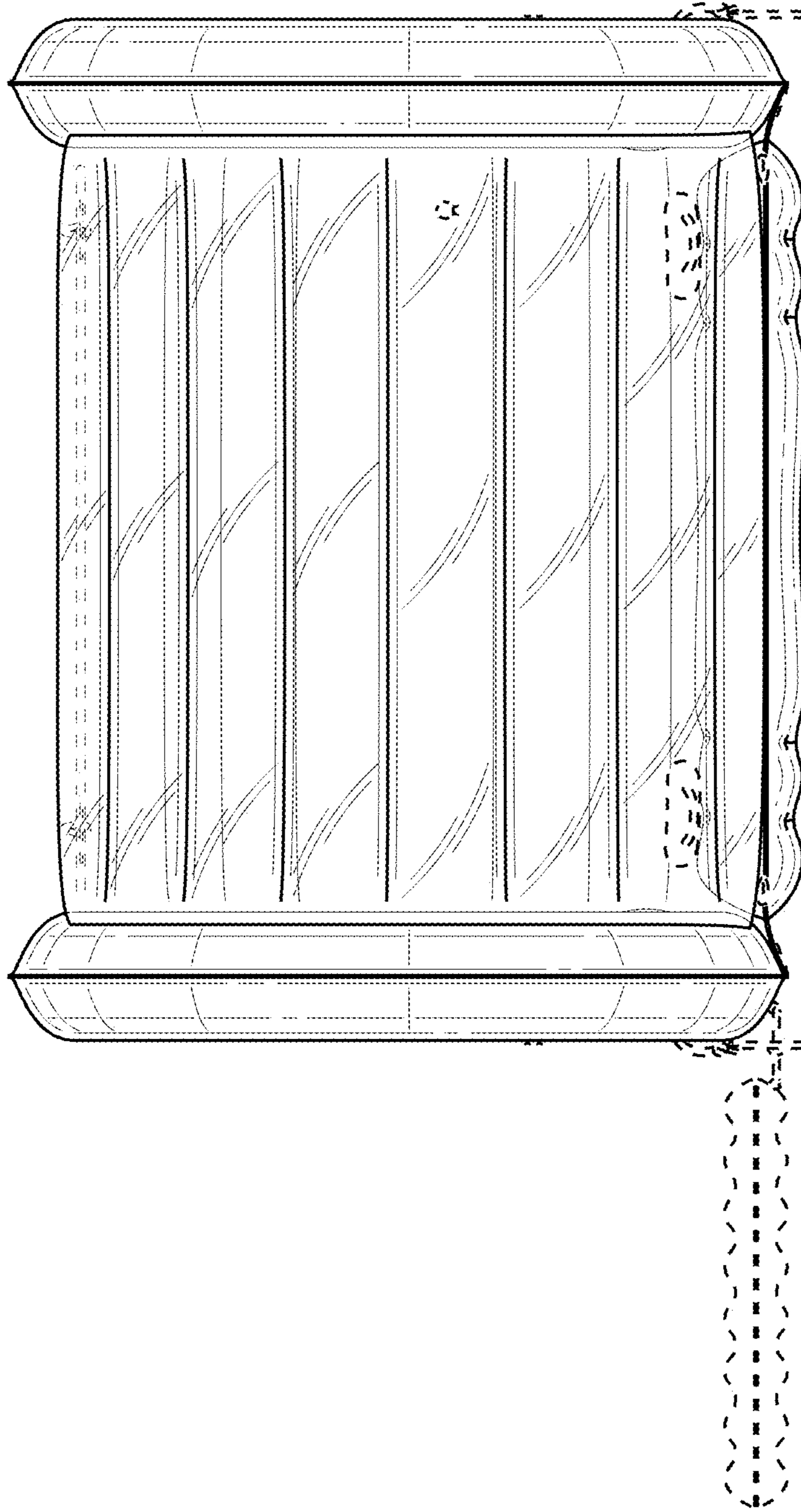


**FIG. 4**

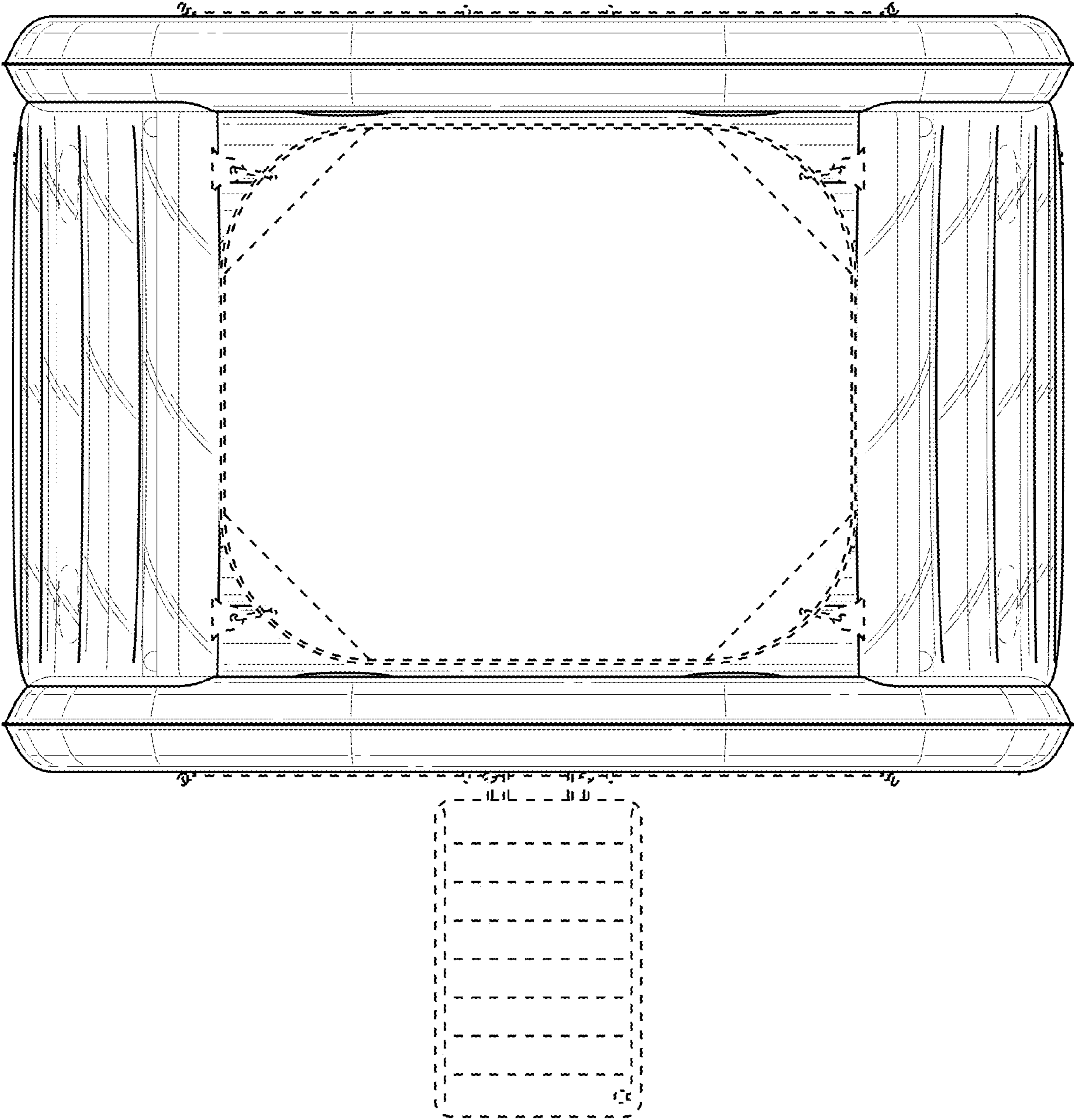




**FIG. 5**

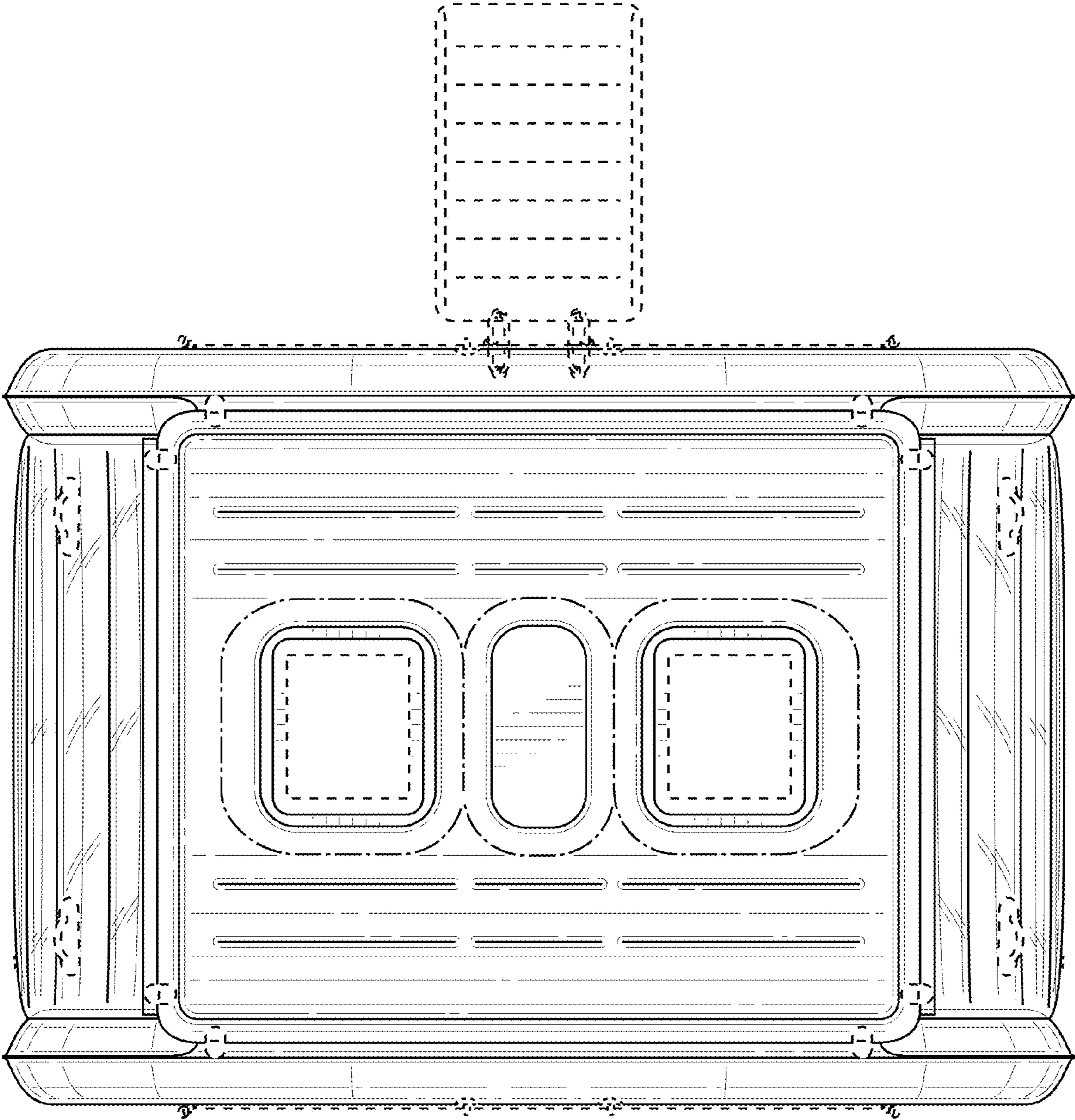


**FIG. 6**



**FIG. 7**





**FIG. 8**