



US00D982697S

(12) **United States Design Patent** (10) **Patent No.:** **US D982,697 S**  
**Briscoe, Sr.** (45) **Date of Patent:** **\*\* Apr. 4, 2023**

(54) **BALL AND TETHER EXERCISE TOOL**

<https://ballbyyourself.com/shop/ols/products/xn-ball-by-yourself-youth-black-hoodie-1mb> (Year: 2021).\*

(71) Applicant: **Chad Eric Briscoe, Sr.**, Emeryville, CA (US)

(Continued)

(72) Inventor: **Chad Eric Briscoe, Sr.**, Emeryville, CA (US)

*Primary Examiner* — Dana K Weiland

*Assistant Examiner* — Emily Anna Saunders

(74) *Attorney, Agent, or Firm* — QuickPatents, LLC; Kevin Prince

(\*\*) Term: **15 Years**

(21) Appl. No.: **29/747,089**

(57) **CLAIM**

The ornamental design for a ball and tether exercise tool, as shown and described.

(22) Filed: **Aug. 19, 2020**

(51) **LOC (14) Cl.** ..... **21-02**

(52) **U.S. Cl.**

USPC ..... **D21/781**

(58) **Field of Classification Search**

USPC ..... D21/465, 466, 698, 717, 718, 719, 775, D21/781

CPC . A63B 69/00; A63B 69/0002; A63B 69/0071; A63B 69/0073; A63B 69/0075; A63B 69/0079; A63B 69/0086; A63B 69/0091; A63B 21/0608

See application file for complete search history.

**DESCRIPTION**

FIG. 1 is a perspective view of a ball and tether exercise tool, showing my new design in a condition of use;

FIG. 2 is a perspective view of the ball and tether exercise tool;

FIG. 3 is a top plan view of FIG. 2;

FIG. 4 is a bottom plan view of FIG. 2;

FIG. 5 is a front elevational view of FIG. 2;

FIG. 6 is a rear elevational view of FIG. 2;

FIG. 7 is a left-side elevational view of FIG. 2;

FIG. 8 is a right-side elevational view of FIG. 2;

FIG. 9 is an enlarged partial perspective view thereof, illustrating the tether element partially removed from a threaded receiver of the ball; and,

FIG. 10 is an enlarged partial perspective view of the tether element fully removed from the threaded receiver of the ball.

The broken lines showing a person in FIG. 1 depict environmental matter and form no part of the claimed design.

The broken lines of the tether element and on the ball depict portions of the ball and tether exercise tool that form no part of the claimed design. The remaining broken lines on the belt element represent stitching and do form part of the claimed design. The appearance of any portion of the tether shown between the break lines forms no part of the claimed design.

(56) **References Cited**

**U.S. PATENT DOCUMENTS**

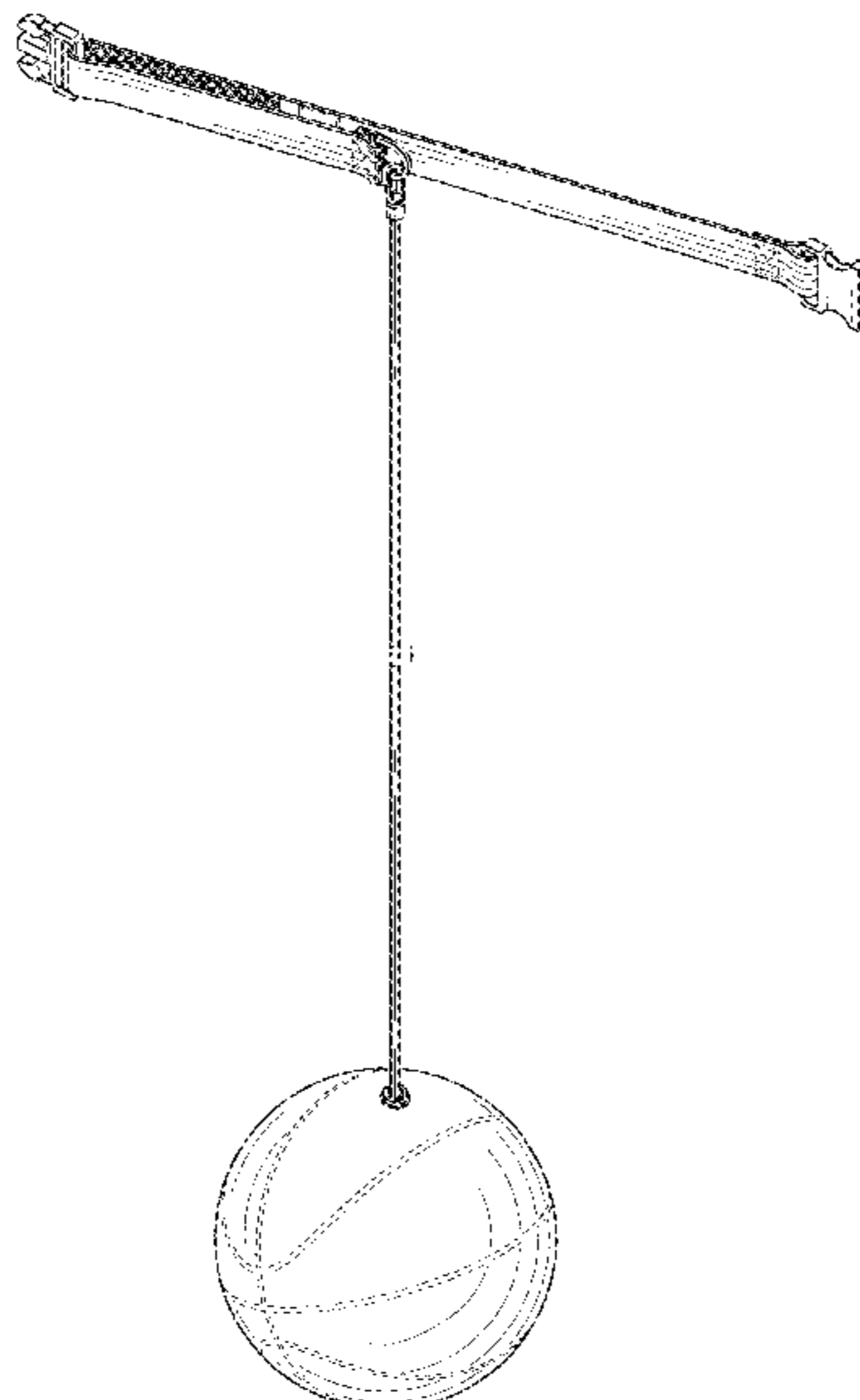
667,563	A *	2/1901	Oakley	.....	A63B 69/0088
					473/424
1,941,877	A *	1/1934	Brazeau	.....	A63B 69/0086
					482/88
4,021,035	A *	5/1977	O'Hara	.....	A63B 69/0086
					482/88
4,071,241	A *	1/1978	Cortes Garcia	.....	A63B 43/02
					473/424

(Continued)

**OTHER PUBLICATIONS**

Ball By Yourself Strap, available on ballbyyourself.com, oldest customer review Jan. 19, 2021, [site visited Jan. 20, 2023], URL:

**1 Claim, 7 Drawing Sheets**



(56)

References Cited

U.S. PATENT DOCUMENTS

4,687,209 A \* 8/1987 Carey ..... A63B 69/0086  
473/424  
5,080,376 A \* 1/1992 Lerner ..... A63B 43/007  
473/424  
5,358,258 A \* 10/1994 Killion ..... A63B 69/0086  
473/576  
5,443,576 A \* 8/1995 Hauter ..... A63B 69/0086  
473/424  
5,669,837 A \* 9/1997 Hauter ..... A63B 69/0086  
473/576  
5,916,046 A \* 6/1999 Allred ..... A63B 69/0079  
473/430  
6,152,838 A \* 11/2000 Killion ..... A63B 43/005  
473/424  
6,168,539 B1 \* 1/2001 Maina ..... A63B 43/007  
473/424  
6,368,241 B1 \* 4/2002 Abel ..... A63B 69/0086  
473/576  
D914,122 S \* 3/2021 Pan ..... D21/466  
2004/0009833 A1 \* 1/2004 Selevan ..... A63B 69/0086  
473/576  
2004/0192156 A1 \* 9/2004 Abel ..... A63B 69/0079  
446/26  
2006/0111205 A1 \* 5/2006 Abel ..... A63B 69/0086  
473/576  
2008/0200289 A1 \* 8/2008 Abel ..... A63B 43/007  
473/576  
2009/0197711 A1 \* 8/2009 Sommers ..... A63B 69/00  
473/508

2011/0039640 A1 \* 2/2011 Principe ..... A63B 69/0002  
473/458  
2018/0071607 A1 \* 3/2018 Alexander ..... A63B 69/38  
2018/0207505 A1 \* 7/2018 Briscoe ..... A63B 69/0086

OTHER PUBLICATIONS

Ball By Yourself, available on Youtube.com, date posted Sep. 16, 2021, [site visited Jan. 20, 2023], URL: <https://www.youtube.com/watch?v=eWHdYtyU0UM> (Year: 2021).\*

Ball By Yourself, available on Youtube.com, date posted Sep. 13, 2022, [site visited Jan. 20, 2023], URL: <https://www.youtube.com/watch?v=DT7a7wb30o8> (Year: 2022).\*

Ball By Yourself Straps over Gun Straps, available on Youtube.com, date posted Aug. 12, 2022, [site visited Jan. 20, 2023], URL: <https://www.youtube.com/watch?v=ZSQu7hWzIKg> (Year: 2022).\*

Ball By Yourself Training Strap, available on Amazon.com, date first available Nov. 19, 2022, oldest customer review Jan. 4, 2023, [site visited Jan. 20, 2023], URL: <https://www.amazon.com/dp/B0BMW6YTNZ/> (Year: 2022).\*

One Football Soccer Trainer, available on aliexpress.us, no date available, [site visited Jan. 20, 2023], URL: <https://www.aliexpress.us/item/2251832457415525.html> (Year: 2023).\*

Power Dribble Basketball Equipment, available on Amazon.com, date first available Aug. 24, 2016, oldest customer review Feb. 29, 2016, [site visited Jan. 20, 2023], URL: <https://www.amazon.com/Official-Power-Dribble-Basketball-Equipment/dp/B014TOBE9I?th=1> (Year: 2016).\*

\* cited by examiner

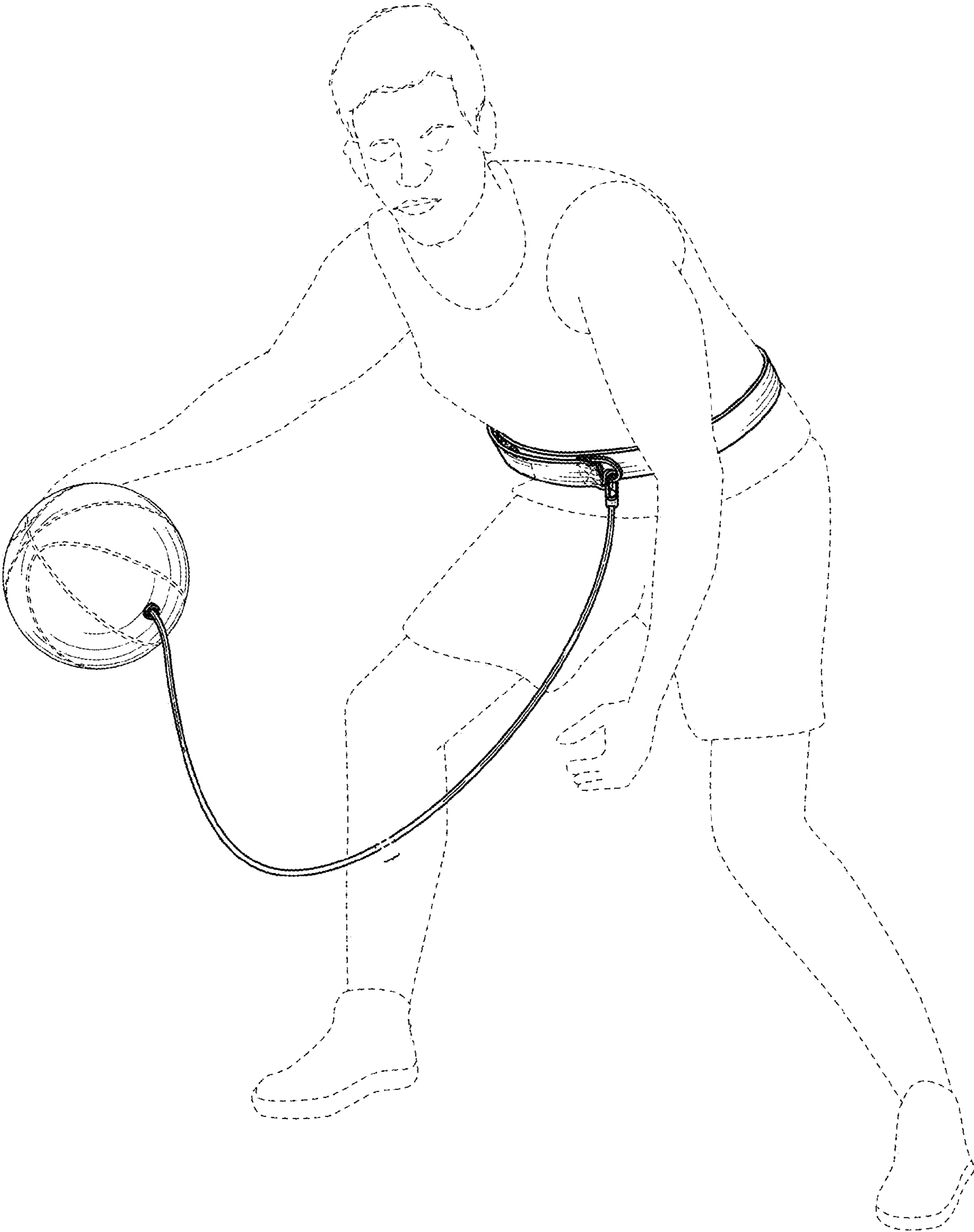


FIG. 1

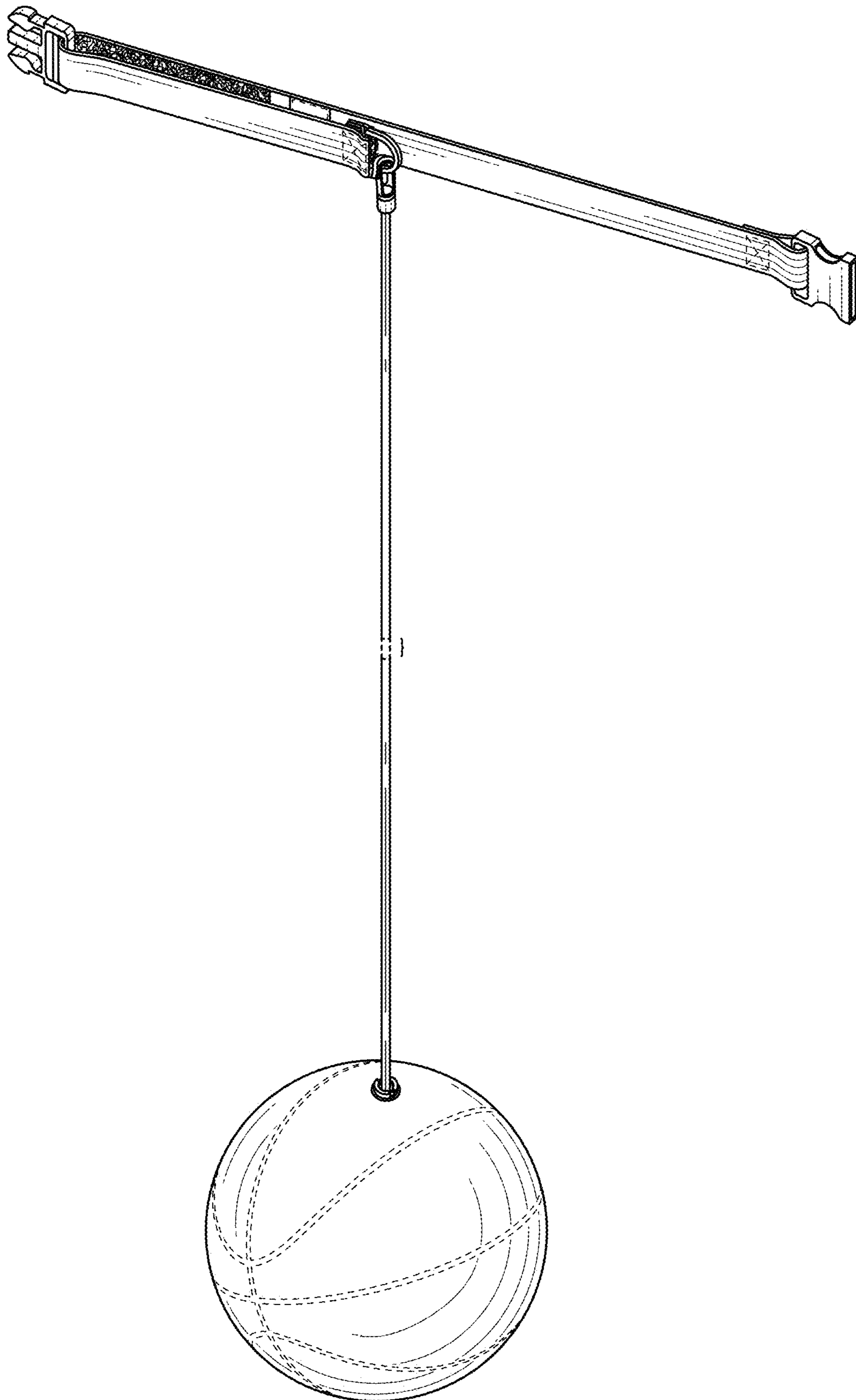


FIG. 2

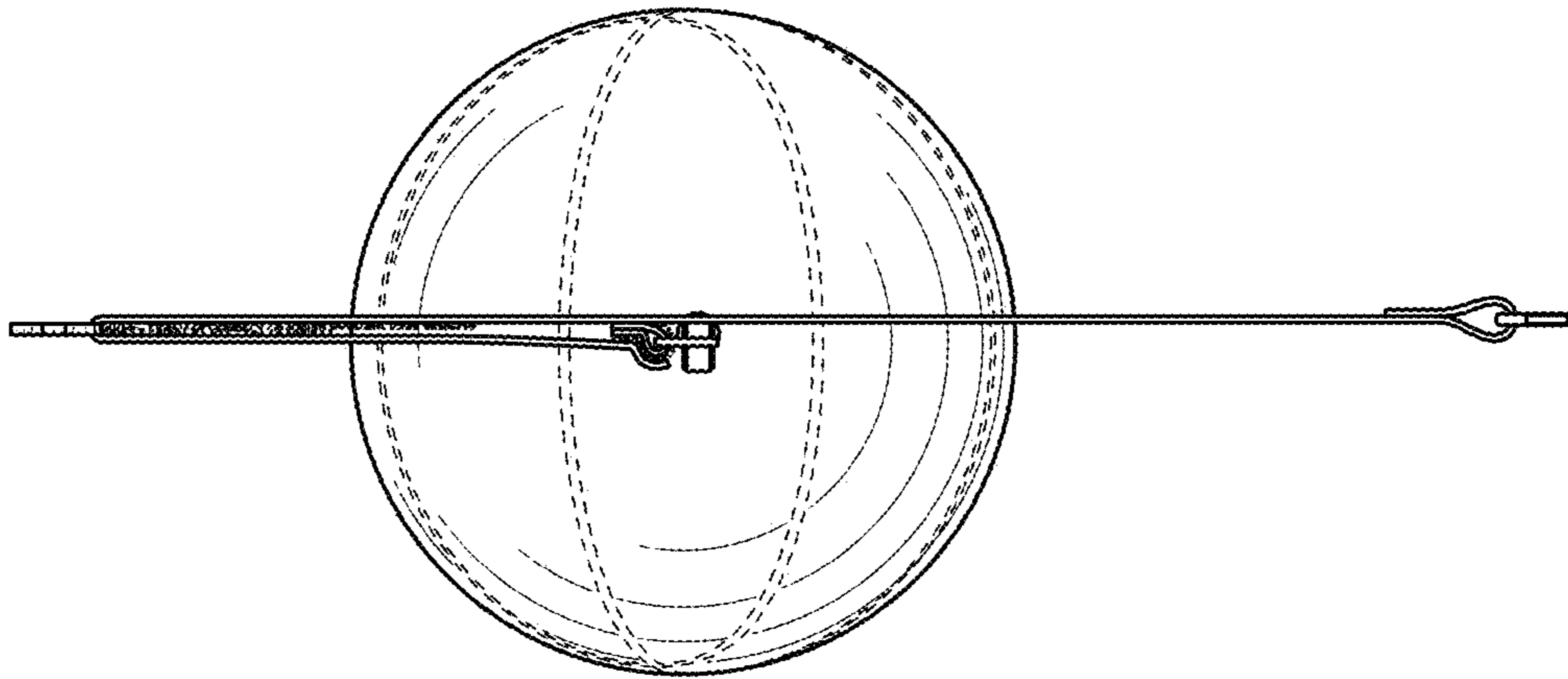


FIG. 3

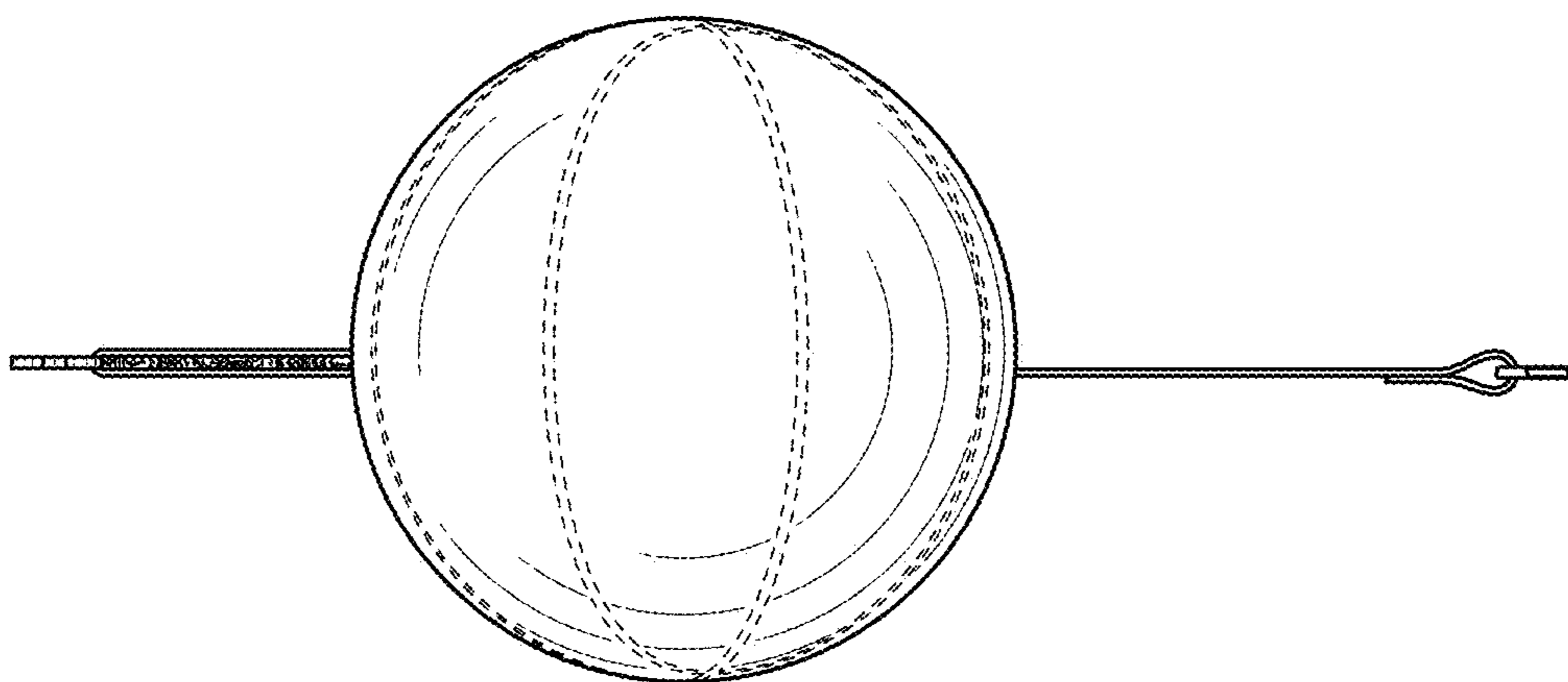


FIG. 4

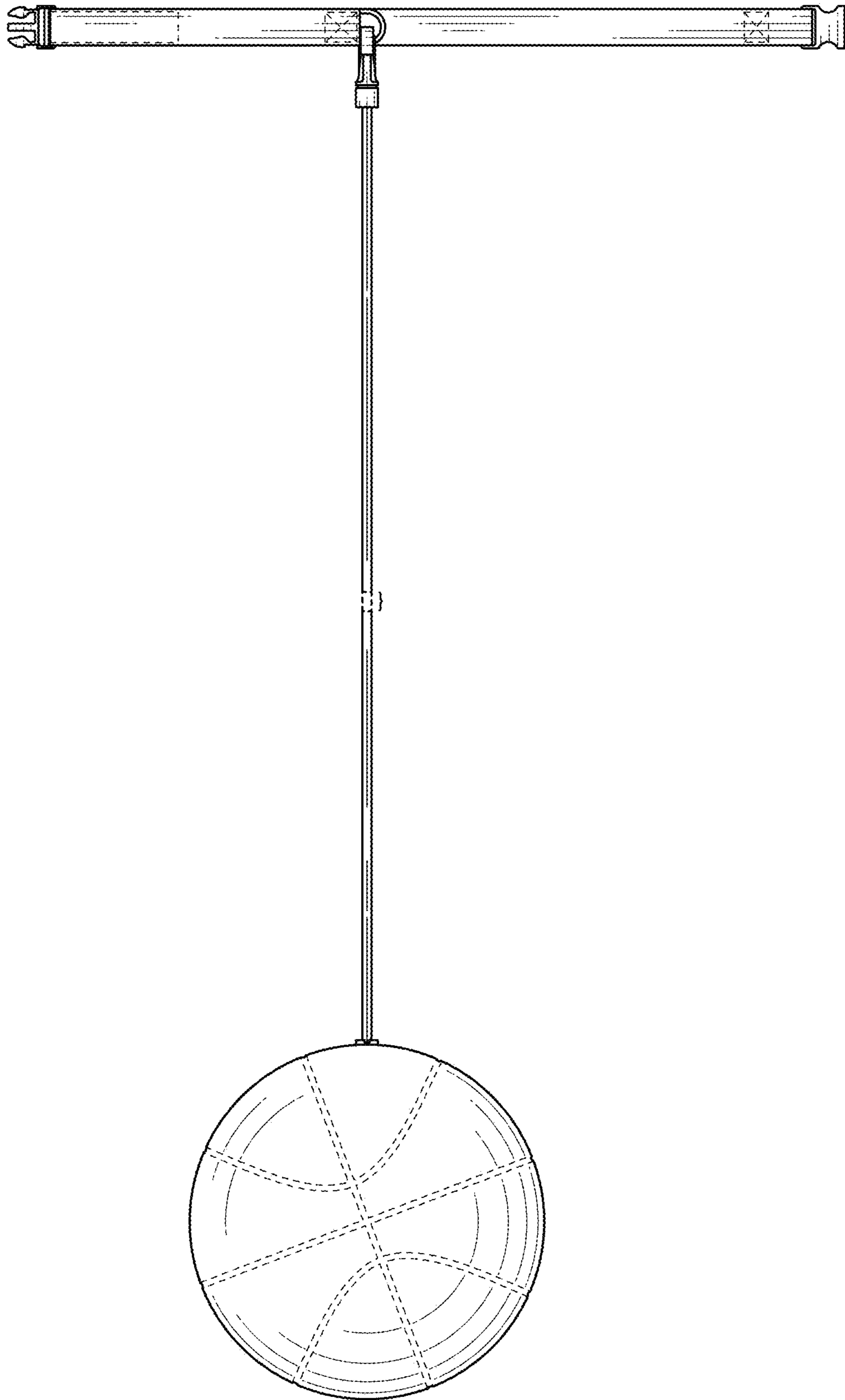


FIG. 5

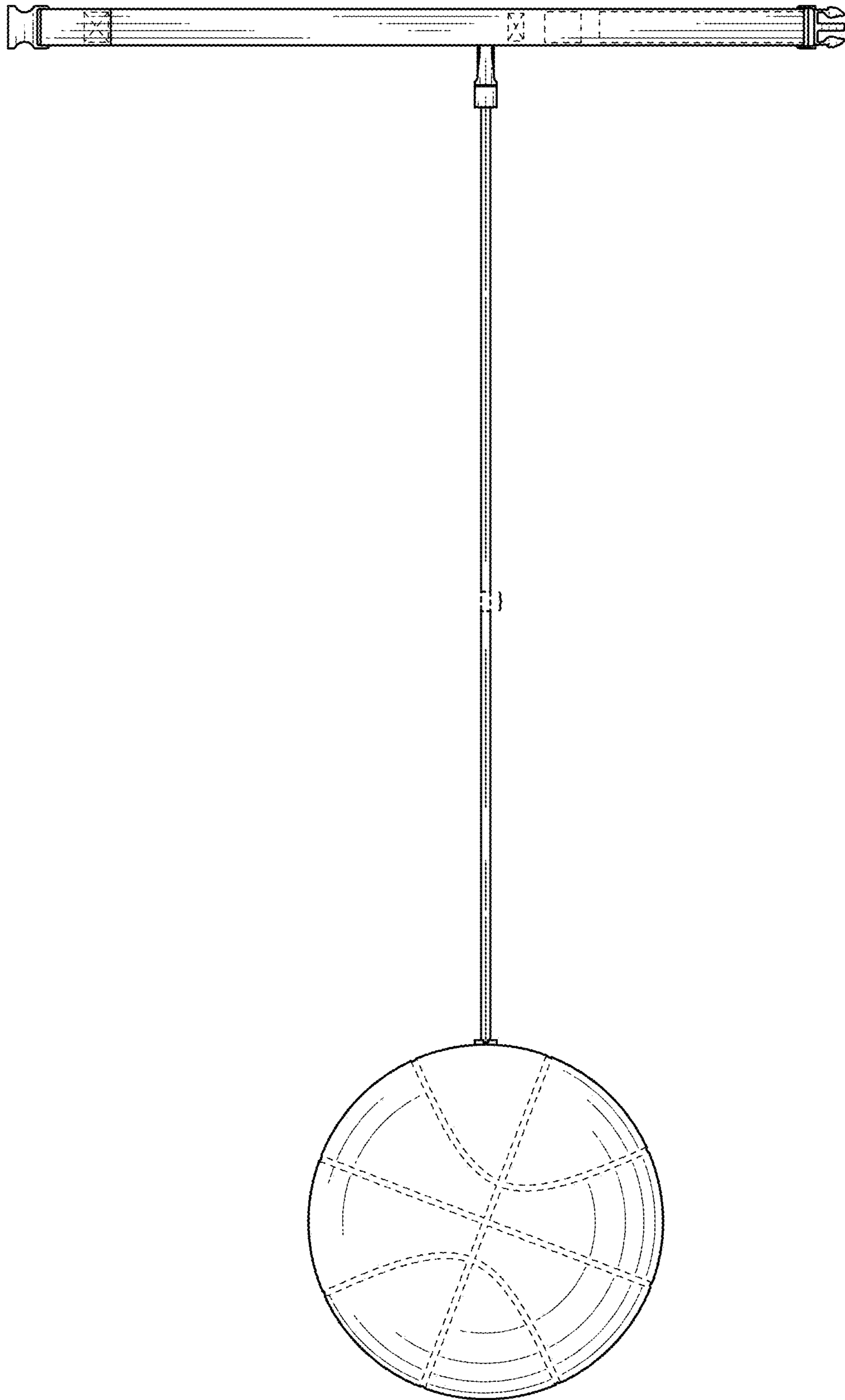


FIG. 6

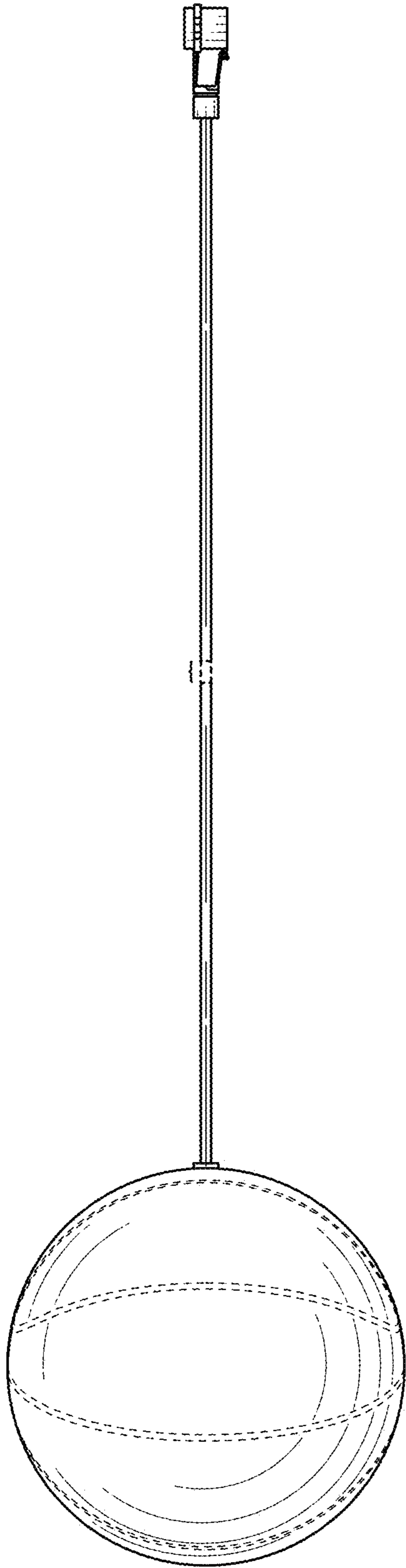


FIG. 7

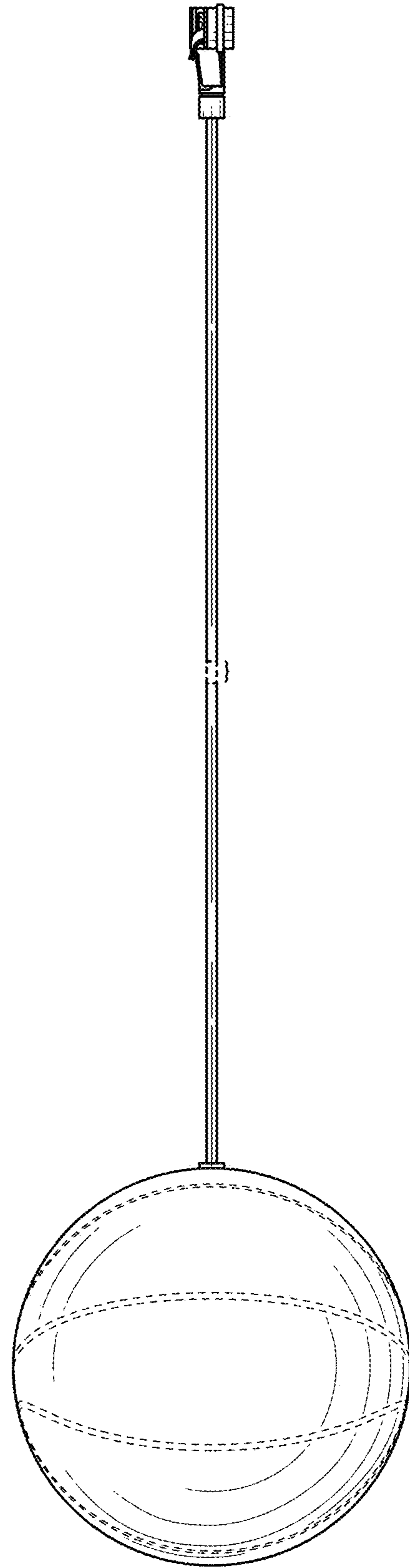


FIG. 8



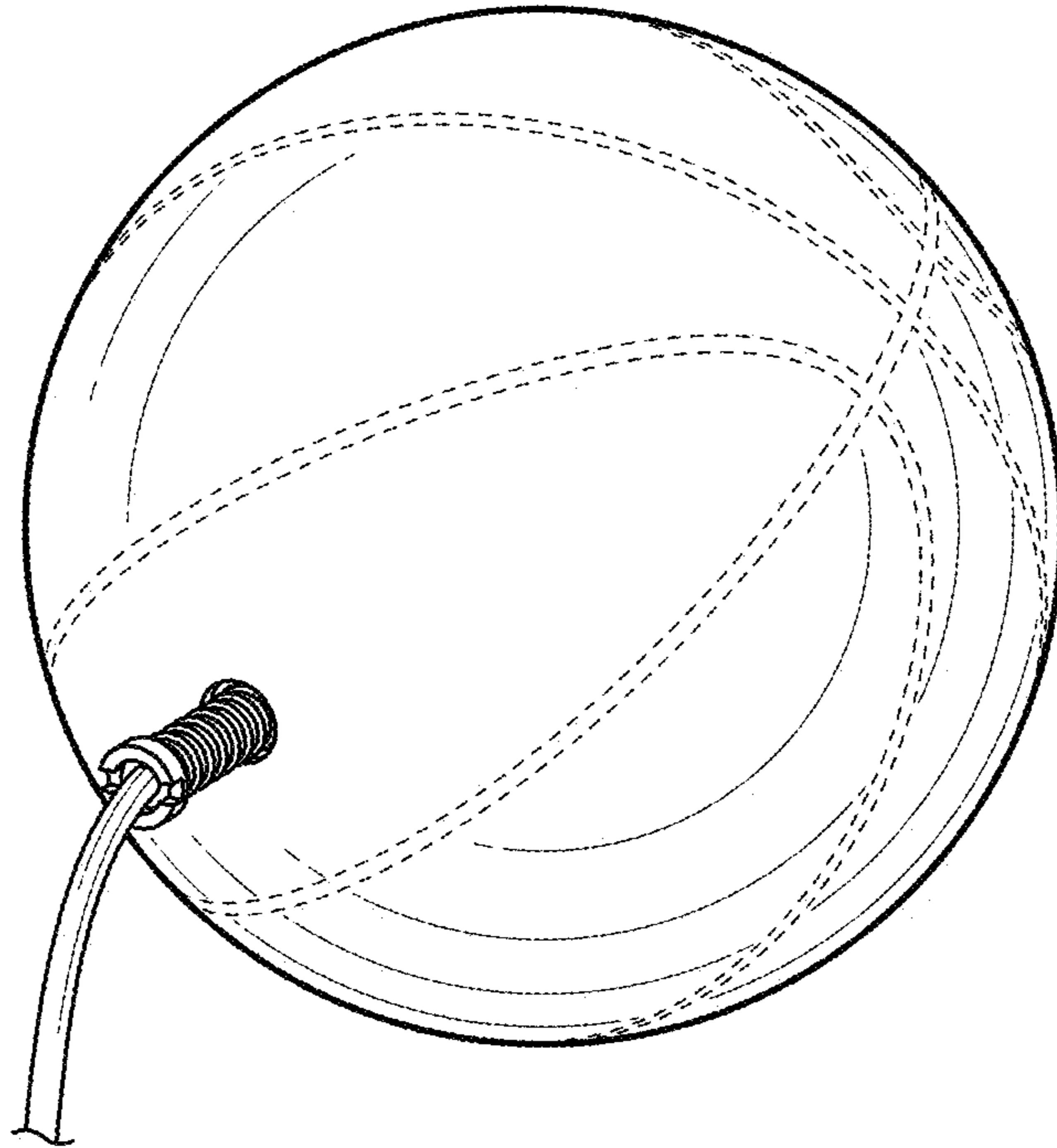


FIG. 9

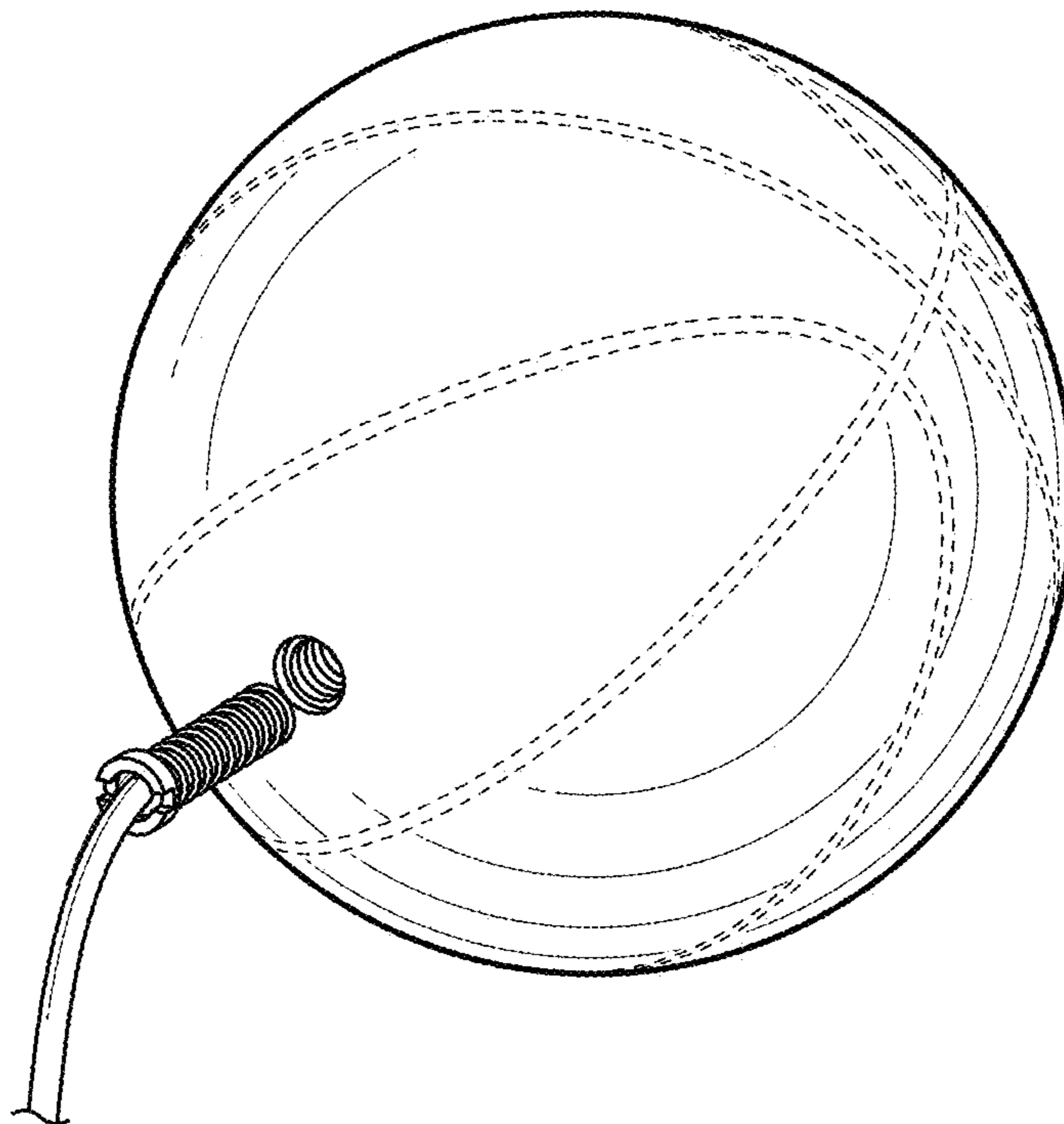


FIG. 10