



US00D982694S

(12) **United States Design Patent**
Cao

(10) **Patent No.:** **US D982,694 S**

(45) **Date of Patent:** **** Apr. 4, 2023**

(54) **ELECTRIC SELF-BALANCING SCOOTER**

(71) Applicant: **Zhifeng Cao**, Shanxi (CN)

(72) Inventor: **Zhifeng Cao**, Shanxi (CN)

(73) Assignee: **Shenzhen Tomoloo Technology Industrial Co., LTD.**, Shenzhen (CN)

(**) Term: **15 Years**

(21) Appl. No.: **29/759,102**

(22) Filed: **Nov. 20, 2020**

(51) **LOC (14) Cl.** **12-07**

(52) **U.S. Cl.**
USPC **D21/760**; D21/419; D21/421

(58) **Field of Classification Search**
USPC D12/1, 2, 3, 4, 107, 207; D21/419, 421,
D21/493, 426, 760
CPC B62K 11/007; B62K 2204/00
See application file for complete search history.

(56) **References Cited**

U.S. PATENT DOCUMENTS

D785,112 S *	4/2017	Ying	D21/760
D786,130 S *	5/2017	Huang	D12/1
D805,429 S *	12/2017	Cao	D12/1
D807,457 S *	1/2018	Desberg	D12/1
D808,300 S *	1/2018	Cao	D12/1
D808,857 S *	1/2018	Zhang	D12/1
D834,448 S *	11/2018	Wang	D21/760
D837,323 S *	1/2019	Desberg	B62K 11/007
				D21/760
D857,137 S *	8/2019	Cao	D21/760
10,421,006 B1 *	9/2019	Li	A63C 17/002
D886,670 S *	6/2020	Cao	D21/760
D891,297 S *	7/2020	Zhou	D12/1
D902,077 S *	11/2020	Wang	D21/760

D905,595 S *	12/2020	Wang	D12/1
D921,798 S *	6/2021	Shen	D21/763
D921,799 S *	6/2021	Shen	D21/763
D921,800 S *	6/2021	Shen	D21/763
D928,264 S *	8/2021	Ke	D21/763
D965,718 S *	10/2022	Ye	D21/763
2019/0382065 A1 *	12/2019	Shang	B62J 50/21
2022/0266940 A1 *	8/2022	Zang	B62J 45/41

OTHER PUBLICATIONS

“Tomoloo Hoverboards for Kids Ages 6-12, 6.5” Two- Wheel All Terrain ORoad Hoverboard for Adults Hover Board All Terrain” amazon.com, post Published Jan. 15, 2018. Retrieved Nov. 15, 2022. Available online at URL:https://www.amazon.com/gp/product/B078JVPSP1/?tag=nextsta1676-20 (Year: 2018).*

* cited by examiner

Primary Examiner — Christian P. McLean
Assistant Examiner — Jessica Lynn Devilbiss

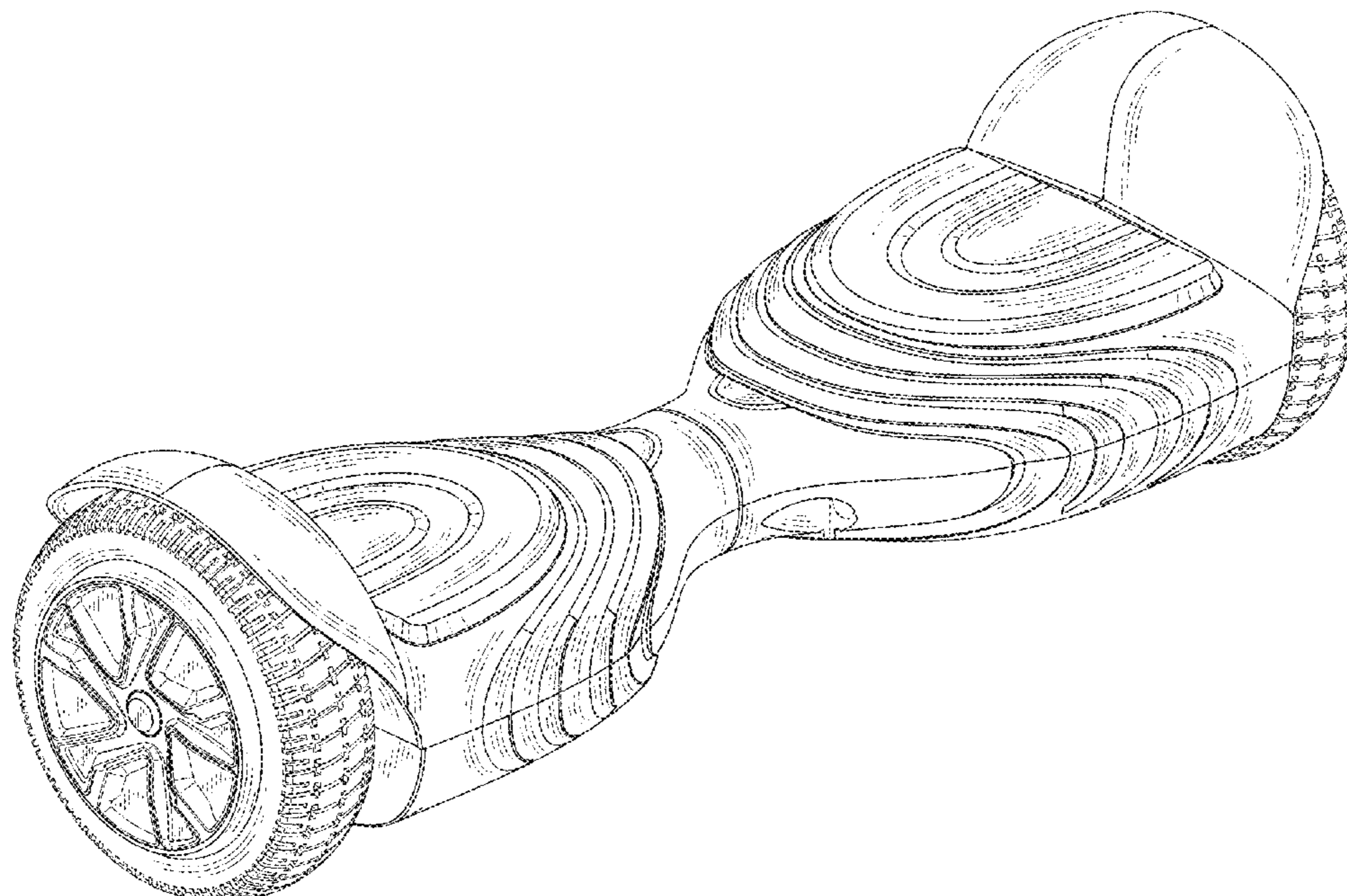
(57) **CLAIM**

The ornamental design for an electric self-balancing scooter, as shown and described.

DESCRIPTION

FIG. 1 is a perspective view of an electric self-balancing scooter showing my new design;
FIG. 2 is a front elevational view thereof;
FIG. 3 is a rear elevational view thereof;
FIG. 4 is a left side elevational view thereof;
FIG. 5 is a right side elevational view thereof;
FIG. 6 is a top plan view thereof; and,
FIG. 7 is a bottom plan view thereof.
The broken lines in the drawings depict portions of the electric self-balancing scooter that form no part of the claimed design.

1 Claim, 7 Drawing Sheets



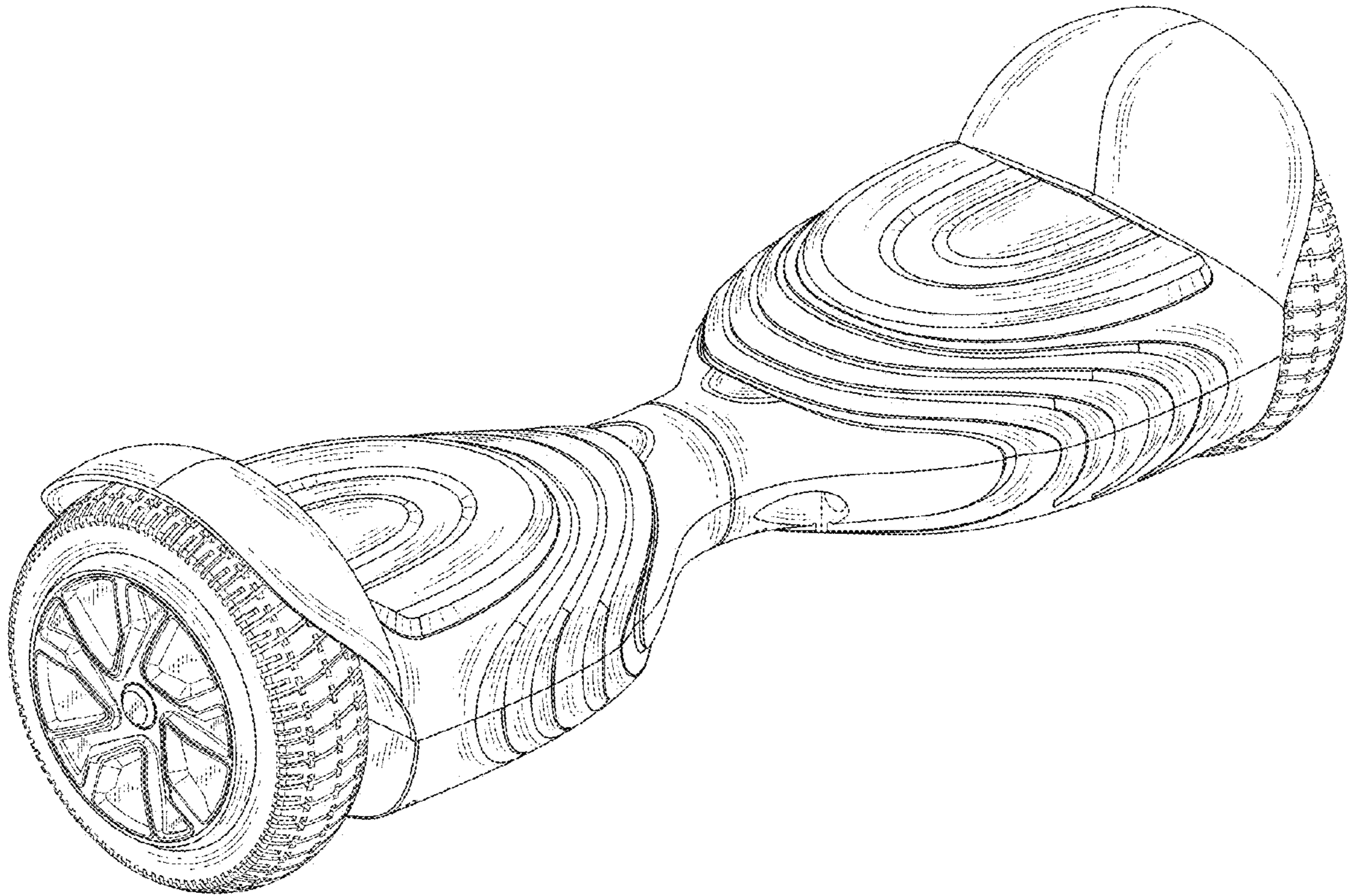


FIG. 1

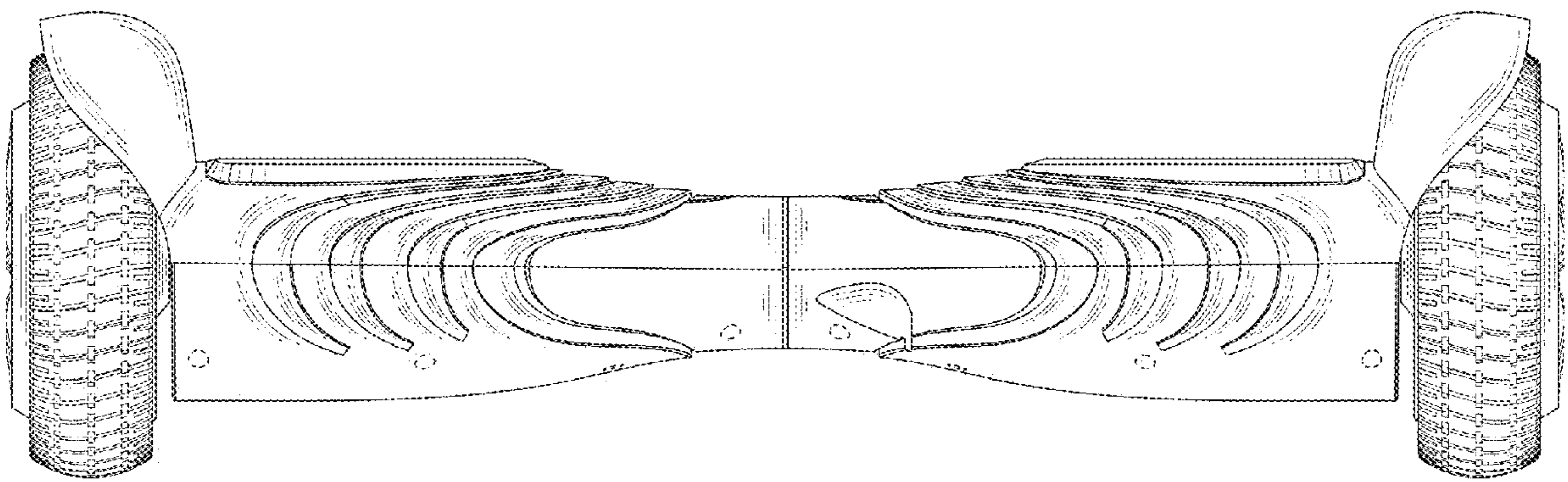


FIG. 2

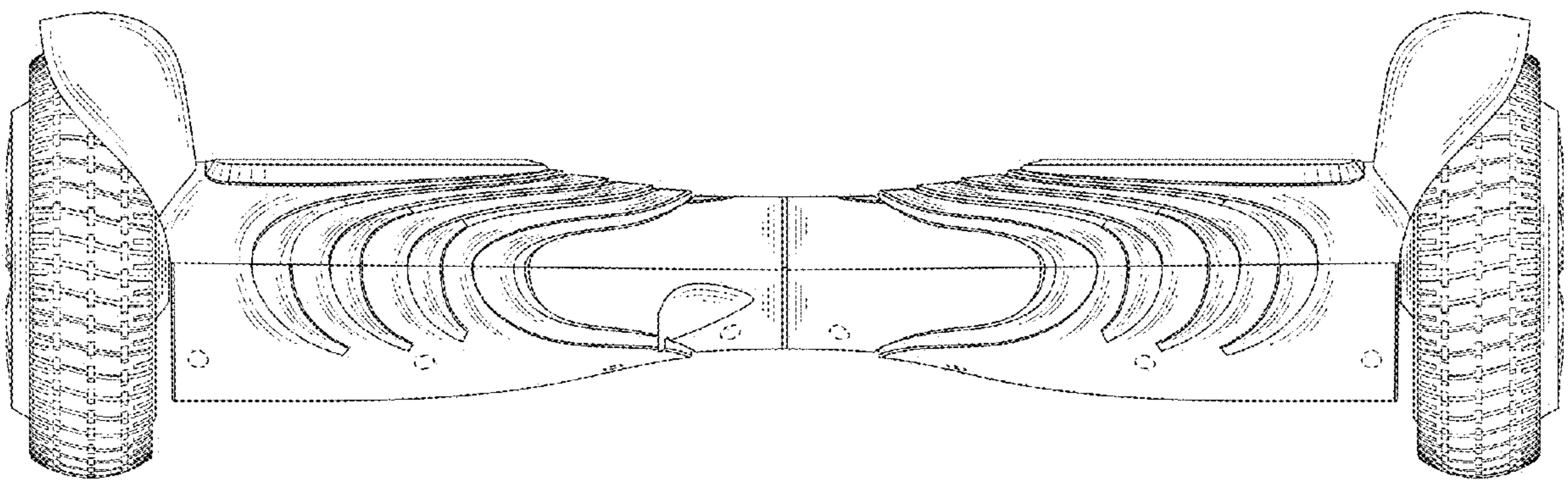


FIG. 3

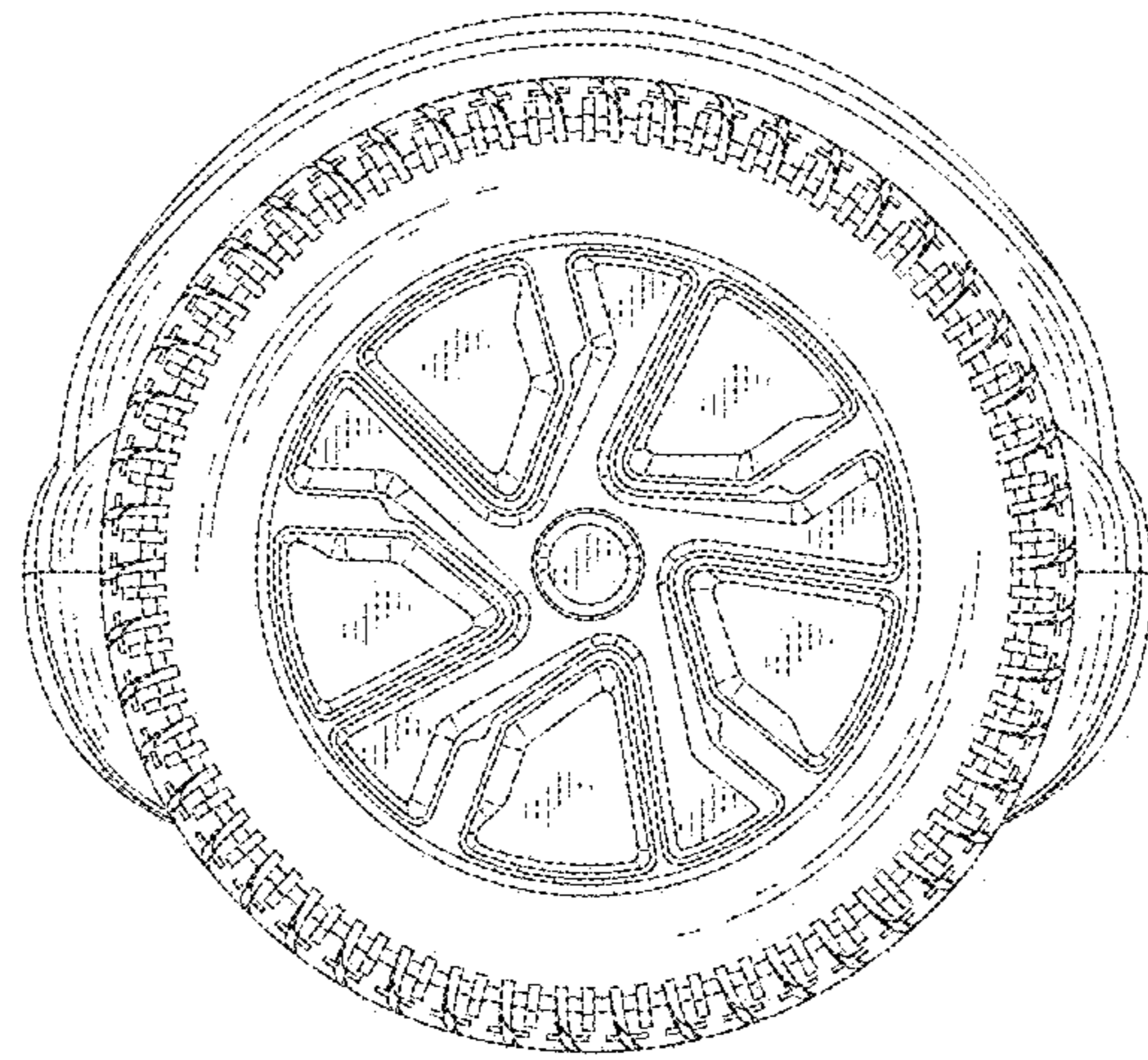


FIG. 4

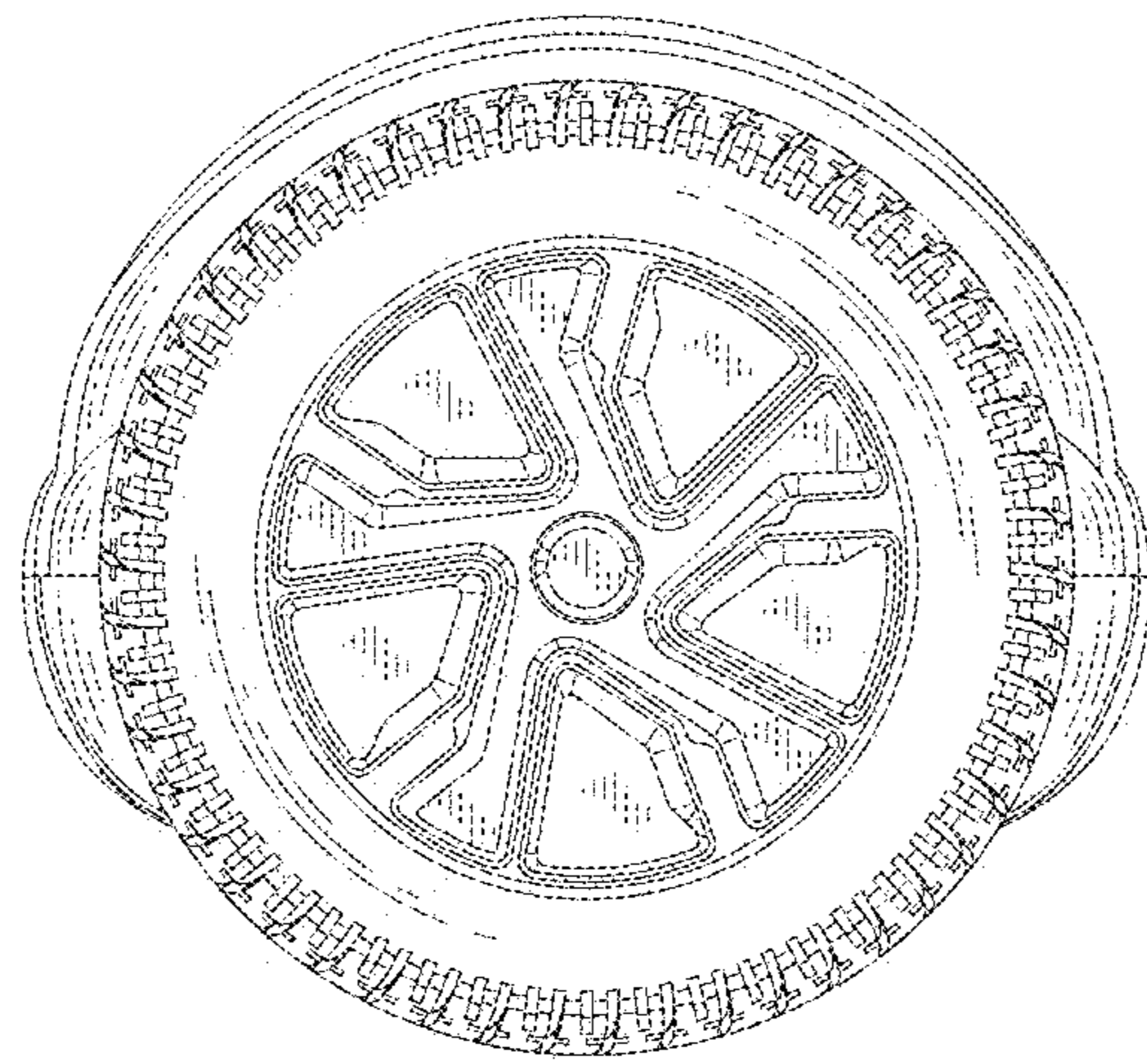


FIG. 5

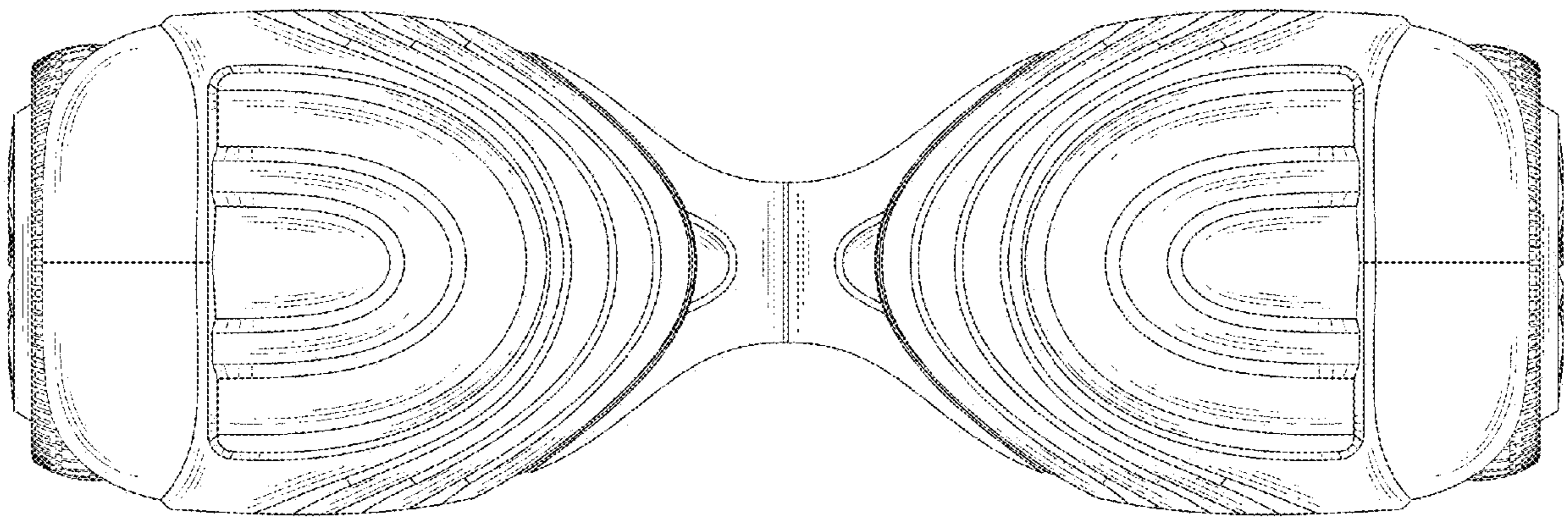


FIG. 6

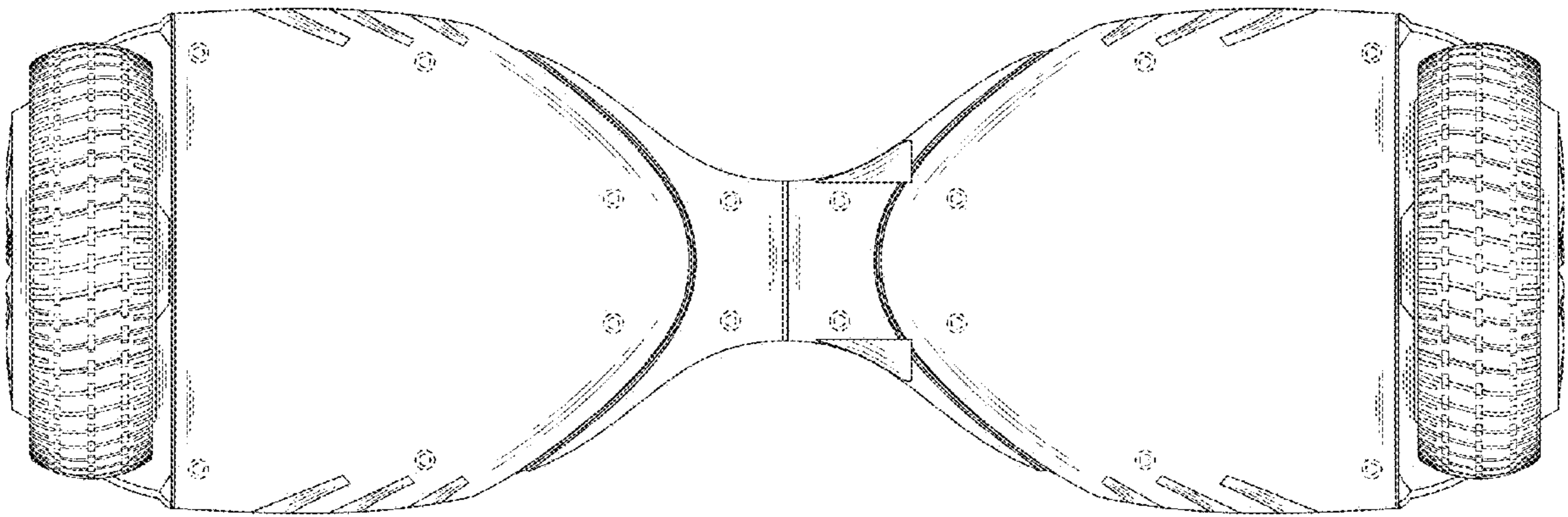


FIG. 7