



US00D982692S

(12) **United States Design Patent**
Toulon et al.

(10) **Patent No.:** **US D982,692 S**

(45) **Date of Patent:** **** *Apr. 4, 2023**

(54) **PUTTER HEAD**

(71) Applicant: **Callaway Golf Company**, Carlsbad, CA (US)

(72) Inventors: **Sean Toulon**, Vista, CA (US); **Luke Williams**, Carlsbad, CA (US); **Patrick Dawson**, Poway, CA (US); **JulieAnn Larson**, Oceanside, CA (US); **Keith Kingston**, Carlsbad, CA (US)

(73) Assignee: **Topgolf Callaway Brands Corp.**, Carlsbad, CA (US)

(*) Notice: This patent is subject to a terminal disclaimer.

(**) Term: **15 Years**

(21) Appl. No.: **29/797,661**

(22) Filed: **Jul. 1, 2021**

(51) **LOC (14) Cl.** **21-02**

(52) **U.S. Cl.**
USPC **D21/744**

(58) **Field of Classification Search**
USPC D21/736-746, 759
CPC A63B 53/00; A63B 53/04; A63B 53/007;
A63B 53/065; A63B 53/0487; A63B
60/00; A63B 60/46
See application file for complete search history.

(56) **References Cited**

U.S. PATENT DOCUMENTS

D350,177 S *	8/1994	Ramirez	D21/745
D517,143 S *	3/2006	Petsel	D21/742
D532,845 S *	11/2006	Rollinson	D21/736
D565,681 S *	4/2008	Tanaka	D21/736
D573,673 S *	7/2008	Noyes	D21/721
D574,908 S *	8/2008	Hettinger	D21/743
D582,497 S *	12/2008	Rollinson	D21/744
D590,461 S *	4/2009	Kim	D21/743

D591,807 S *	5/2009	Rollinson	D21/744
D688,341 S *	8/2013	Rollinson	D21/746
D691,226 S *	10/2013	Hilton	D21/746
D773,573 S *	12/2016	Abbott	D21/744
D801,457 S *	10/2017	Lewis	D21/736
D807,453 S *	1/2018	Serrano	D21/743
D815,222 S *	4/2018	Serrano	D21/743
D832,381 S *	10/2018	Serrano	D21/743
D844,722 S *	4/2019	Wang	D21/736
D860,356 S *	9/2019	Rollinson	D21/744
D882,006 S *	4/2020	Serrano	D21/736
D892,954 S *	8/2020	Clarke	D21/736
D893,645 S *	8/2020	Serrano	D21/743
D895,748 S *	9/2020	Rollinson	D21/743
D910,789 S *	2/2021	Schweigert	D21/736
D912,174 S *	3/2021	Toulon	D21/743

(Continued)

OTHER PUBLICATIONS

Golf putters google search; google.com; Dec. 8, 2022.*
Odyssey golf putters; callawaygolf.com; Dec. 8, 2022.*

Primary Examiner — Mitchell I. Siegel

(74) *Attorney, Agent, or Firm* — Michael A. Catania;
Rebecca Hanovice; Sonia Lari

(57) **CLAIM**

The ornamental design for a putter head, as shown and described.

DESCRIPTION

FIG. 1 is a rear perspective view of the putter head claimed herein;

FIG. 2 is a front elevational view thereof;

FIG. 3 is a rear elevational view thereof;

FIG. 4 is a left side elevational view thereof;

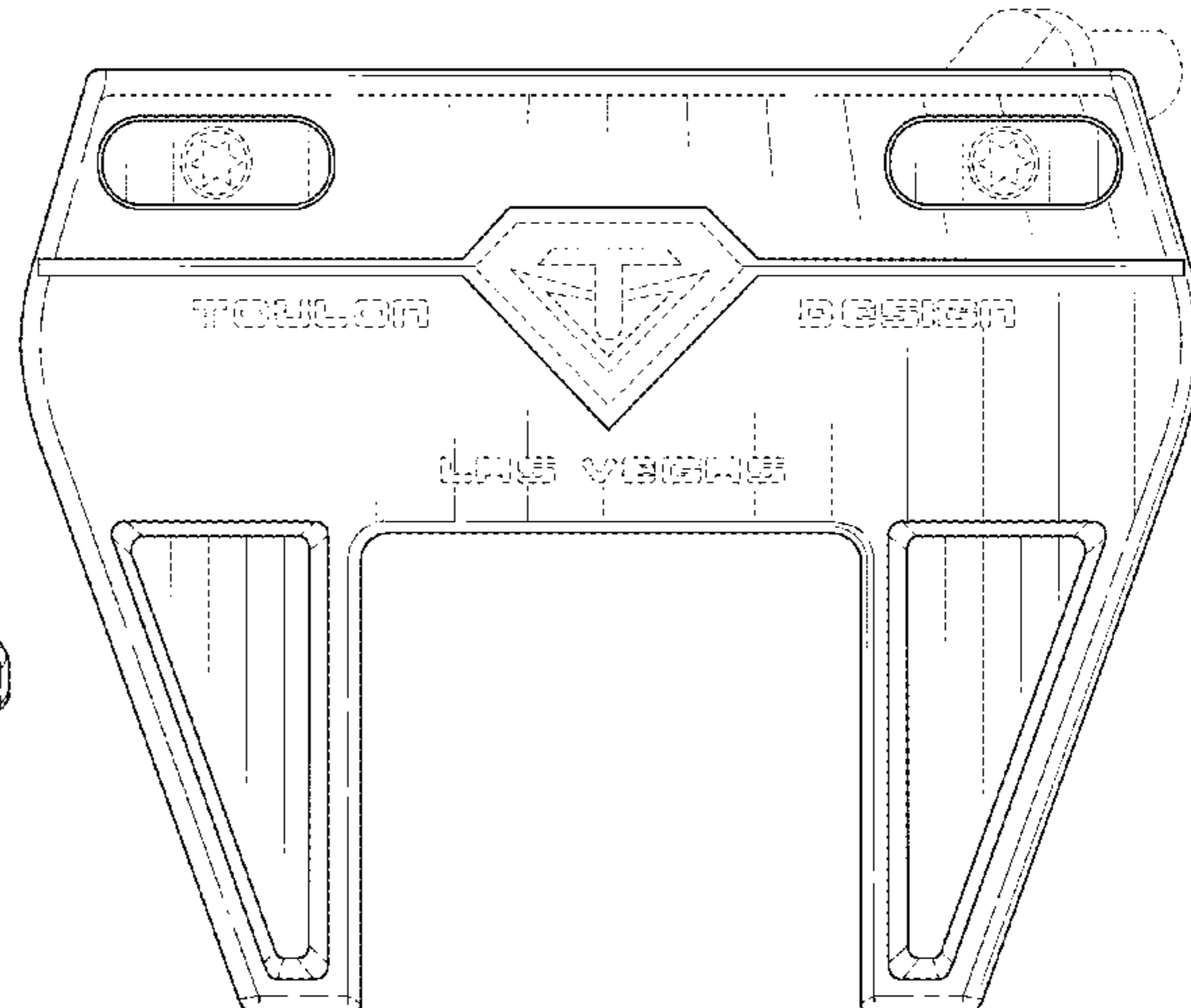
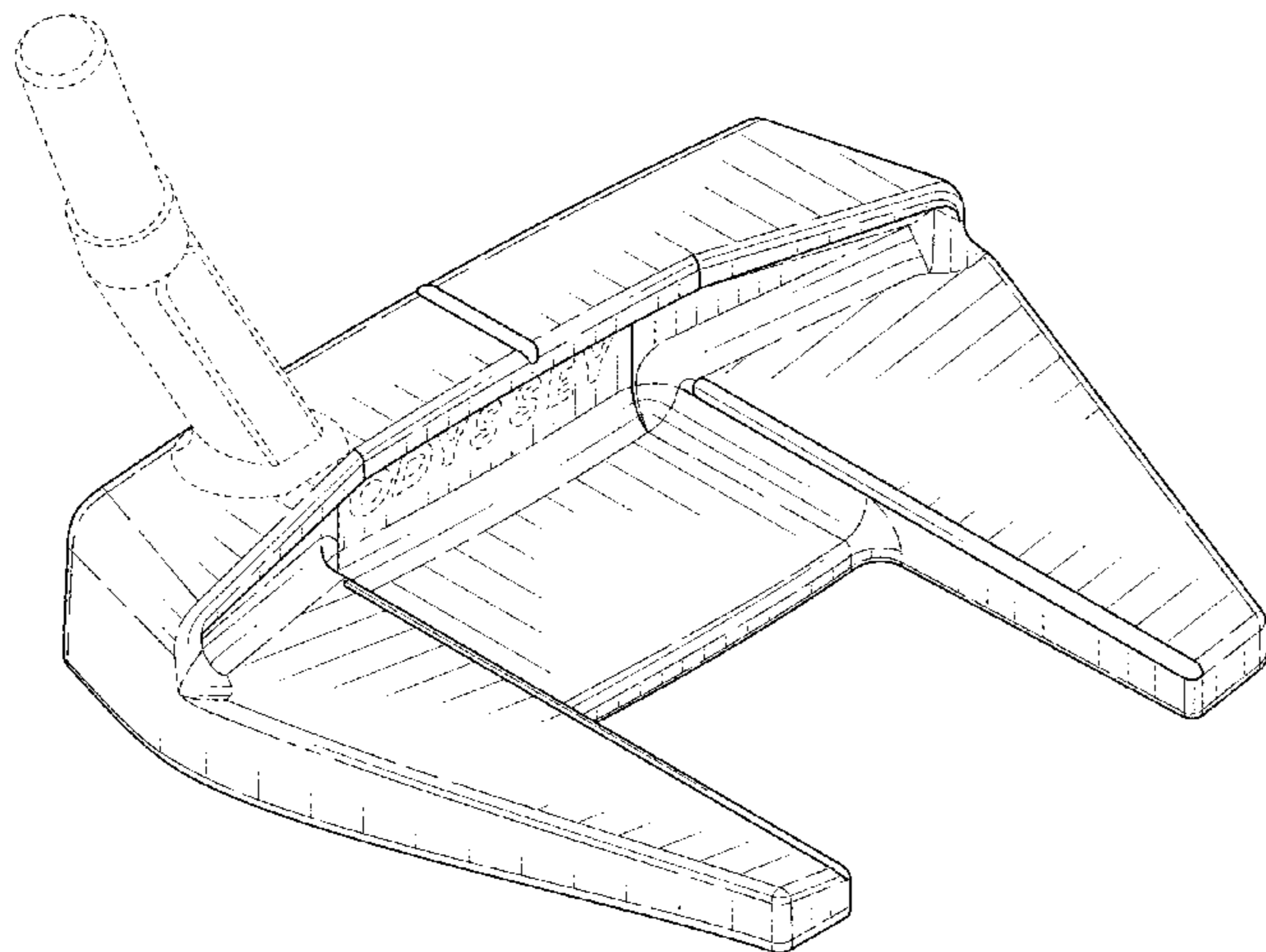
FIG. 5 is a right side elevational view thereof;

FIG. 6 is a top plan view thereof; and,

FIG. 7 is a bottom plan view thereof.

The broken lines shown form no part of the claimed design.

1 Claim, 7 Drawing Sheets



(56)

References Cited

U.S. PATENT DOCUMENTS

D921,140 S *	6/2021	Serrano	D21/736
D930,095 S *	9/2021	Wang	D21/743
D936,770 S *	11/2021	Cameron	D21/744
D952,081 S *	5/2022	Kirtley	D21/736
D959,584 S *	8/2022	Toulon	D21/746

* cited by examiner

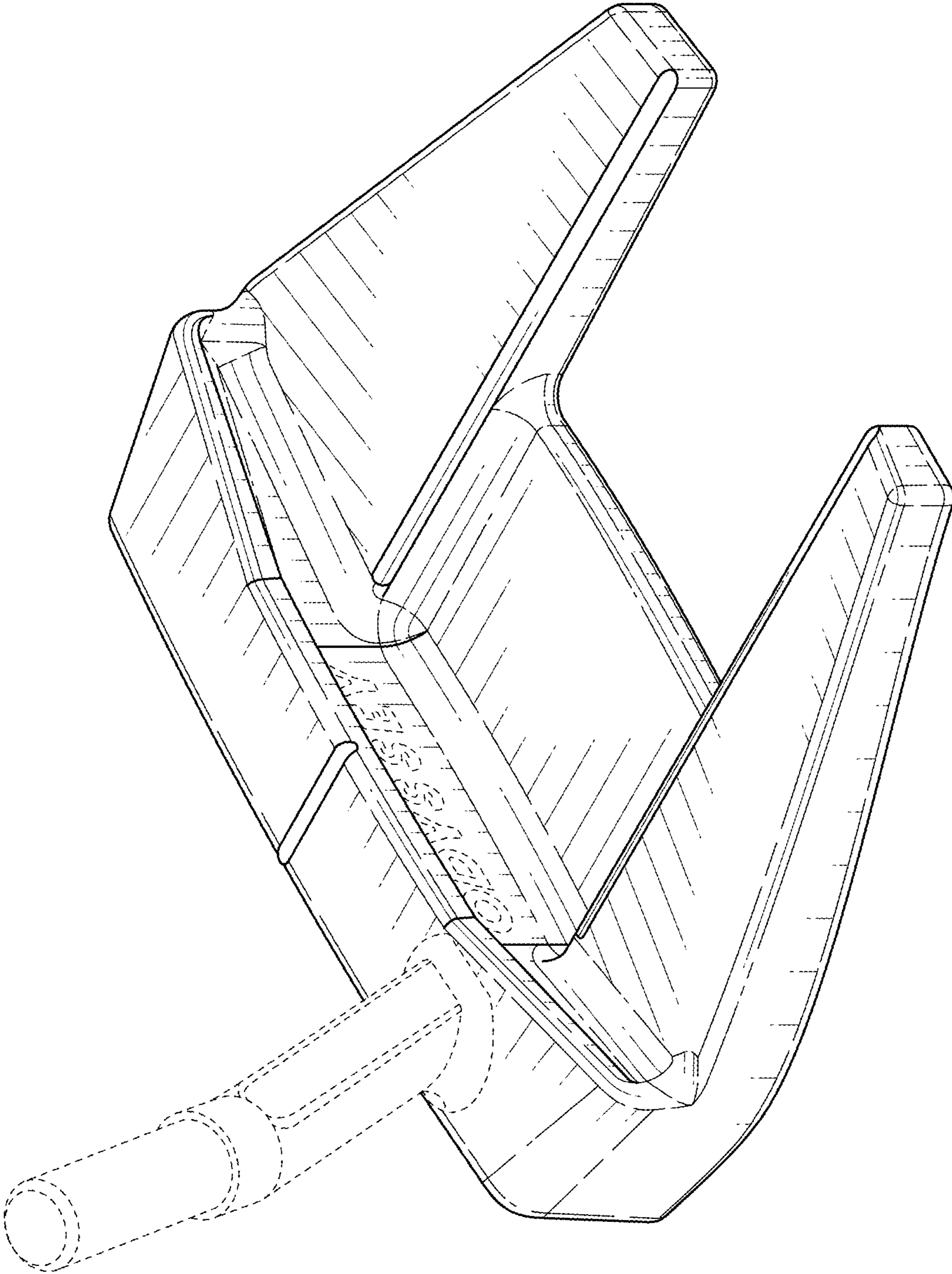


FIG. 1

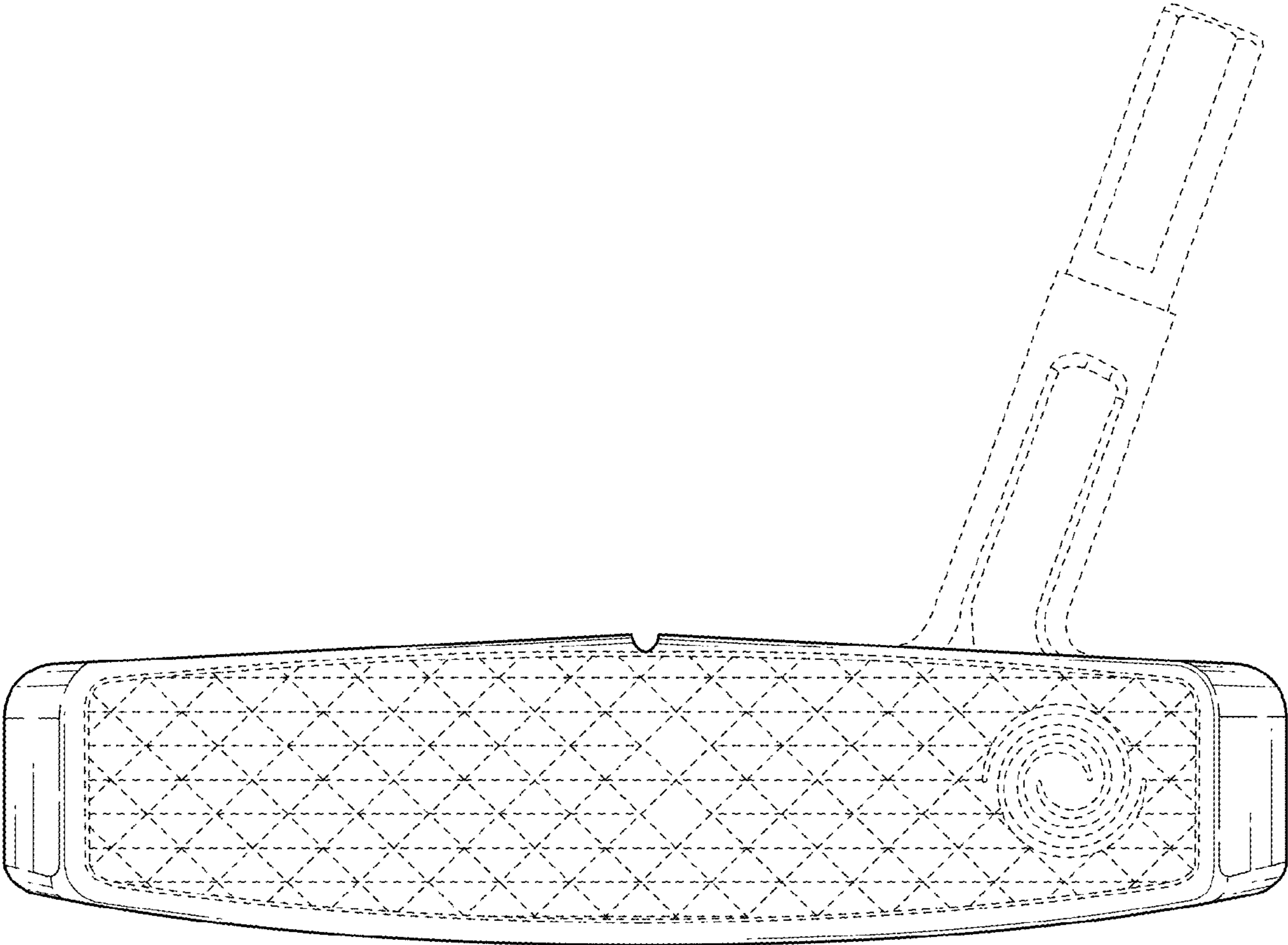


FIG. 2

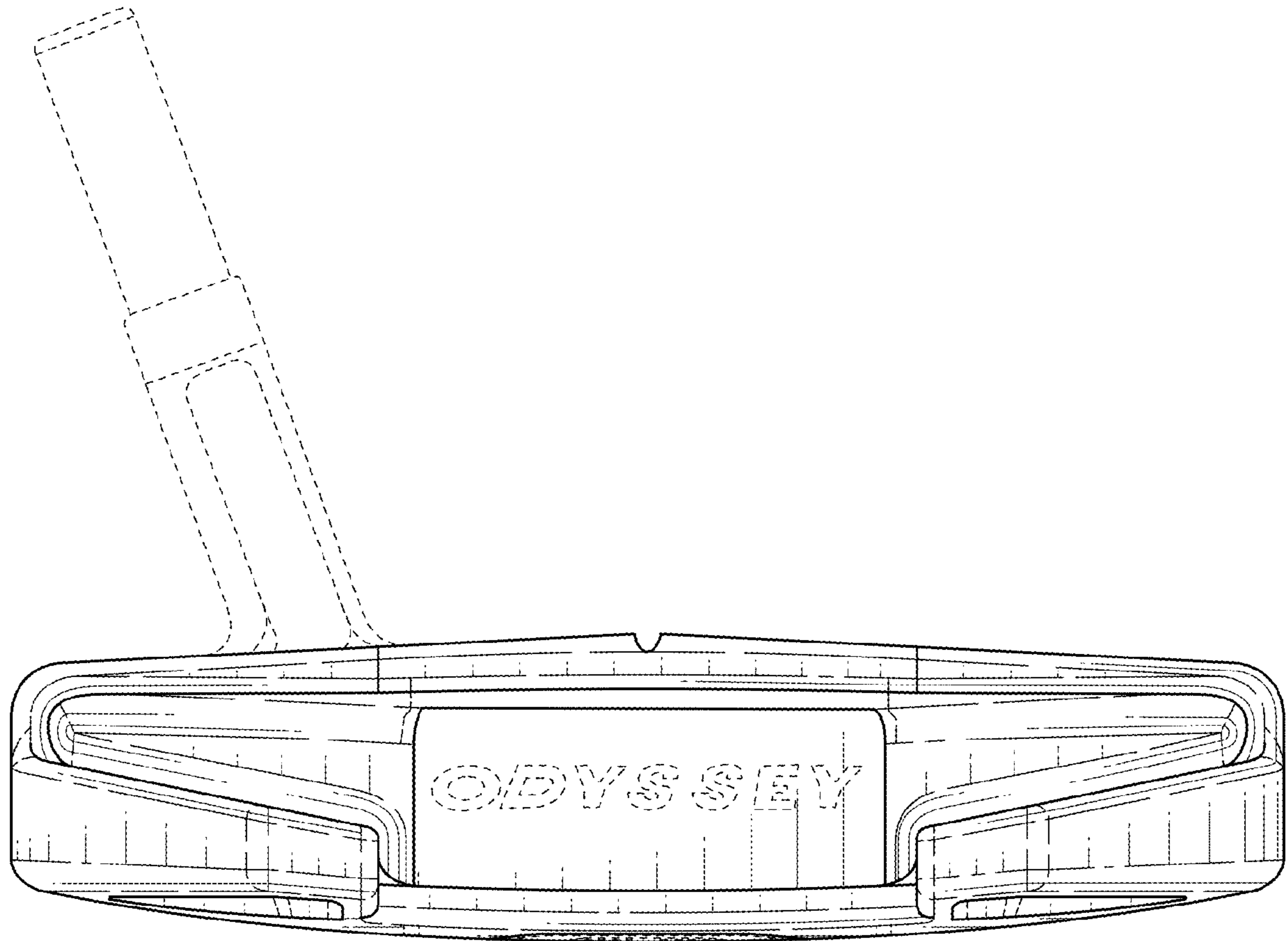


FIG. 3

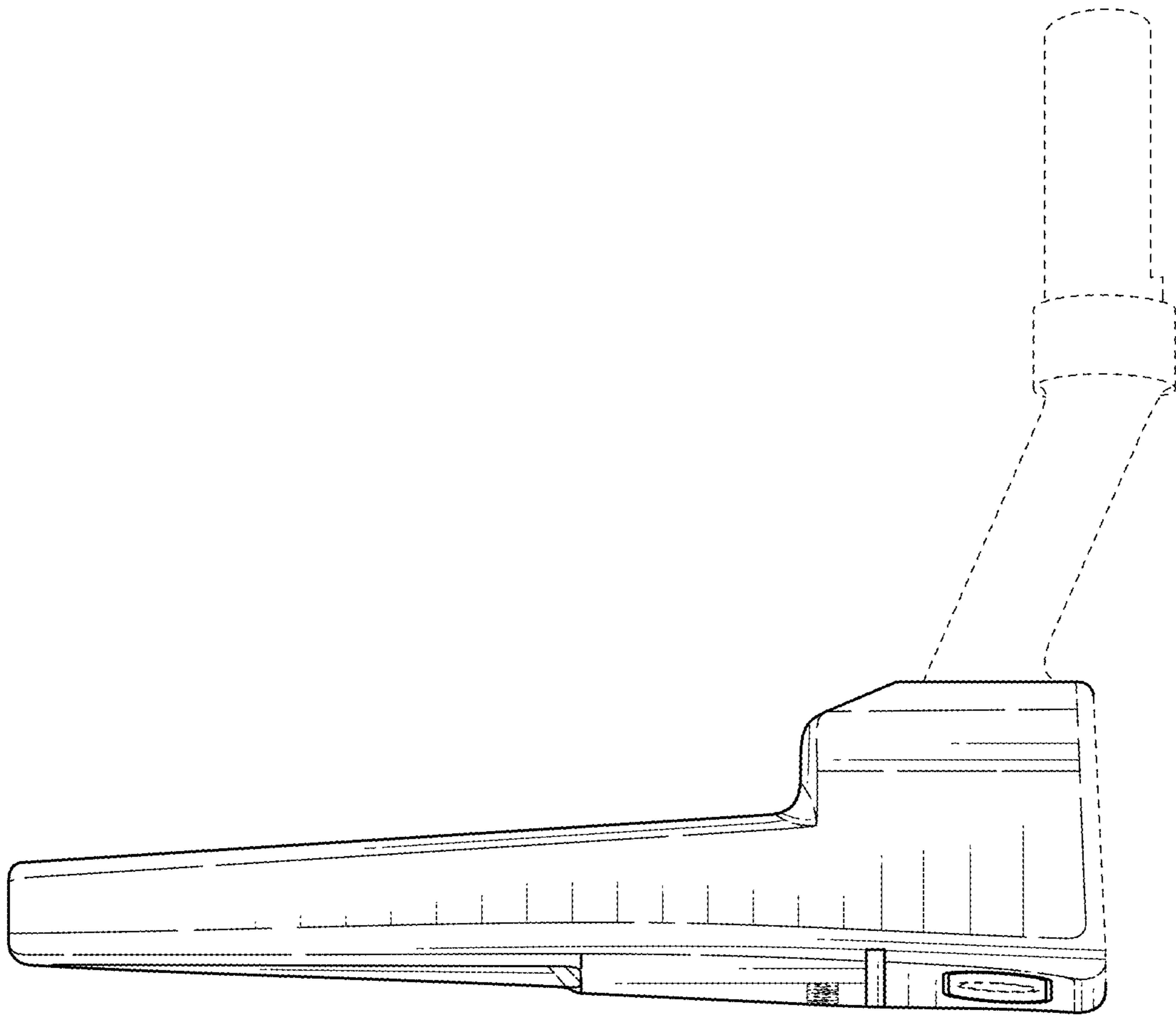


FIG. 4

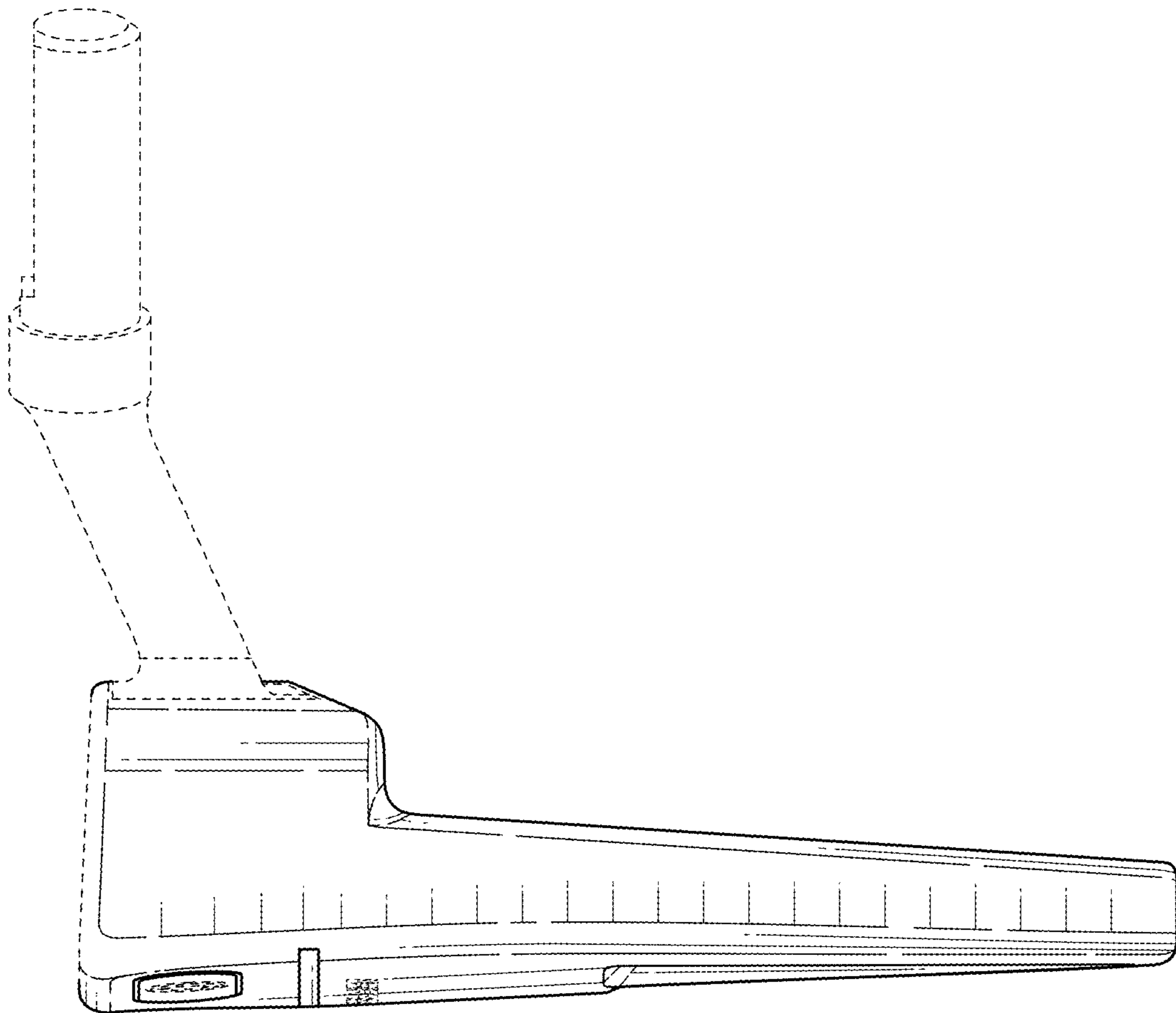


FIG. 5

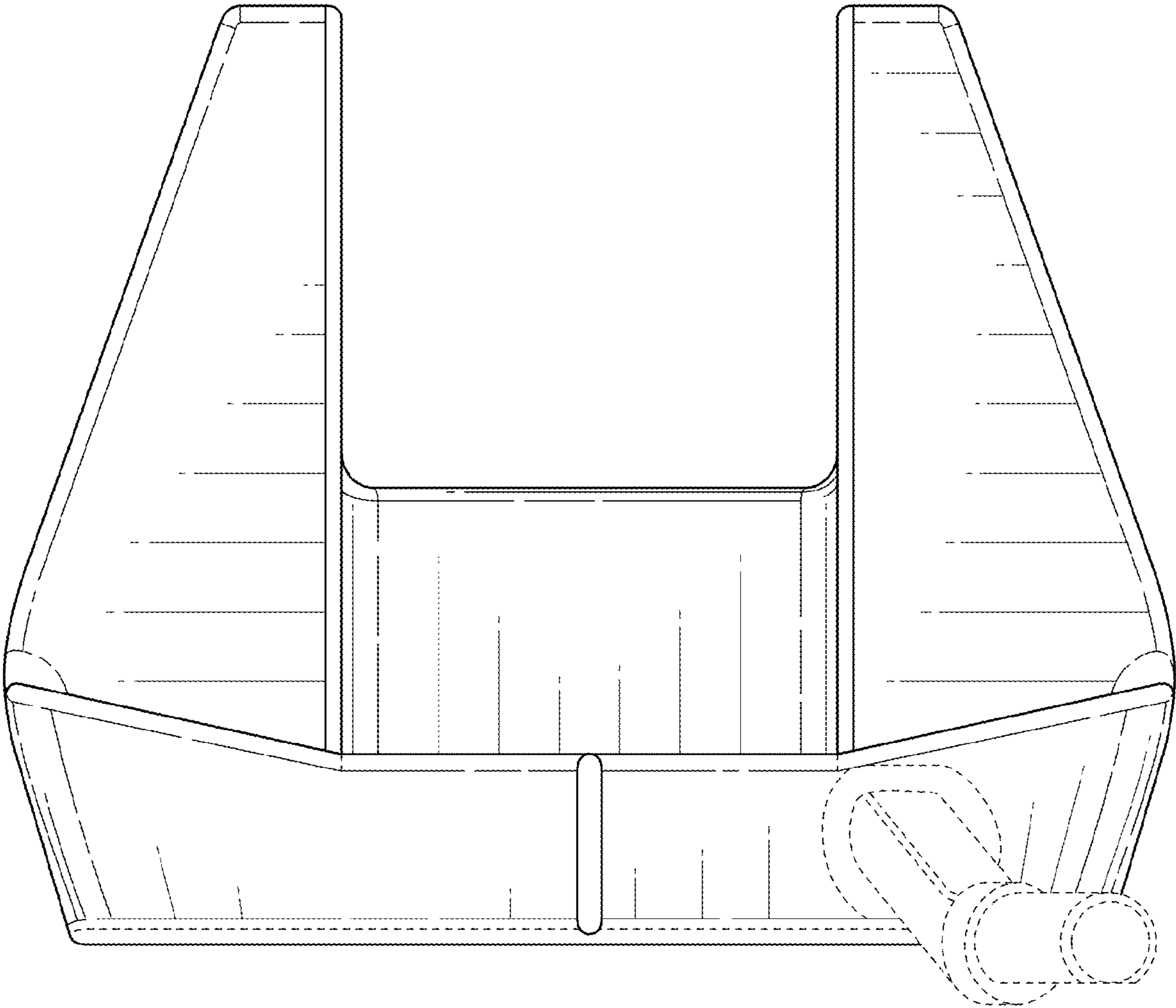


FIG. 6

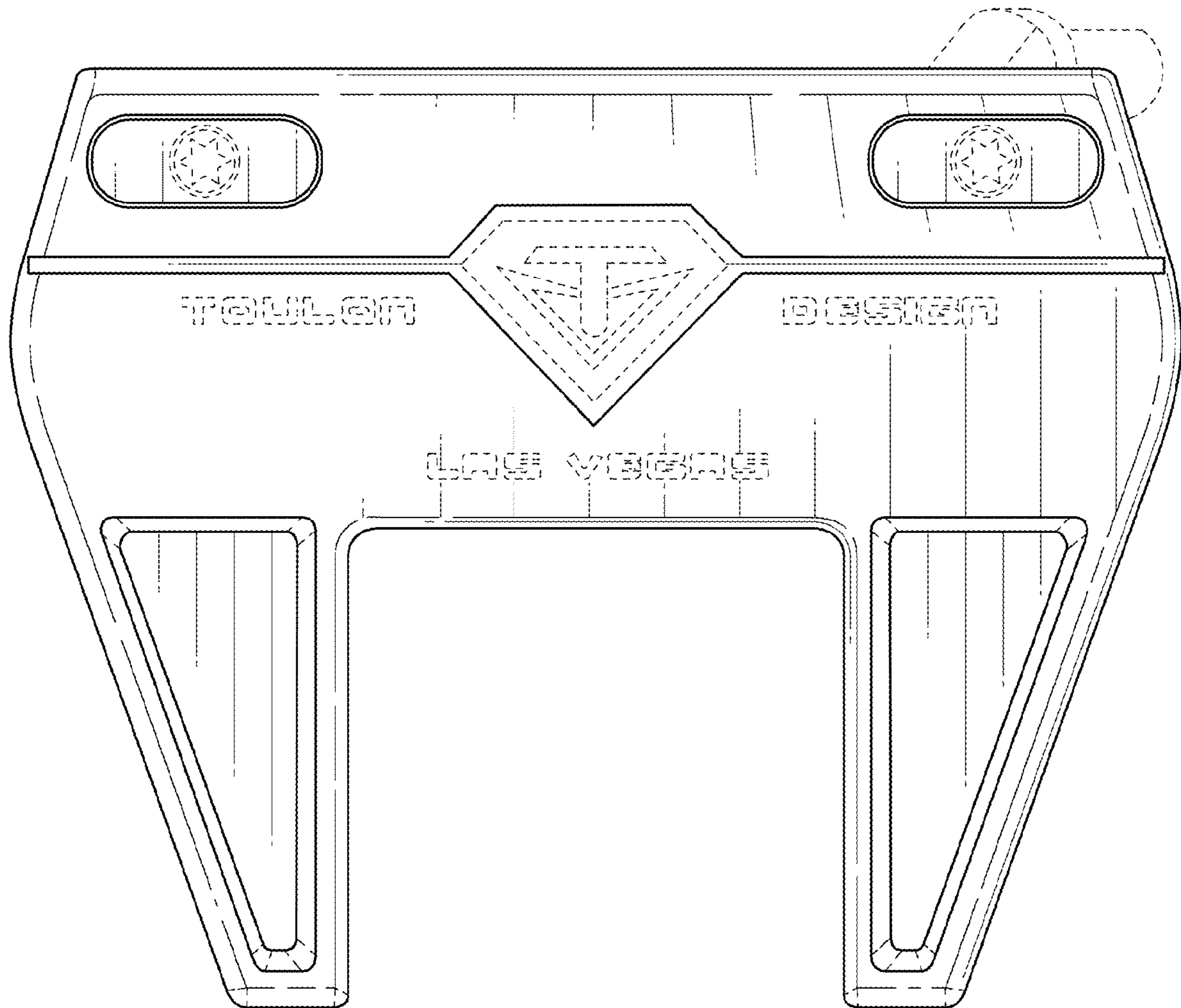


FIG. 7