



US00D982691S

(12) **United States Design Patent** (10) **Patent No.:** **US D982,691 S**  
**Toulon et al.** (45) **Date of Patent:** **\*\* \*Apr. 4, 2023**

(54) **PUTTER HEAD**

(71) Applicant: **Callaway Golf Company**, Carlsbad, CA (US)

(72) Inventors: **Sean Toulon**, Vista, CA (US); **Luke Williams**, Carlsbad, CA (US); **Patrick Dawson**, Poway, CA (US)

(73) Assignee: **Topgolf Callaway Brands Corp.**, Carlsbad, CA (US)

(\*) Notice: This patent is subject to a terminal disclaimer.

(\*\*) Term: **15 Years**

(21) Appl. No.: **29/797,469**

(22) Filed: **Jun. 30, 2021**

(51) **LOC (14) Cl.** ..... **21-02**

(52) **U.S. Cl.**  
USPC ..... **D21/744**

(58) **Field of Classification Search**  
USPC ..... D21/736-746, 759  
CPC ..... A63B 53/00; A63B 53/04; A63B 53/007;  
A63B 53/065; A63B 53/0487; A63B  
60/00; A63B 60/46  
See application file for complete search history.

(56) **References Cited**

**U.S. PATENT DOCUMENTS**

D350,177 S *	8/1994	Ramirez	.....	D21/745
D517,143 S *	3/2006	Petsel	.....	D21/742
D532,845 S *	11/2006	Rollinson	.....	D21/736
D565,681 S *	4/2008	Tanaka	.....	D21/736
D573,673 S *	7/2008	Noyes	.....	D21/721
D574,908 S *	8/2008	Hettinger	.....	D21/743
D582,497 S *	12/2008	Rollinson	.....	D21/744
D590,461 S *	4/2009	Kim	.....	D21/743
D591,807 S *	5/2009	Rollinson	.....	D21/744
D688,341 S *	8/2013	Rollinson	.....	D21/746

D691,226 S *	10/2013	Hilton	.....	D21/746
D773,573 S *	12/2016	Abbott	.....	D21/744
D801,457 S *	10/2017	Lewis	.....	D21/736
D807,453 S *	1/2018	Serrano	.....	D21/743
D815,222 S *	4/2018	Serrano	.....	D21/743
D832,381 S *	10/2018	Serrano	.....	D21/743
D844,722 S *	4/2019	Wang	.....	D21/736
D860,356 S *	9/2019	Rollinson	.....	D21/744
D882,006 S *	4/2020	Serrano	.....	D21/736
D892,954 S *	8/2020	Clarke	.....	D21/736
D893,645 S *	8/2020	Serrano	.....	D21/743
D895,748 S *	9/2020	Rollinson	.....	D21/743
D910,789 S *	2/2021	Schweigert	.....	D21/736
D912,174 S *	3/2021	Toulon	.....	D21/743
D921,140 S *	6/2021	Serrano	.....	D21/736
D930,095 S *	9/2021	Wang	.....	D21/743

(Continued)

**OTHER PUBLICATIONS**

Golf putters google search; google.com; Dec. 8, 2022.\*  
Odyssey golf putters; callawaygolf.com; Dec. 8, 2022.\*

*Primary Examiner* — Mitchell I. Siegel  
(74) *Attorney, Agent, or Firm* — Michael A. Catania;  
Rebecca Hanovice; Sonia Lari

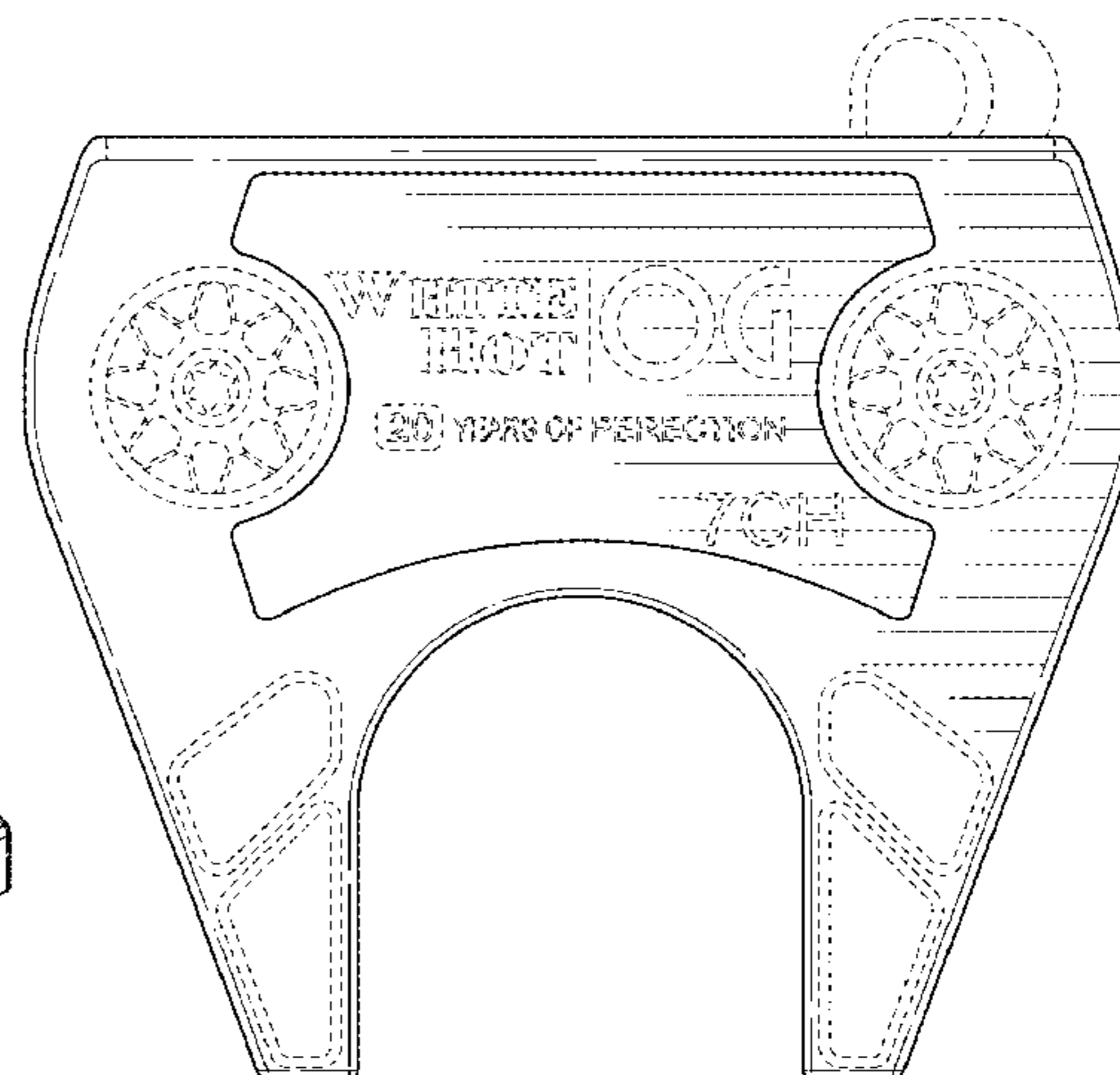
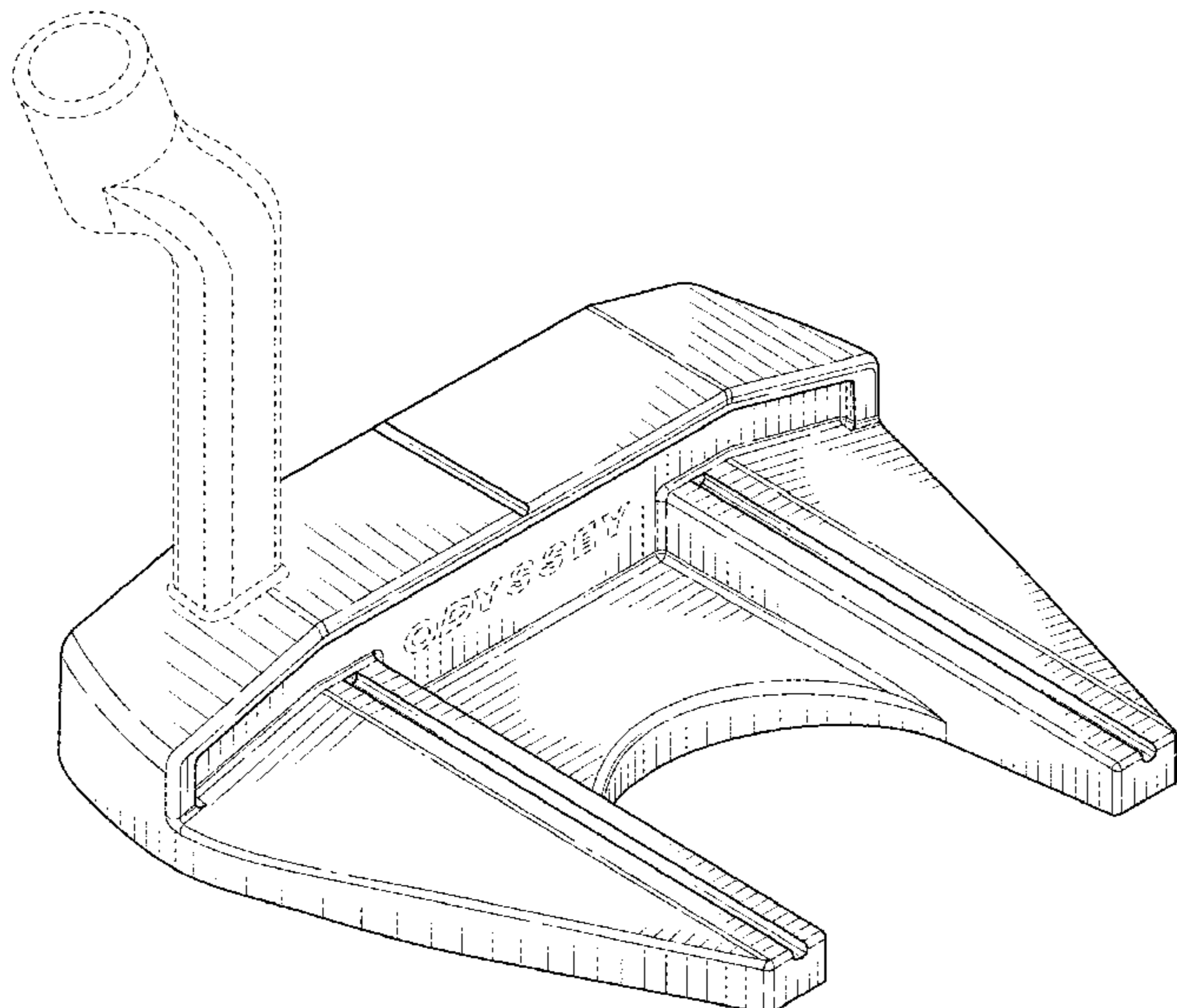
(57) **CLAIM**

The ornamental design for a putter head, as shown and described.

**DESCRIPTION**

FIG. 1 is a rear perspective view of the putter head claimed herein;  
FIG. 2 is a front elevational view thereof;  
FIG. 3 is a rear elevational view thereof;  
FIG. 4 is a left side elevational view thereof;  
FIG. 5 is a right side elevational view thereof;  
FIG. 6 is a top plan view thereof; and,  
FIG. 7 is a bottom plan view thereof.  
The broken lines shown form no part of the claimed design.

**1 Claim, 4 Drawing Sheets**



(56)

**References Cited**

U.S. PATENT DOCUMENTS

D936,770 S \* 11/2021 Cameron ..... D21/744  
D952,081 S \* 5/2022 Kirtley ..... D21/736  
D959,584 S \* 8/2022 Toulon ..... D21/746

\* cited by examiner

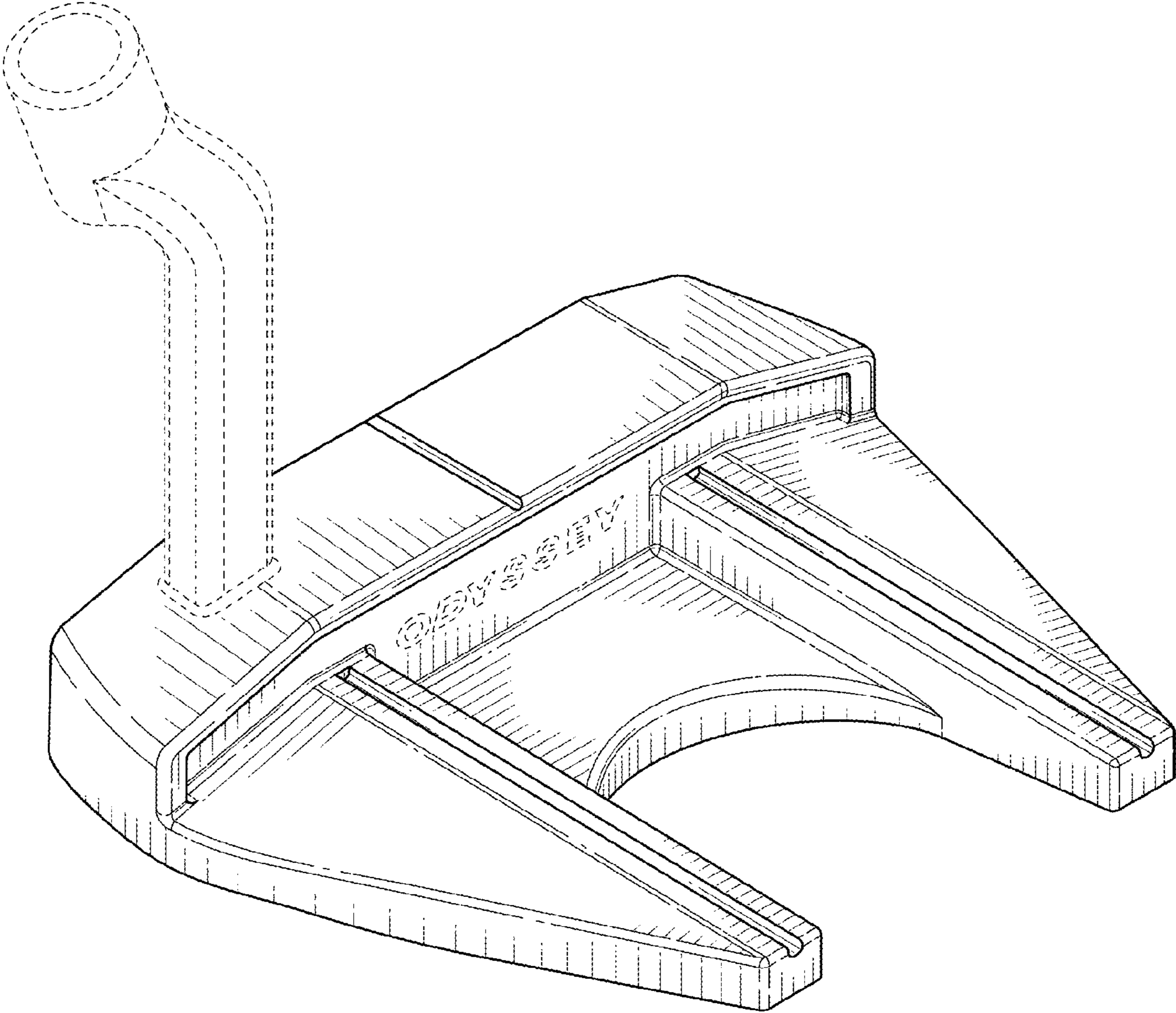


FIG. 1

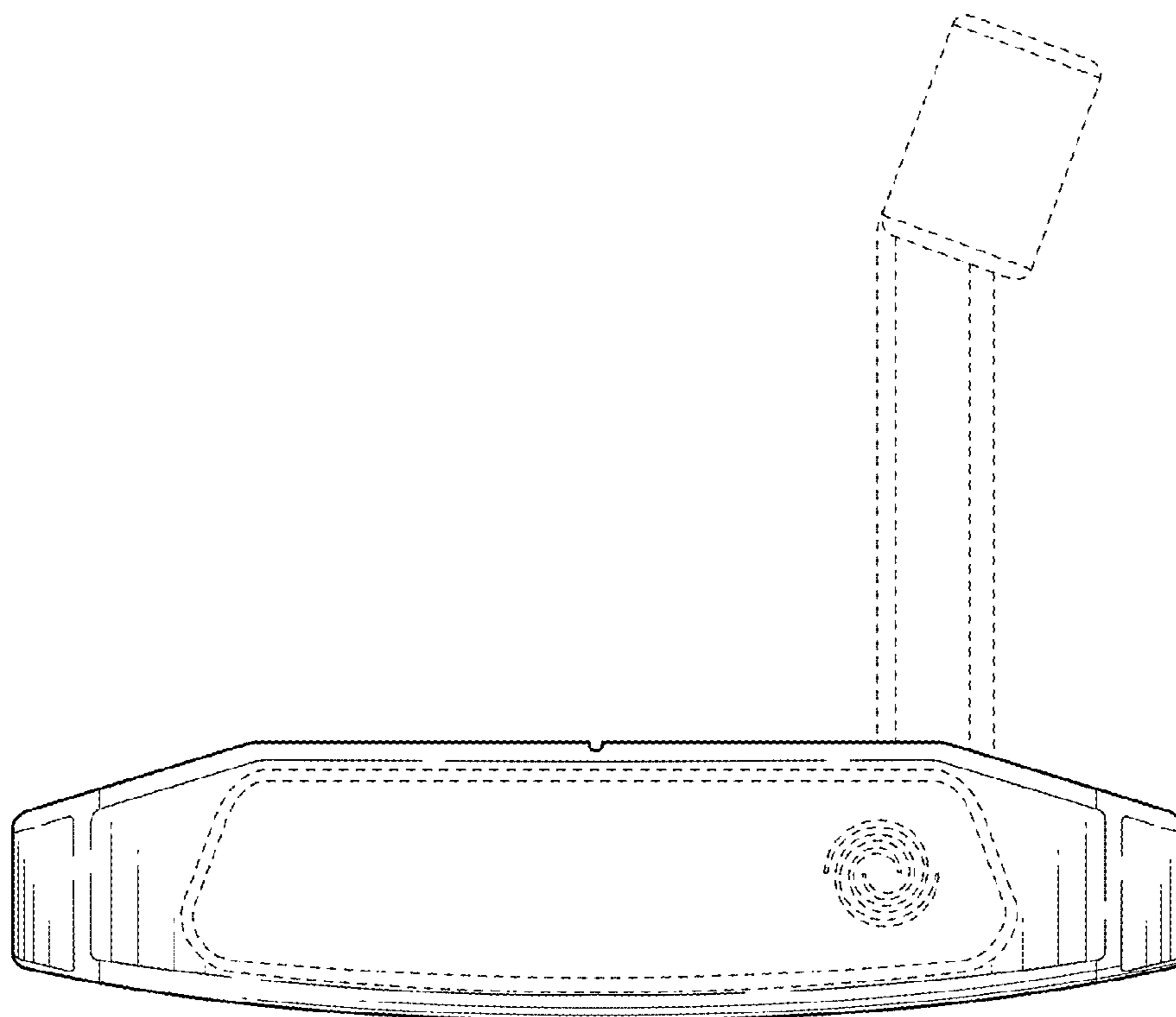


FIG. 2

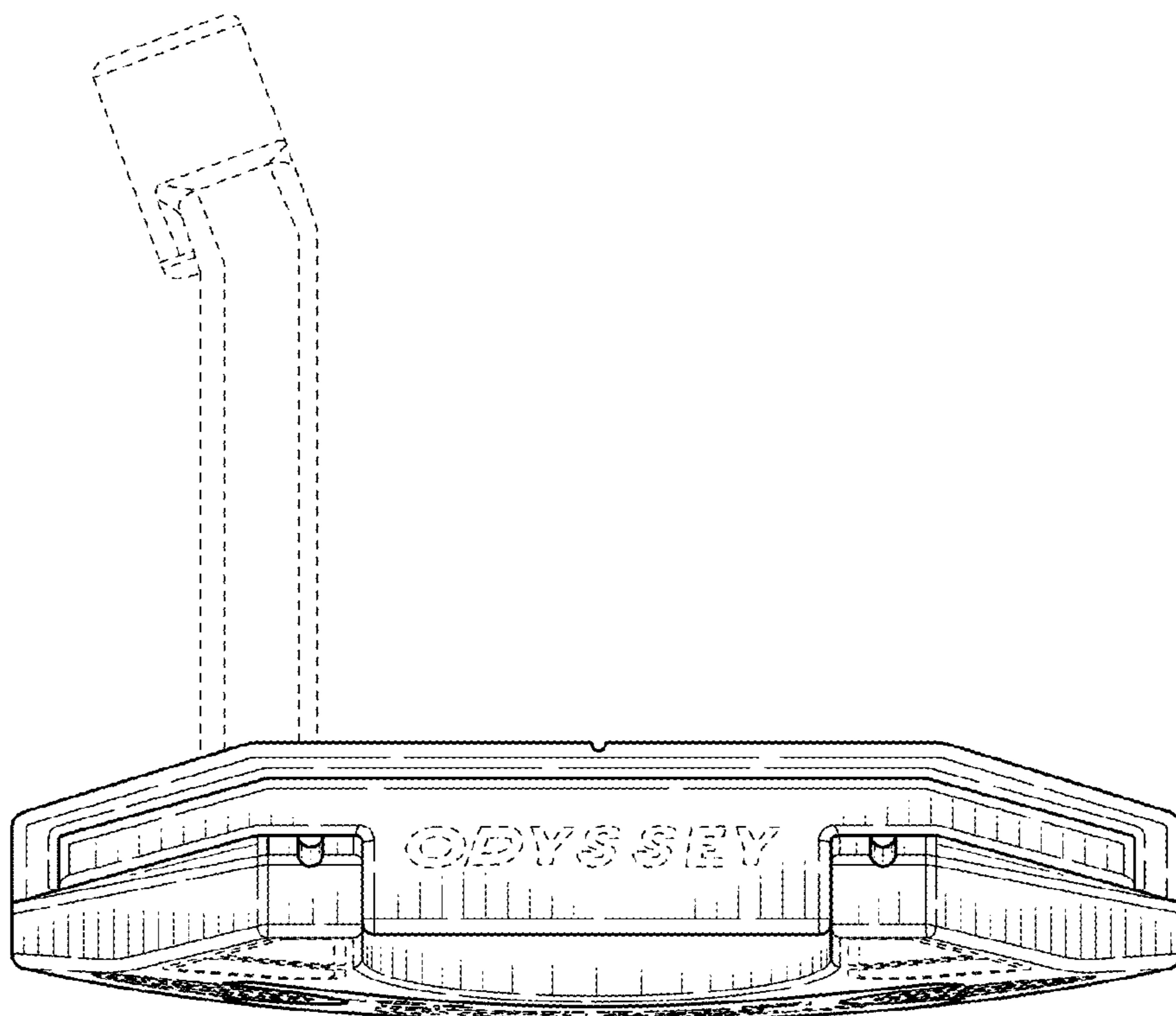


FIG. 3

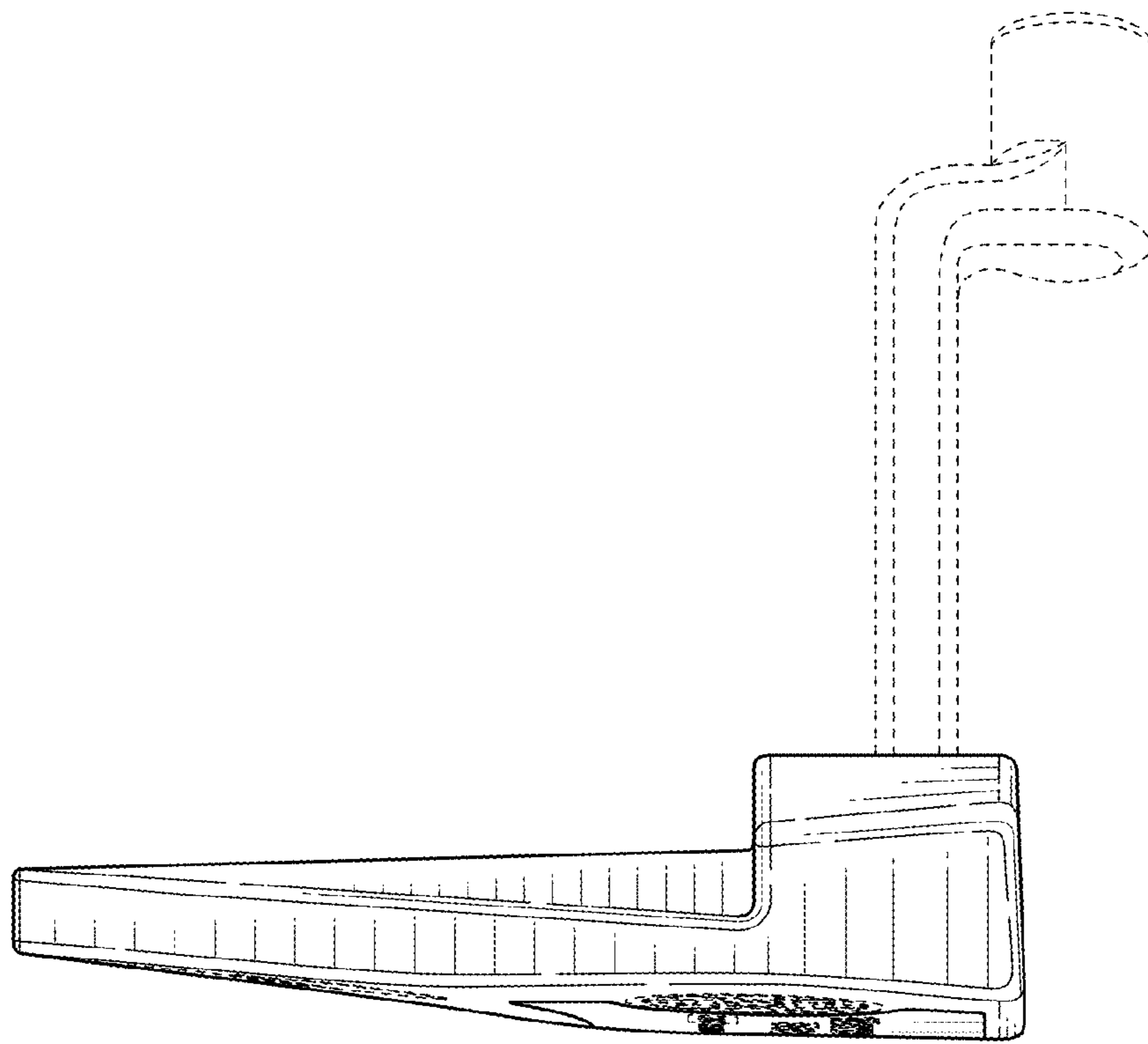


FIG. 4

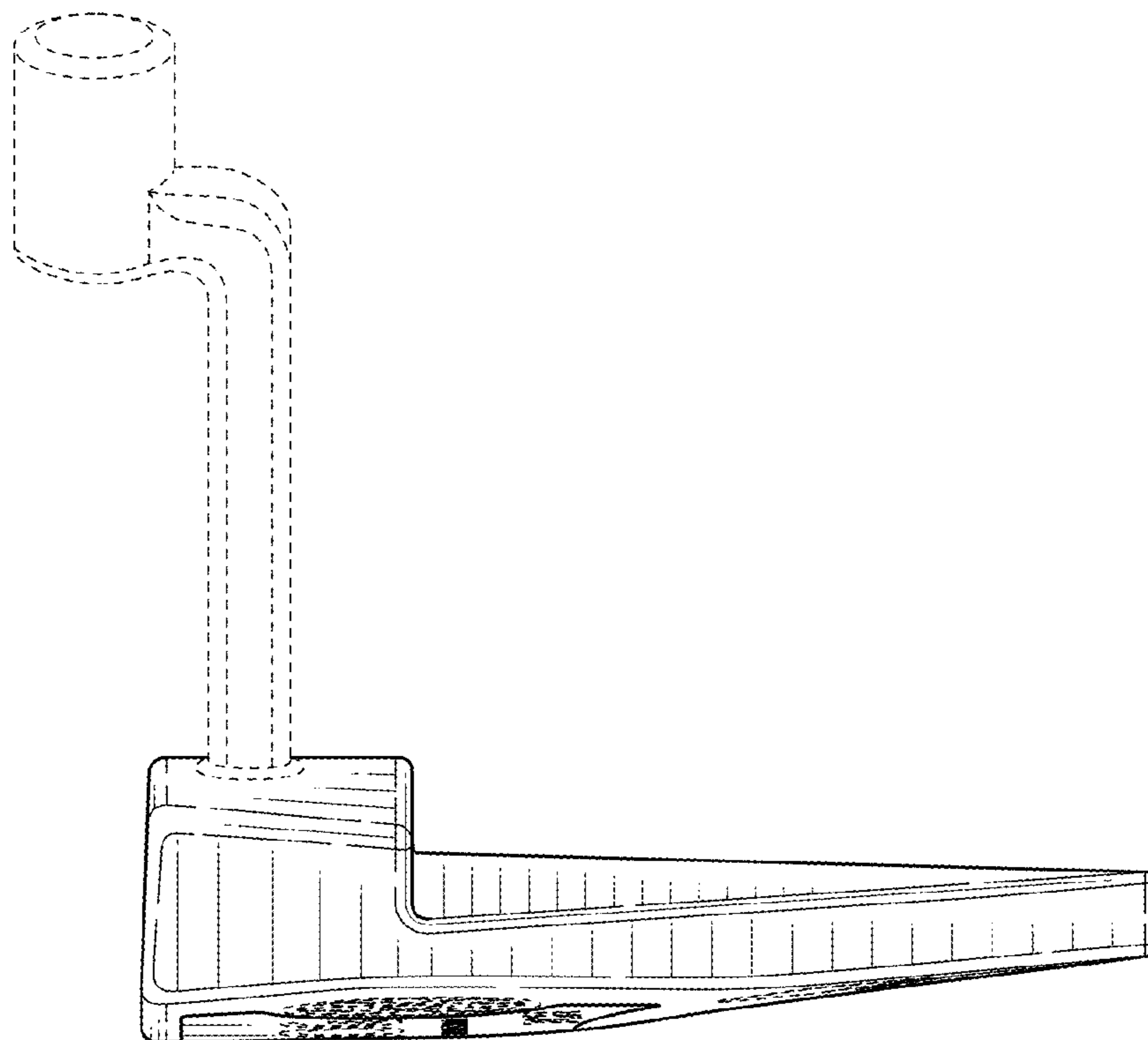


FIG. 5

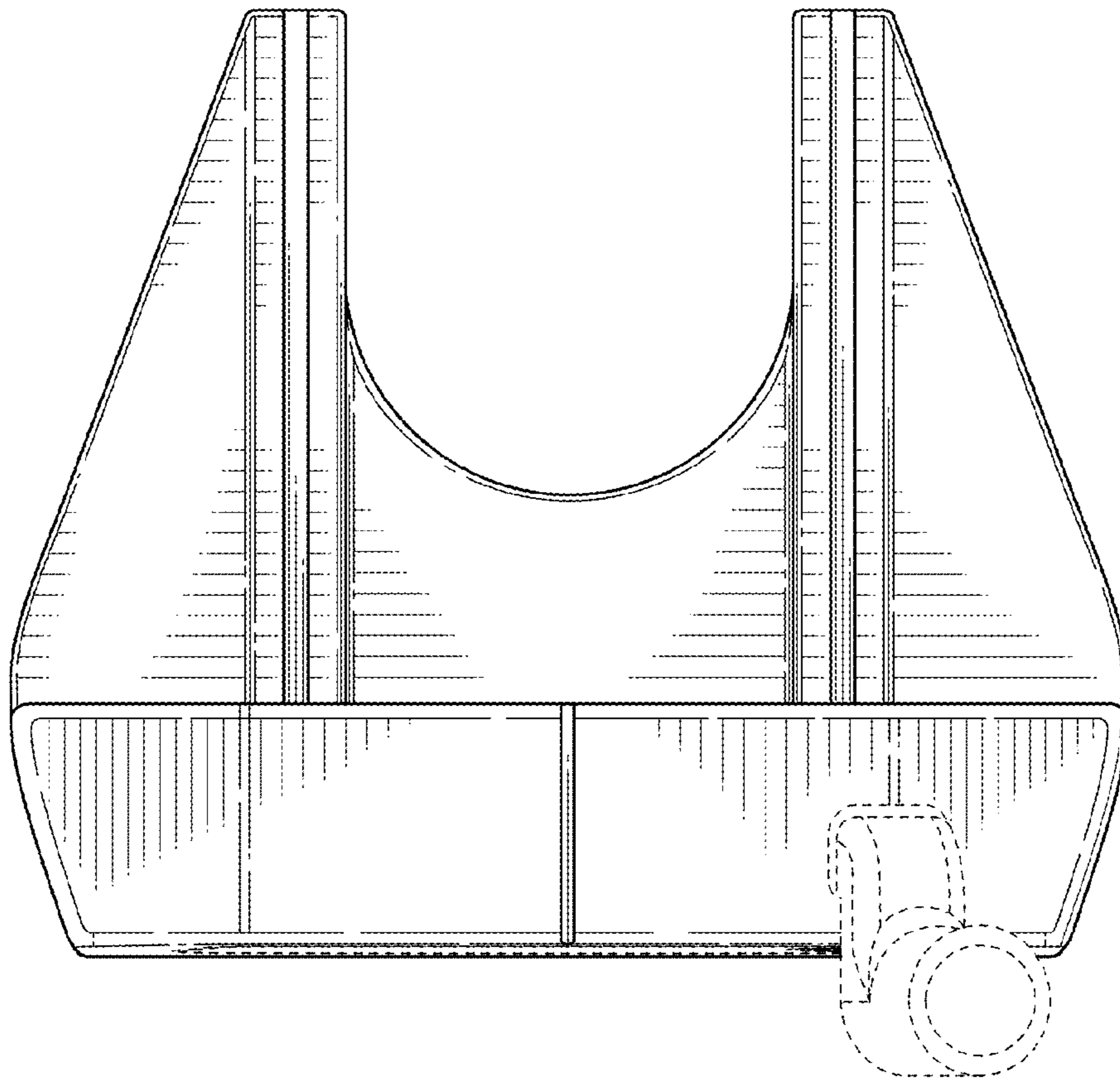


FIG. 6

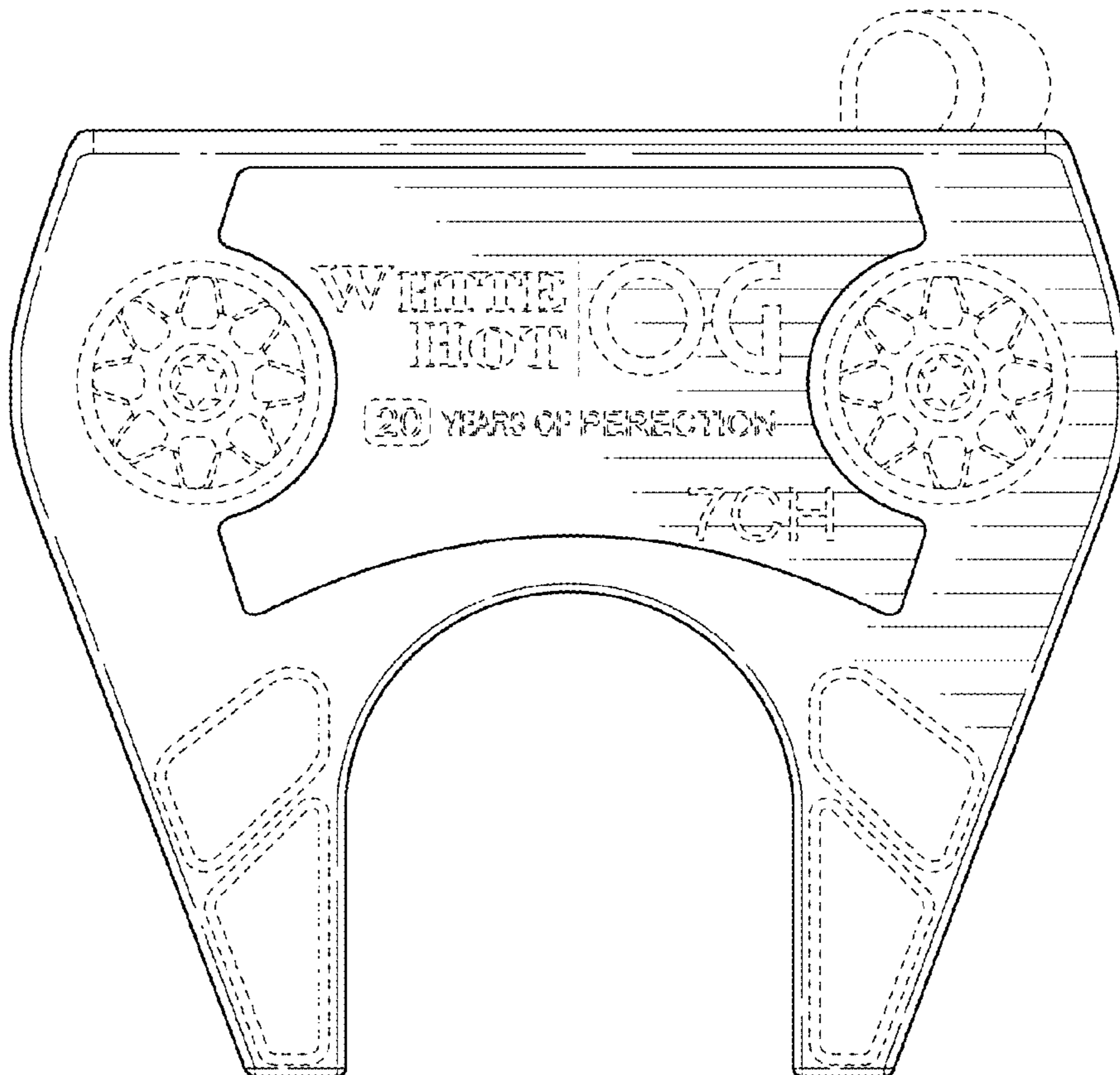


FIG. 7