



US00D982688S

(12) **United States Design Patent** (10) **Patent No.:** **US D982,688 S**  
**Toulon et al.** (45) **Date of Patent:** **\*\* \*Apr. 4, 2023**

(54) **PUTTER HEAD**

(71) Applicant: **Callaway Golf Company**, Carlsbad, CA (US)

(72) Inventors: **Sean Toulon**, Vista, CA (US); **Luke Williams**, Carlsbad, CA (US); **Patrick Dawson**, Poway, CA (US); **JulieAnn Larson**, Oceanside, CA (US); **Gioacchino Glorioso**, Valley Center, CA (US)

(73) Assignee: **Topgolf Callaway Brands Corp.**, Carlsbad, CA (US)

(\*) Notice: This patent is subject to a terminal disclaimer.

(\*\*) Term: **15 Years**

(21) Appl. No.: **29/797,592**

(22) Filed: **Jul. 1, 2021**

(51) **LOC (14) Cl.** ..... **21-02**

(52) **U.S. Cl.**  
USPC ..... **D21/743**

(58) **Field of Classification Search**  
USPC ..... D21/736-746, 759  
CPC ..... A63B 53/00; A63B 53/04; A63B 53/007;  
A63B 53/065; A63B 53/0487; A63B  
60/00; A63B 60/46  
See application file for complete search history.

(56) **References Cited**

**U.S. PATENT DOCUMENTS**

D641,440 S \* 7/2011 Hettinger ..... D21/743  
D777,268 S \* 1/2017 Becktor ..... D21/742

D826,353 S *	8/2018	Cameron	.....	D21/736
D844,724 S *	4/2019	Wang	.....	D21/743
D875,195 S *	2/2020	Serrano	.....	D21/743
D912,172 S *	3/2021	Toulon	.....	D21/743
D912,175 S *	3/2021	Toulon	.....	D21/743
D912,176 S *	3/2021	Toulon	.....	D21/743
D923,730 S *	6/2021	Serrano	.....	D21/743
D929,515 S *	8/2021	Wang	.....	D21/743
D929,519 S *	8/2021	Agrella	.....	D21/744
D934,361 S *	10/2021	Toulon	.....	D21/736
D943,692 S *	2/2022	Rollinson	.....	D21/744
D946,679 S *	3/2022	Rollinson	.....	D21/744

**OTHER PUBLICATIONS**

Golf putter google search.google.com; Dec. 8, 2022.\*  
Odyssey golf putters; callawaygolf.com; Dec. 8, 2022.\*

\* cited by examiner

*Primary Examiner* — Mitchell I. Siegel  
(74) *Attorney, Agent, or Firm* — Michael A. Catania;  
Rebecca Hanovice; Sonia Lari

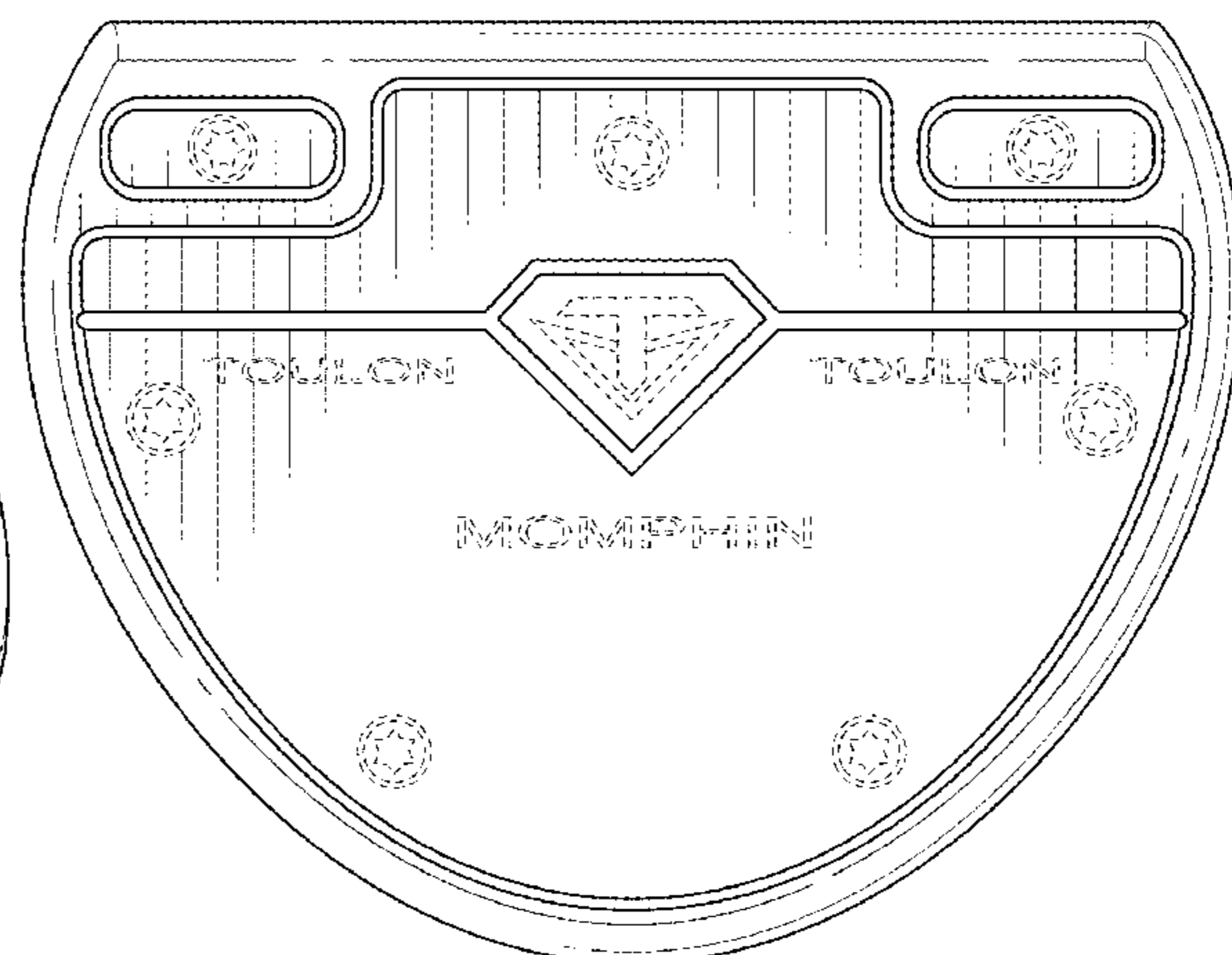
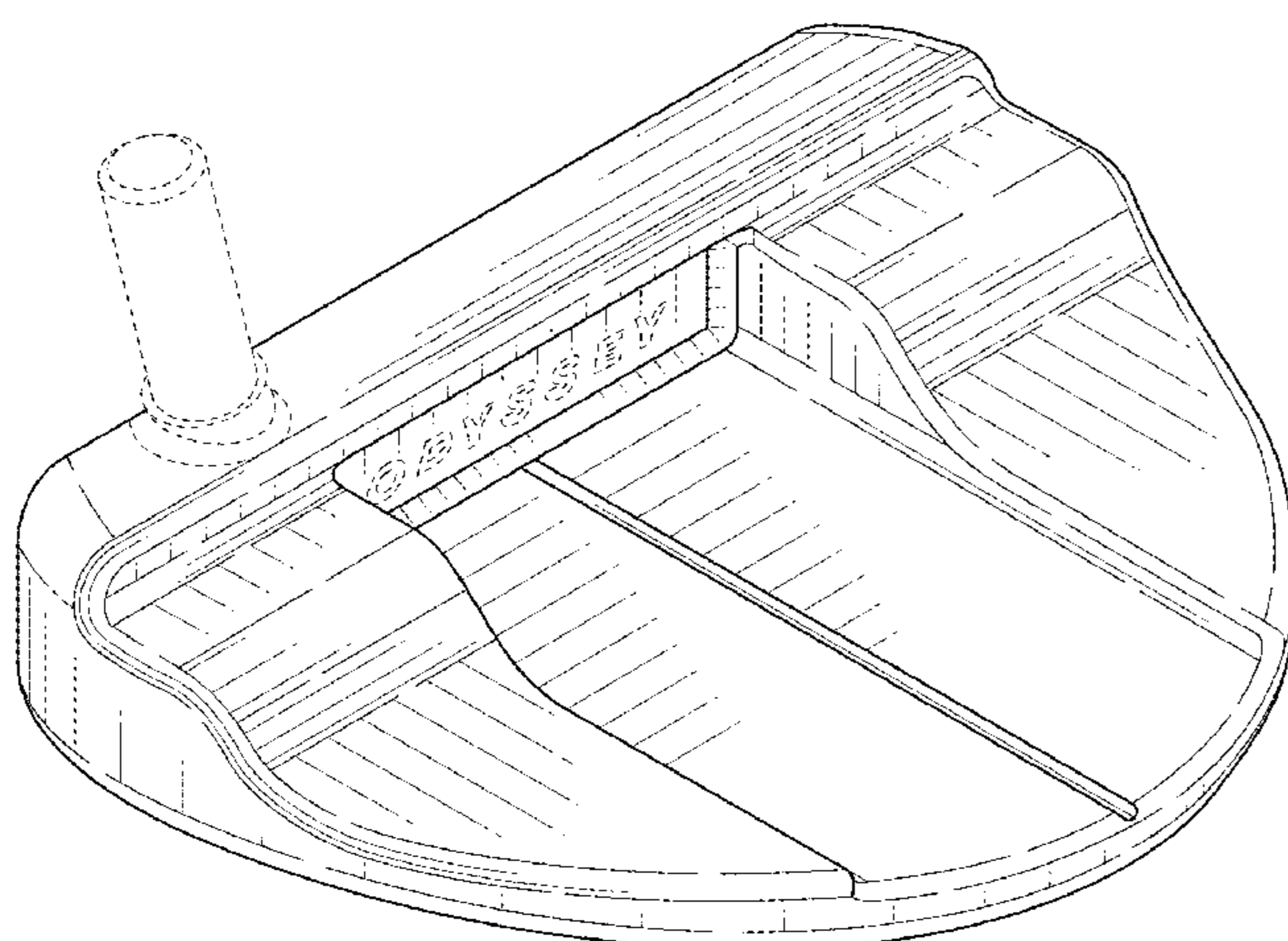
(57) **CLAIM**

The ornamental design for a putter head, as shown and described.

**DESCRIPTION**

FIG. 1 is a rear perspective view of the putter head claimed herein;  
FIG. 2 is a front elevational view thereof;  
FIG. 3 is a rear elevational view thereof;  
FIG. 4 is a left side elevational view thereof;  
FIG. 5 is a right side elevational view thereof;  
FIG. 6 is a top plan view thereof; and,  
FIG. 7 is a bottom plan view thereof.  
The broken lines shown form no part of the claimed design.

**1 Claim, 4 Drawing Sheets**



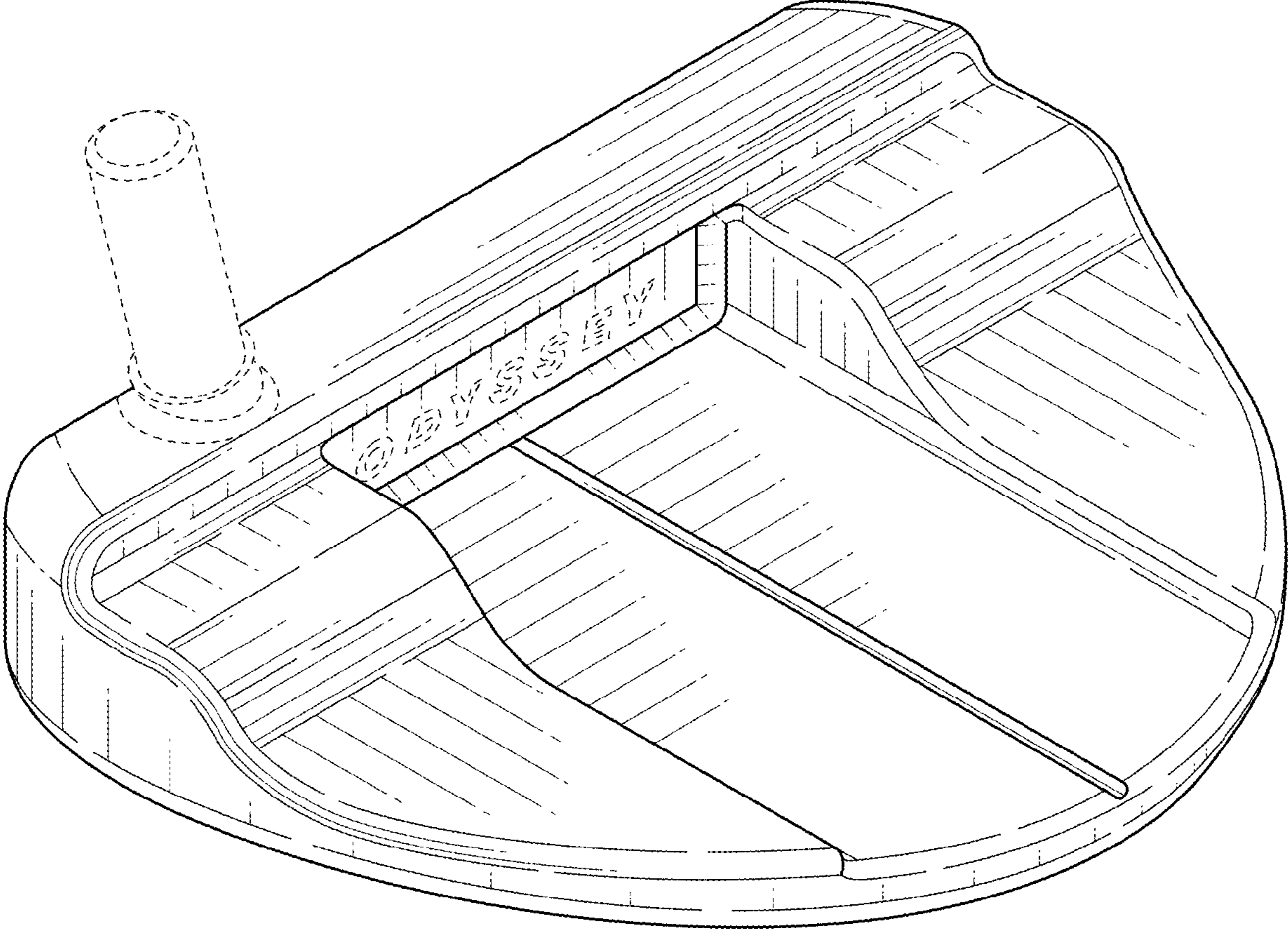


FIG. 1

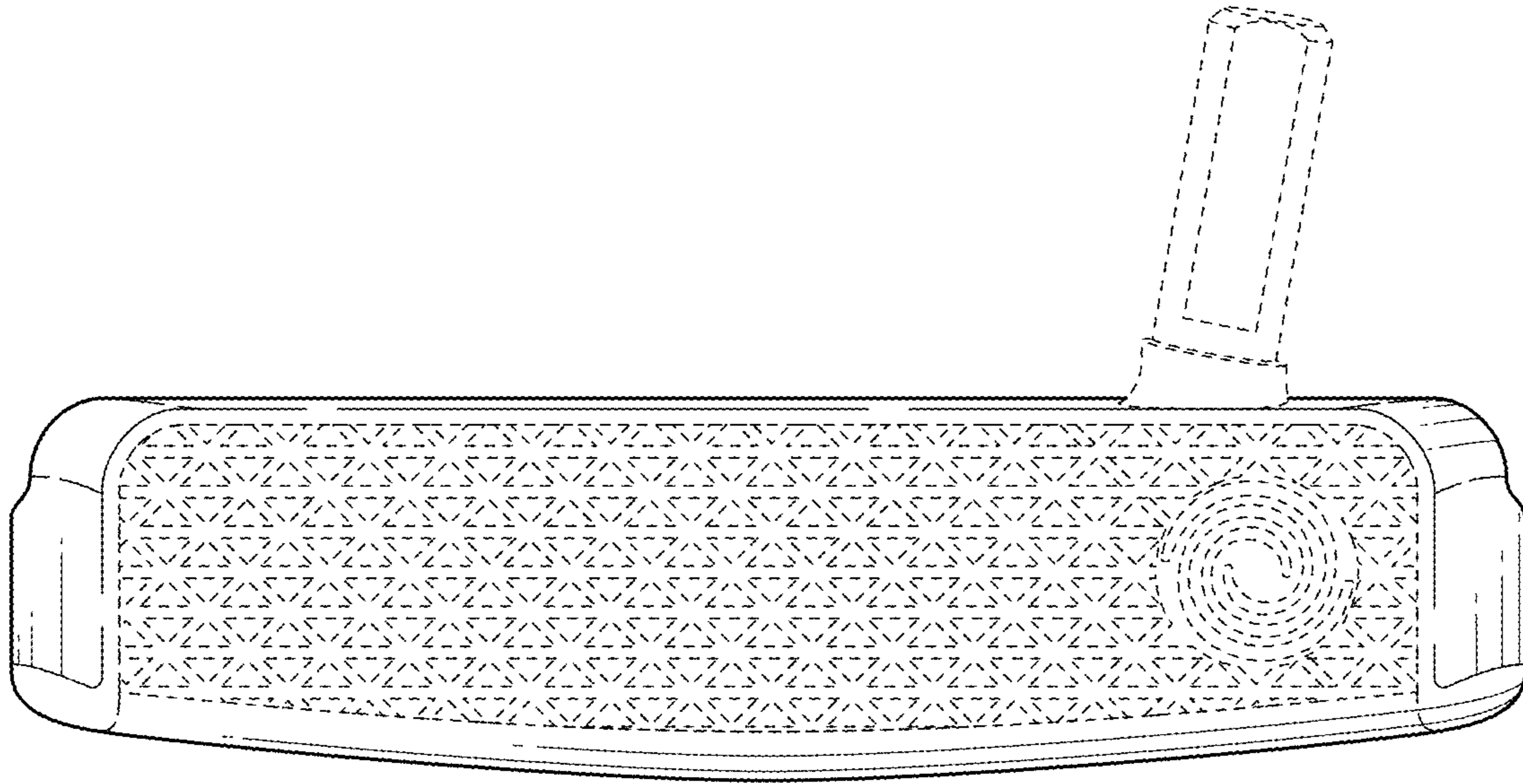


FIG. 2

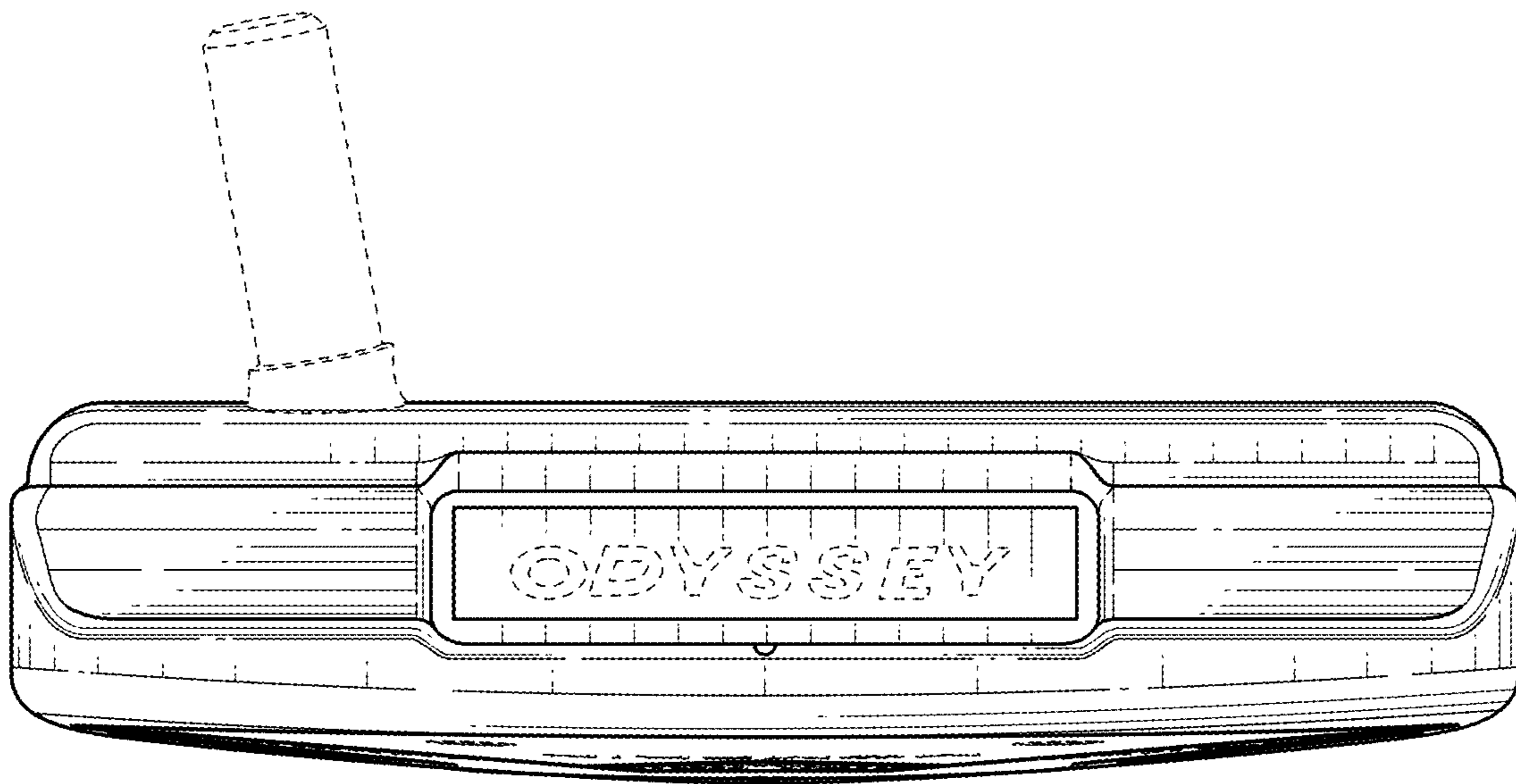


FIG. 3



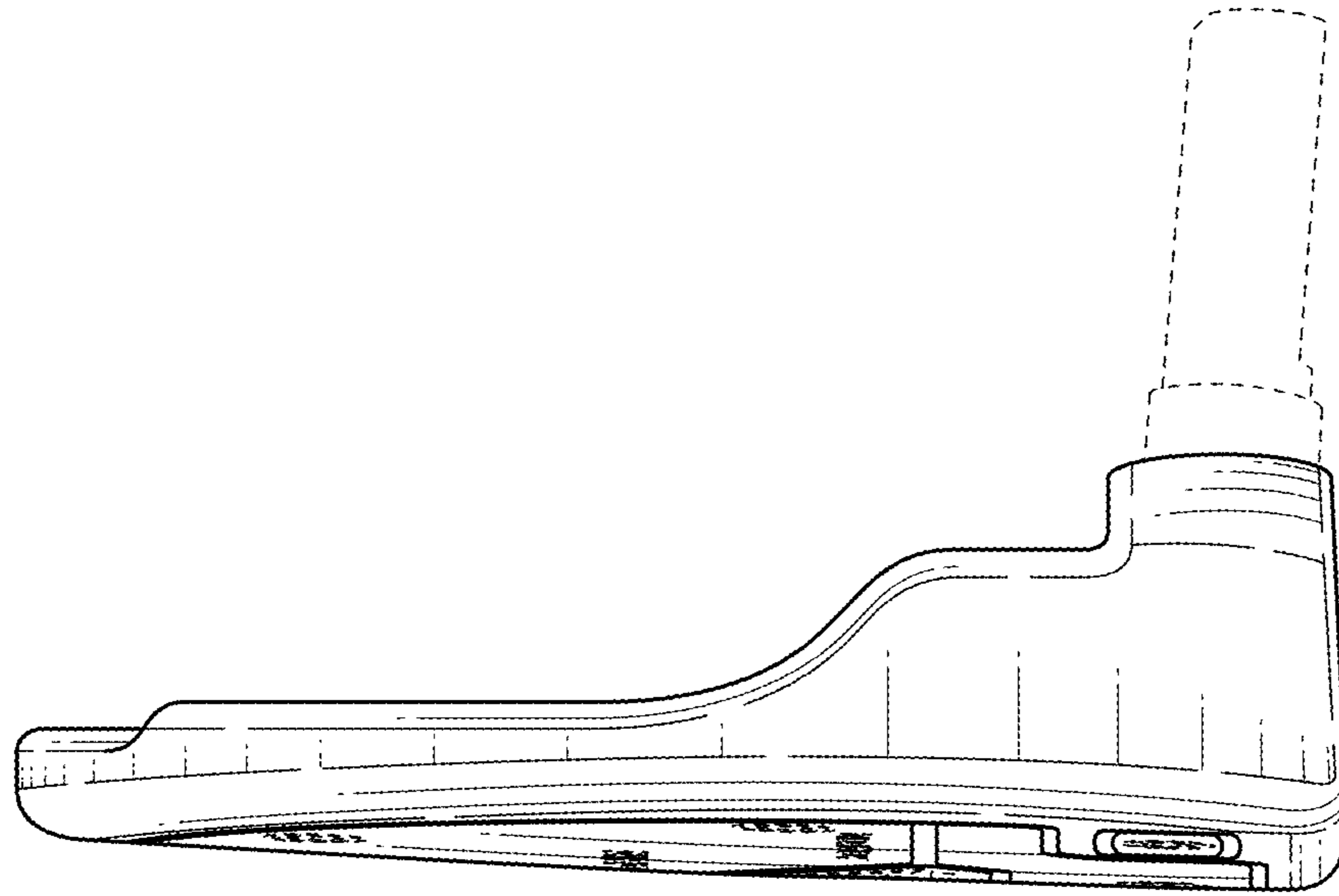


FIG. 4

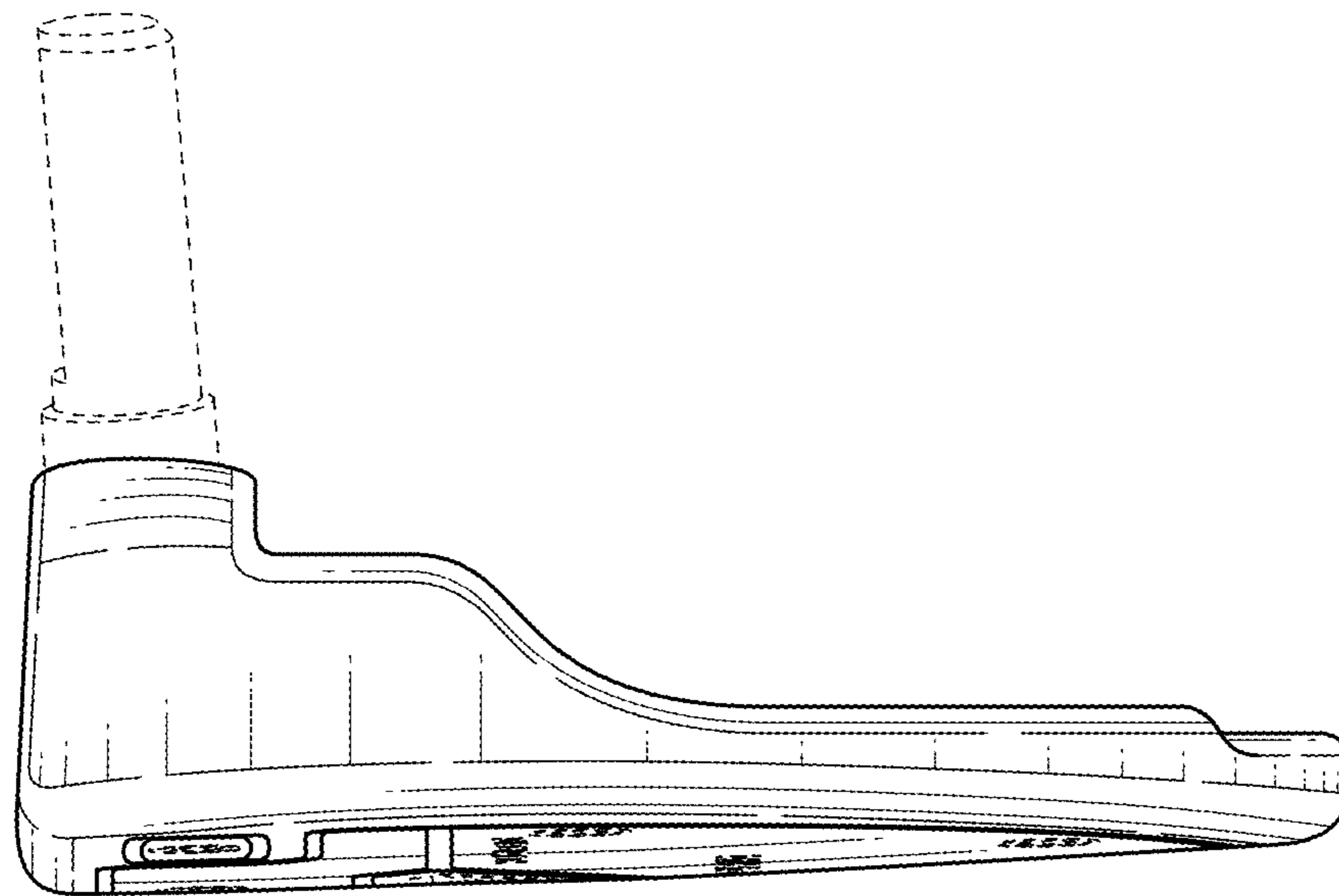


FIG. 5

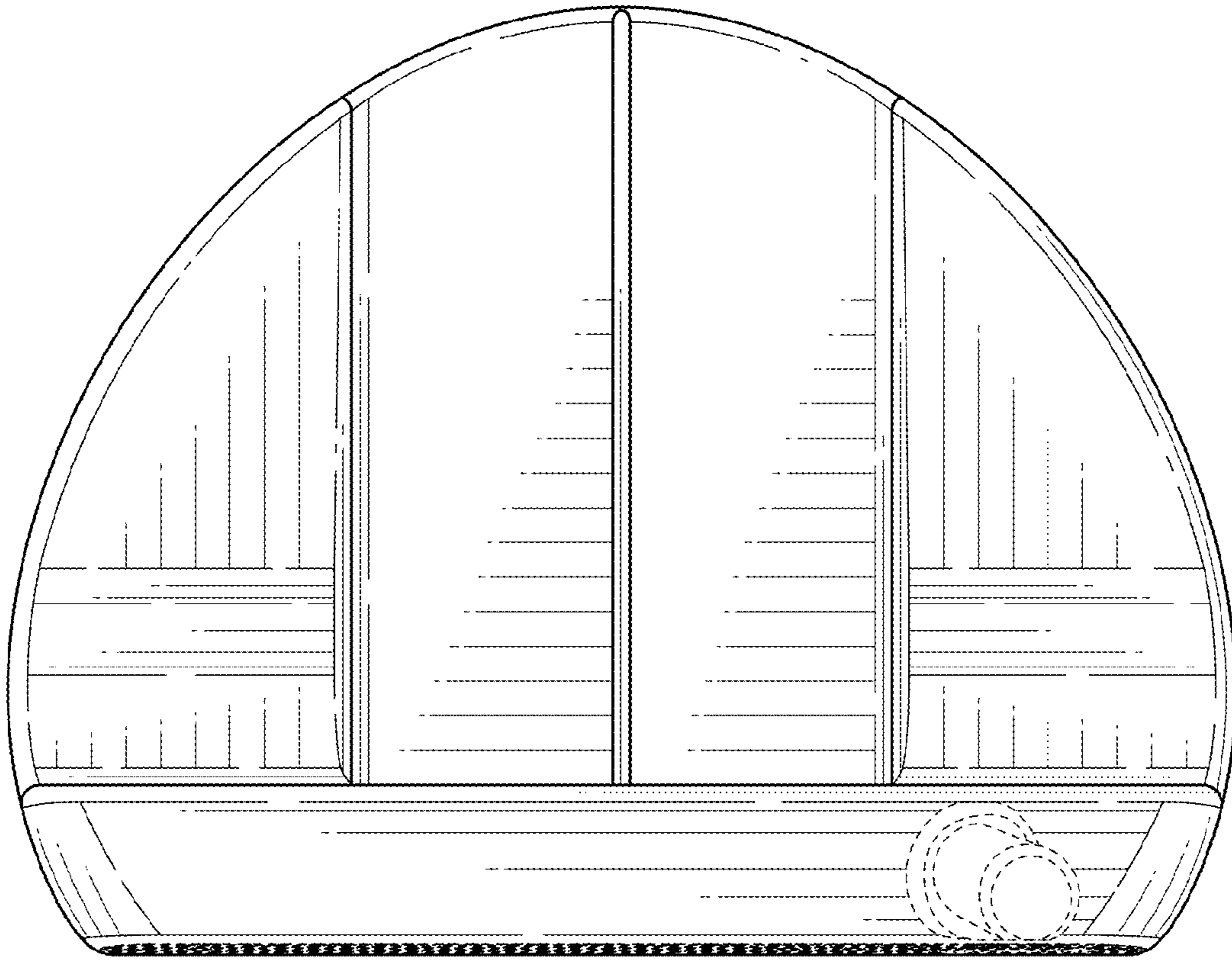


FIG. 6

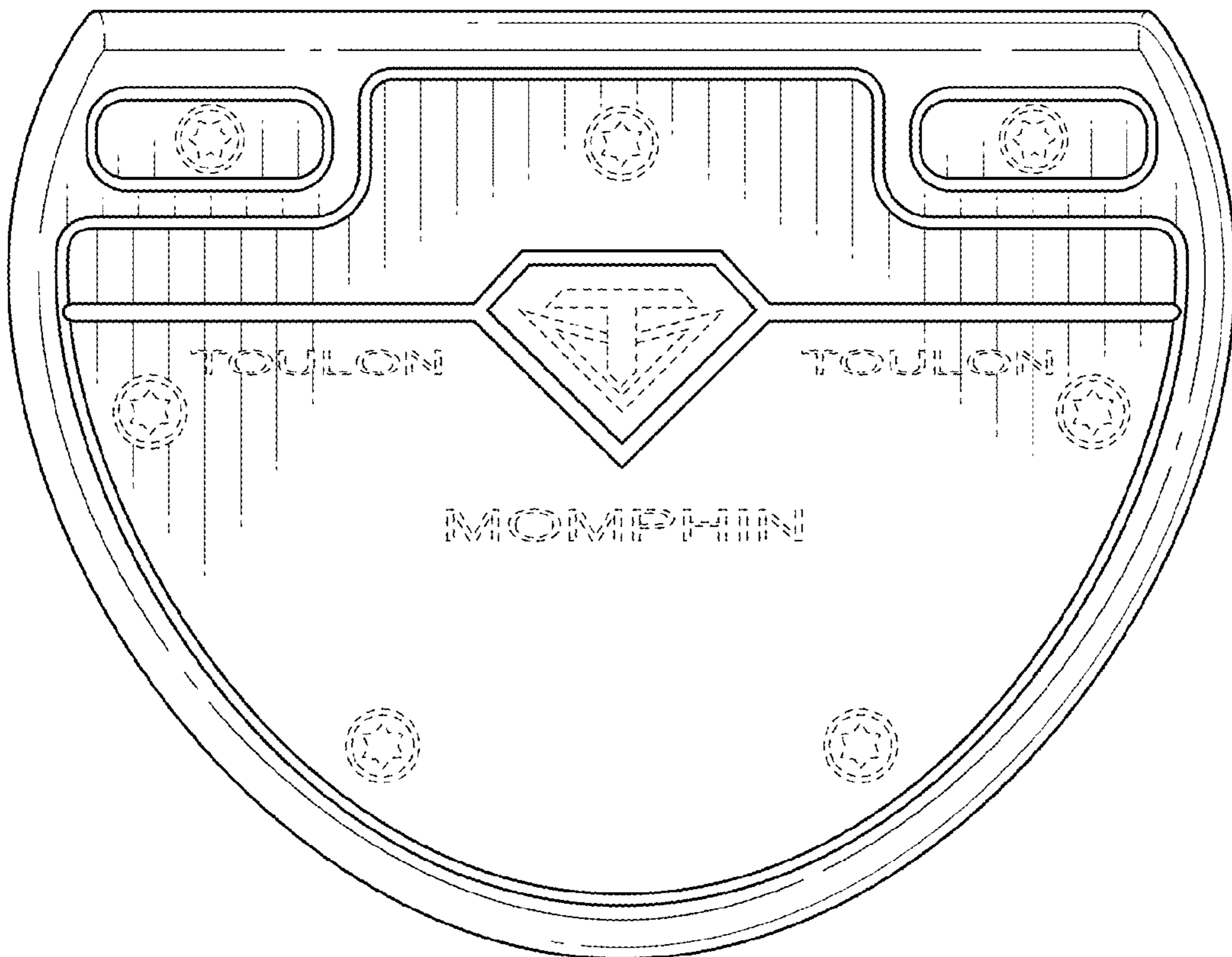


FIG. 7