



US00D982687S

(12) **United States Design Patent**
Toulon et al.

(10) **Patent No.: US D982,687 S**

(45) **Date of Patent: ** *Apr. 4, 2023**

(54) **PUTTER HEAD**

(71) Applicant: **Callaway Golf Company**, Carlsbad, CA (US)

(72) Inventors: **Sean Toulon**, Vista, CA (US); **Luke Williams**, Carlsbad, CA (US); **Patrick Dawson**, Poway, CA (US); **JulieAnn Larson**, Oceanside, CA (US); **Keith Kingston**, Carlsbad, CA (US)

(73) Assignee: **Topgolf Callaway Brands Corp.**, Carlsbad, CA (US)

(*) Notice: This patent is subject to a terminal disclaimer.

(**) Term: **15 Years**

(21) Appl. No.: **29/797,589**

(22) Filed: **Jul. 1, 2021**

(51) **LOC (14) Cl.** **21-02**

(52) **U.S. Cl.**
USPC **D21/743**

(58) **Field of Classification Search**
USPC D21/736-746, 759
CPC A63B 53/00; A63B 53/04; A63B 53/007;
A63B 53/065; A63B 53/0487; A63B
60/00; A63B 60/46
See application file for complete search history.

(56) **References Cited**

U.S. PATENT DOCUMENTS

D641,440 S * 7/2011 Hettinger D21/743
D777,268 S * 1/2017 Becktor D21/742
D826,353 S * 8/2018 Cameron D21/736

D844,724 S * 4/2019 Wang D21/743
D875,195 S * 2/2020 Serrano D21/743
D912,172 S * 3/2021 Toulon D21/743
D912,175 S * 3/2021 Toulon D21/743
D912,176 S * 3/2021 Toulon D21/743
D923,730 S * 6/2021 Serrano D21/743
D929,515 S * 8/2021 Wang D21/743
D929,519 S * 8/2021 Agrella D21/744
D934,361 S * 10/2021 Toulon D21/736
D943,692 S * 2/2022 Rollinson D21/744
D946,679 S * 3/2022 Rollinson D21/744

OTHER PUBLICATIONS

Golf putter google search.google.com; Dec. 8, 2022.*
Odyssey golf putters; callawaygolf.com; Dec. 8, 2022.*

* cited by examiner

Primary Examiner — Mitchell I. Siegel

(74) *Attorney, Agent, or Firm* — Michael A. Catania;
Rebecca Hanovice; Sonia Lari

(57) **CLAIM**

The ornamental design for a putter head, as shown and described.

DESCRIPTION

FIG. 1 is a rear perspective view of the putter head claimed herein;

FIG. 2 is a front elevational view thereof;

FIG. 3 is a rear elevational view thereof;

FIG. 4 is a left side elevational view thereof;

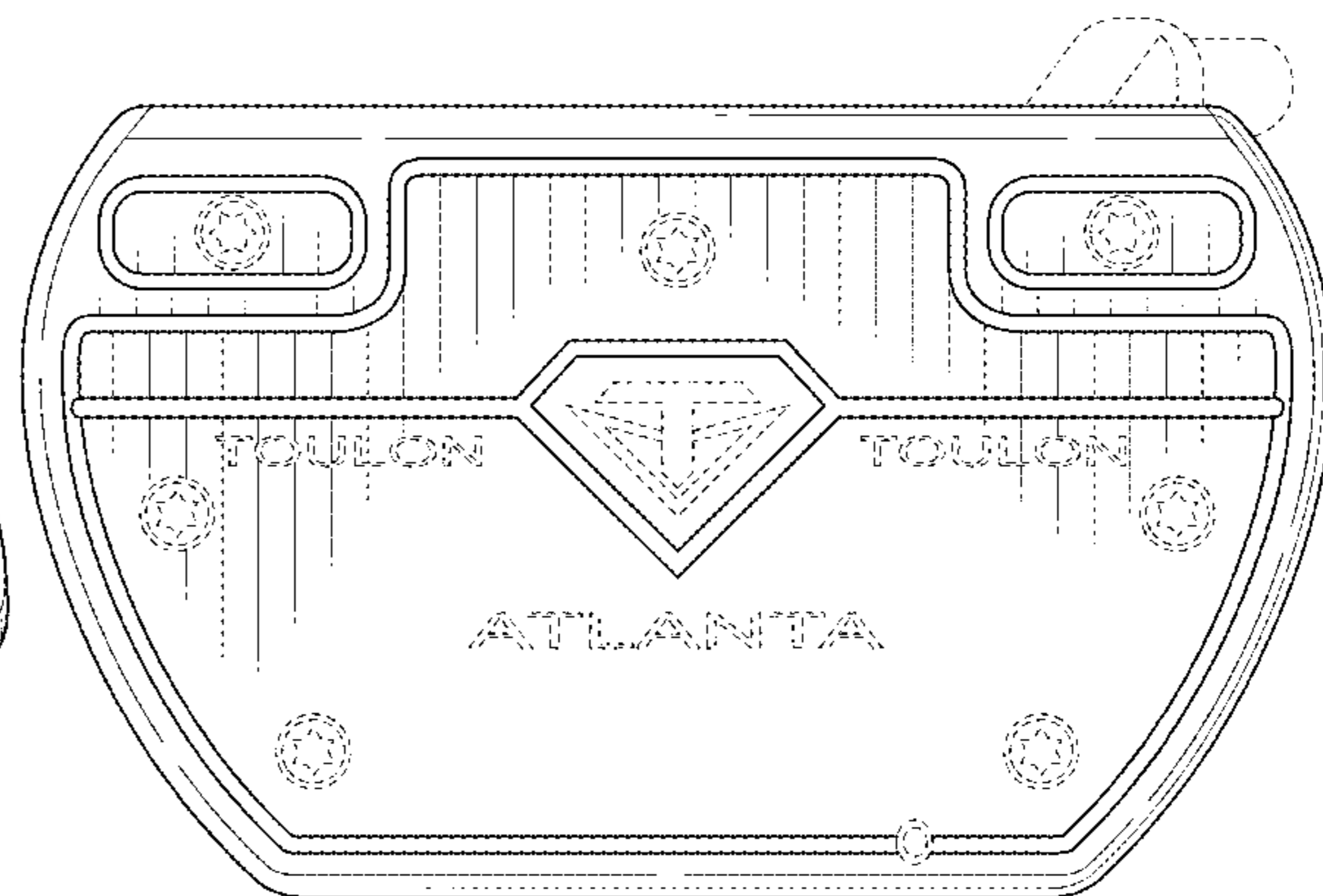
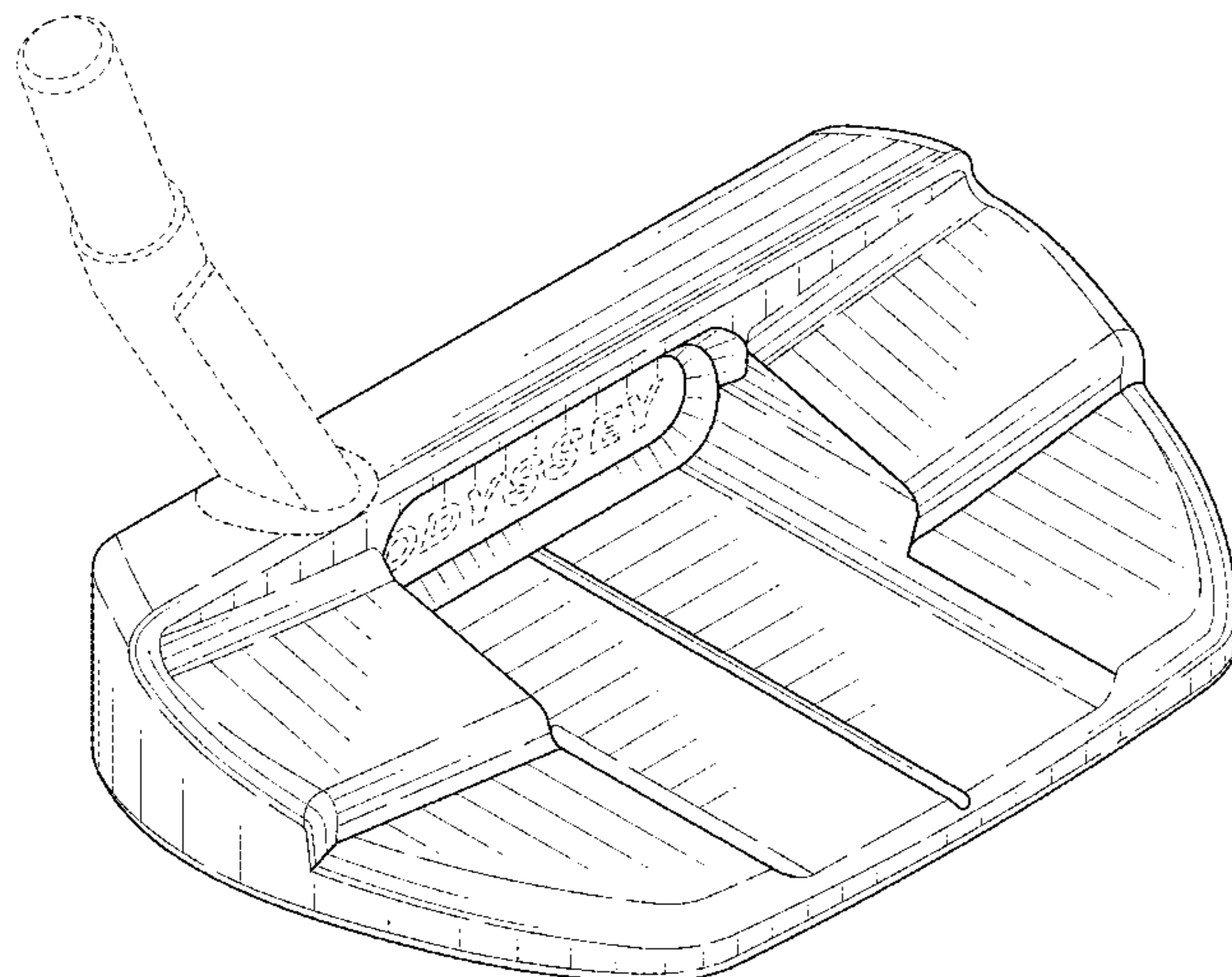
FIG. 5 is a right side elevational view thereof;

FIG. 6 is a top plan view thereof; and,

FIG. 7 is a bottom plan view thereof.

The broken lines shown form no part of the claimed design.

1 Claim, 4 Drawing Sheets



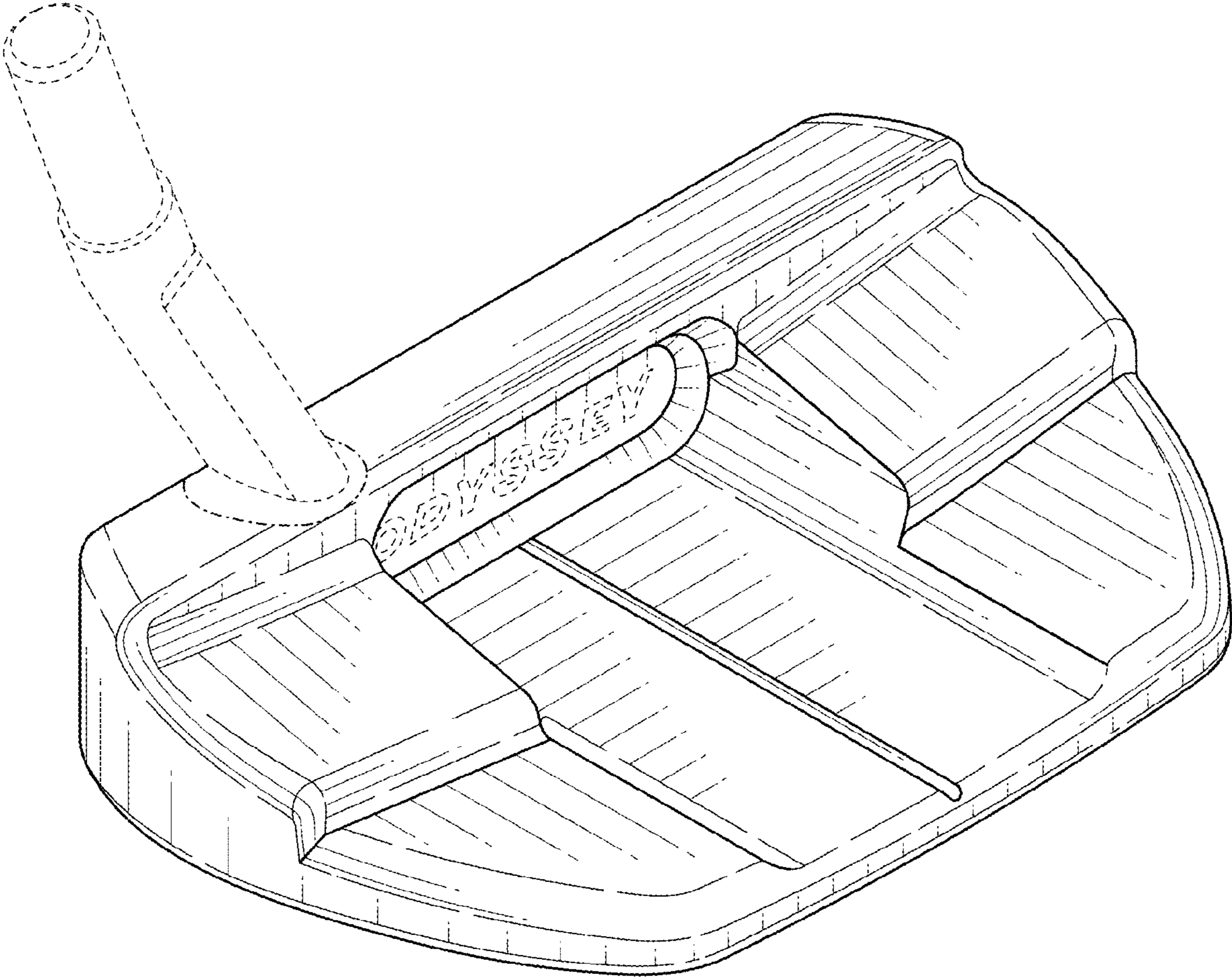


FIG. 1

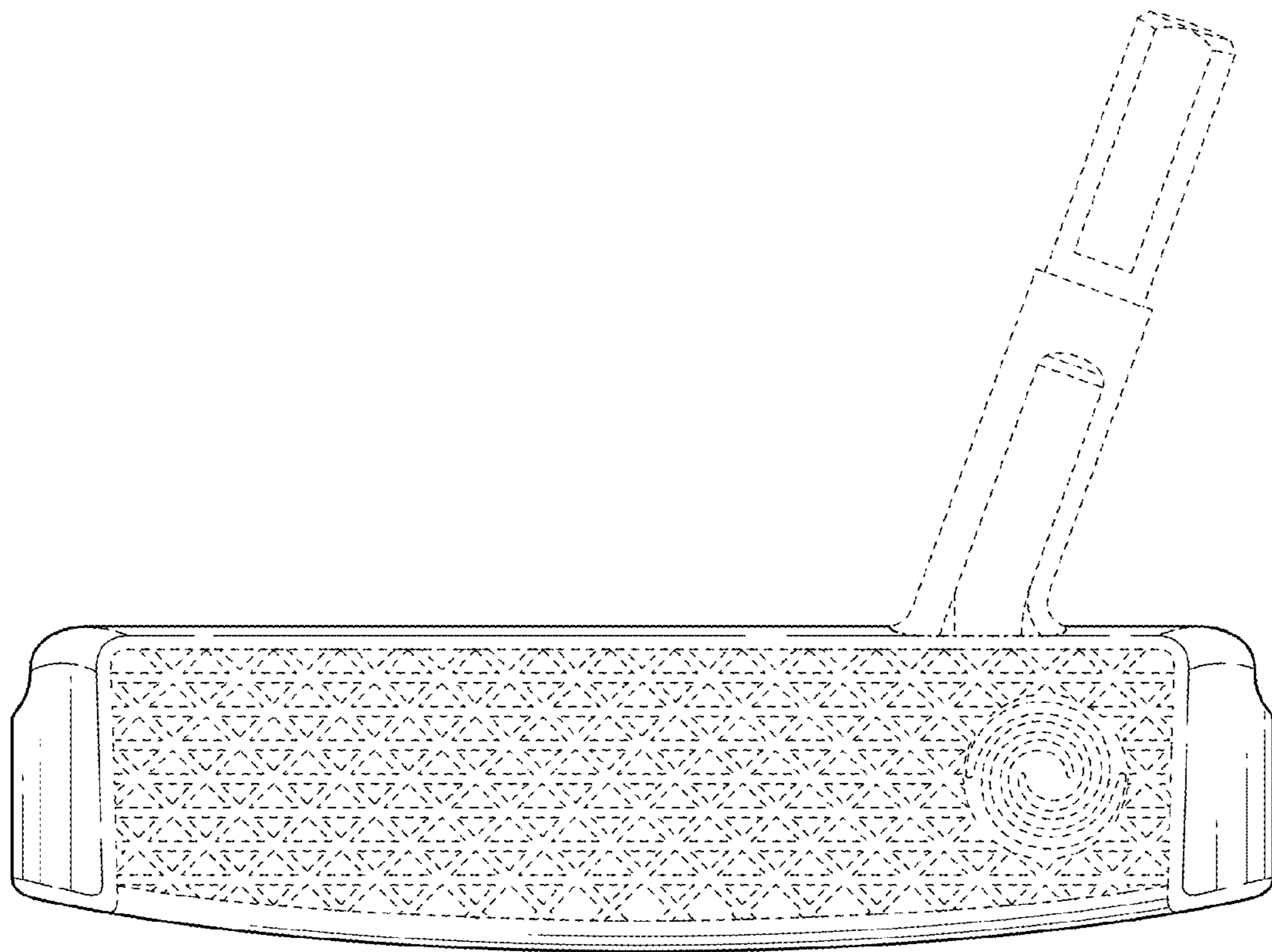


FIG. 2

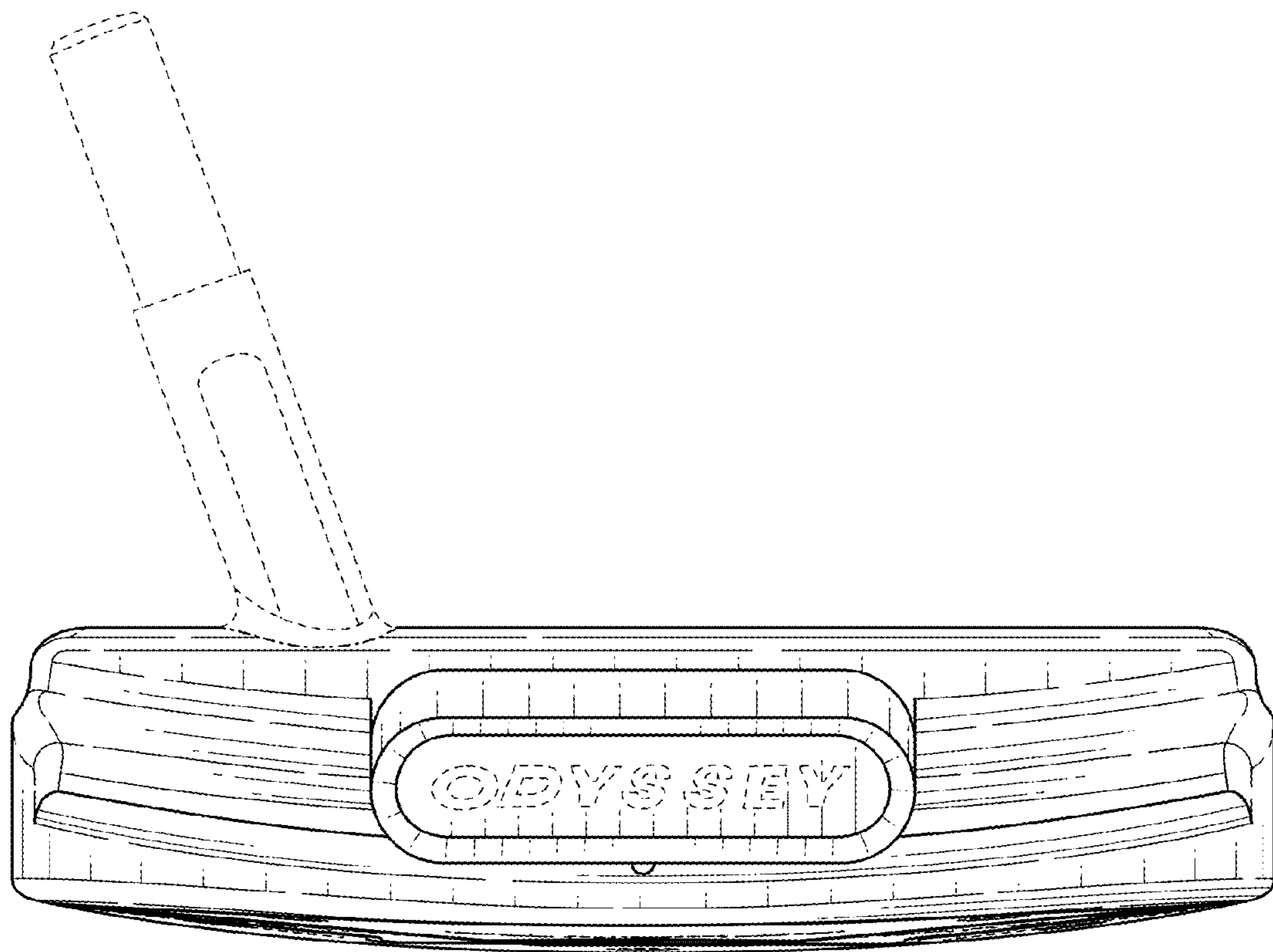


FIG. 3

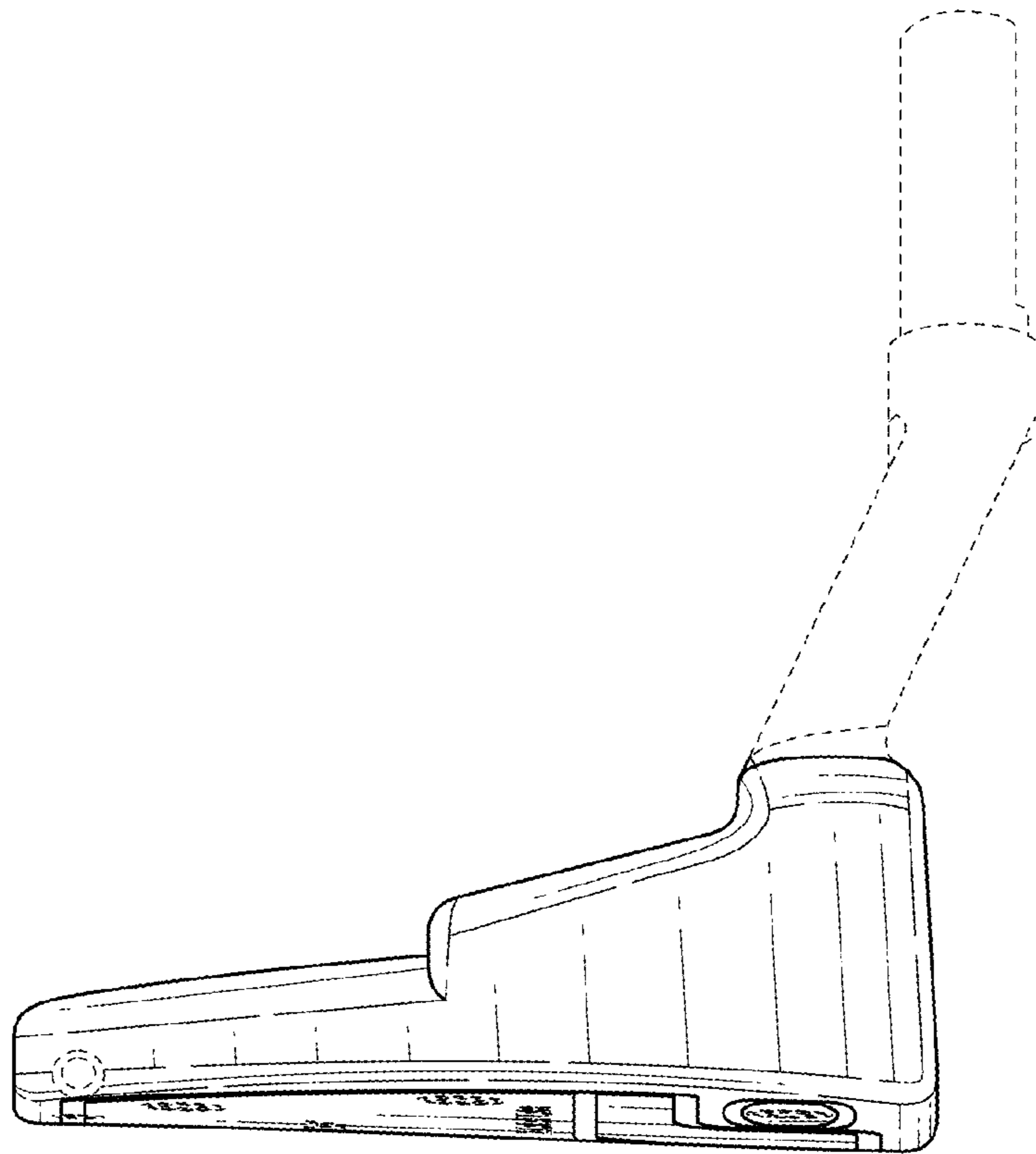


FIG. 4

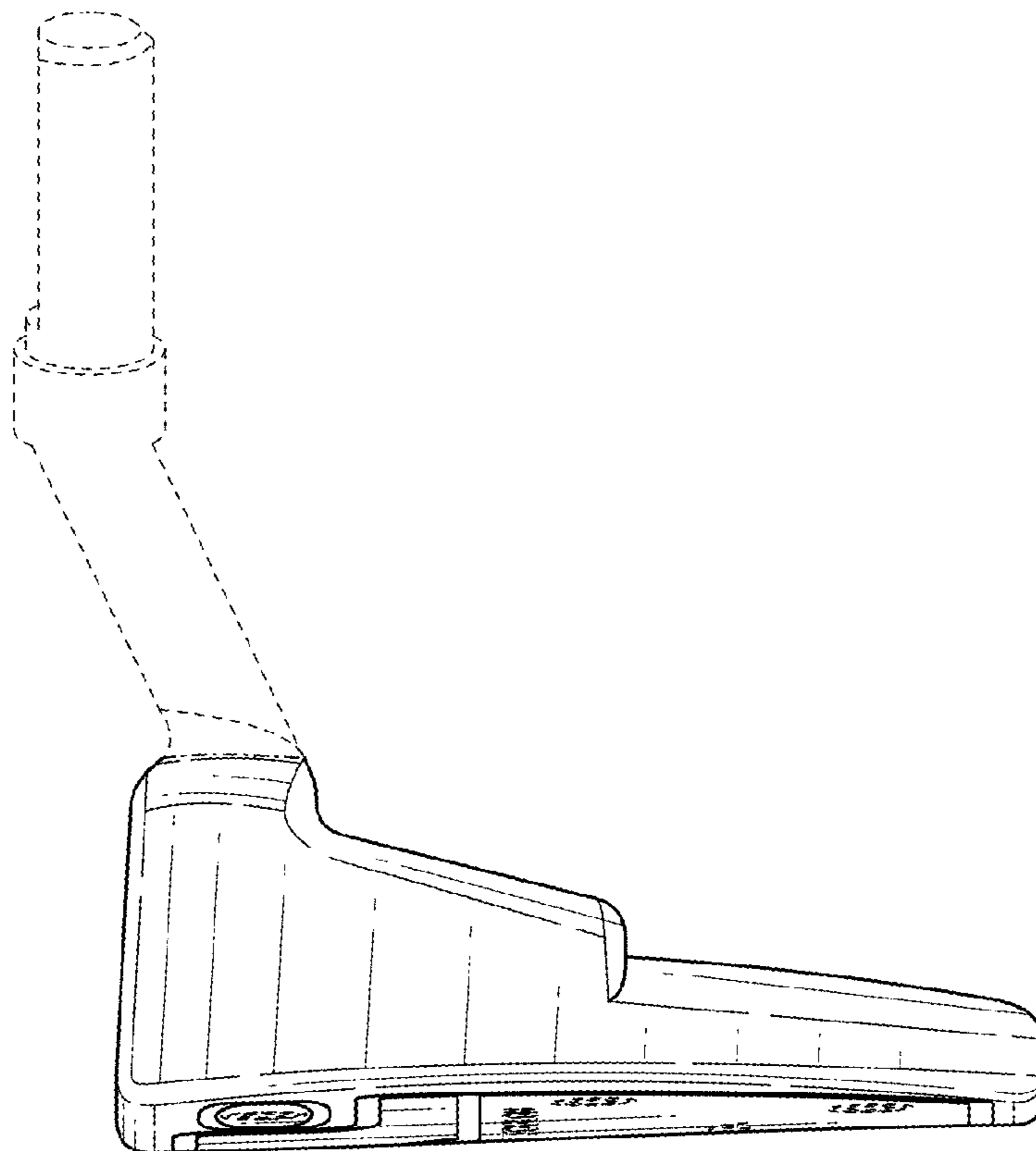


FIG. 5

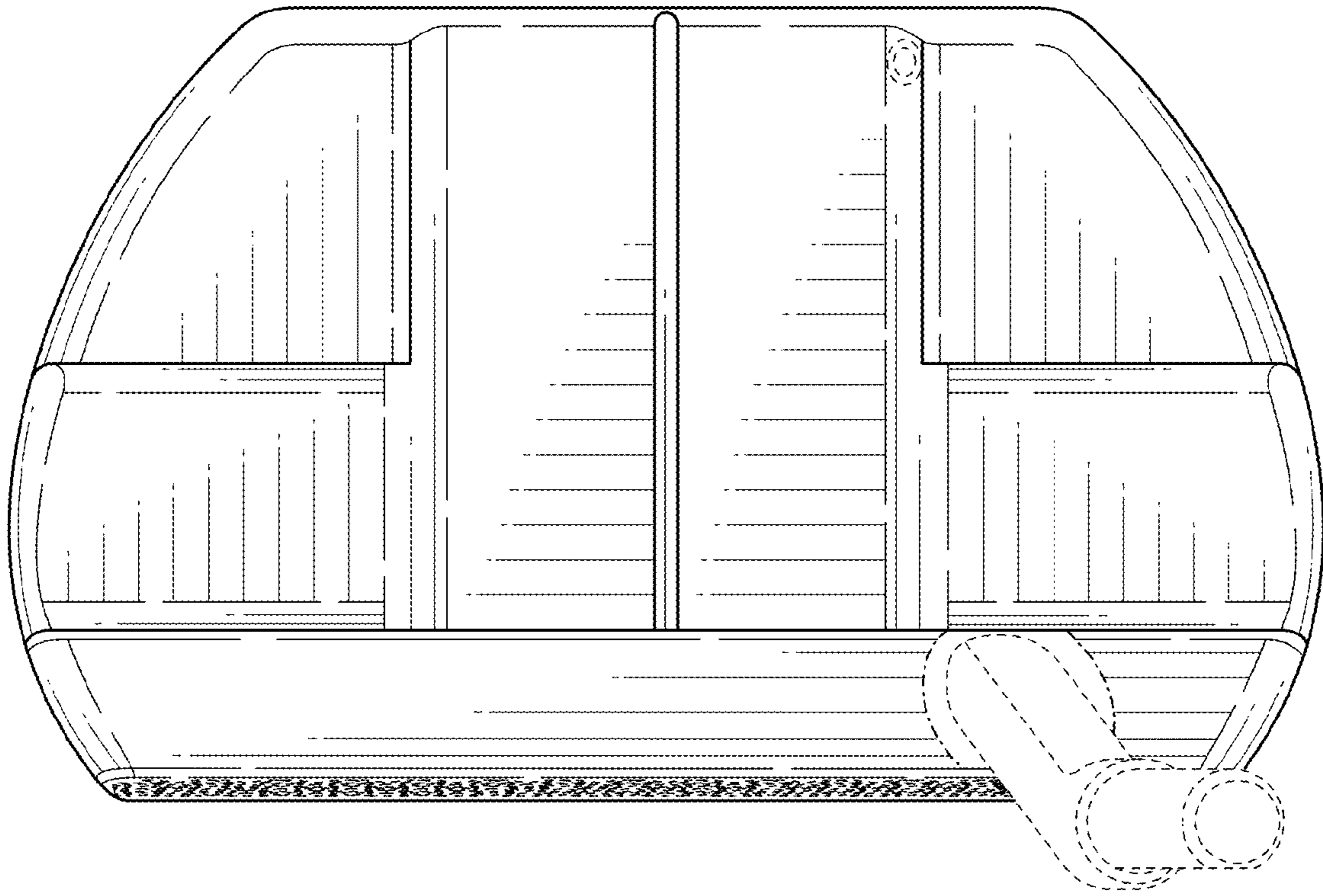


FIG. 6

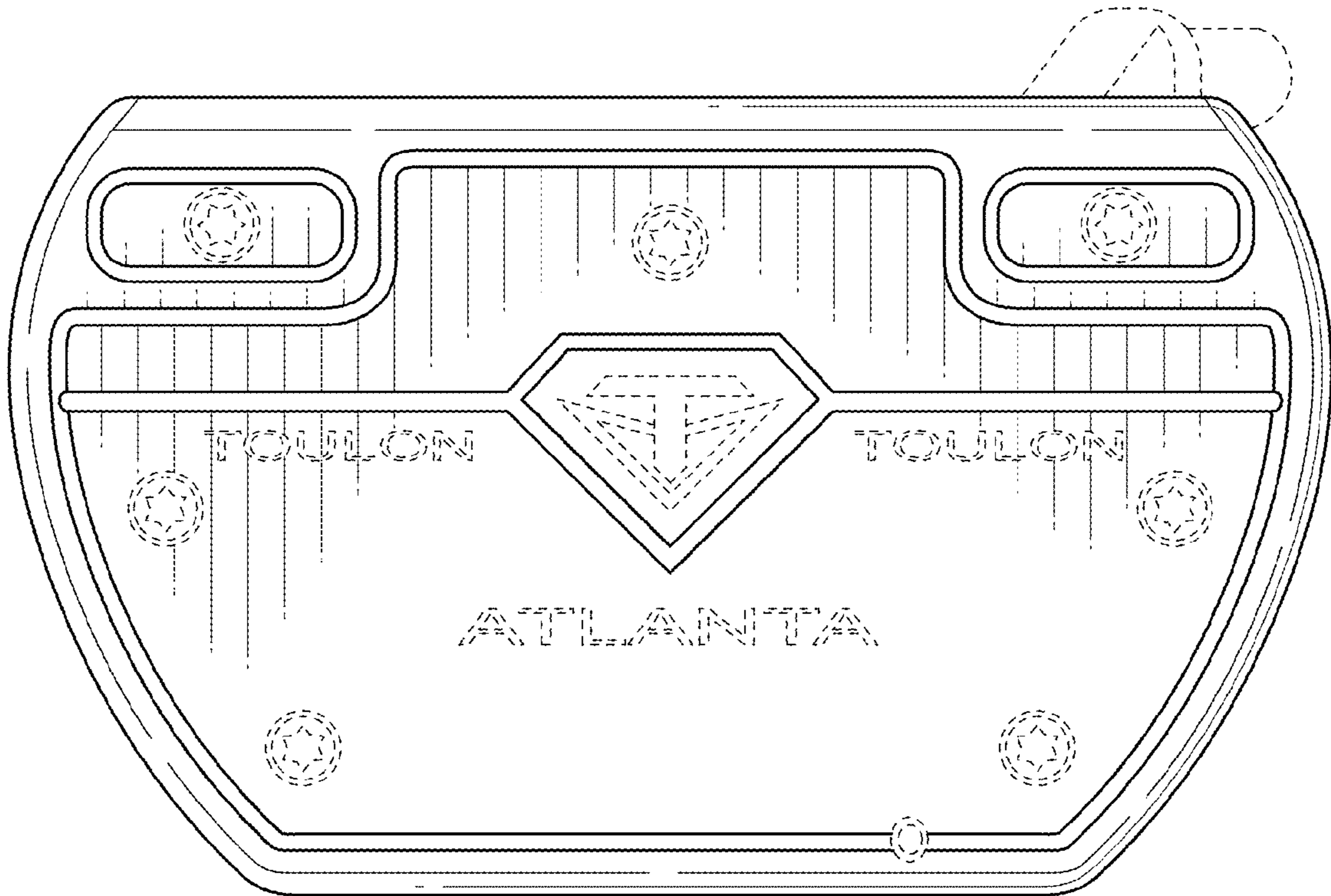


FIG. 7