



US00D982686S

(12) **United States Design Patent**
Toulon et al.

(10) **Patent No.:** **US D982,686 S**

(45) **Date of Patent:** **** *Apr. 4, 2023**

(54) **PUTTER HEAD**

(71) Applicant: **Callaway Golf Company**, Carlsbad, CA (US)

(72) Inventors: **Sean Toulon**, Vista, CA (US); **Luke Williams**, Carlsbad, CA (US); **Patrick Dawson**, Poway, CA (US)

(73) Assignee: **Topgolf Callaway Brands Corp.**, Carlsbad, CA (US)

(*) Notice: This patent is subject to a terminal disclaimer.

(**) Term: **15 Years**

(21) Appl. No.: **29/795,587**

(22) Filed: **Jun. 18, 2021**

(51) **LOC (14) Cl.** **21-02**

(52) **U.S. Cl.**
USPC **D21/742**

(58) **Field of Classification Search**
USPC D21/736-746, 759
CPC A63B 53/00; A63B 53/04; A63B 53/007;
A63B 53/065; A63B 53/0487; A63B
60/00; A63B 60/46

See application file for complete search history.

(56) **References Cited**

U.S. PATENT DOCUMENTS

D457,586 S *	5/2002	Tang	D21/759
D458,656 S *	6/2002	Tang	D21/738
6,506,125 B2 *	1/2003	Helmstetter	A63B 53/0487 473/340
D470,904 S *	2/2003	Tang	D21/742
D471,940 S *	3/2003	Tang	D21/759
D479,291 S *	9/2003	Murray	D21/742
D485,323 S *	1/2004	Wagner	D21/744

6,905,420 B2 *	6/2005	Tang	A63B 53/0487 473/340
D572,780 S *	7/2008	Rollinson	D21/744
D592,717 S *	5/2009	Rollinson	D21/742
D619,665 S *	7/2010	Rollinson	D21/742
D641,816 S *	7/2011	Rollinson	D21/744
D650,459 S *	12/2011	Rollinson	D21/746
D688,340 S *	8/2013	Tang	D21/742
D704,287 S *	5/2014	Tang	D21/742
D846,672 S *	4/2019	Rollinson	D21/744
D888,174 S *	6/2020	Rollinson	D21/744
D890,277 S *	7/2020	Rollinson	D21/744
D946,680 S *	3/2022	Rollinson	D21/744
D961,028 S *	8/2022	Toulon	D21/742

OTHER PUBLICATIONS

Golf putters google search; google.com; Dec. 8, 2022.*
Odyssey golf putters; callawaygolf.com; Dec. 8, 2022.*

* cited by examiner

Primary Examiner — Mitchell I. Siegel

(74) *Attorney, Agent, or Firm* — Michael A. Catania;
Rebecca Hanovice; Sonia Lari

(57) **CLAIM**

The ornamental design for a putter head, as shown and described.

DESCRIPTION

FIG. 1 is a rear perspective view of the putter head claimed herein;

FIG. 2 is a front elevational view thereof;

FIG. 3 is a rear elevational view thereof;

FIG. 4 is a left side elevational view thereof;

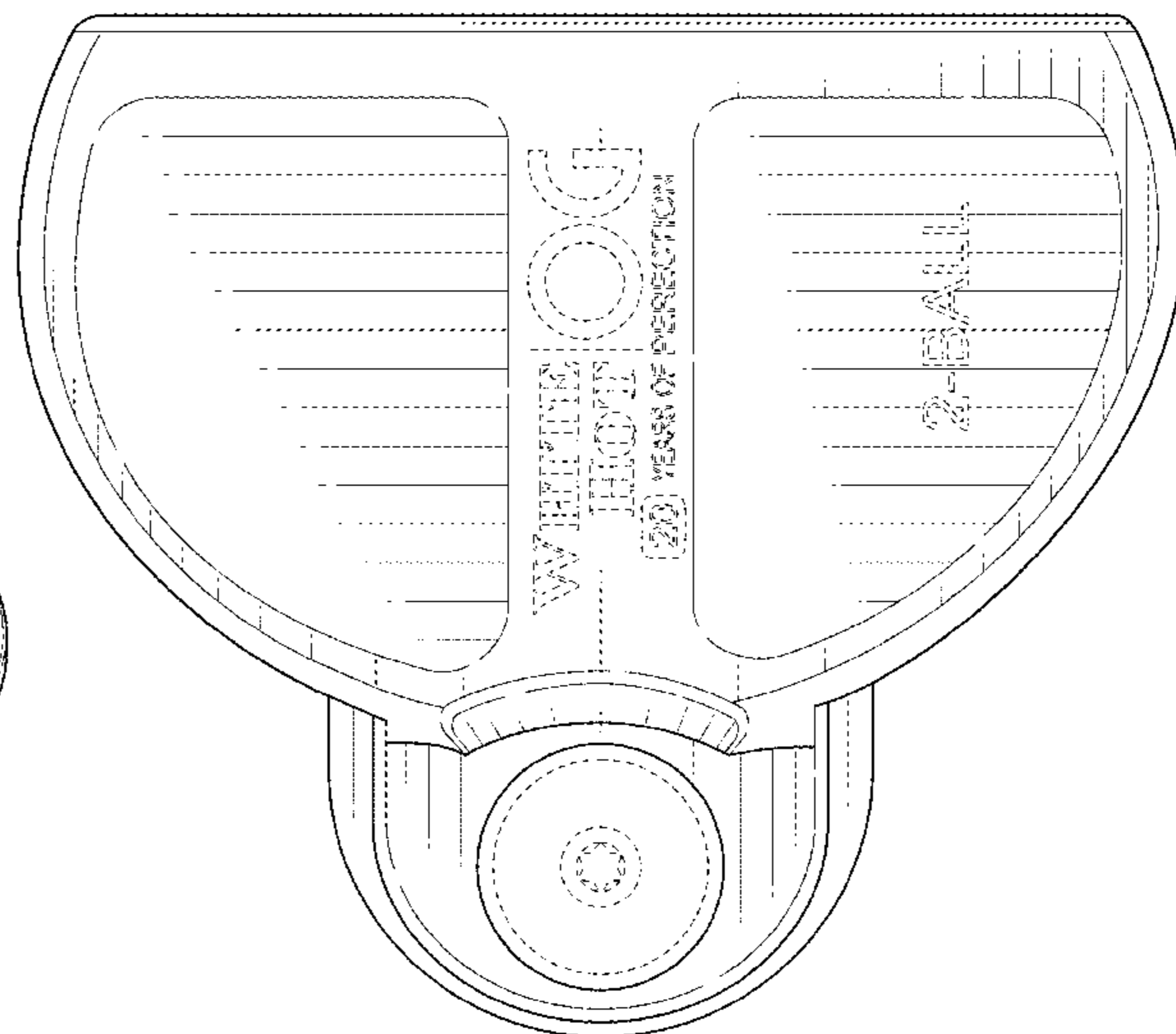
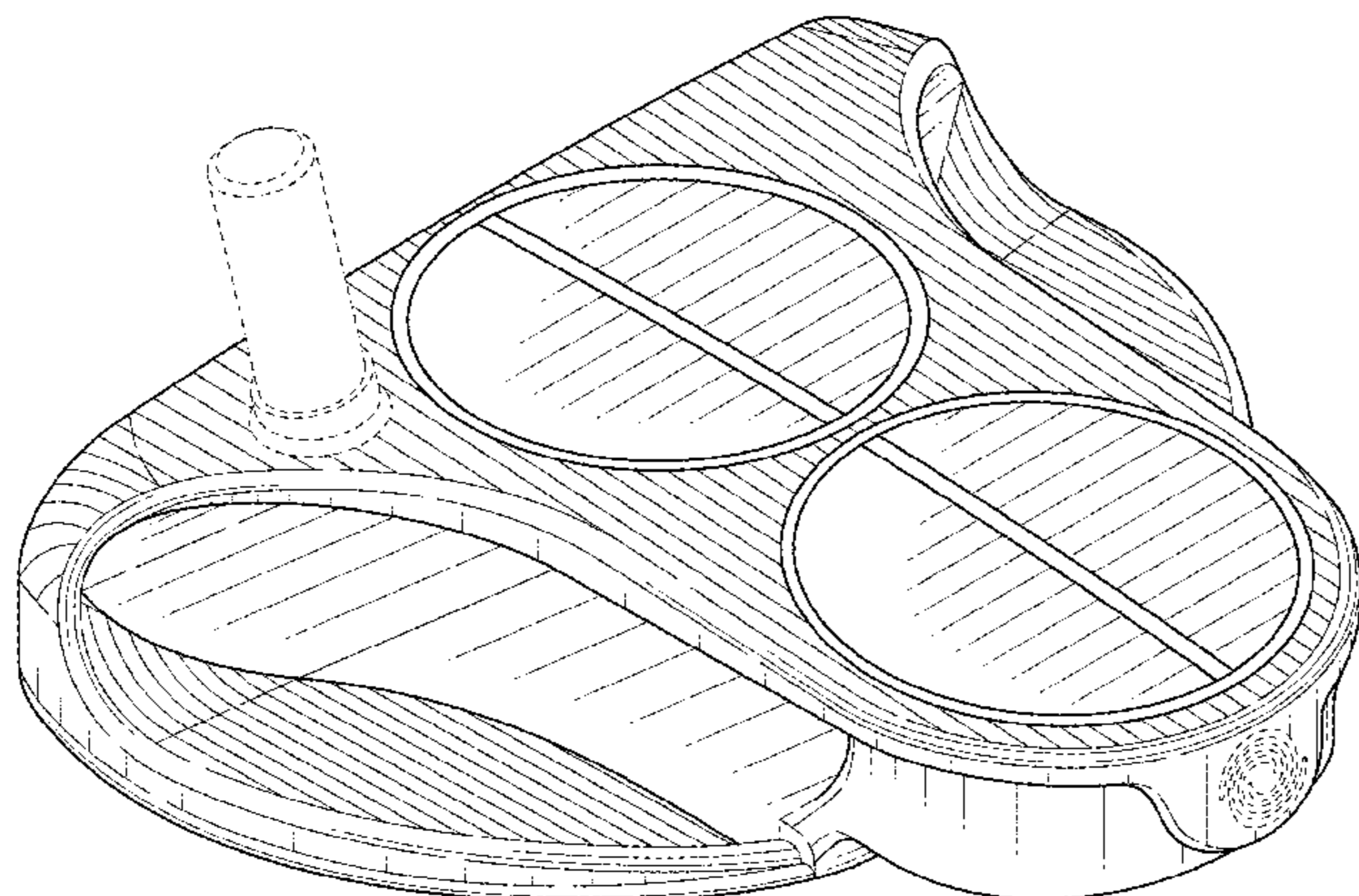
FIG. 5 is a right side elevational view thereof;

FIG. 6 is a top plan view thereof; and,

FIG. 7 is a bottom plan view thereof.

The broken lines shown form no part of the claimed design.

1 Claim, 5 Drawing Sheets



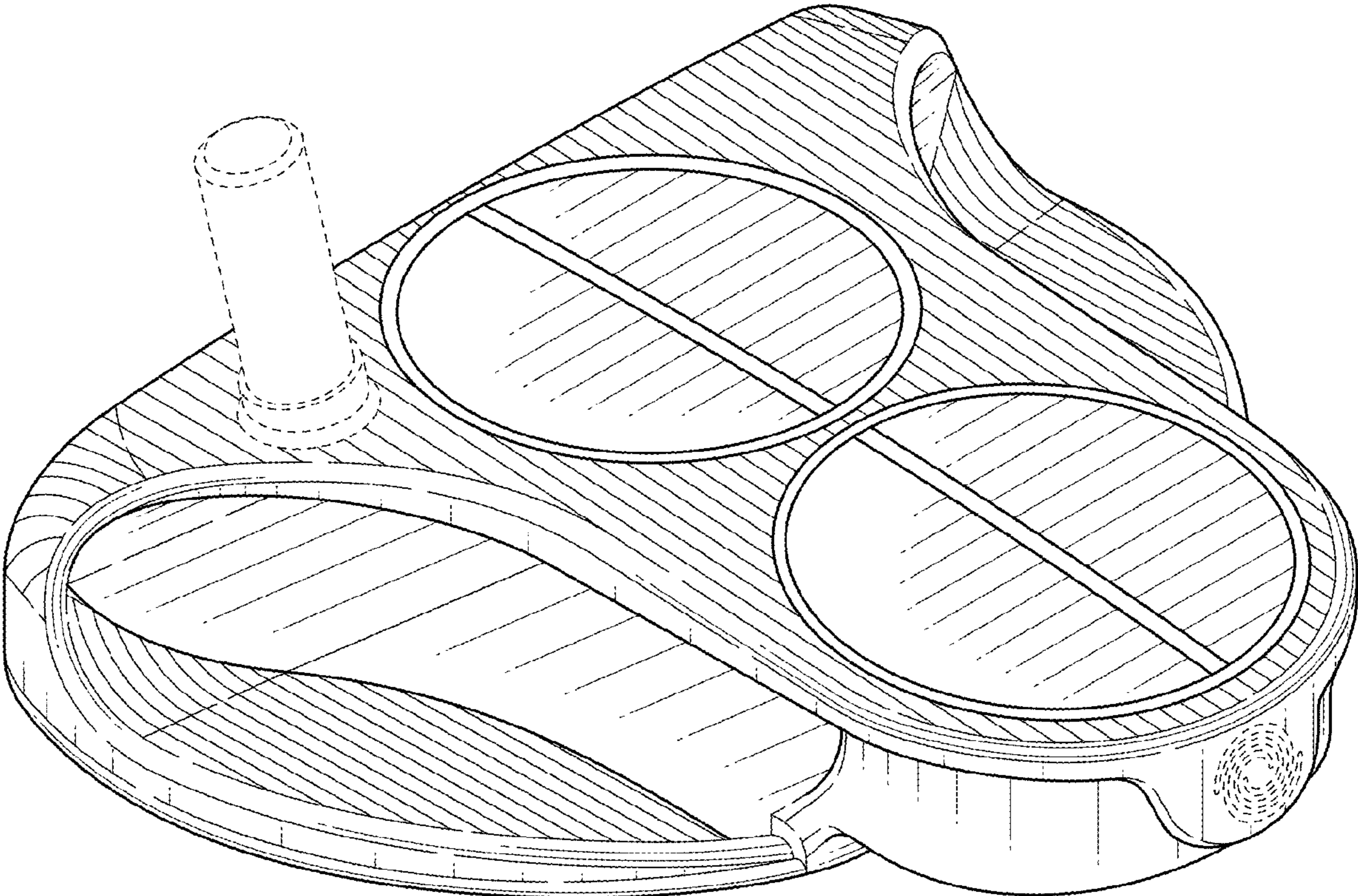


FIG. 1

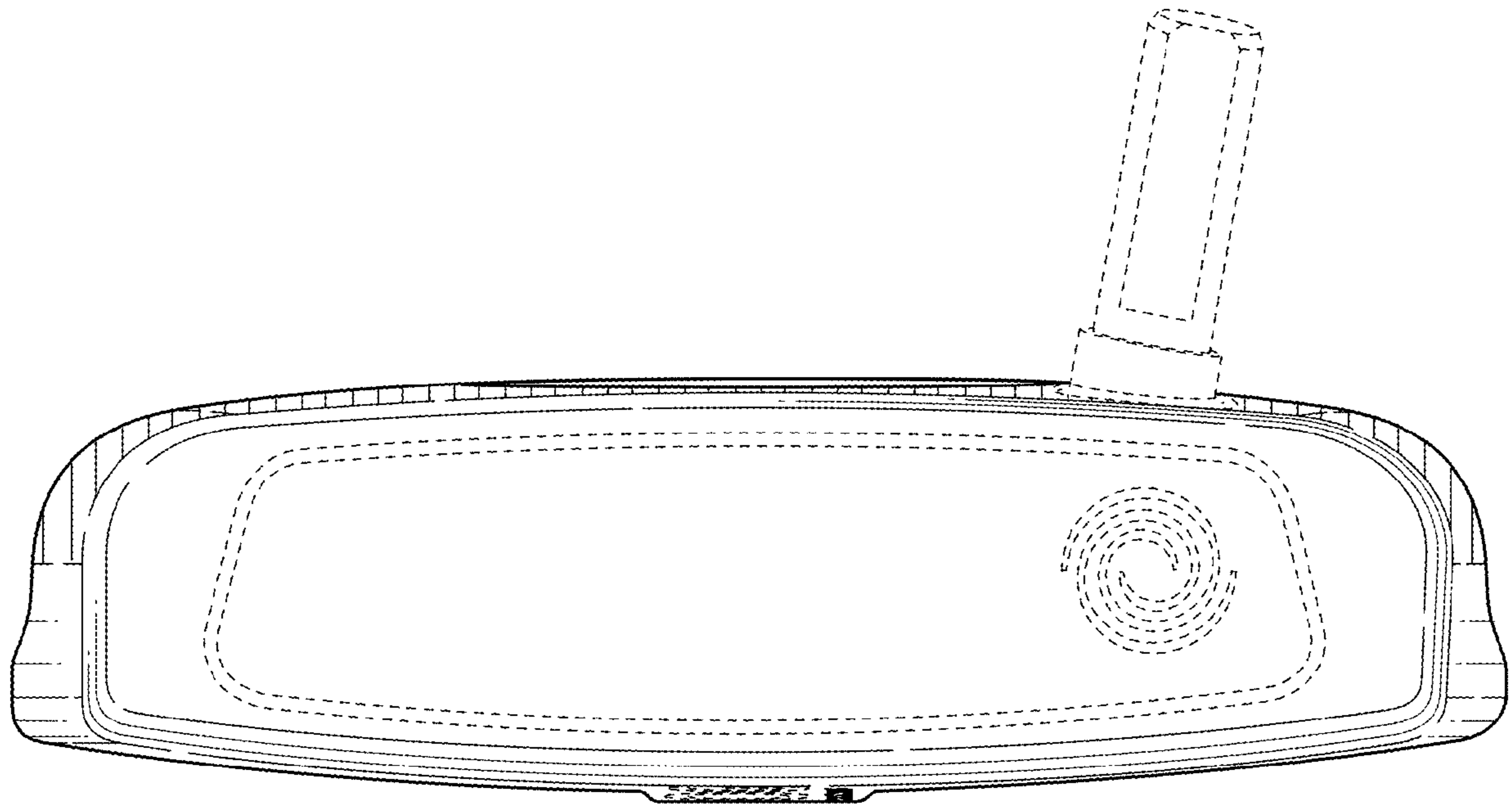


FIG. 2

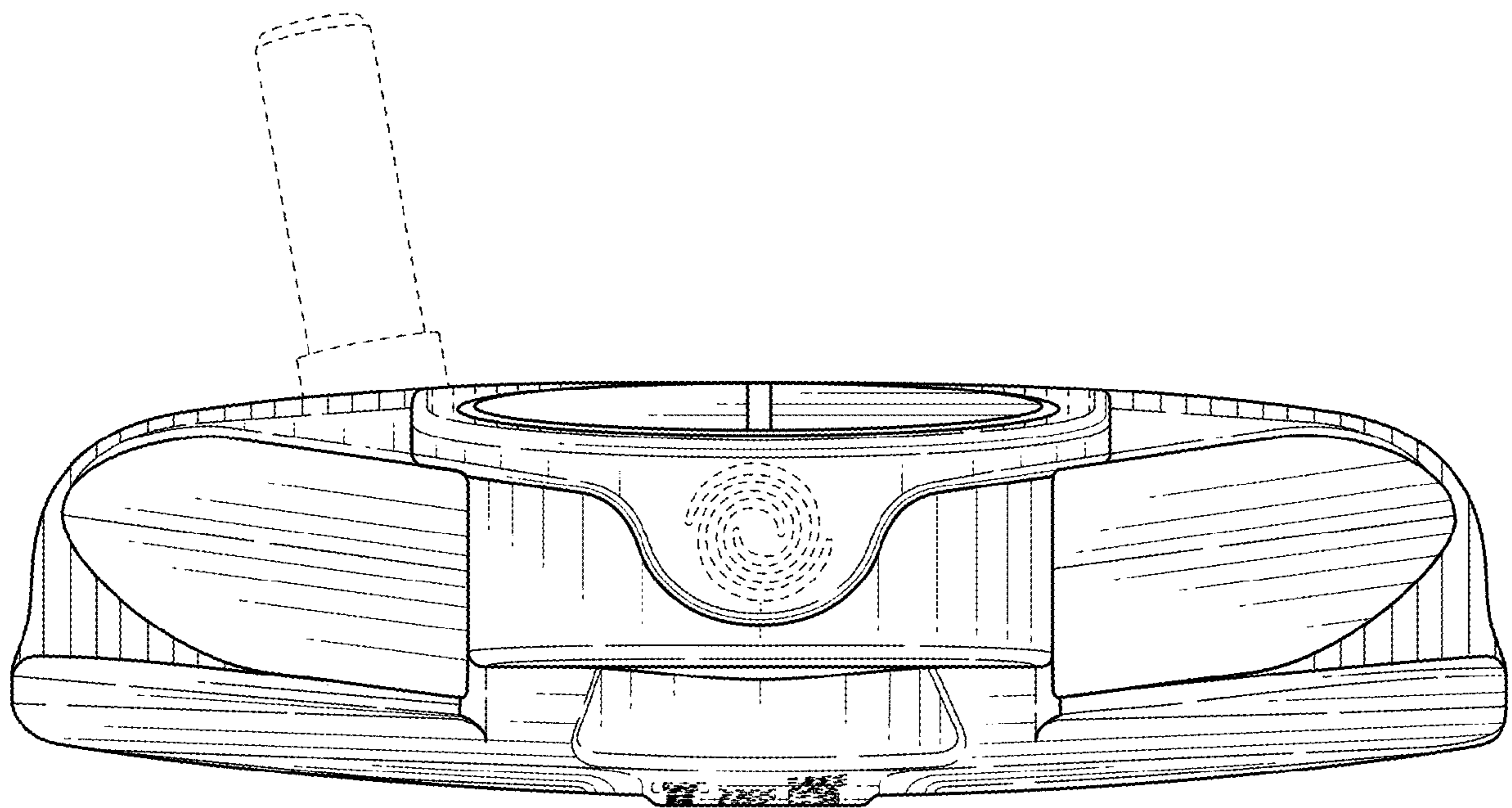


FIG. 3

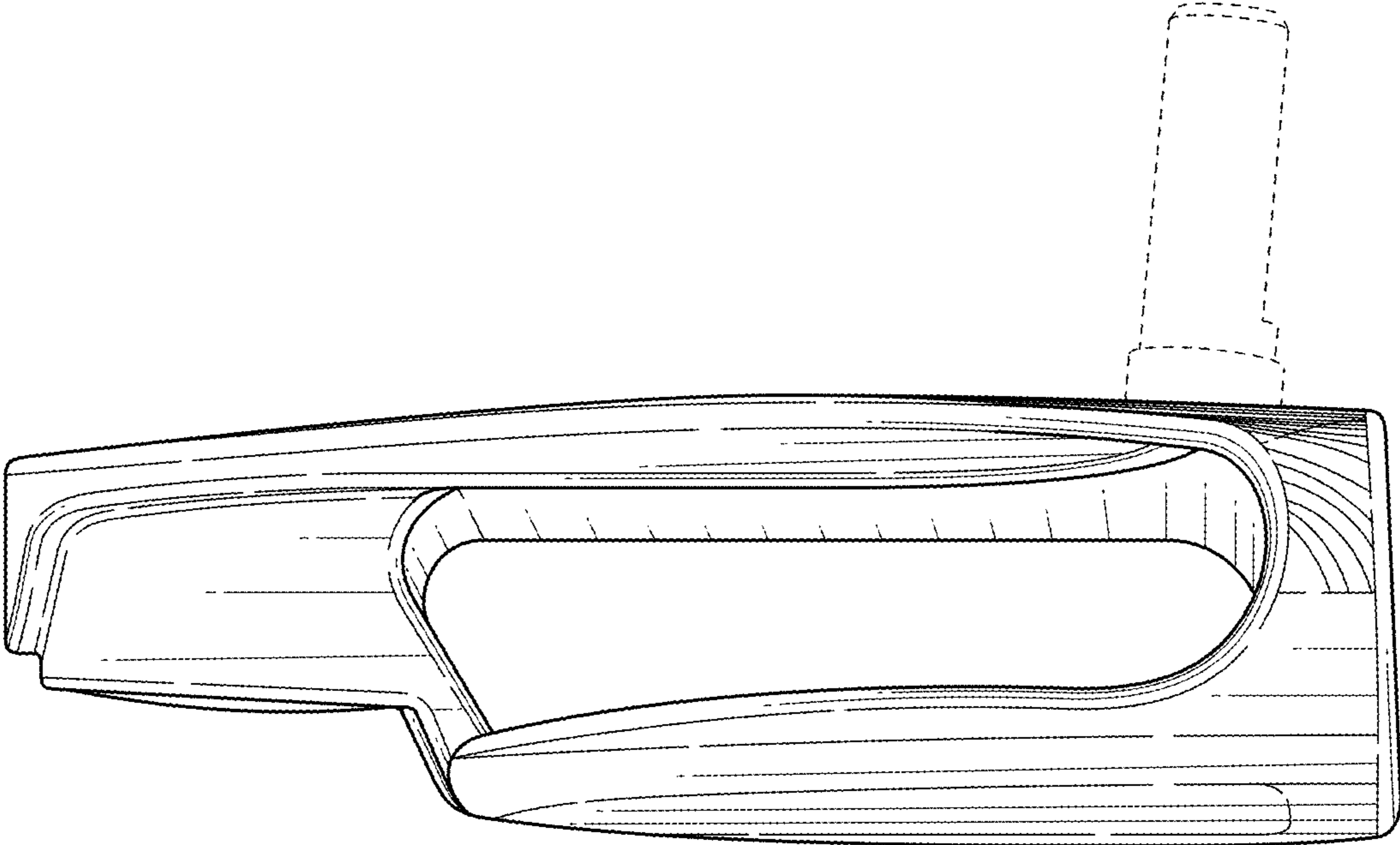


FIG. 4

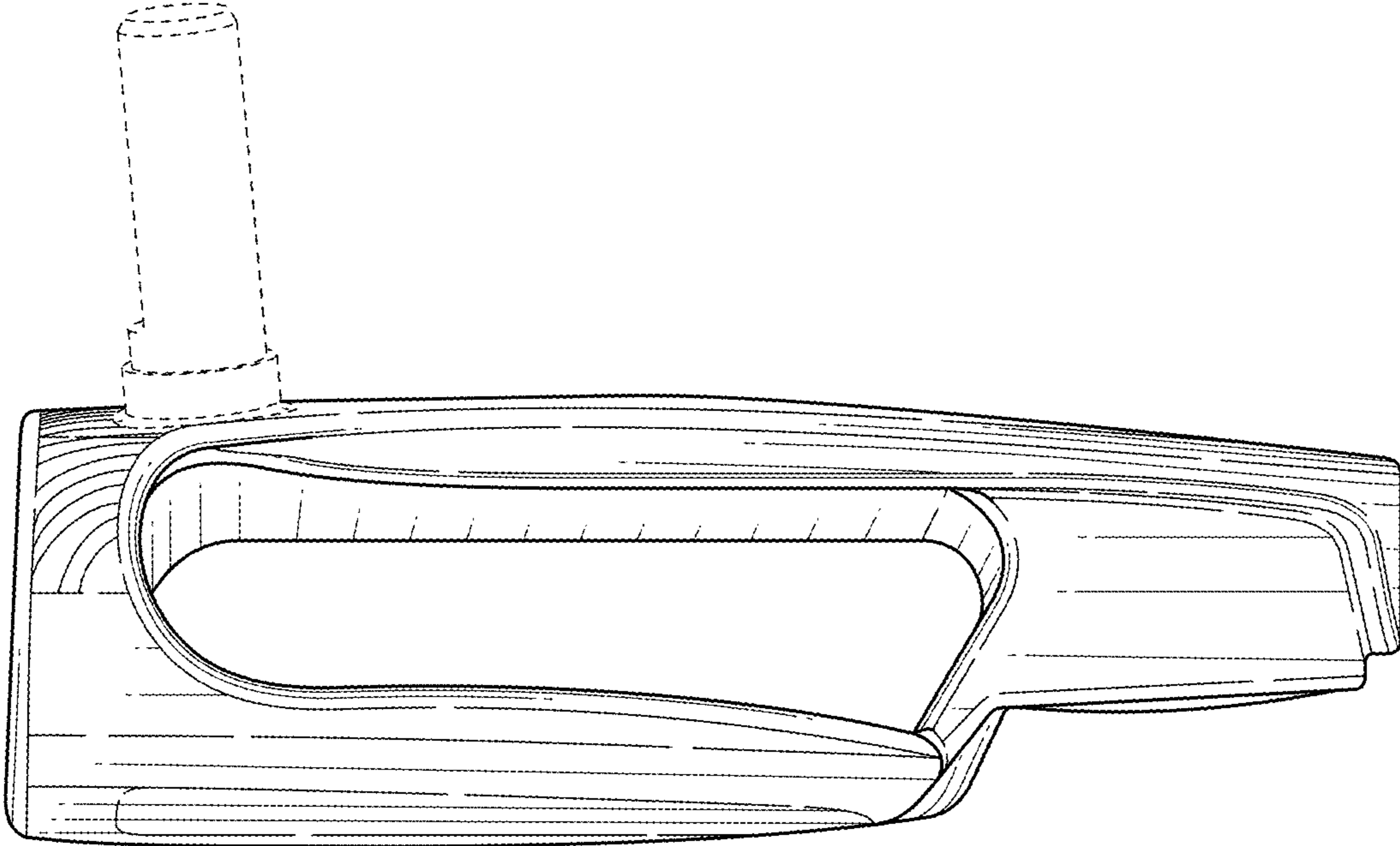


FIG. 5

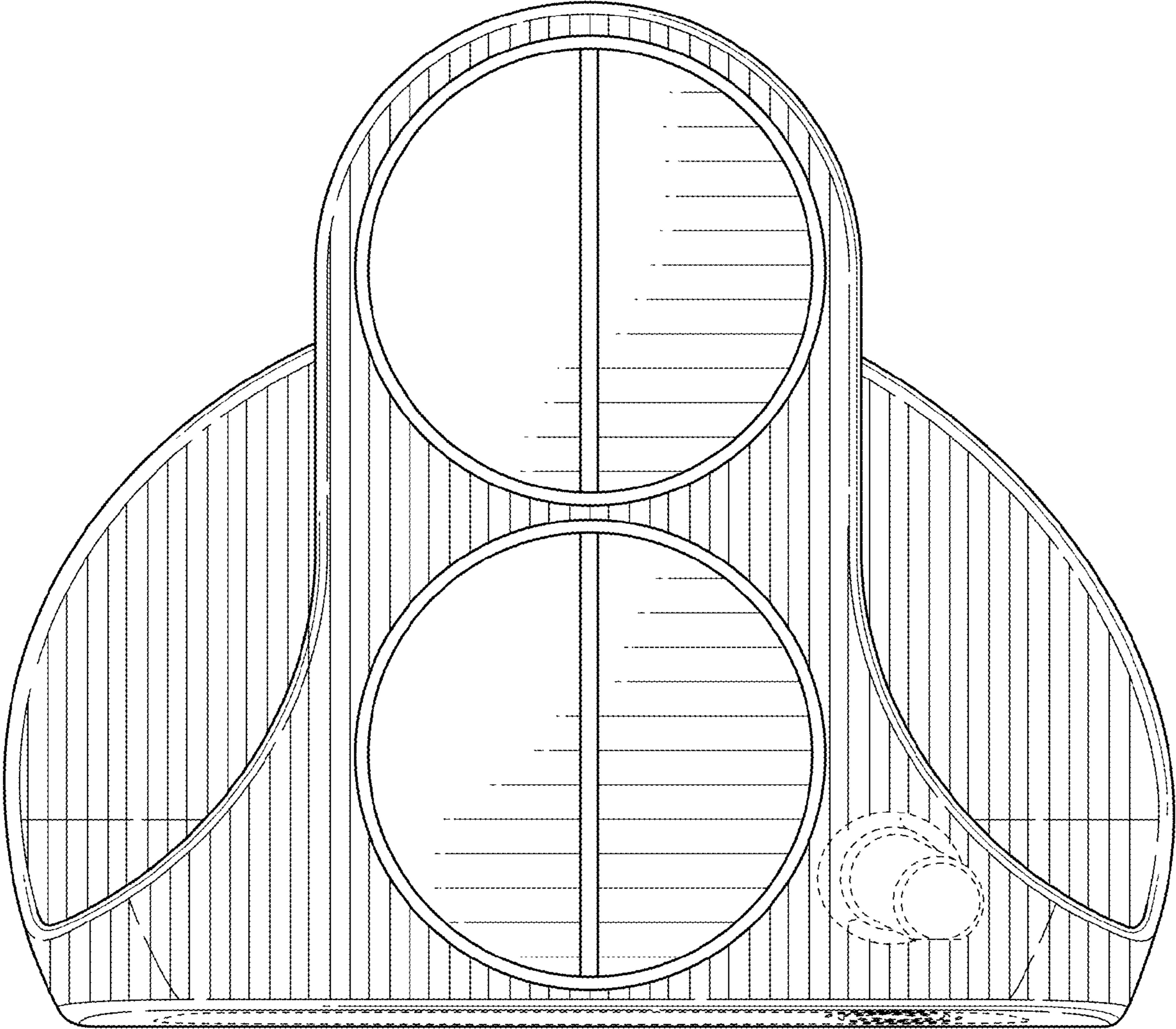


FIG. 6

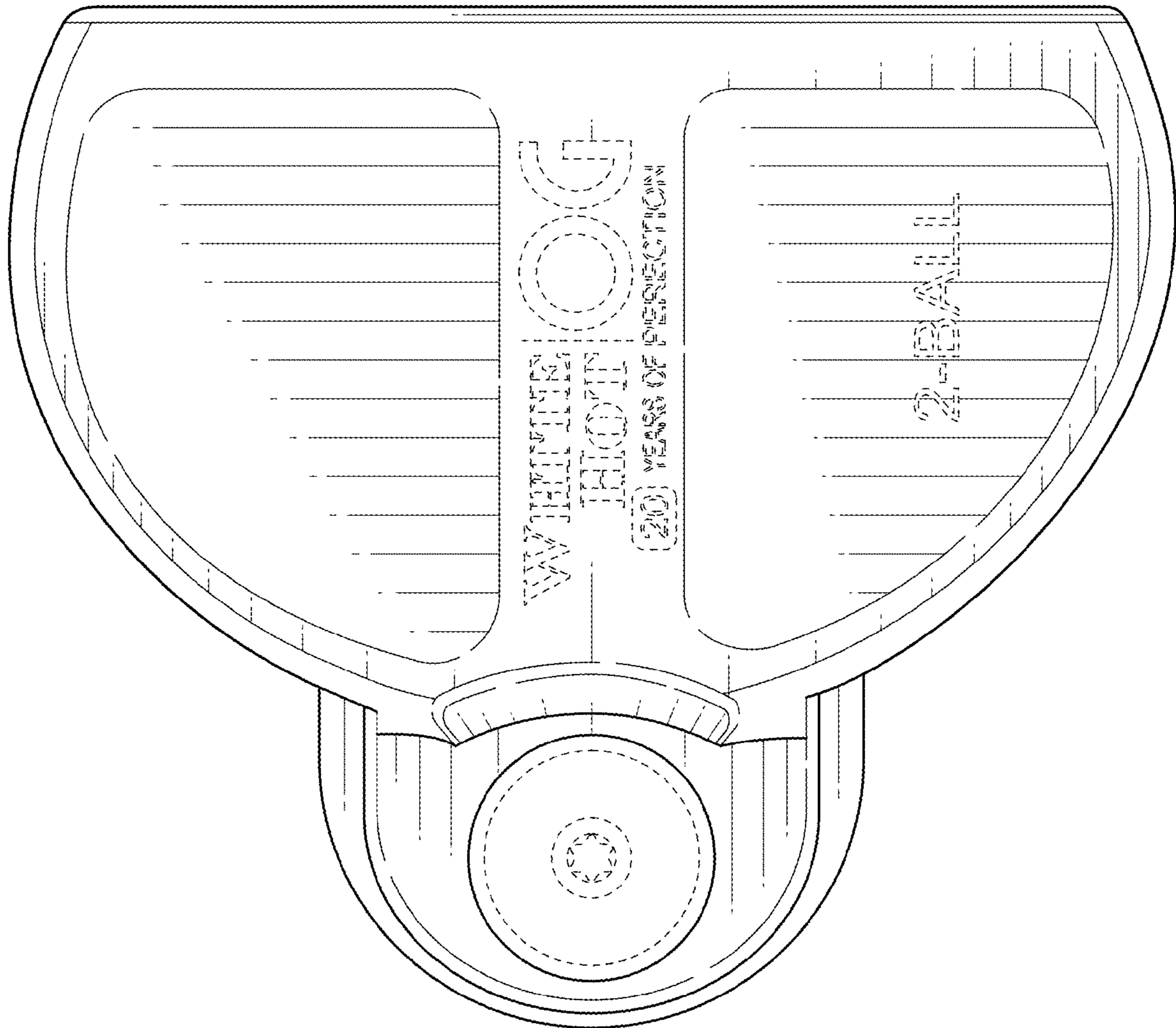


FIG. 7