



US00D982684S

(12) **United States Design Patent** (10) **Patent No.:** **US D982,684 S**
Spidalieri (45) **Date of Patent:** **** Apr. 4, 2023**

(54) **GRIPPED WEIGHT PLATE**
(71) Applicant: **Mike Spidalieri**, Tecumseh (CA)
(72) Inventor: **Mike Spidalieri**, Tecumseh (CA)
(73) Assignee: **Mike Spidalieri**, Tecumseh (CA)
(**) Term: **15 Years**

D751,157 S * 3/2016 Irwin D21/680
D777,266 S * 1/2017 Davies, III D21/680
D818,062 S * 5/2018 Lien D21/680
D895,740 S * 9/2020 Lovegrove D21/680
11,052,276 B1 * 7/2021 Baker A63B 21/0604
11,191,992 B1 * 12/2021 Grace A63B 21/072

(21) Appl. No.: **29/808,070**
(22) Filed: **Sep. 16, 2021**
(51) **LOC (14) Cl.** **21-02**
(52) **U.S. Cl.**
USPC **D21/682**
(58) **Field of Classification Search**
USPC D21/662, 678, 679, 680, 682, 686, 694,
D21/681, 684; D8/331; D12/175, 202,
D12/204, 207, 604
CPC A63B 21/0601; A63B 21/0724; A63B
21/0728; A63B 21/4035; A63H 33/18
See application file for complete search history.

FOREIGN PATENT DOCUMENTS

GB 3018436 * 11/2004

OTHER PUBLICATIONS

PU Impregnated Cast Iron Weight Plates Octagonal Design. Online, published date Jul. 4, 2020. Retrieved on Nov. 14, 2022 from URL: <https://www.amazon.co.uk/Impregnated-Octagonal-Comfortable-Suitable-Training/dp/B08CC8JXJK>.
Fevilady Weight Plates Ergonomic Design Grip Plate. Online, published date Aug. 10, 2020. Retrieved on Nov. 14, 2022 from URL: <https://www.amazon.com/Fevilady-Ergonomic-Fitness-Barbell-Dumbbell/dp/B08FJ2KNDZ?th=1>.

* cited by examiner

Primary Examiner — Omeed Agilee
Assistant Examiner — David Truong
(74) *Attorney, Agent, or Firm* — McMillan LLP

(56) **References Cited**

U.S. PATENT DOCUMENTS

D302,195 S * 7/1989 Orak D21/682
D355,007 S * 1/1995 Rojas D21/681
5,692,996 A * 12/1997 Widerman A63B 21/072
482/106
D433,721 S * 11/2000 Rojas D21/680
6,319,176 B1 * 11/2001 Landfair A63B 21/4017
482/106
D562,919 S * 2/2008 Hillson D21/680
D566,208 S * 4/2008 Alessandri D21/681
D566,209 S * 4/2008 Alessandri D21/681
D568,950 S * 5/2008 Yewer, Jr. D21/680
D639,874 S * 6/2011 Hillson D21/680
D643,075 S * 8/2011 Childs D21/680
D651,671 S * 1/2012 Ross D21/680
D662,558 S * 6/2012 Lovegrove D21/680
D722,348 S * 2/2015 Kessler D21/680
D749,177 S * 2/2016 Childs D21/682

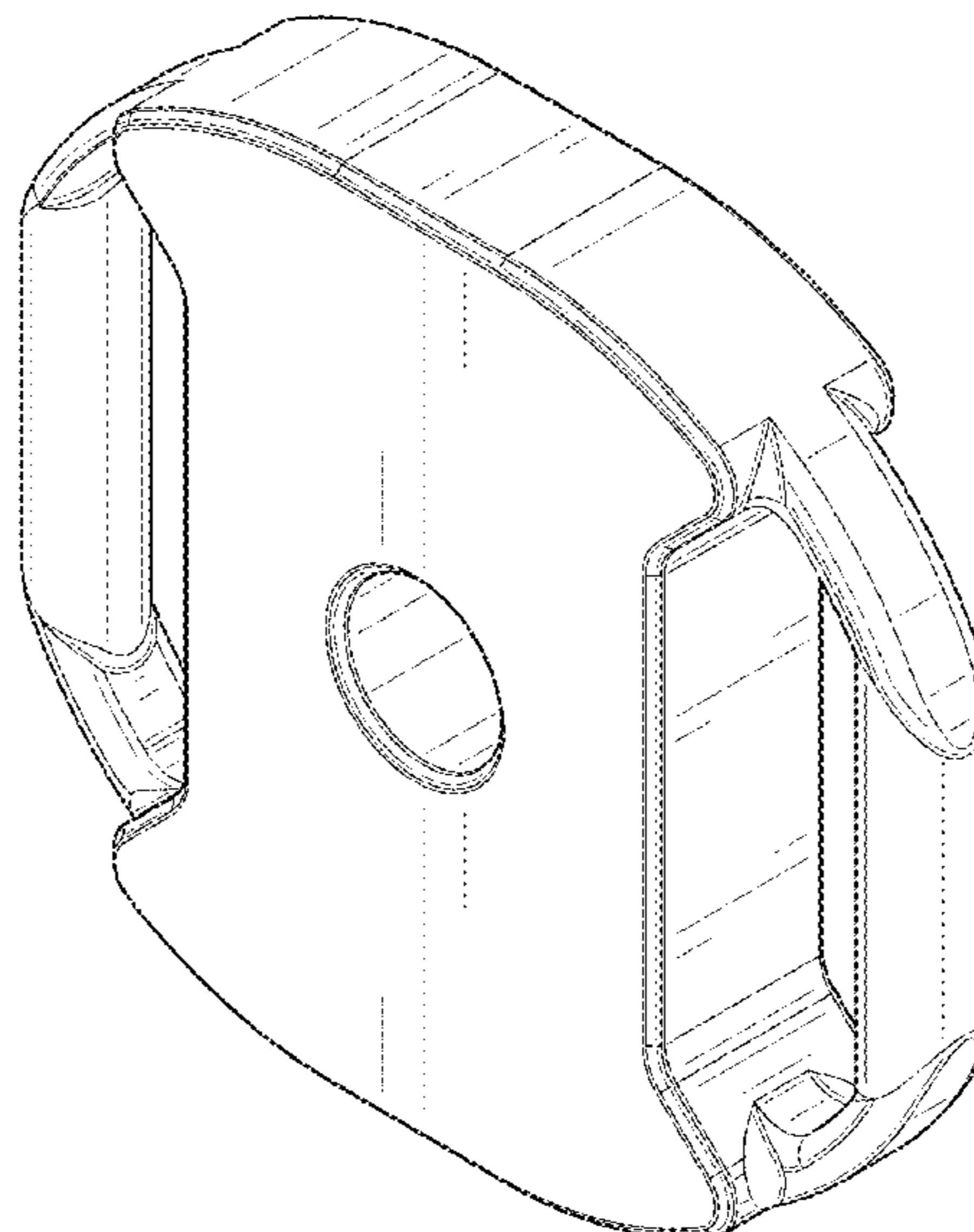
(57) **CLAIM**

The ornamental design for a gripped weight plate, as shown.

DESCRIPTION

FIG. 1 is a front perspective view of a gripped weight plate showing my new design.
FIG. 2 is a front view thereof.
FIG. 3 is a rear view thereof.
FIG. 4 is a right side view thereof.
FIG. 5 is a left side view thereof.
FIG. 6 is a top view thereof; and,
FIG. 7 is a bottom view thereof.

1 Claim, 5 Drawing Sheets



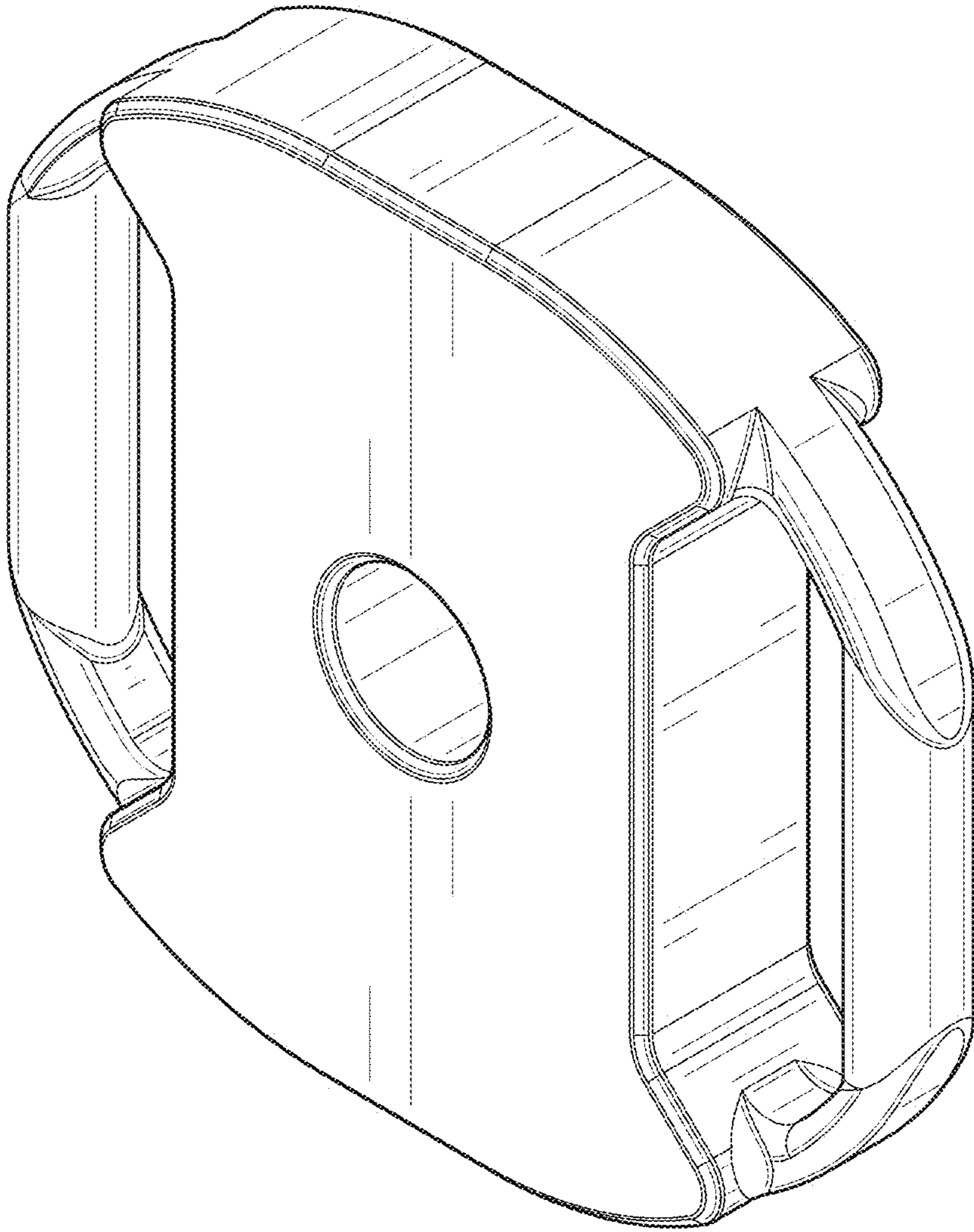


FIG. 1

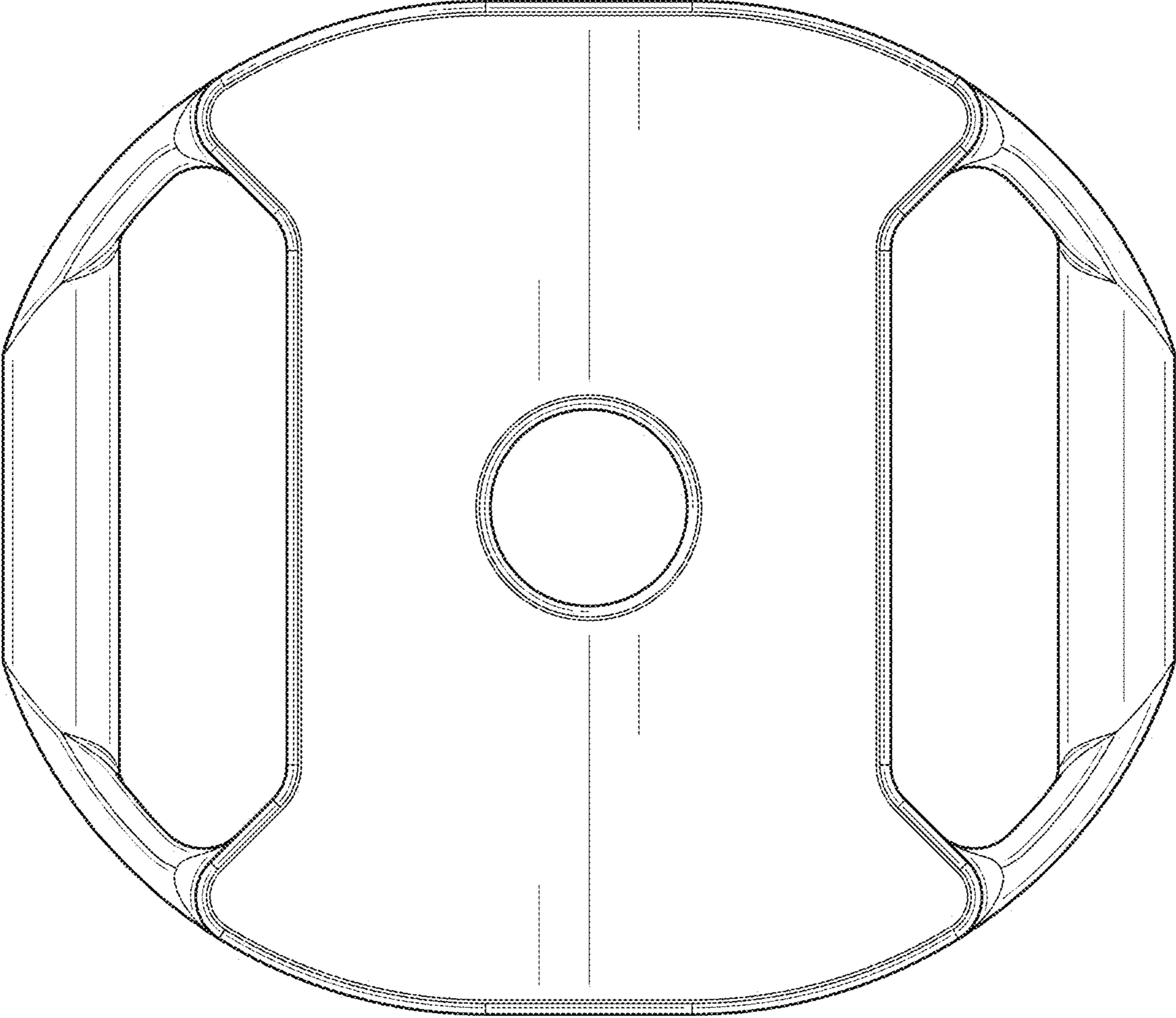


FIG. 2

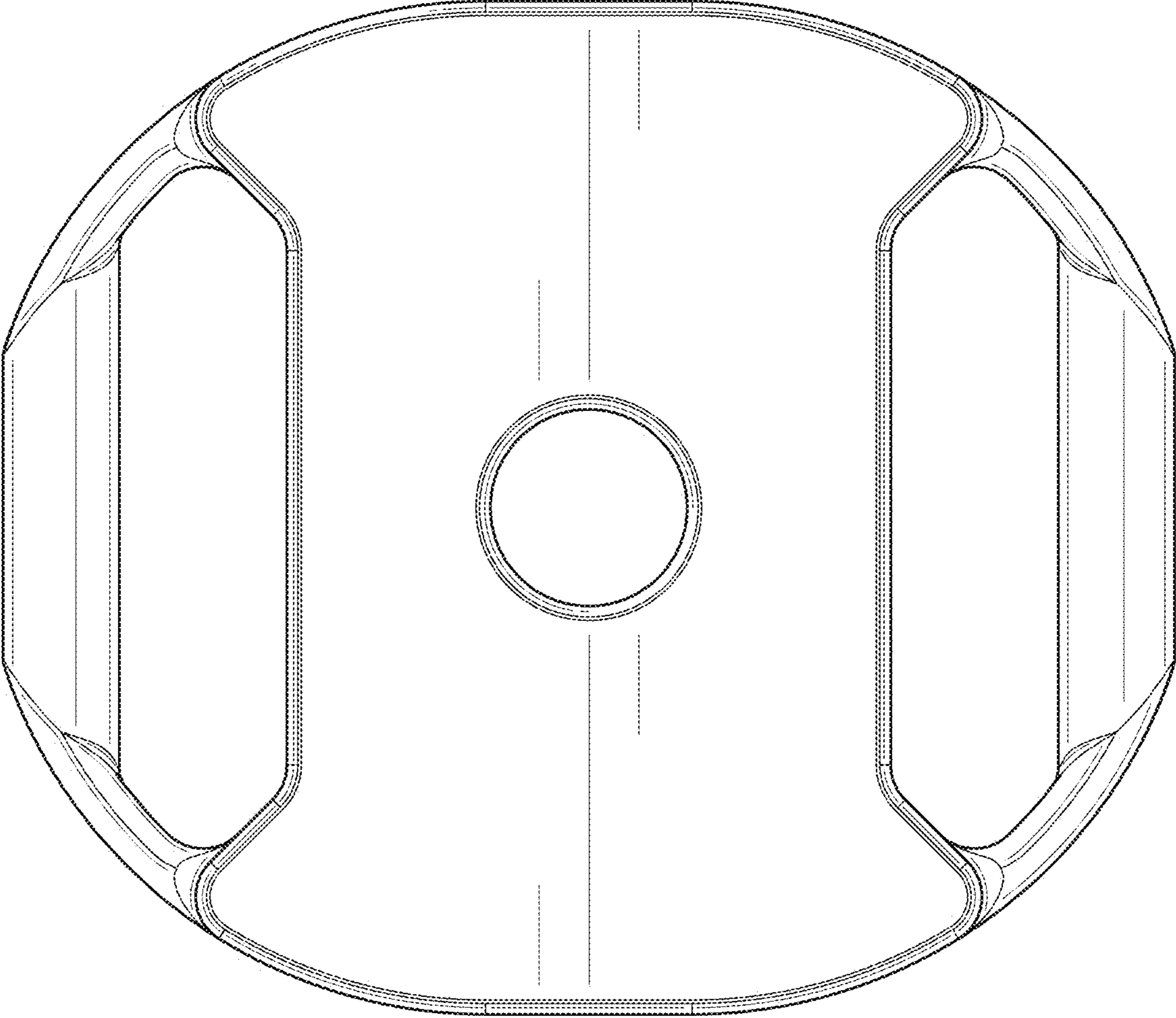


FIG. 3

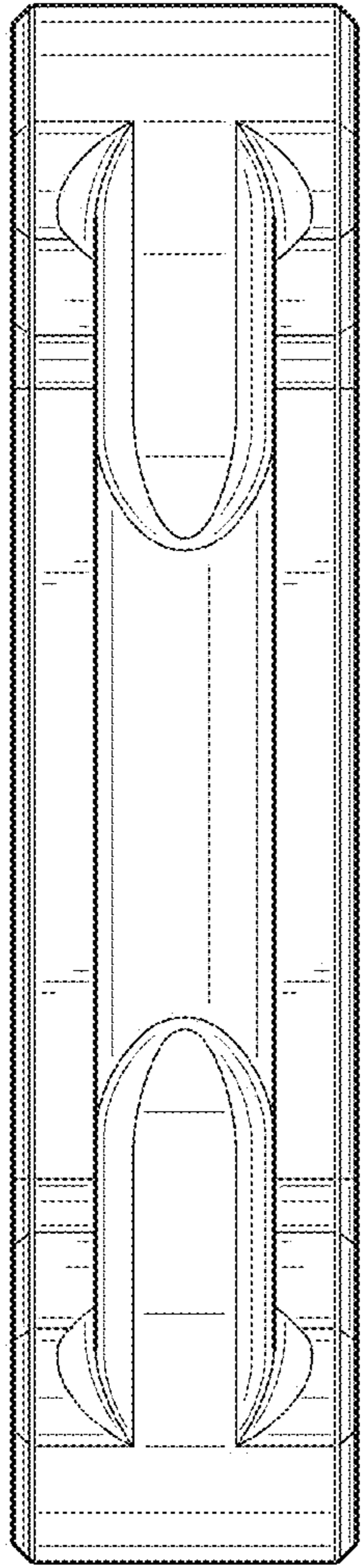


FIG. 4

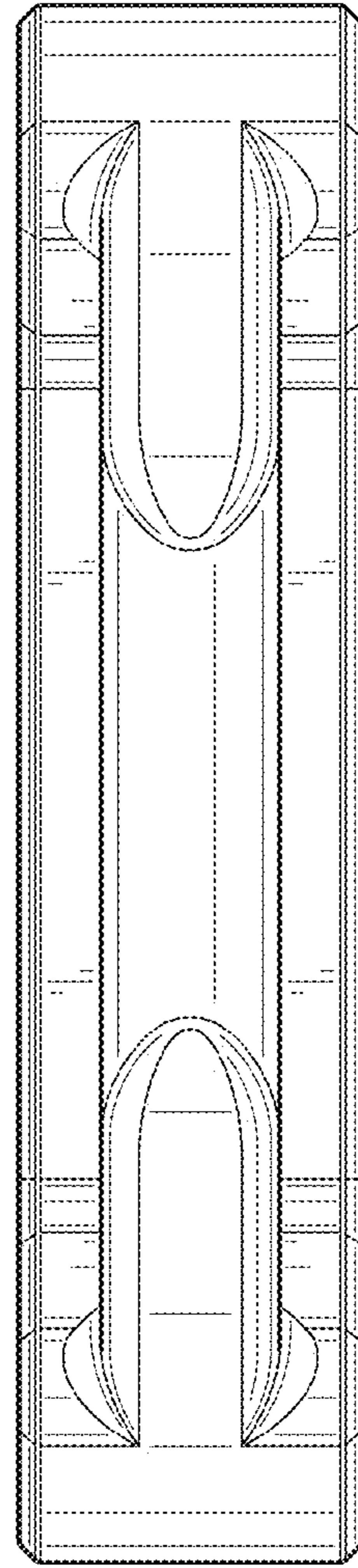


FIG. 5

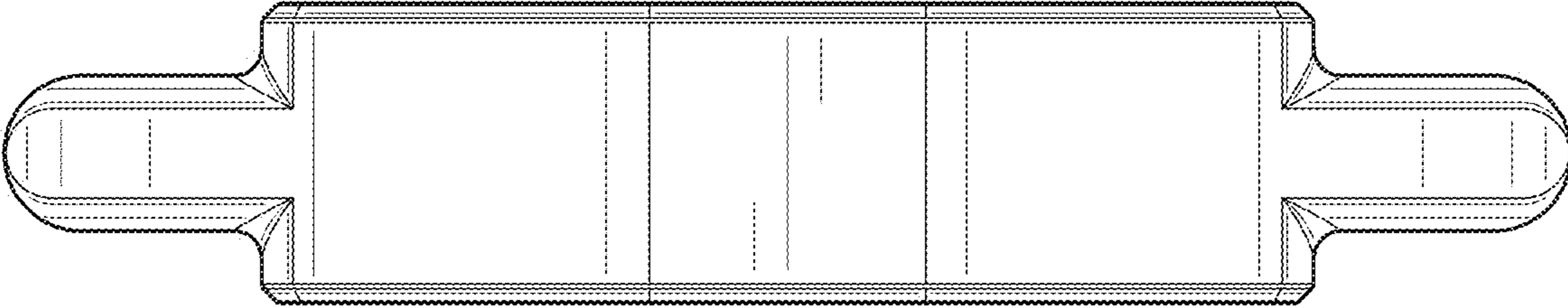


FIG. 6

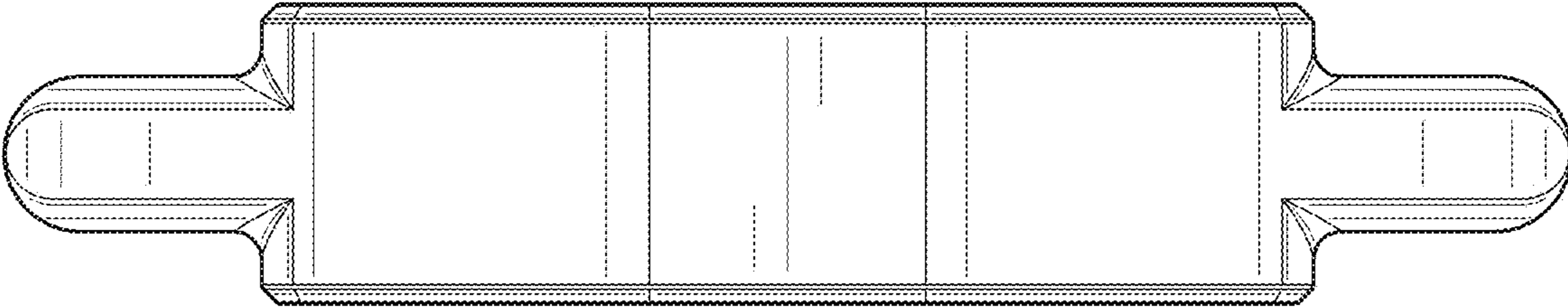


FIG. 7