



US00D982683S

(12) **United States Design Patent**  
**Lin**

(10) **Patent No.:** **US D982,683 S**  
(45) **Date of Patent:** **\*\* Apr. 4, 2023**

(54) **NEOPRENE COATED DUMBBELL**

(71) Applicant: **Shenzhen Feiduba Technology Co., Ltd., Shenzhen (CN)**

(72) Inventor: **Xueping Lin, Shenzhen (CN)**

(\*\*) Term: **15 Years**

(21) Appl. No.: **29/810,987**

(22) Filed: **Oct. 11, 2021**

(51) **LOC (14) Cl.** ..... **21-02**

(52) **U.S. Cl.**  
USPC ..... **D21/681**

(58) **Field of Classification Search**  
USPC ..... D21/662, 680, 681, 682, 694  
CPC ..... A63B 21/072; A63B 21/0726; A63B 21/0724  
See application file for complete search history.

(56) **References Cited**

**U.S. PATENT DOCUMENTS**

- 1,630,467 A \* 5/1927 Bradstreet ..... A63B 21/00047  
482/148
- 3,617,056 A \* 11/1971 Herbold ..... A63B 21/00196  
446/233
- D269,950 S \* 8/1983 Walker ..... D9/668
- D297,962 S \* 10/1988 Wu ..... D21/682
- D337,522 S \* 7/1993 Kingsbury ..... D9/559
- D384,713 S \* 10/1997 Eckmann ..... D21/682
- 5,823,922 A \* 10/1998 Eckmann ..... A63B 21/4035  
482/44
- D409,266 S \* 5/1999 Rojas ..... D21/680
- D422,496 S \* 4/2000 Eckmann ..... D9/722
- D422,904 S \* 4/2000 Lepsius ..... D9/600
- 6,099,443 A \* 8/2000 Landfair ..... A63B 21/072  
482/107
- 6,120,420 A \* 9/2000 Pearson ..... A63B 21/072  
482/106
- 6,132,344 A \* 10/2000 Vanderbleek ..... A63B 21/072  
482/108

- D433,468 S \* 11/2000 Rojas ..... D21/680
- 6,142,918 A \* 11/2000 Liu ..... A63B 21/072  
482/108
- 6,224,520 B1 \* 5/2001 Hsu ..... A63B 21/075  
482/107
- D444,516 S \* 7/2001 Pearson ..... D21/681
- D456,705 S \* 5/2002 Vijn ..... D9/668
- D474,522 S \* 5/2003 Monroe ..... D21/678
- D504,923 S \* 5/2005 Harms ..... D21/681
- 6,939,276 B2 \* 9/2005 Gates ..... A63B 21/0606  
482/106
- 7,001,310 B1 \* 2/2006 Brice ..... A63B 21/075  
482/106
- D525,397 S \* 7/2006 Wang ..... A01K 15/025  
D21/681
- D545,927 S \* 7/2007 Lien ..... D21/681

(Continued)

**OTHER PUBLICATIONS**

Fitness Republic by Fitness Republic Store dated Sep. 21, 2010.  
Found online [Jun. 28, 2022] <https://tinyurl.com/y6b3jhw>.\*

(Continued)

*Primary Examiner* — Ryan Harvey

(74) *Attorney, Agent, or Firm* — Rumit Ranjit Kanakia

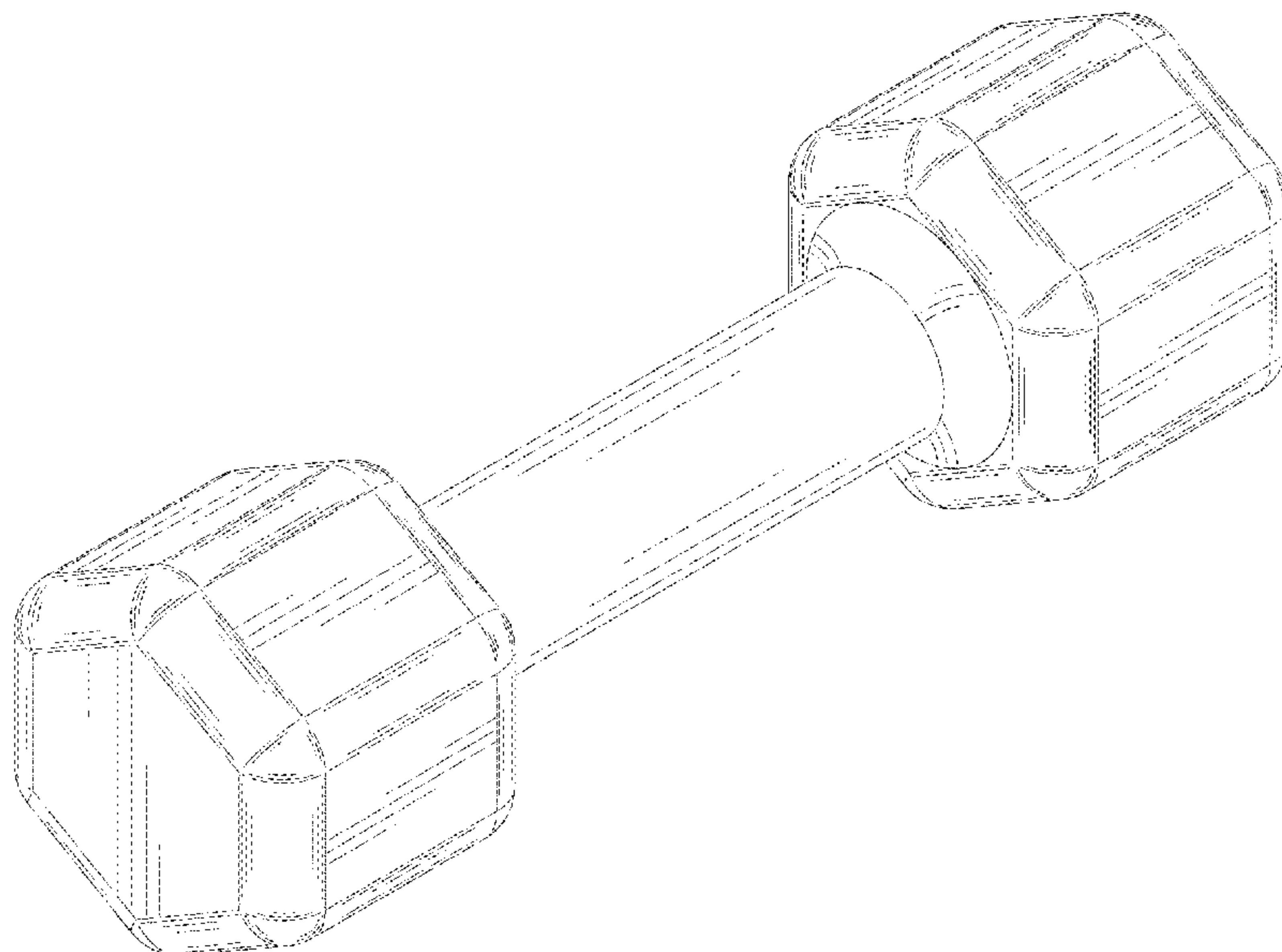
(57) **CLAIM**

I claim the ornamental design for a neoprene coated dumbbell, as shown and described.

**DESCRIPTION**

FIG. 1 is a Perspective view of a neoprene coated dumbbell showing my new design;  
FIG. 2 is a Front view thereof;  
FIG. 3 is a Back view thereof;  
FIG. 4 is a Left-side view thereof;  
FIG. 5 is a Right-side view thereof;  
FIG. 6 is a Top view thereof; and,  
FIG. 7 is a Bottom view thereof.

**1 Claim, 7 Drawing Sheets**



(56)

References Cited

U.S. PATENT DOCUMENTS

D546,908 S \* 7/2007 Lien ..... D21/681  
D567,311 S \* 4/2008 Hillson ..... D21/681  
D574,450 S \* 8/2008 Januszek ..... A63B 71/0036  
D21/681  
D580,271 S \* 11/2008 Tsai ..... D9/542  
D597,612 S \* 8/2009 Lien ..... D21/681  
D597,613 S \* 8/2009 Hillson ..... D21/681  
D615,605 S \* 5/2010 Frasco ..... D21/682  
D624,614 S \* 9/2010 Lien ..... D21/681  
D627,234 S \* 11/2010 Hanak ..... D9/668  
D628,248 S \* 11/2010 Januszek ..... D21/681  
D628,250 S \* 11/2010 Januszek ..... D21/681  
D635,622 S \* 4/2011 Martin ..... D21/681  
D650,289 S \* 12/2011 Bosiljevac ..... D9/668  
D692,970 S \* 11/2013 Lien ..... D21/681  
D708,479 S \* 7/2014 Kramer ..... D7/901  
D708,480 S \* 7/2014 Kramer ..... D7/901  
D710,241 S \* 8/2014 Vaughan ..... D11/81  
D731,007 S \* 6/2015 Davies, III ..... D21/680  
D732,613 S \* 6/2015 Davies, III ..... D21/680  
D732,614 S \* 6/2015 Davies, III ..... D21/680  
D735,278 S \* 7/2015 Davies, III ..... D21/681  
D736,868 S \* 8/2015 Lien ..... D21/681  
D739,482 S \* 9/2015 Lien ..... D21/681  
D740,379 S \* 10/2015 Lien ..... D21/681  
D751,941 S \* 3/2016 Vaughan ..... D11/81  
D788,862 S 6/2017 Dierickx  
D802,064 S \* 11/2017 Hillson ..... D21/681  
D857,811 S 8/2019 Hendrickson et al.  
10,441,838 B1 \* 10/2019 Unger ..... A63B 21/0726  
10,610,760 B2 \* 4/2020 Nowlan ..... A63B 71/0036  
D885,864 S \* 6/2020 Garcia ..... D8/331  
D888,849 S 6/2020 Bowers

D896,324 S 9/2020 Yu  
D901,609 S 11/2020 Schough  
D909,176 S \* 2/2021 Garcia ..... D21/694  
D930,091 S 9/2021 Wang  
2002/0128127 A1 \* 9/2002 Chen ..... A63B 21/0726  
482/106  
2002/0190177 A1 \* 12/2002 Nielsen ..... A63B 21/4009  
248/339  
2004/0162196 A1 \* 8/2004 deGroot ..... A63B 21/0728  
482/106  
2005/0065002 A1 \* 3/2005 Su ..... A63B 21/0602  
482/106  
2009/0239719 A1 \* 9/2009 Patti ..... A63B 21/0726  
482/107  
2012/0040805 A1 \* 2/2012 Chen ..... A63B 21/0726  
482/110  
2014/0005013 A1 \* 1/2014 Kassemi ..... A63B 21/4035  
482/108  
2019/0126124 A1 \* 5/2019 Vigiano ..... A63B 21/4035  
2020/0147442 A1 \* 5/2020 Simonson ..... A63B 21/4043  
2020/0197740 A1 \* 6/2020 Liu ..... B23P 15/00

OTHER PUBLICATIONS

Fitness Alley by Fitness Alley Store dated Feb. 26, 2018. Found online [Jun. 28, 2022] <https://tinyurl.com/bdh8crwp>.  
Cap Neoprene by Cap Store dated Sep. 28, 2015. Found online [Jun. 28, 2022] <https://tinyurl.com/2pxe2e73>.  
WtouXi by WtouXi dated Jan. 14, 2021. Found online [Oct. 18, 2022] [https://www.amazon.com/WtouXi-Dumbbell-Neoprene-Weights-Dumbbells/dp/B08VFVYK1Z/ref=cm\\_cr\\_ar\\_p\\_d\\_product\\_top?ie=UTF8](https://www.amazon.com/WtouXi-Dumbbell-Neoprene-Weights-Dumbbells/dp/B08VFVYK1Z/ref=cm_cr_ar_p_d_product_top?ie=UTF8).

\* cited by examiner

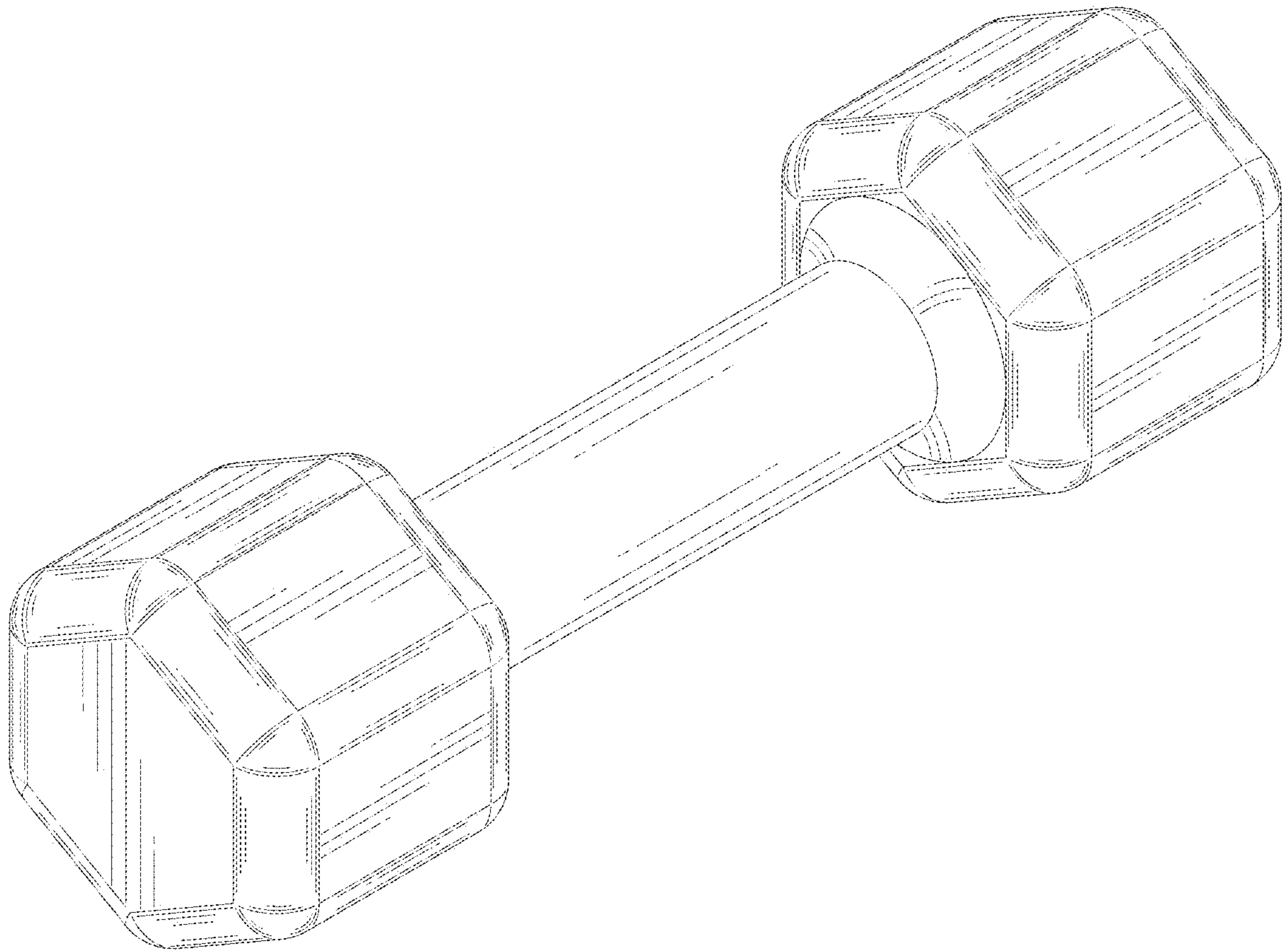


FIG. 1

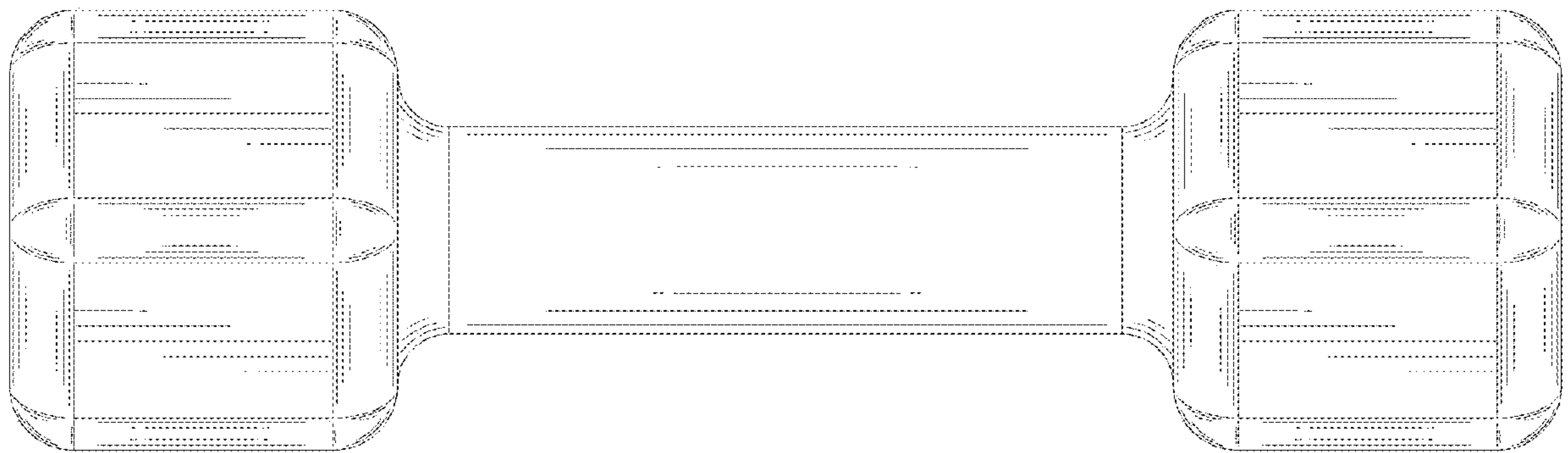


FIG.2





FIG.3

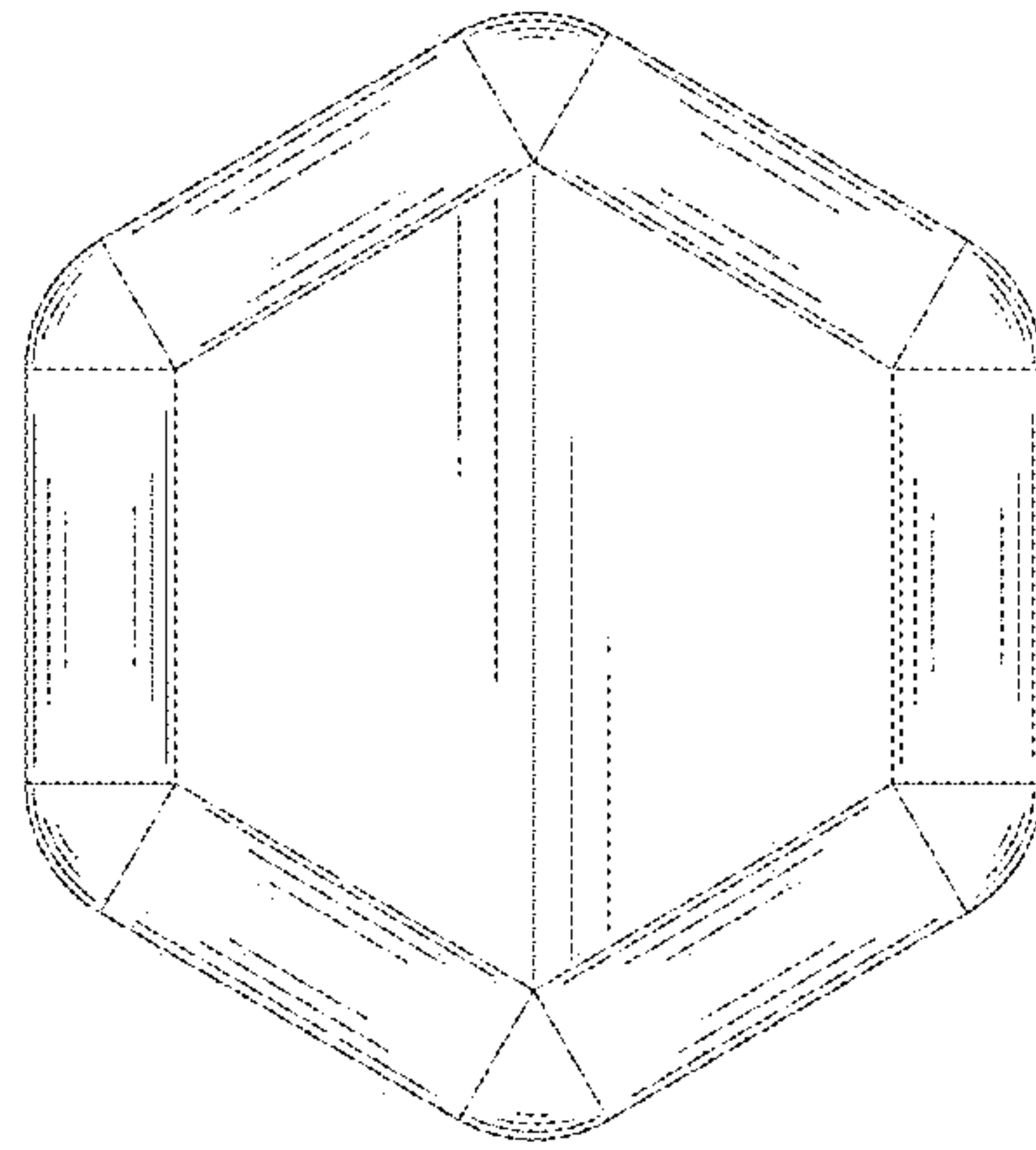


FIG.4

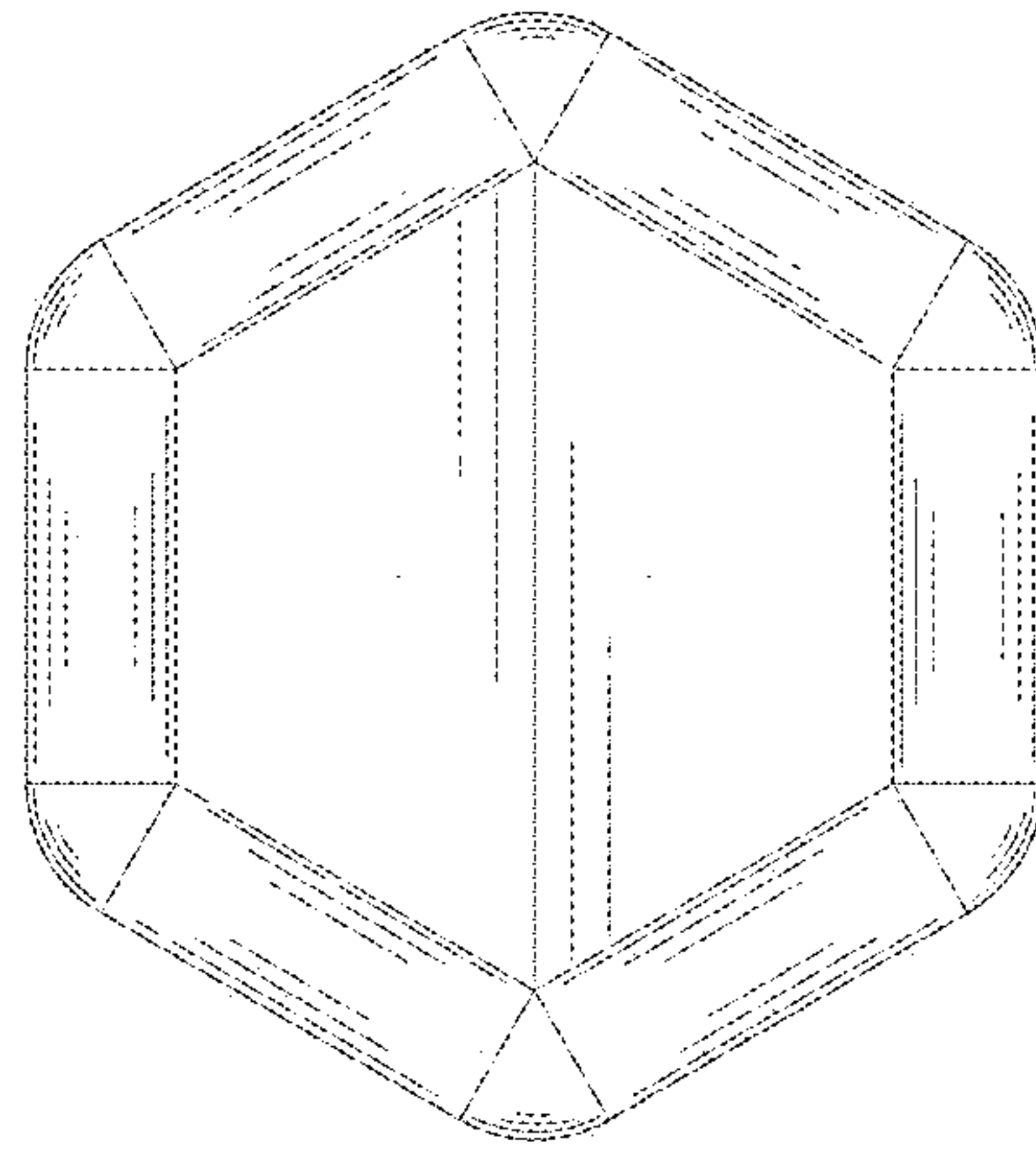


FIG.5

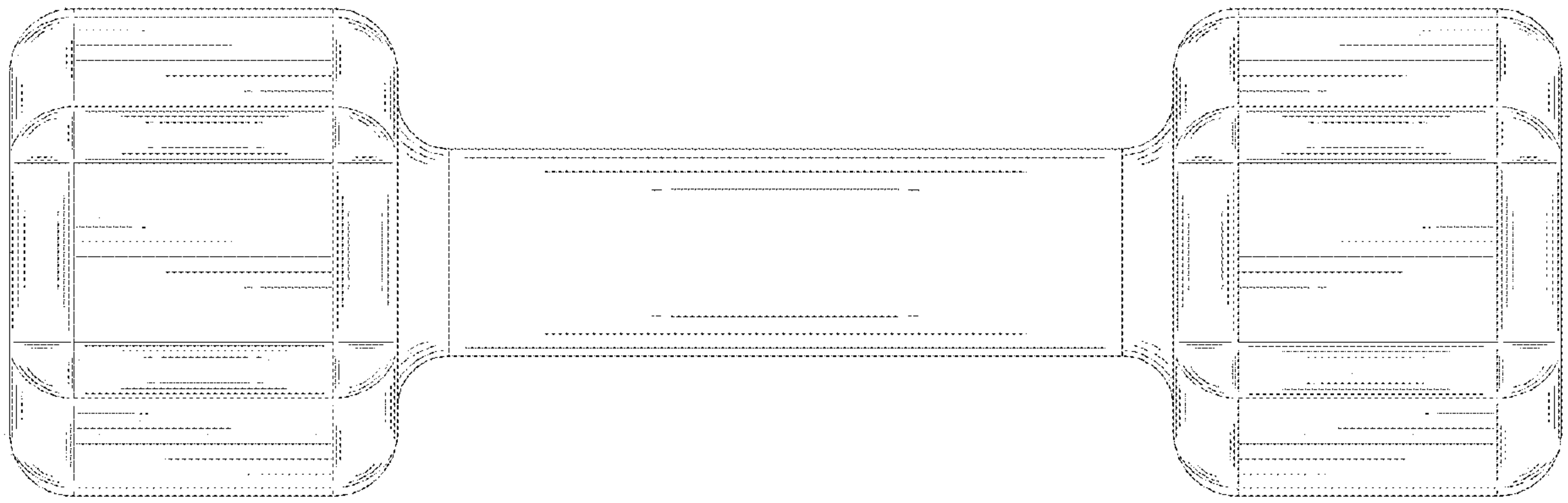


FIG.6



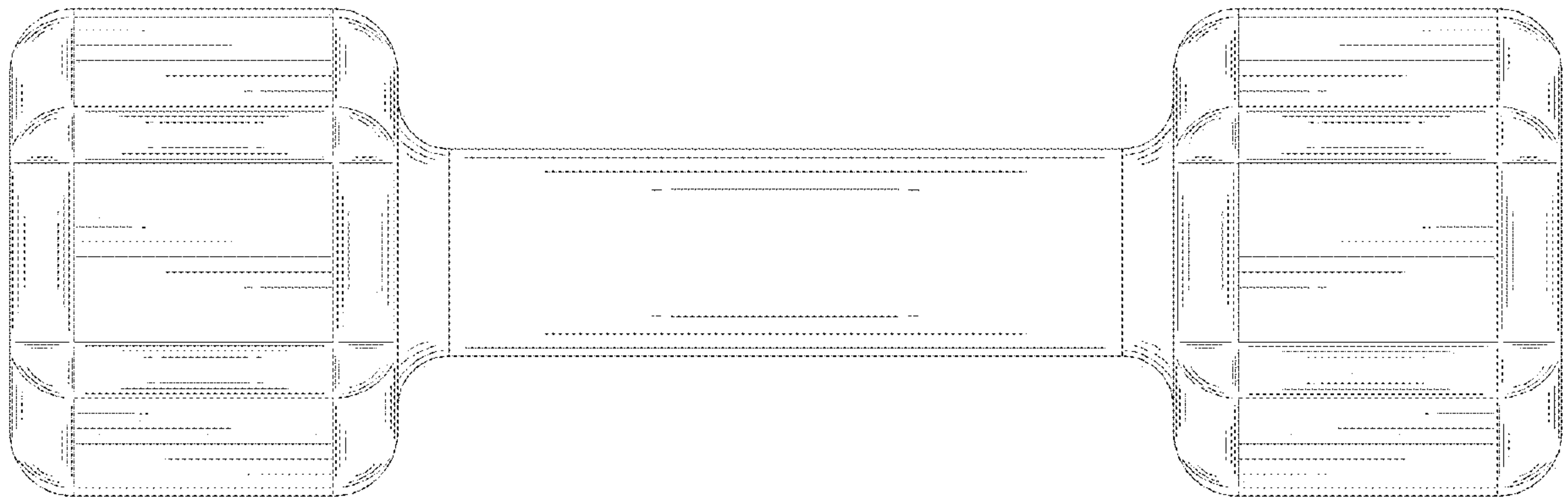


FIG. 7