



US00D982682S

(12) **United States Design Patent**
Chu

(10) **Patent No.:** **US D982,682 S**

(45) **Date of Patent:** **** Apr. 4, 2023**

(54) **BARBELL WITH THREE-AXIS ROTATABLE HANDLES**

(71) Applicant: **Daniel Bing-Leung Chu**, Richmond (CA)

(72) Inventor: **Daniel Bing-Leung Chu**, Richmond (CA)

(73) Assignee: **Daniel Bing-Leung Chu**, Richmond (CA)

(**) Term: **15 Years**

(21) Appl. No.: **29/714,200**

(22) Filed: **Nov. 21, 2019**

(51) **LOC (14) Cl.** **21-02**

(52) **U.S. Cl.**
USPC **D21/679**

(58) **Field of Classification Search**
USPC D21/687, 686, 669, 673, 679, 690, 691, D21/692, 694, 676, 674, 670, 663, 662, D21/423, 695, 682, 677, 688, 683, 684, D21/685, 665, 839, 470, 386, 801, 400, D21/675; D20/21; D7/682; D17/22; D30/160; D8/354, 363, 367, 373, 376
See application file for complete search history.

(56) **References Cited**

U.S. PATENT DOCUMENTS

- 5,269,737 A * 12/1993 Sobotka A63B 21/0552 482/123
- 5,836,858 A * 11/1998 Sharff A63B 21/0728 482/106
- 6,663,542 B1 * 12/2003 Trabbic A63B 21/0724 482/106

- D667,901 S * 9/2012 Garcia Chavez D21/679
- D685,865 S * 7/2013 Kuhn D21/679
- D686,286 S * 7/2013 Orakwusi D21/679
- 8,808,147 B2 * 8/2014 Gillespie A63B 1/00 482/39
- D725,722 S * 3/2015 Conaway D21/679
- D731,008 S * 6/2015 Orakwusi D21/681
- D863,467 S * 10/2019 Weng D21/679
- D892,948 S * 8/2020 Huang D21/679
- D953,451 S * 5/2022 Foltz D21/679
- D954,161 S * 6/2022 Ameri D21/679
- 2020/0324161 A1 * 10/2020 Duffin A63B 21/4005

FOREIGN PATENT DOCUMENTS

- GB 2297273 A * 7/1996 A63B 23/12
- JP 2007301073 A * 11/2007

* cited by examiner

Primary Examiner — Khawaja Anwar

Assistant Examiner — Julice Seung Eun Oum

(57) **CLAIM**

The ornamental design for a barbell with three-axis rotatable handles, as shown and described.

DESCRIPTION

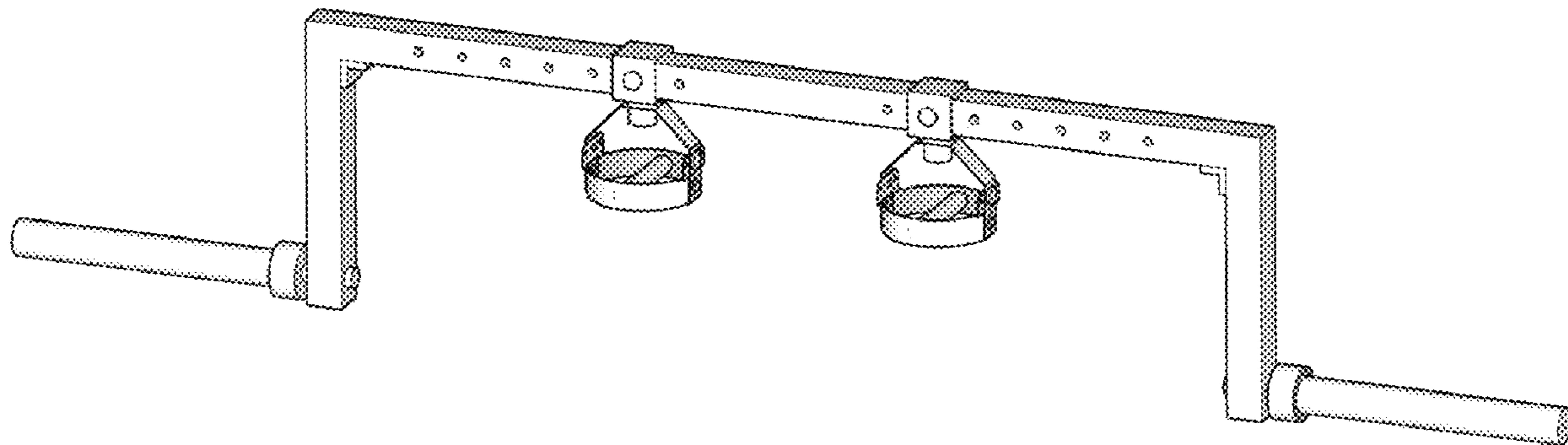
FIG. 1: Is a perspective view of the barbell with three-axis rotatable handles showing my new design.

FIG. 2: Is a top view of the barbell with three-axis rotatable handles thereof;

FIG. 3: Is a front view of the barbell with three-axis rotatable handles thereof; and,

FIG. 4: Is a side view of the barbell with three-axis rotatable handles.

1 Claim, 1 Drawing Sheet



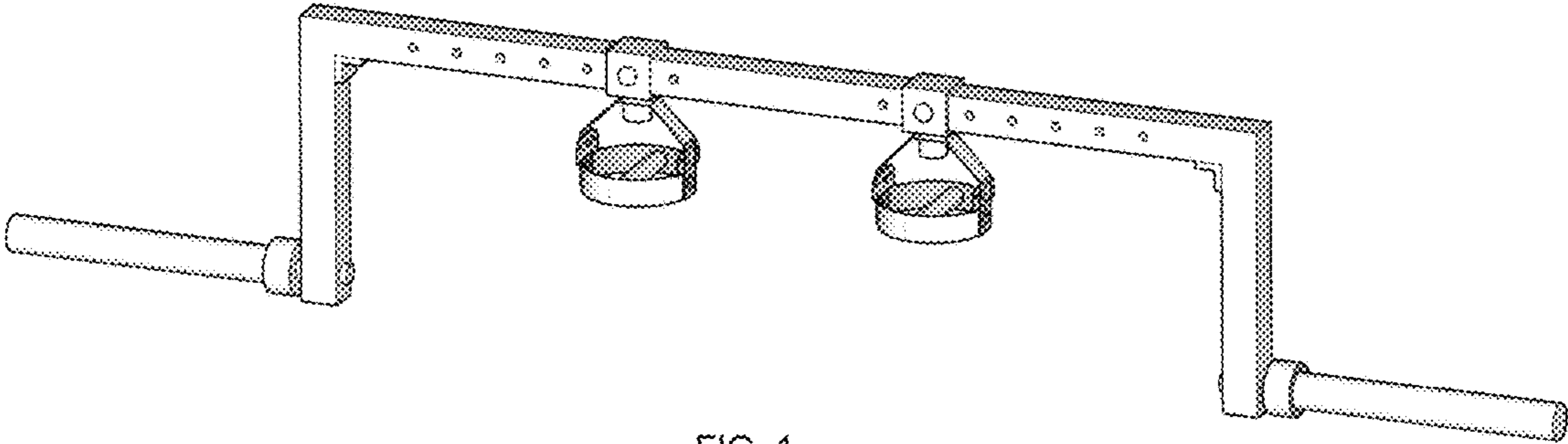


FIG. 1

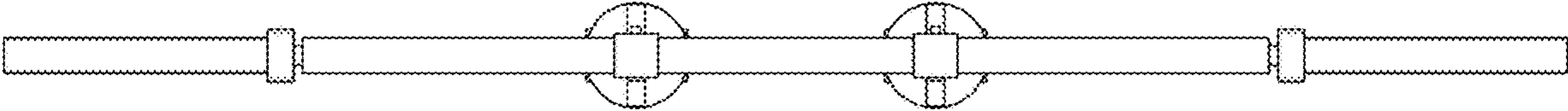


FIG. 2

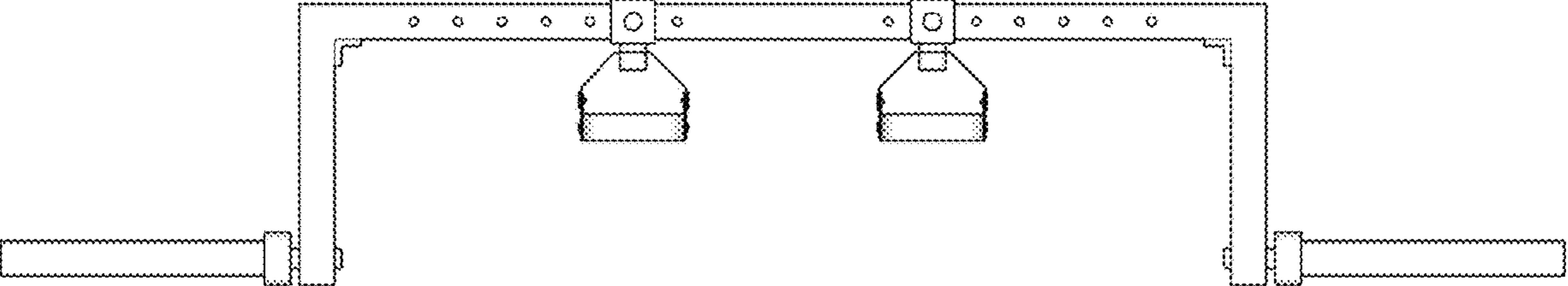


FIG. 3

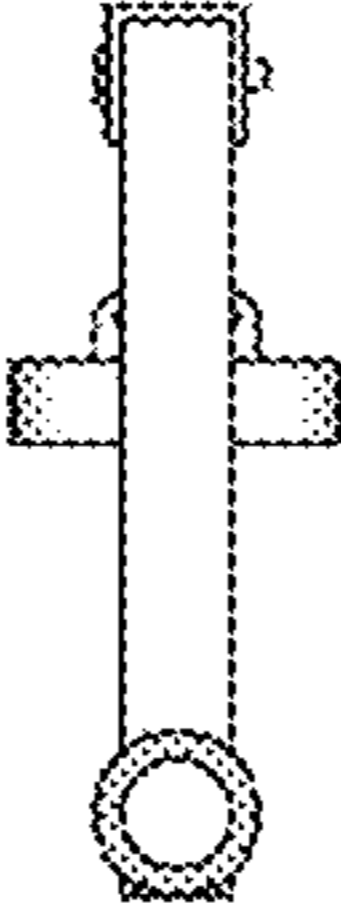


FIG. 4