



US00D982681S

(12) **United States Design Patent** (10) **Patent No.:** **US D982,681 S**  
**Bruhn et al.** (45) **Date of Patent:** **\*\* Apr. 4, 2023**

(54) **TRAINING APPARATUS**  
 (71) Applicant: **EPower Motors ApS**, Horsholm (DK)  
 (72) Inventors: **Flemming Bruhn**, Vedbæk (DK);  
**Anders Pederson Sekanina**, Vedbæk  
 (DK); **Anders Patrick Jørgensen**,  
 Humlebæk (DK)  
 (\*\*) Term: **15 Years**  
 (21) Appl. No.: **35/512,939**  
 (22) Filed: **May 13, 2021**  
 (80) **Hague Agreement Data**

Int. Filing Date: **May 13, 2021**  
 Int. Reg. No.: **DM/214280**  
 Int. Reg. Date: **May 13, 2021**  
 Int. Reg. Pub. Date: **Nov. 19, 2021**

(51) **LOC (14) Cl.** ..... **21-02**  
 (52) **U.S. Cl.**  
 USPC ..... **D21/676**  
 (58) **Field of Classification Search**  
 USPC ..... D21/673, 675, 676, 690, 694; 482/100,  
 482/134, 138, 142, 137, 97, 133  
 CPC . A63B 23/1218; A63B 23/12; A63B 23/1209;  
 A63B 23/0355; A63B 23/03533; A63B  
 23/03516; A63B 23/03508; A63B  
 2208/0228; A63B 21/159; A63B 21/0615;  
 A63B 23/0494; A63B 23/03541; A63B  
 2208/0233; A63B 21/4047; A63B  
 21/4035; A63B 21/0628  
 See application file for complete search history.

(56) **References Cited**  
 U.S. PATENT DOCUMENTS

D262,810 S \* 1/1982 Lynn ..... D21/676  
 D284,297 S \* 6/1986 Mahnke ..... D21/676  
 D297,959 S \* 10/1988 Dyer ..... D21/676  
 D314,026 S \* 1/1991 Jennings ..... D21/676  
 D321,028 S \* 10/1991 Jones ..... D21/676

D321,389 S \* 11/1991 Jones ..... D21/676  
 D321,391 S \* 11/1991 Jones ..... D21/676  
 5,273,504 A \* 12/1993 Jones ..... A63B 23/1263  
 482/133  
 5,395,295 A \* 3/1995 Ish, III ..... A63B 21/4047  
 482/133  
 D425,153 S \* 5/2000 Grider ..... D21/676  
 D439,940 S \* 4/2001 Batca ..... D21/675  
 6,361,482 B1 \* 3/2002 Batca ..... A63B 23/0355  
 482/142  
 D477,040 S \* 7/2003 Conklin ..... D21/676  
 D512,113 S \* 11/2005 Carter ..... D21/675  
 D513,292 S \* 12/2005 Panatta ..... D21/676  
 D516,141 S \* 2/2006 Panatta ..... D21/676  
 D552,193 S \* 10/2007 Husted ..... D21/676  
 D606,135 S \* 12/2009 Grider ..... D21/673  
 D633,154 S \* 2/2011 Thulin ..... D21/676  
 D830,481 S \* 10/2018 Yang ..... D21/676

(Continued)

OTHER PUBLICATIONS

Biotenzor by biotenzor dated no date given. Found online [Jul. 20, 2022] <https://www.biotenzor.com/>\*

Primary Examiner — Ryan Harvey

(57) **CLAIM**

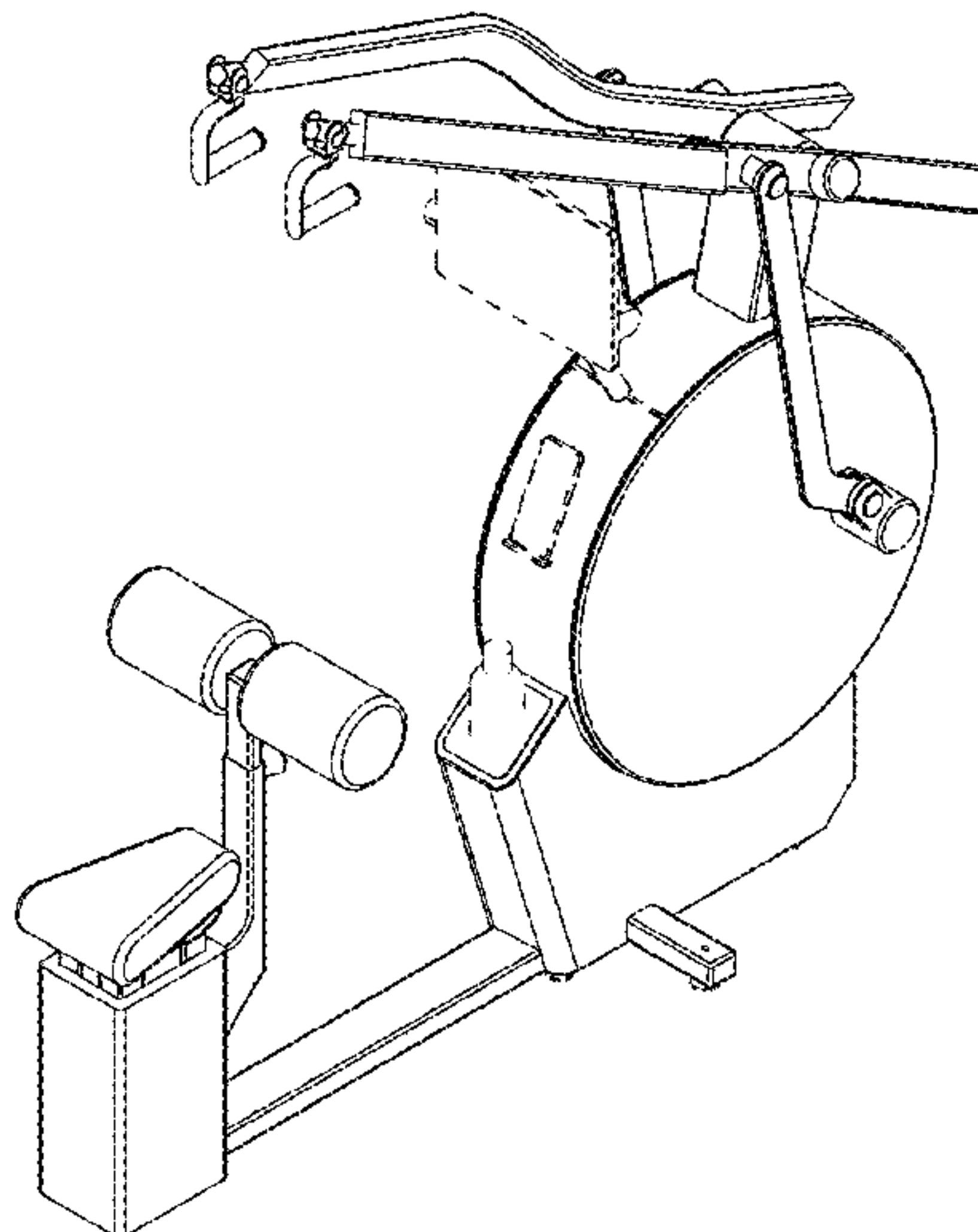
The ornamental design for a training apparatus as shown and described.

**DESCRIPTION**

1. Training apparatus
- 1.1 is a perspective view of a training apparatus.
- 1.2 is a front view thereof.
- 1.3 is a back view thereof.
- 1.4 is a right view thereof.
- 1.5 is a left view thereof.
- 1.6 is a top view thereof.
- 1.7 is a bottom view thereof.

The features shown in broken lines in the drawings depict environmental subject matter only, and form no part of the claimed designs.

**1 Claim, 7 Drawing Sheets**



(56)

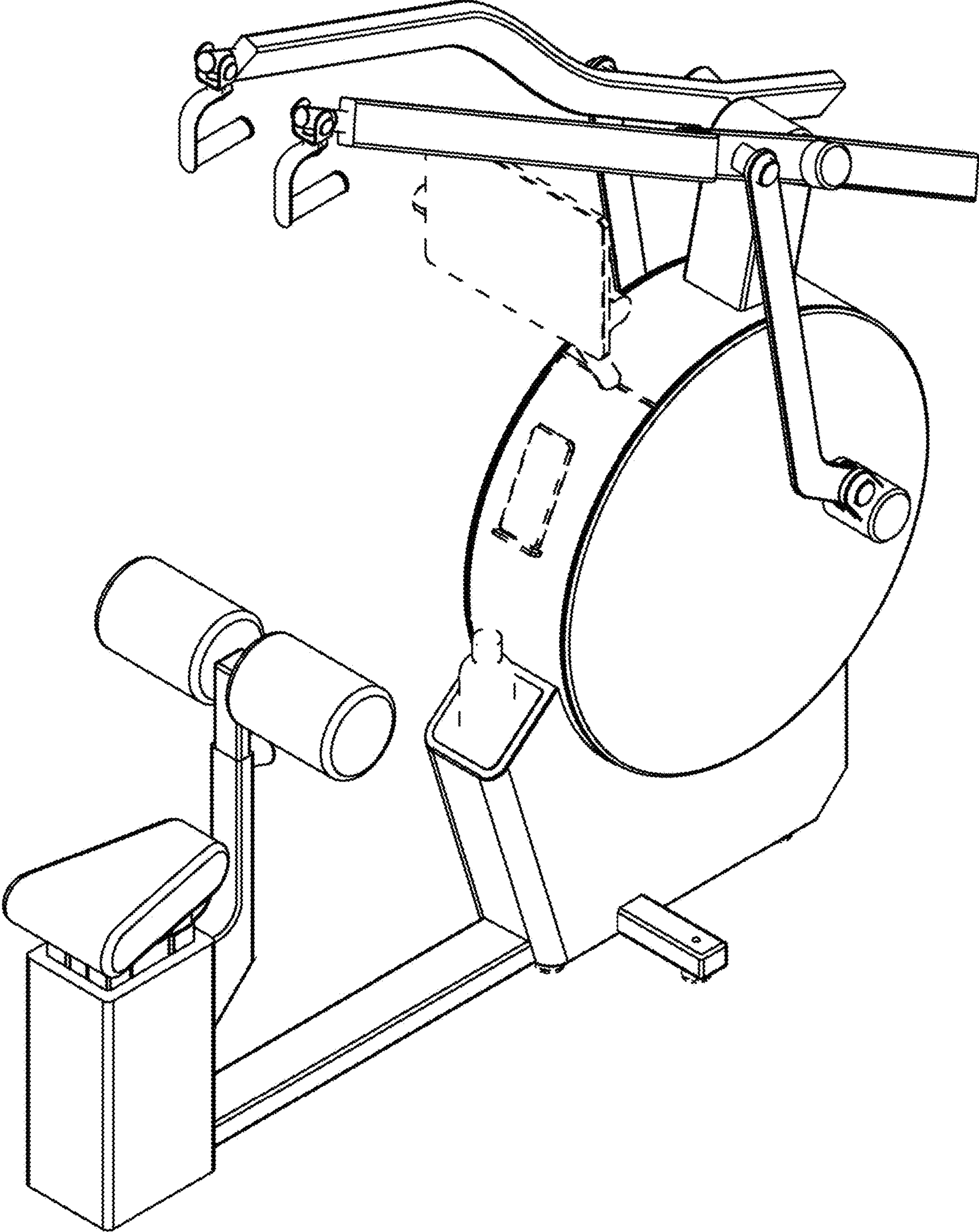
**References Cited**

U.S. PATENT DOCUMENTS

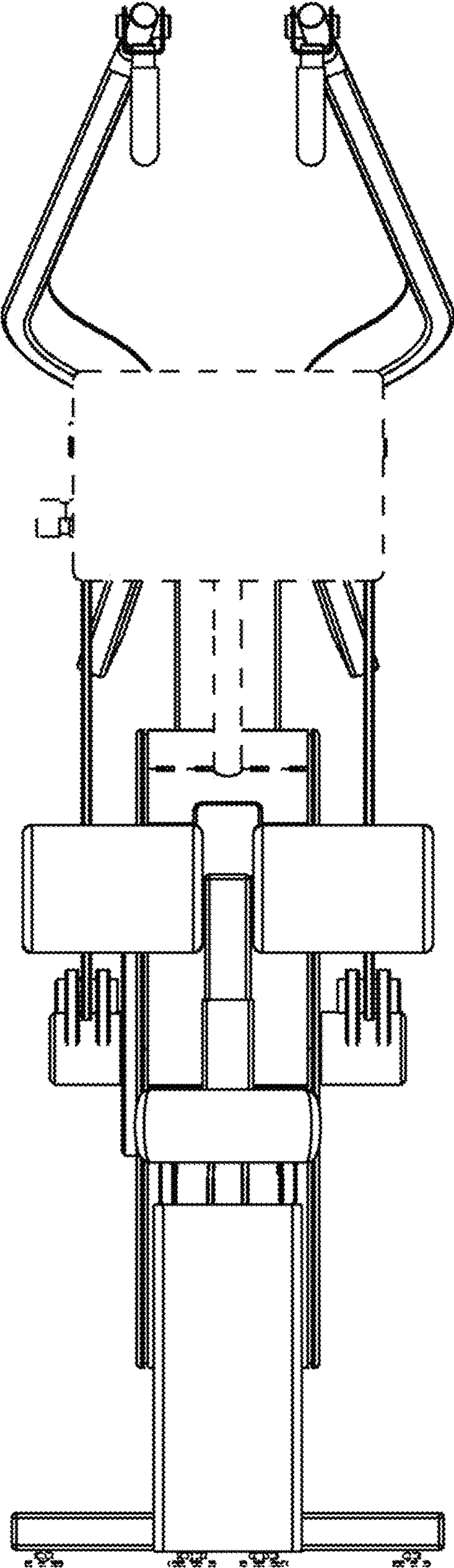
2002/0187882 A1\* 12/2002 Morris ..... A63B 21/4035  
482/92  
2019/0282851 A1\* 9/2019 Hockridge ..... A63B 23/1218

\* cited by examiner

1.1

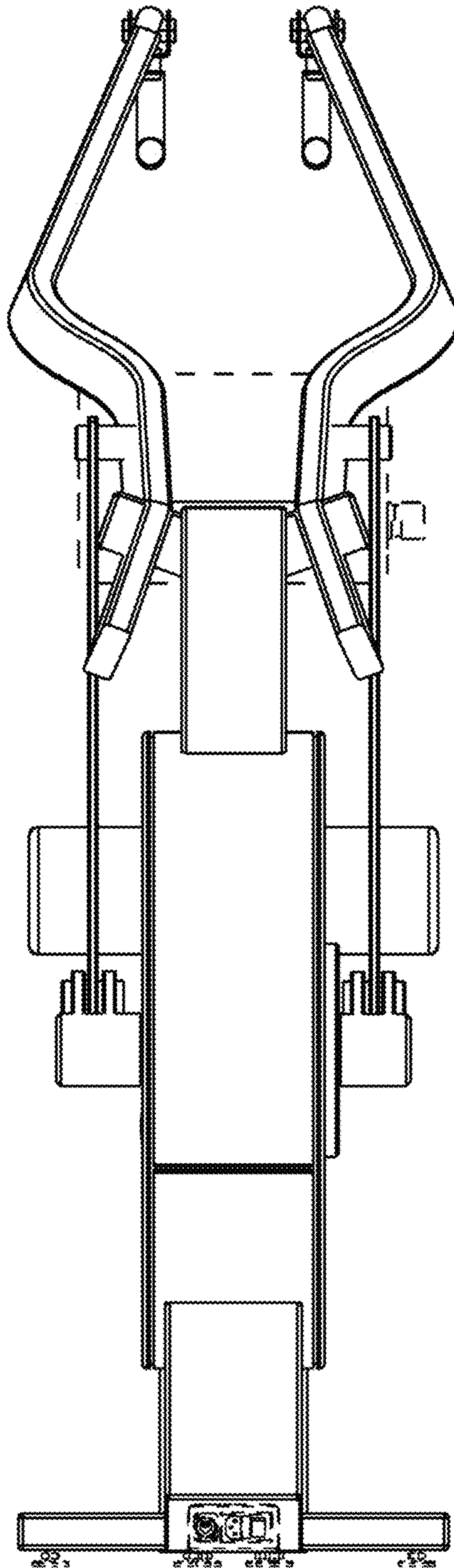


1.2

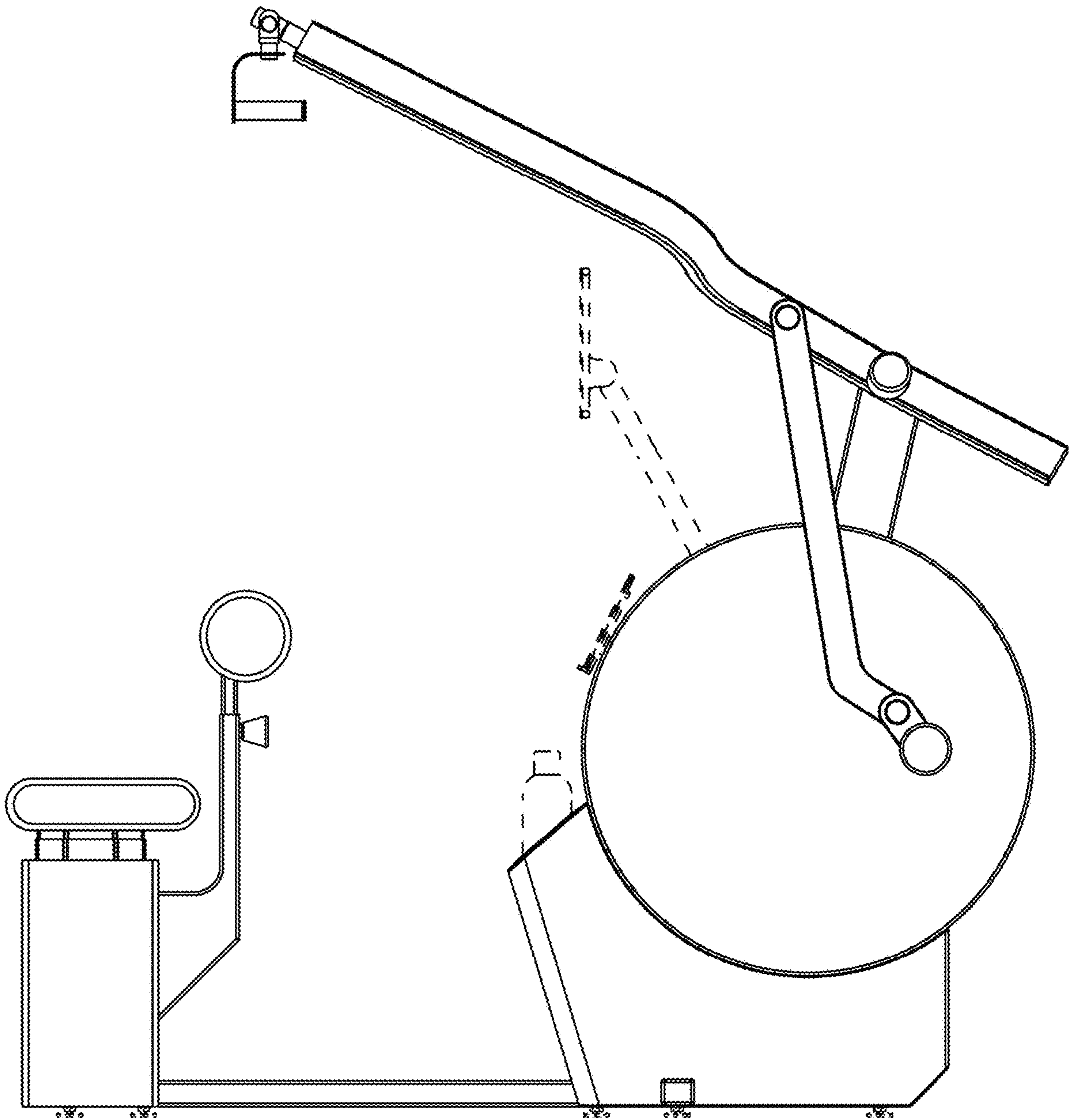




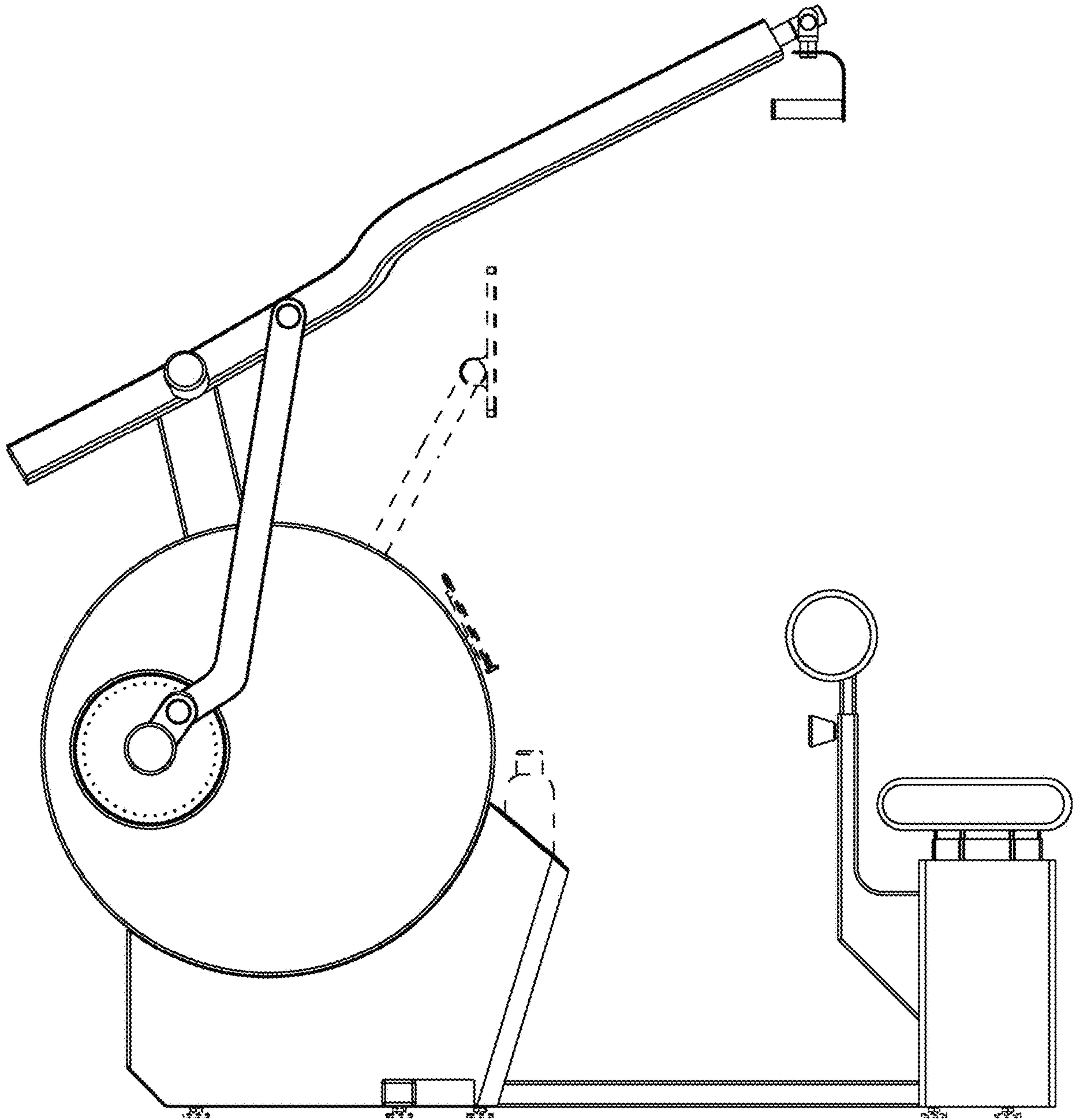
1.3



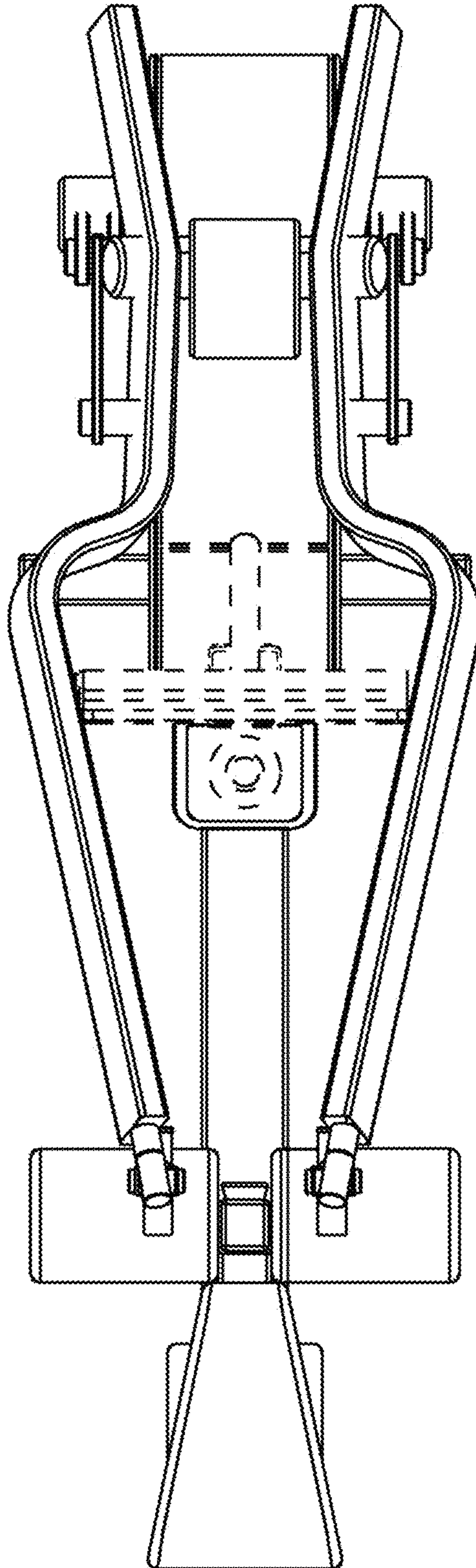
1.4



1.5



1.6





1.7

