



US00D982679S

(12) **United States Design Patent**  
**Deacon**

(10) **Patent No.:** **US D982,679 S**  
(45) **Date of Patent:** **\*\* Apr. 4, 2023**

(54) **PUSH-UP ASSISTANCE APPARATUS**

(71) Applicant: **Christopher Deacon**, Bradenton, FL  
(US)

(72) Inventor: **Christopher Deacon**, Bradenton, FL  
(US)

(\*\*) Term: **15 Years**

(21) Appl. No.: **29/881,387**

(22) Filed: **Dec. 30, 2022**

(51) **LOC (14) Cl.** ..... **21-02**

(52) **U.S. Cl.**  
USPC ..... **D21/662**

(58) **Field of Classification Search**  
USPC ..... D21/694, 662, 670, 671, 685, 686, 692,  
D21/684, 677, 687, 665, 682; D12/125  
See application file for complete search history.

(56) **References Cited**

**U.S. PATENT DOCUMENTS**

- 4,438,920 A \* 3/1984 Veillette ..... A63B 23/14  
482/93
- 4,717,147 A \* 1/1988 Rochelle ..... A63B 21/0724  
482/106
- D319,854 S \* 9/1991 Geary ..... D21/662
- D416,959 S \* 11/1999 Tumminia ..... D21/679
- D448,131 S \* 9/2001 Ver Haar ..... D32/54
- D451,564 S \* 12/2001 Dean ..... D21/684

(Continued)

**OTHER PUBLICATIONS**

Hemeraphit, announced 2021 [online], [site visited Jan. 6, 2022].  
Available on the internet, URL:<https://www.amazon.com/HemeraPhit-Portable-Building-Slimming-Equipment/dp/B08XQHSQCC/ref> (Year: 2021).\*

(Continued)

*Primary Examiner* — Khawaja Anwar

*Assistant Examiner* — Julice Seung Eun Oum

(74) *Attorney, Agent, or Firm* — Bullock Law; Stephen Bullock

(57) **CLAIM**

The ornamental design for a push-up assistance apparatus, as shown and described.

**DESCRIPTION**

FIG. 1 is a side perspective view of a push-up assistance apparatus according to an embodiment of the invention.

FIG. 2 is a side view of the push-up assistance apparatus illustrated in FIG. 1.

FIG. 3 is a side view of the push-up assistance apparatus illustrated in FIG. 1.

FIG. 4 is a front view of the push-up assistance apparatus illustrated in FIG. 1.

FIG. 5 is a back view of the push-up assistance apparatus illustrated in FIG. 1.

FIG. 6 is a top view of the push-up assistance apparatus illustrated in FIG. 1.

FIG. 7 is a bottom view of the push-up assistance apparatus illustrated in FIG. 1.

FIG. 8 is a side perspective view of a push-up assistance apparatus according to a second embodiment of the invention.

FIG. 9 is a side view of the push-up assistance apparatus illustrated in FIG. 8.

FIG. 10 is a side view of the push-up assistance apparatus illustrated in FIG. 8.

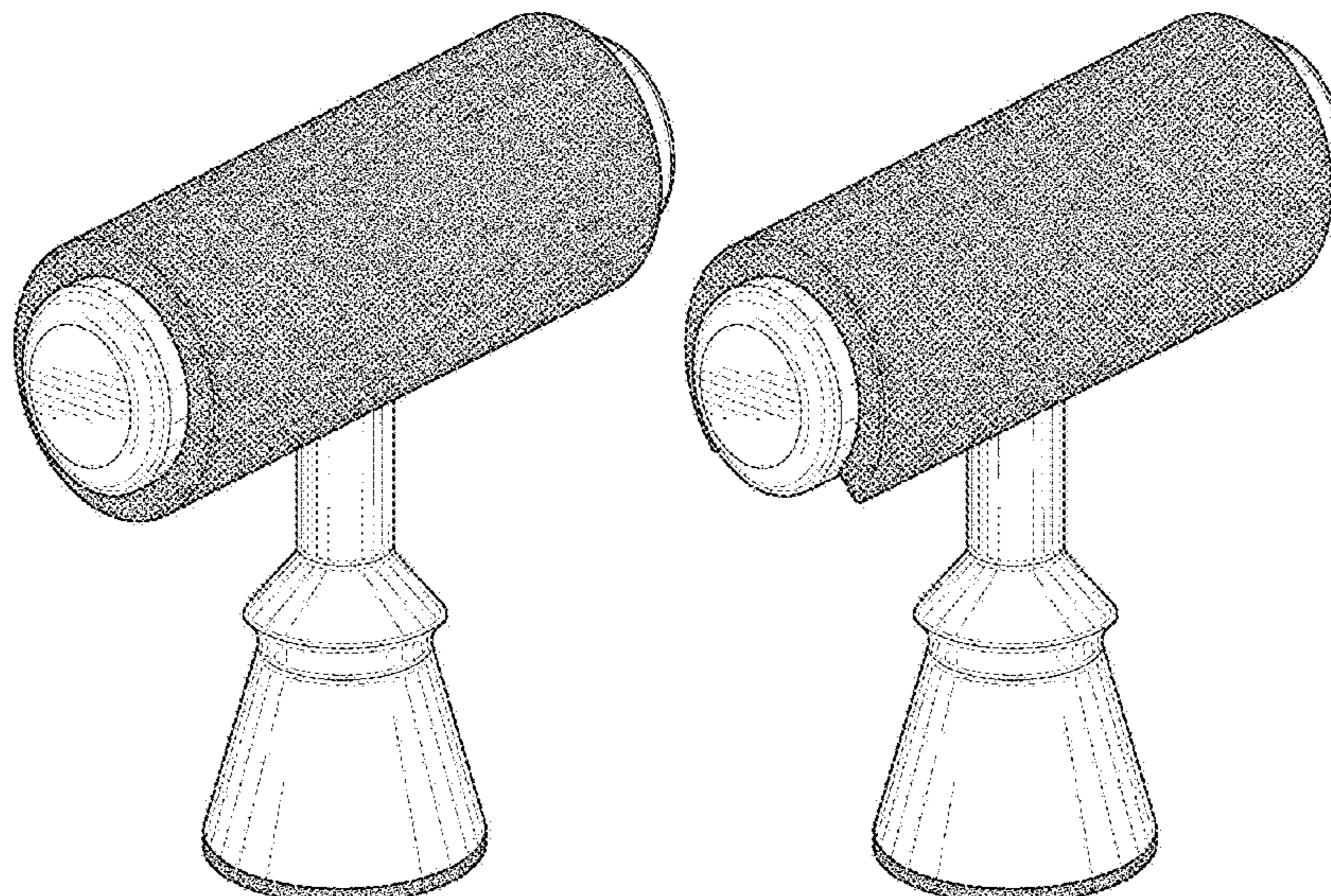
FIG. 11 is a front view of the push-up assistance apparatus illustrated in FIG. 8.

FIG. 12 is a back view of the push-up assistance apparatus illustrated in FIG. 8.

FIG. 13 is a top view of the push-up assistance apparatus illustrated in FIG. 8; and,

FIG. 14 is a bottom view of the push-up assistance apparatus illustrated in FIG. 8.

**1 Claim, 10 Drawing Sheets**



(56)

**References Cited**

U.S. PATENT DOCUMENTS

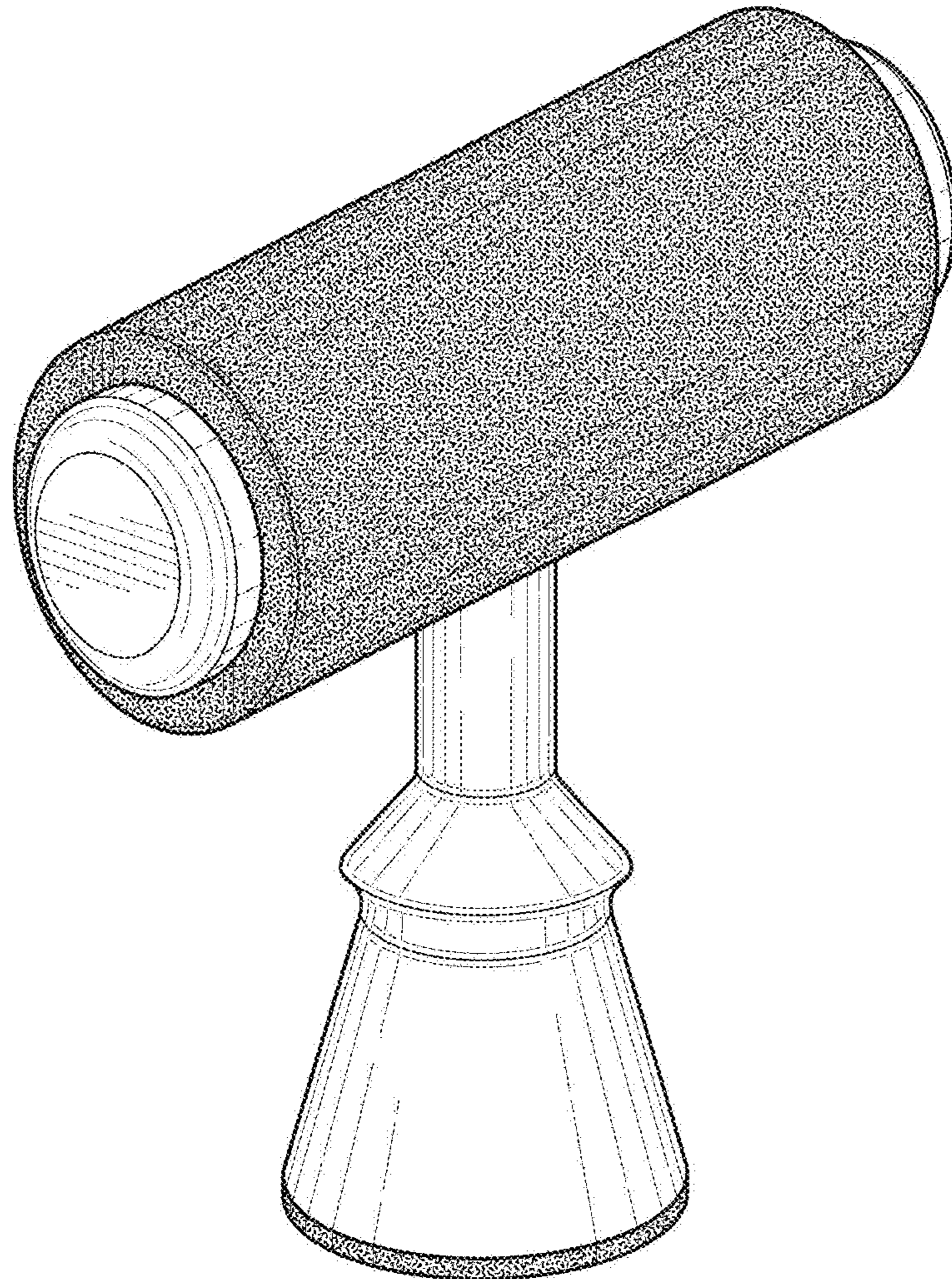
D484,929	S *	1/2004	Mollet .....	D21/684
D616,950	S *	6/2010	Hersee .....	D8/303
D619,181	S *	7/2010	Oller .....	D21/662
D636,037	S *	4/2011	Chuang .....	D21/684
D653,715	S *	2/2012	Tumminia .....	A63B 21/072
				D21/679
D688,756	S *	8/2013	Wauldron .....	D24/211
D699,794	S *	2/2014	Wauldron .....	D24/211
9,440,110	B2	9/2016	Izzo	
9,795,823	B2 *	10/2017	Wyncott .....	A63B 21/072
D866,687	S *	11/2019	Hume .....	D21/692
D881,401	S *	4/2020	Burns .....	D24/188
2004/0198568	A1 *	10/2004	Stonecipher .....	A63B 21/0023
				482/106
2010/0137105	A1 *	6/2010	McLaughlin .....	A63F 13/245
				482/8

OTHER PUBLICATIONS

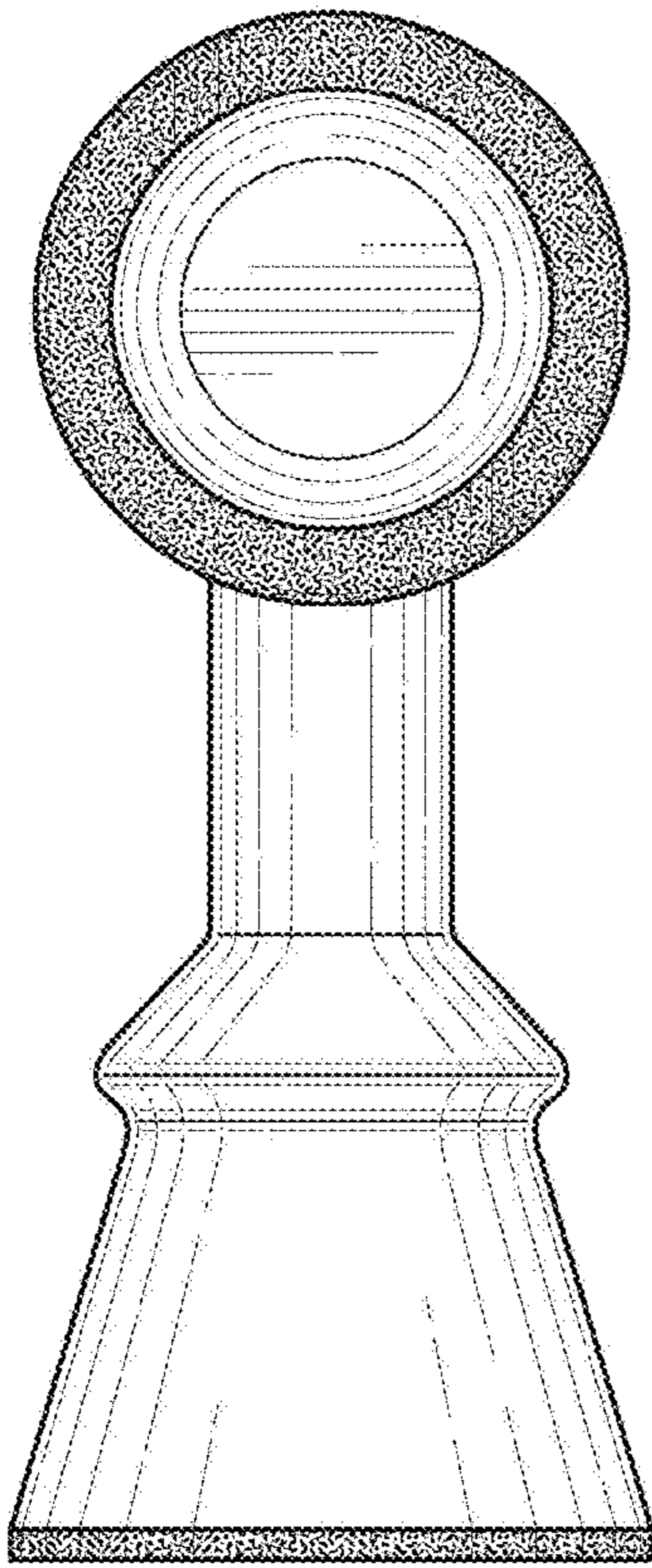
Kafue, Portable T-Spikes Push Up Bar, Amazon.com listing, [https://www.amazon.com/kafue-Portable-T-Spikes-Stainless-Equipment/dp/B09GLX2PQX/ref=sr\\_1\\_1?crid=K49RY5HBQ17&keyword](https://www.amazon.com/kafue-Portable-T-Spikes-Stainless-Equipment/dp/B09GLX2PQX/ref=sr_1_1?crid=K49RY5HBQ17&keyword).

Neuro-Grip, Neuro Grips, Amazon.com listing, [https://www.amazon.com/Neuro-Grip-Neuro-Grips/dp/B00HX1DGEG/ref=sr\\_1\\_1?crid=30U6V8ZGLESYG&keywords=neuro+grip+pushup&qid=167241391](https://www.amazon.com/Neuro-Grip-Neuro-Grips/dp/B00HX1DGEG/ref=sr_1_1?crid=30U6V8ZGLESYG&keywords=neuro+grip+pushup&qid=167241391).

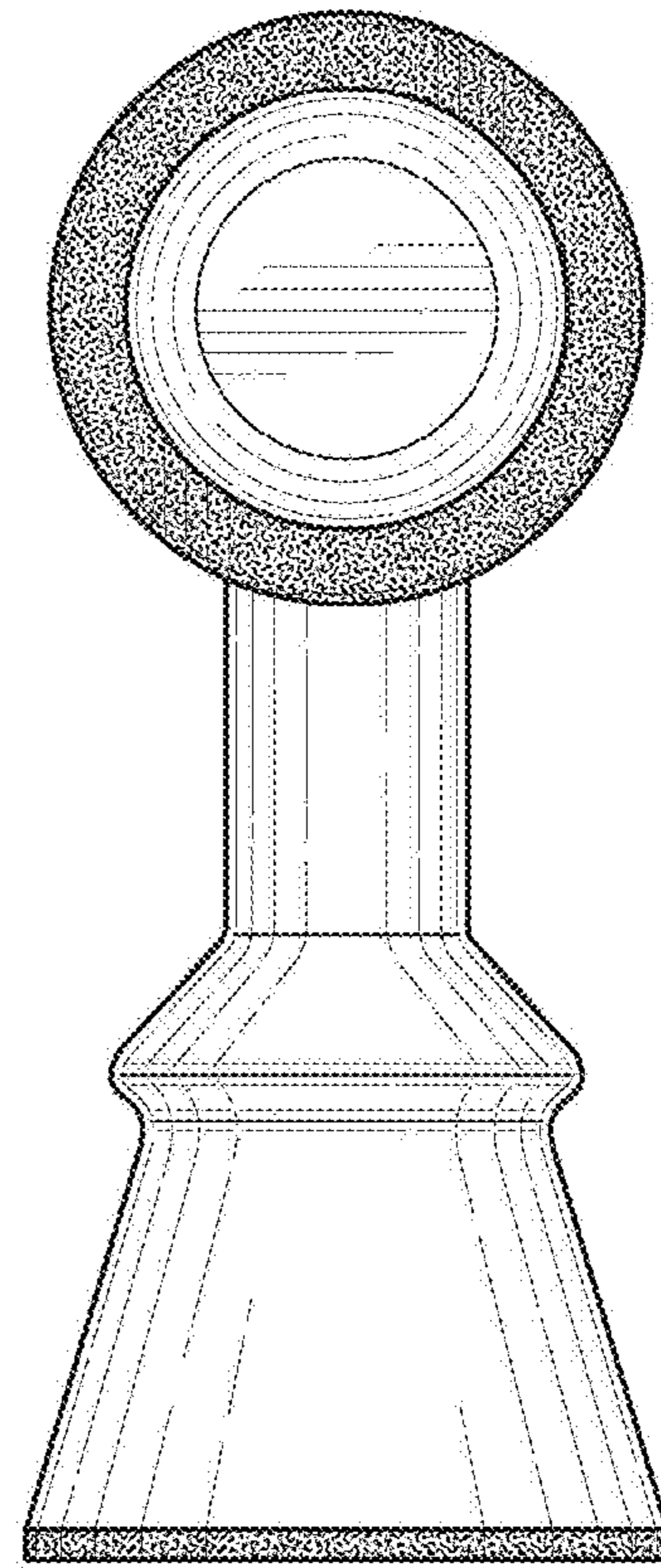
\* cited by examiner



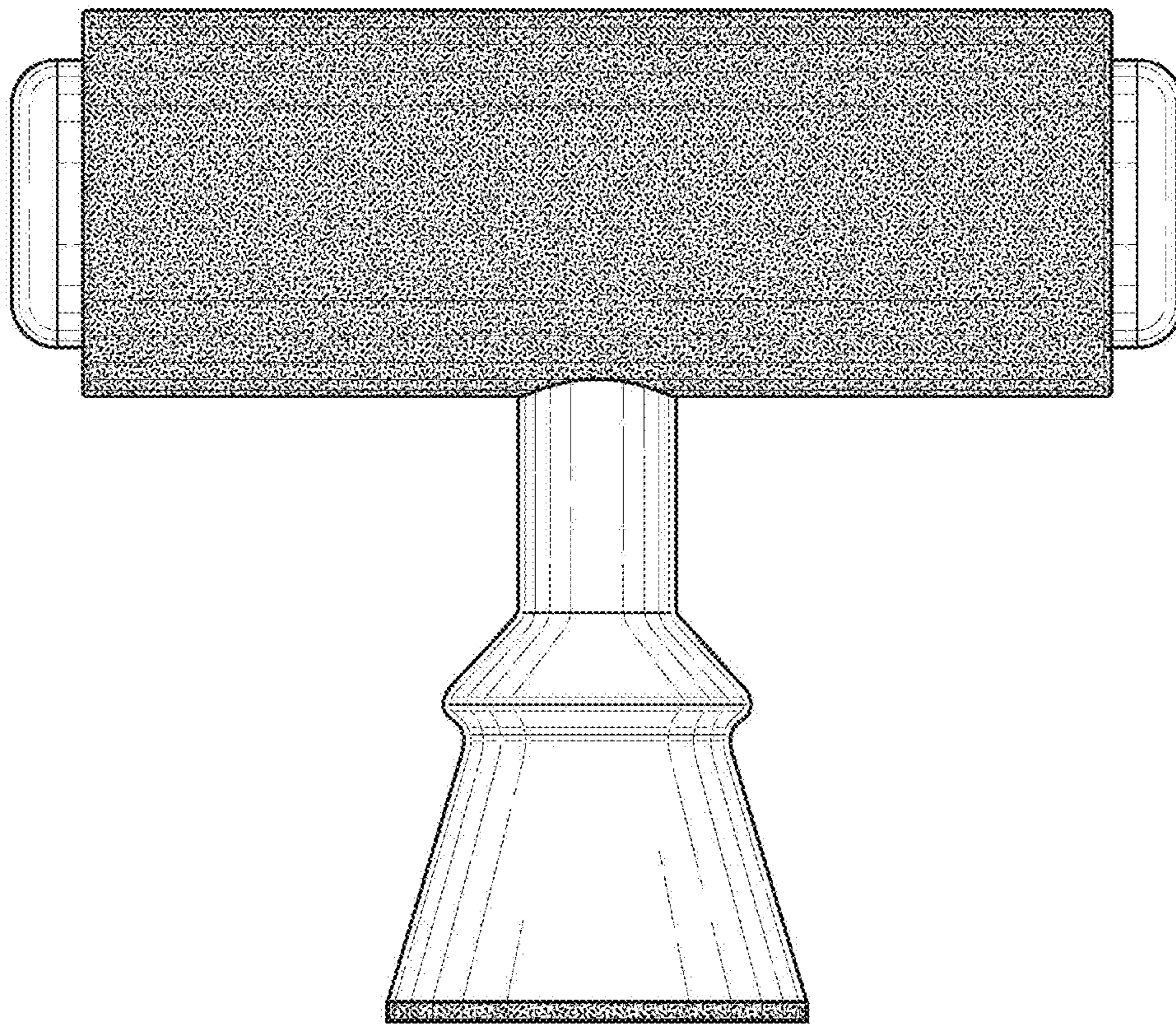
**FIG. 1**



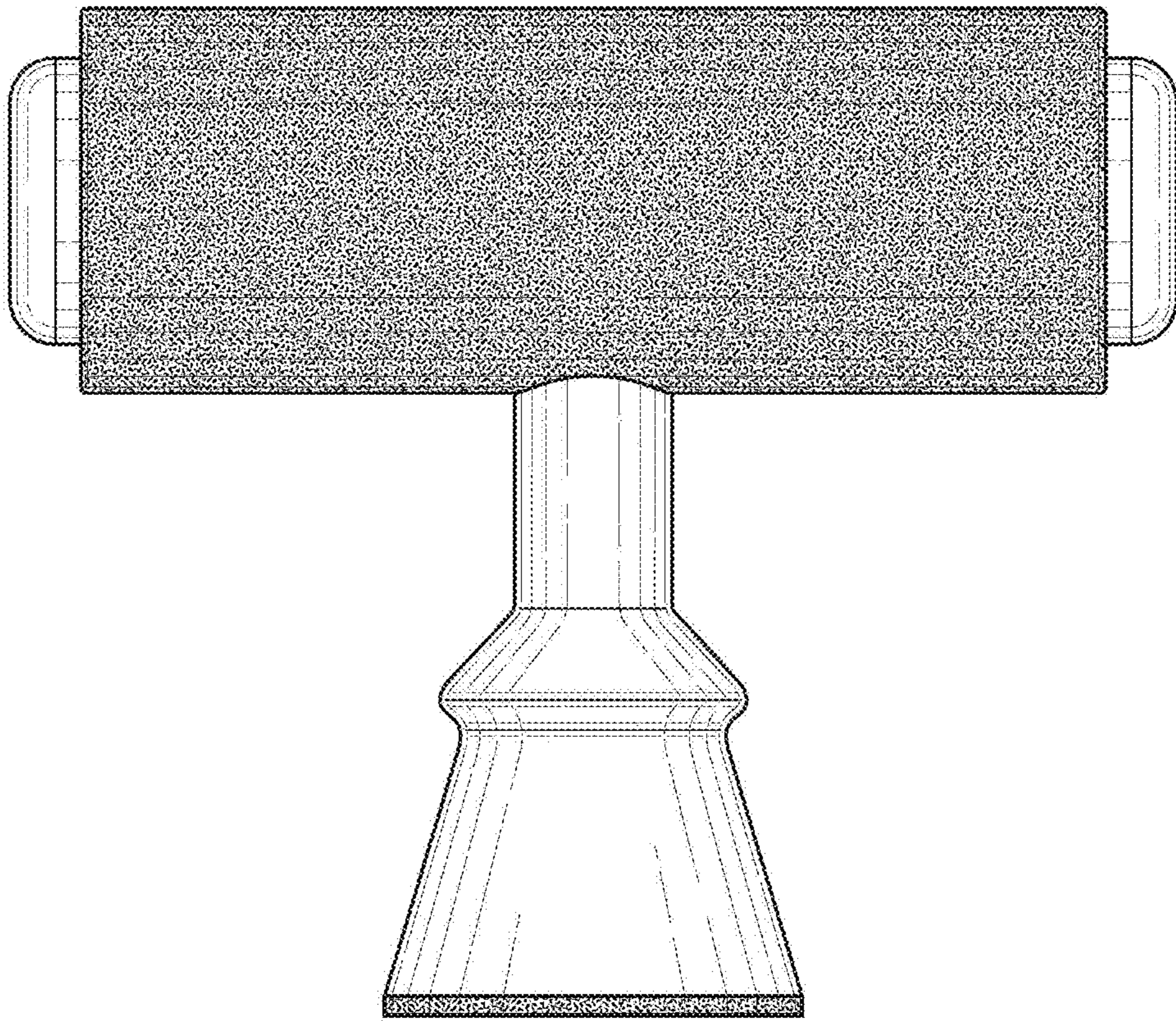
**FIG. 2**



**FIG. 3**



**FIG. 4**



**FIG. 5**

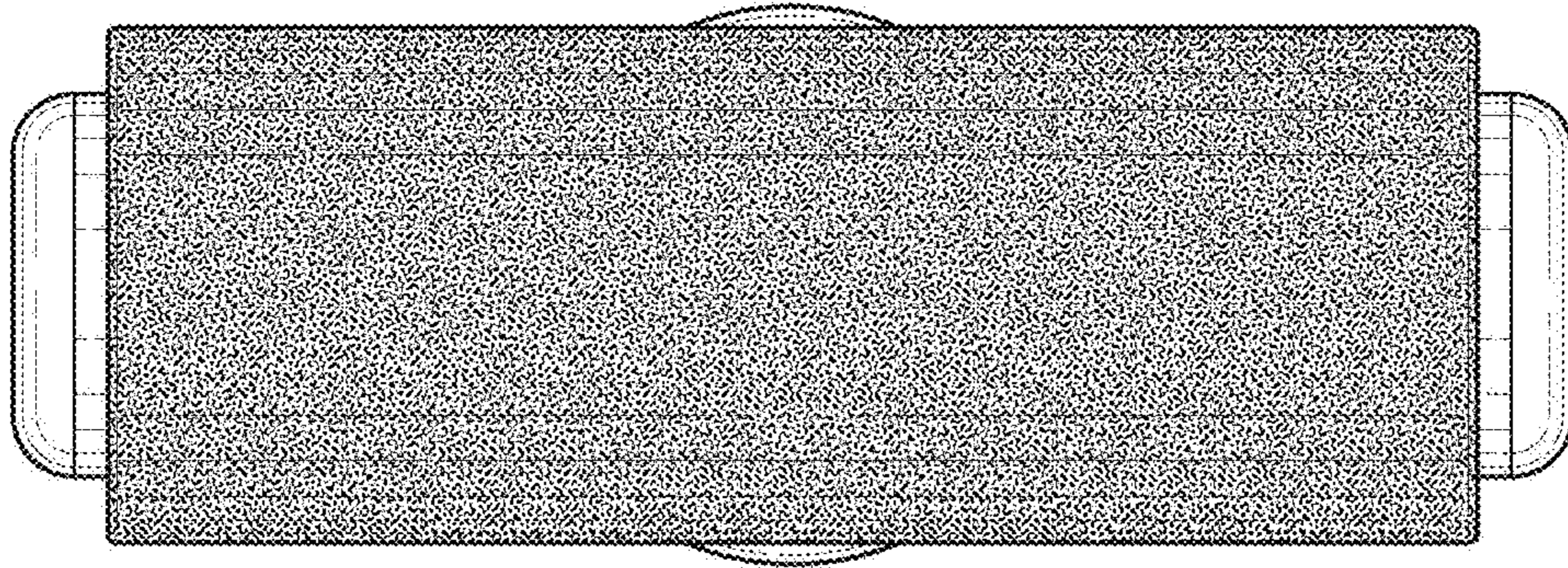


FIG. 6

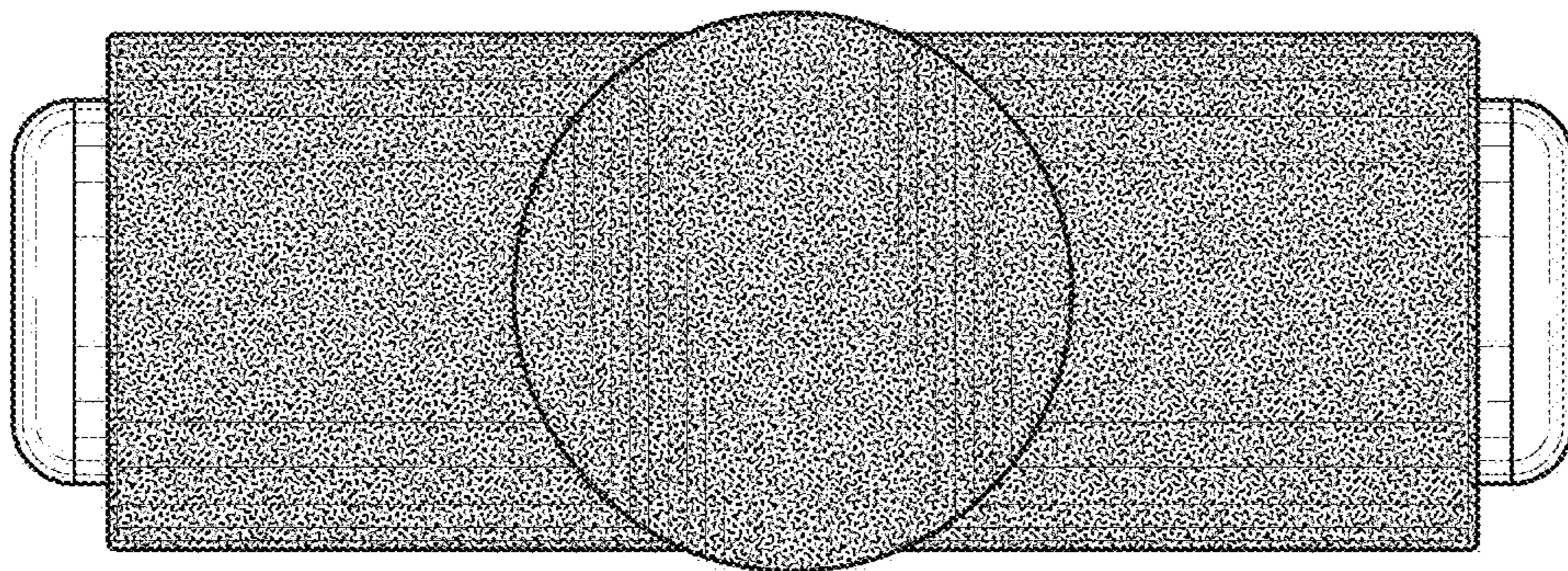
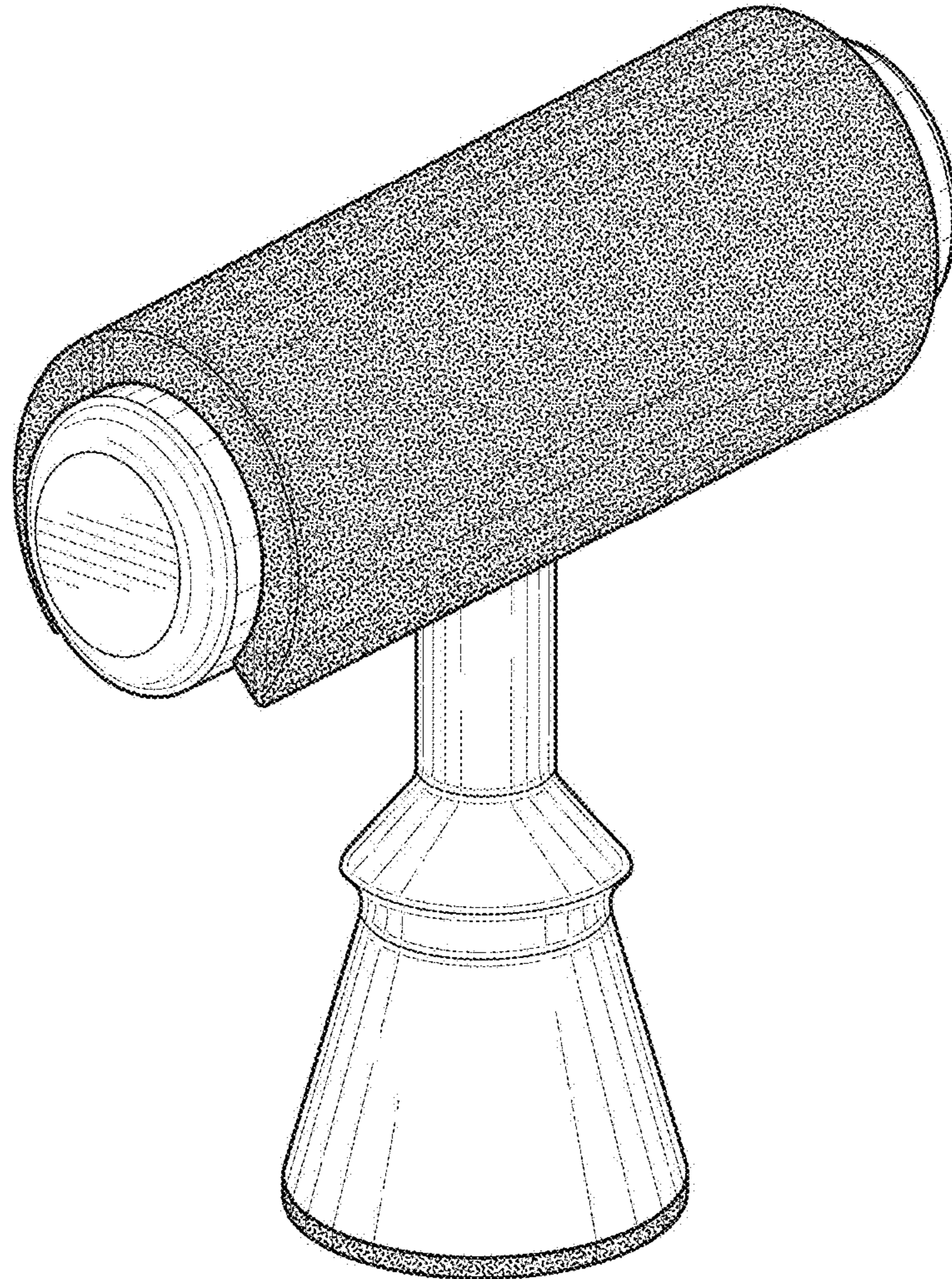
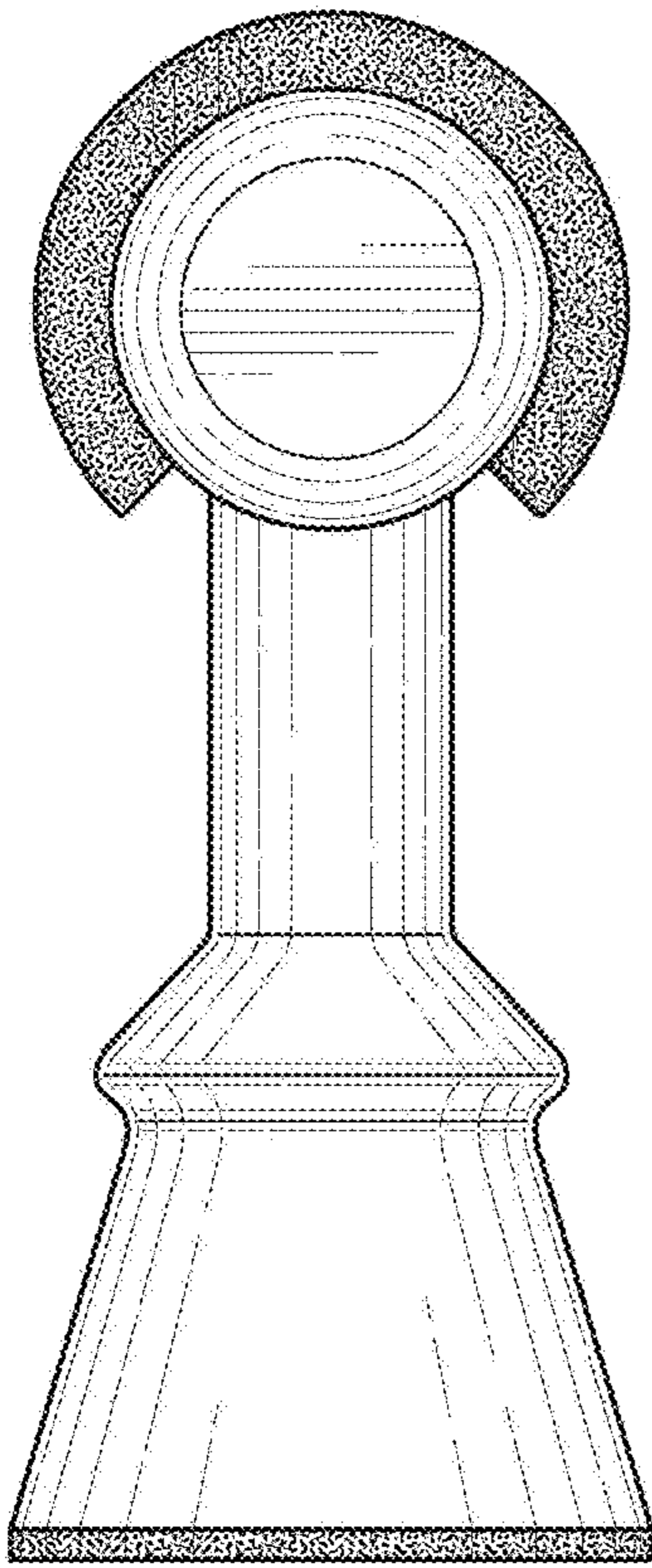


FIG. 7

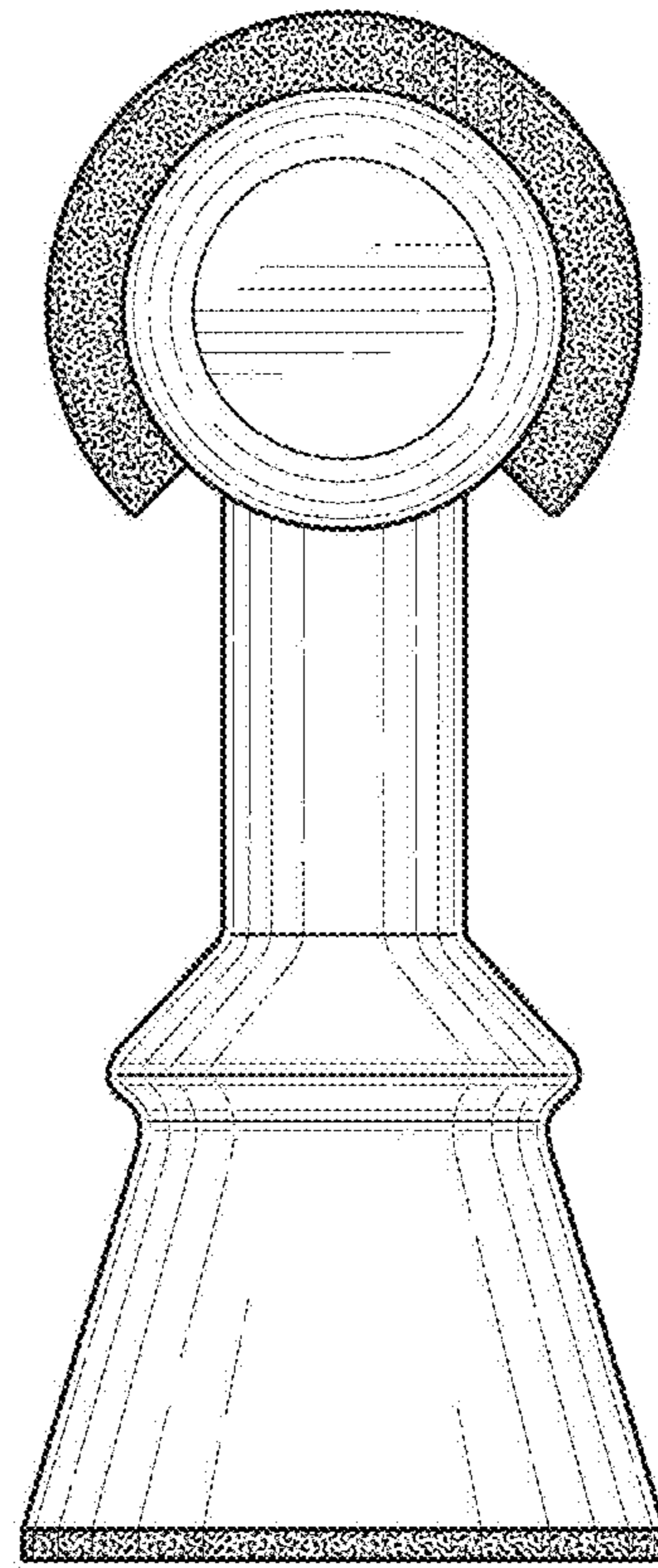


**FIG. 8**





**FIG. 9**



**FIG. 10**

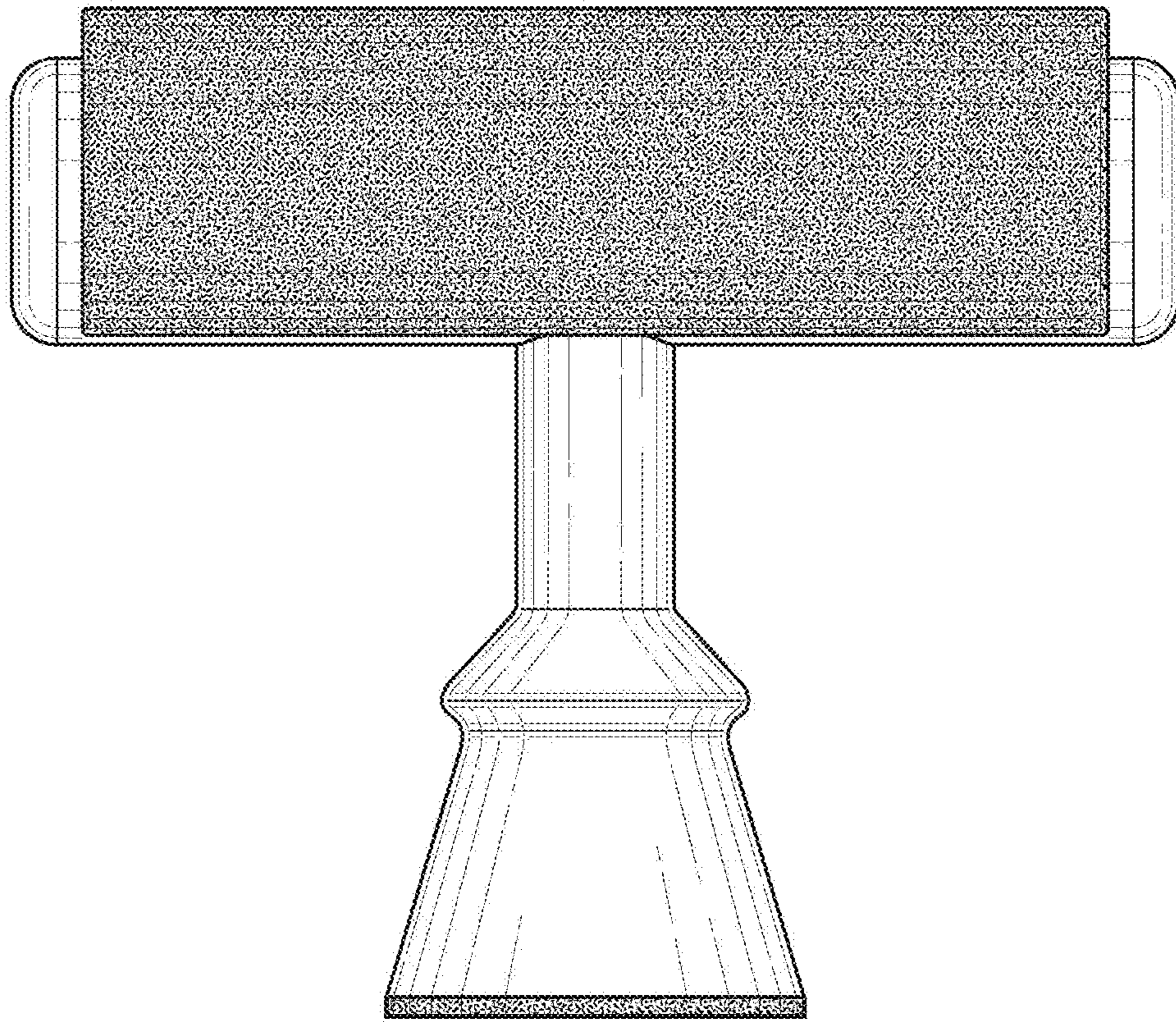


FIG. 11

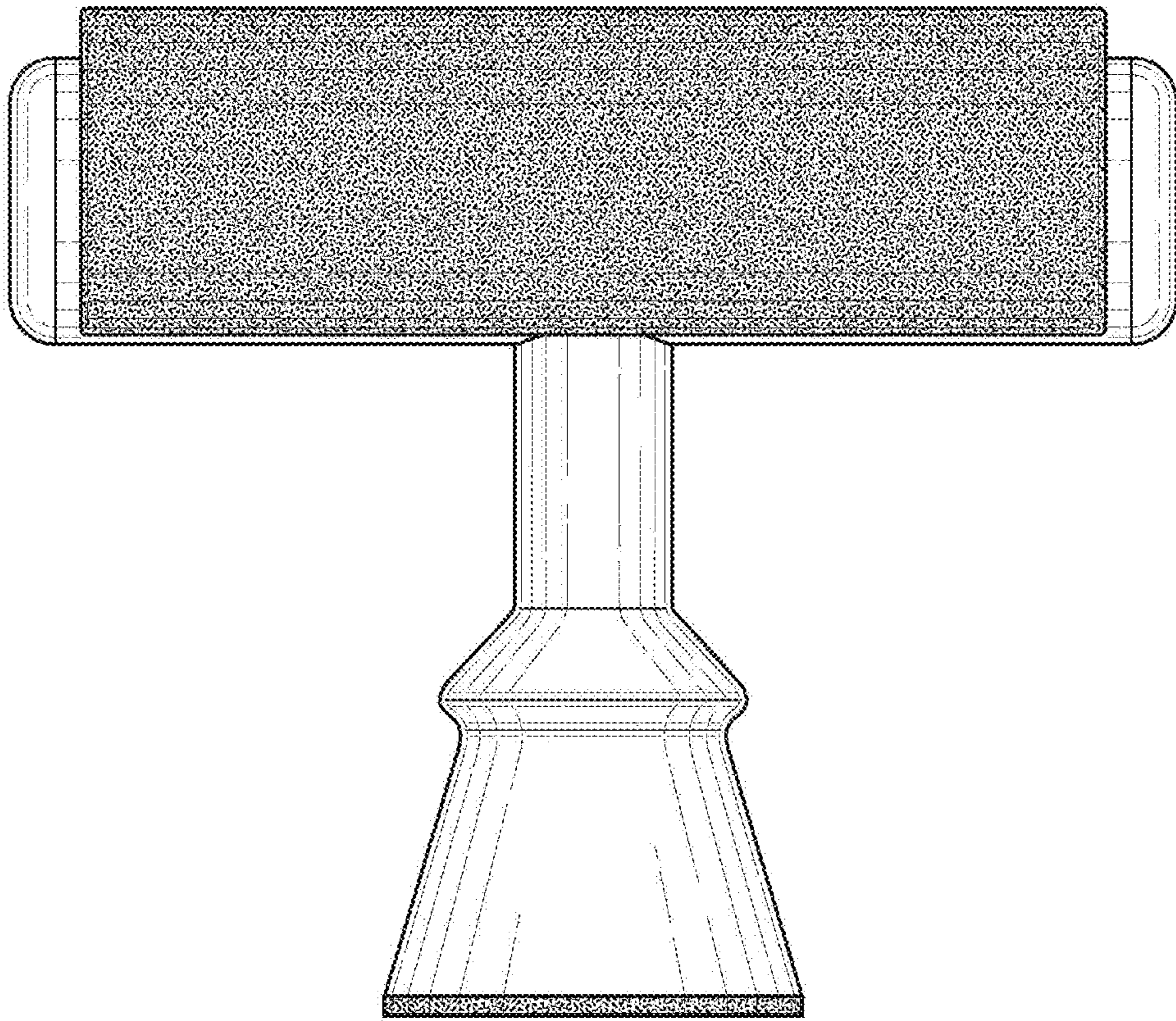


FIG. 12

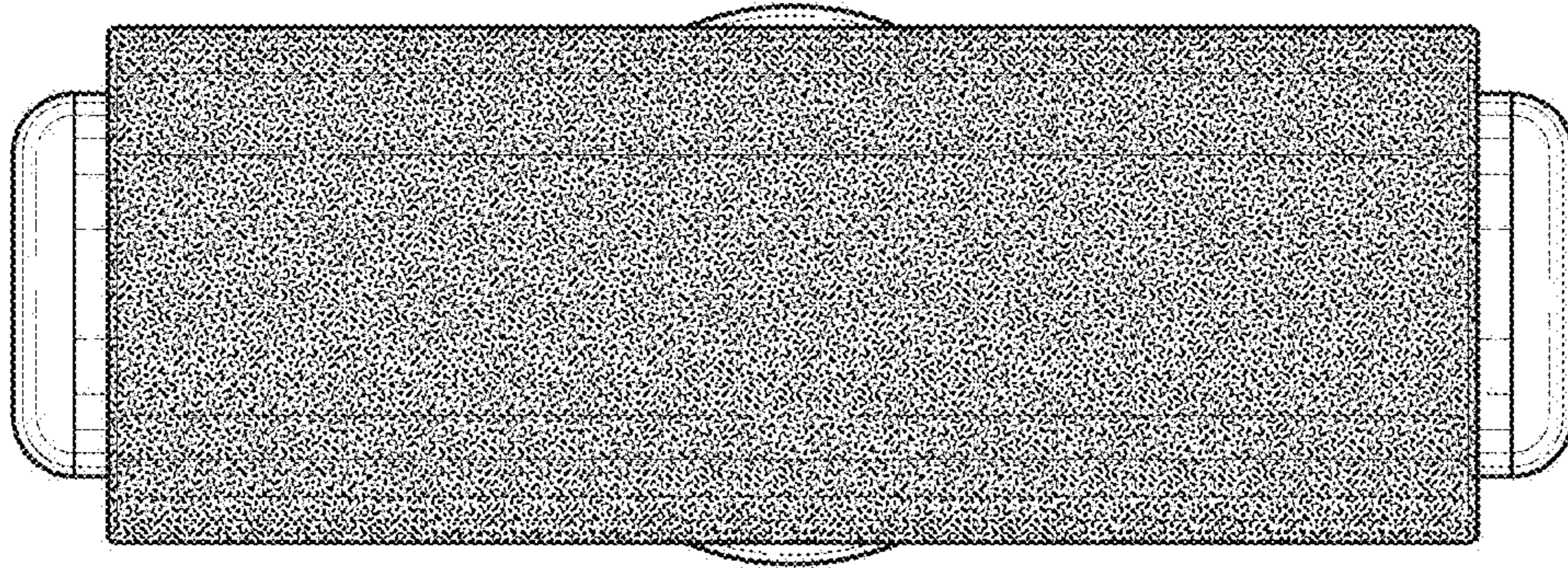


FIG. 13

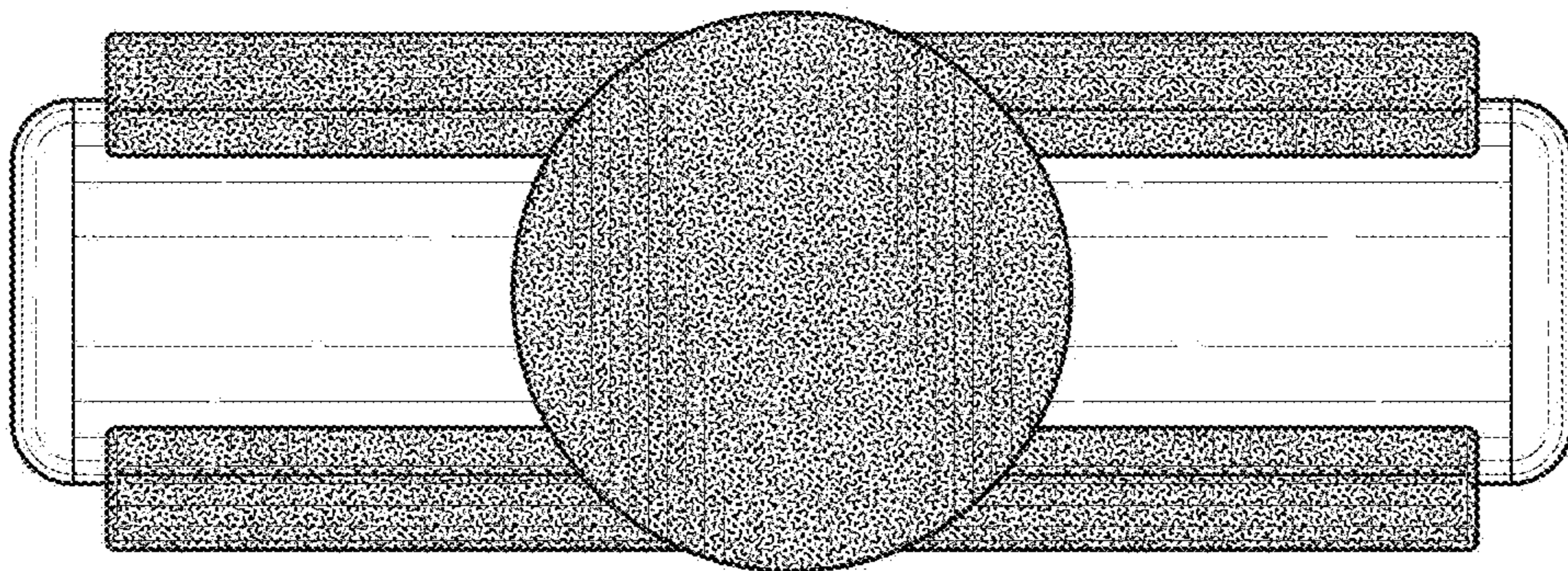


FIG. 14