



US00D982676S

(12) **United States Design Patent**  
**Song**

(10) **Patent No.:** **US D982,676 S**

(45) **Date of Patent:** **\*\* Apr. 4, 2023**

(54) **TOY GUN**

(71) Applicant: **Shenzhen Tianqin Information Technology Co., Ltd., Shenzhen (CN)**

(72) Inventor: **Xiangrong Song, Guangdong (CN)**

(73) Assignee: **Shenzhen Tianqin Information Technology Co., Ltd., Shenzhen (CN)**

(\*\*) Term: **15 Years**

(21) Appl. No.: **29/851,599**

(22) Filed: **Aug. 30, 2022**

(51) **LOC (14) Cl.** ..... **21-01**

(52) **U.S. Cl.**  
USPC ..... **D21/573**

(58) **Field of Classification Search**  
USPC ..... D21/572, 573, 574, 575; D22/103, 104,  
D22/100, 101

See application file for complete search history.

(56) **References Cited**

**U.S. PATENT DOCUMENTS**

D206,542 S *	12/1966	Ryan et al. ....	D21/573
D524,871 S *	7/2006	Nunokawa ....	D21/324
D557,754 S *	12/2007	Halmone ....	D21/573
D660,922 S *	5/2012	Mead ....	D21/573
D710,210 S *	8/2014	Tussy ....	D9/680
D819,765 S *	6/2018	Kafka ....	D22/103
10,322,355 B1 *	6/2019	Liu ....	A63H 5/04
D853,516 S *	7/2019	Özaysin ....	D22/103
D908,816 S *	1/2021	Cheng ....	D21/573
11,069,227 B1 *	7/2021	Hubatka ....	F41A 19/01
D950,669 S *	5/2022	Uğur ....	D22/108
D952,059 S	5/2022	Zheng	

(Continued)

**OTHER PUBLICATIONS**

Izokee, announced 2021 [online], [site visited Nov. 10, 2022]. Available on the internet, URL:<https://www.amazon.com/IZOKEE-Combination-Ejecting-Gameplay-Christmas/dp/B09TSV5JMF?th=1> (Year: 2021).\*

*Primary Examiner* — Khawaja Anwar

*Assistant Examiner* — Julice Seung Eun Oum

(74) *Attorney, Agent, or Firm* — ScienBiziP, P.C.

(57) **CLAIM**

The ornamental design for a toy gun, as shown and described.

**DESCRIPTION**

FIG. 1 is a front, left and top perspective view of a toy gun, showing my design.

FIG. 2 is a rear, right and bottom perspective view thereof.

FIG. 3 is a front elevation view thereof.

FIG. 4 is a rear elevation view thereof.

FIG. 5 is a left side elevation view thereof.

FIG. 6 is a right side elevation view thereof.

FIG. 7 is a top plan view thereof.

FIG. 8 is a bottom plan view thereof.

FIG. 9 is a partial enlarged view of an area labeled 9 in FIG. 1.

FIG. 10 is a partial enlarged view of an area labeled 10 in FIG. 1.

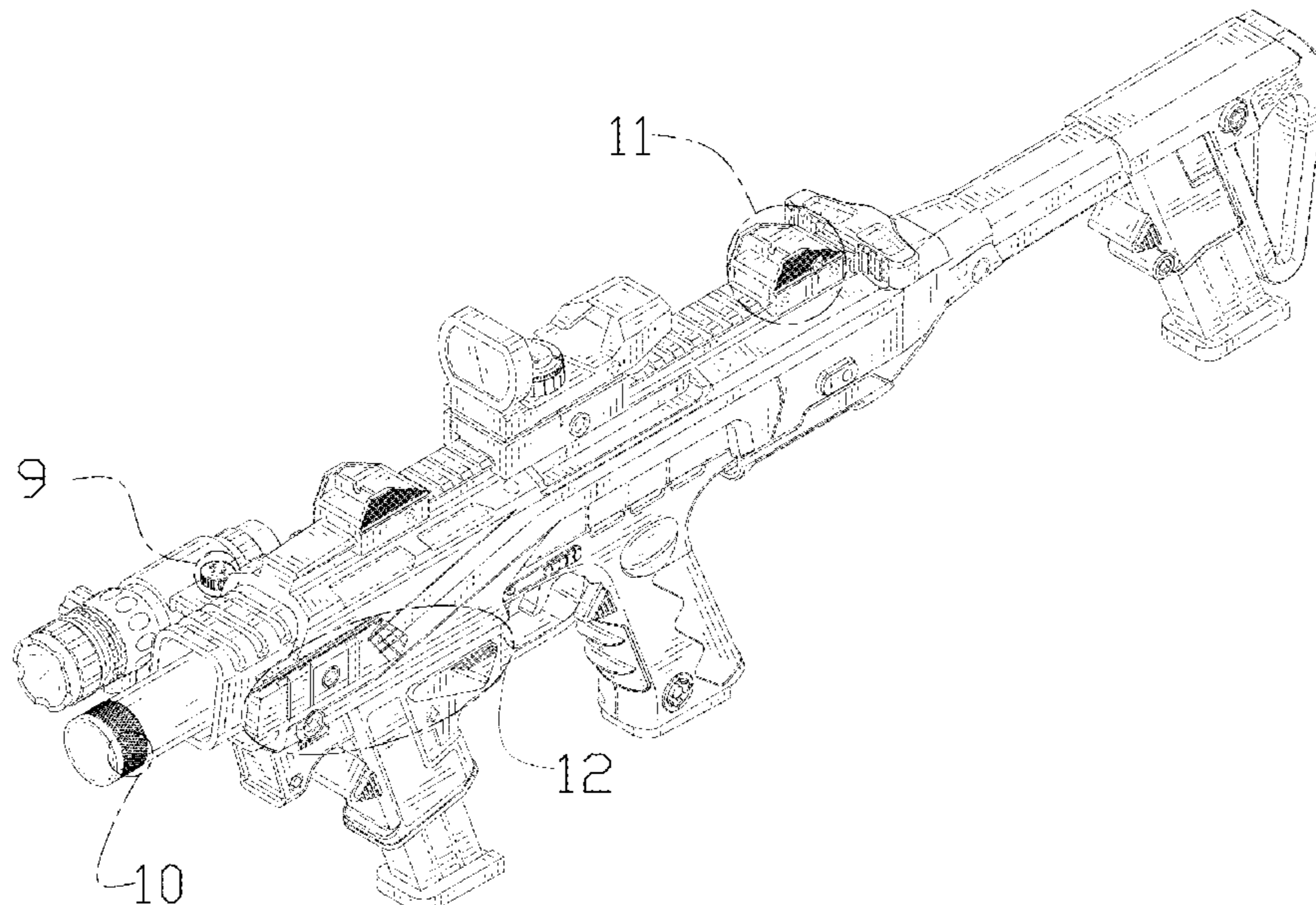
FIG. 11 is a partial enlarged view of an area labeled 11 in FIG. 1.

FIG. 12 is a partial enlarged view of an area labeled 12 in FIG. 1; and,

FIG. 13 is a partial enlarged view of an area labeled 13 in FIG. 2.

The broken lines shown in the drawings are included for the purpose of illustrating portions of the toy gun that form no part of the claimed design. In addition, the dot-dash broken lines in FIGS. 1, 2, and 9-13 depict the boundaries of the enlargements that form no part of the claimed design.

**1 Claim, 13 Drawing Sheets**



(56)

**References Cited**

U.S. PATENT DOCUMENTS

D958,263 S	7/2022	Li	
D963,763 S *	9/2022	Lin	..... D21/573
2015/0231523 A1 *	8/2015	Liao	..... A63H 33/30 446/473
2021/0095935 A1 *	4/2021	Chia	..... F42B 6/003

\* cited by examiner

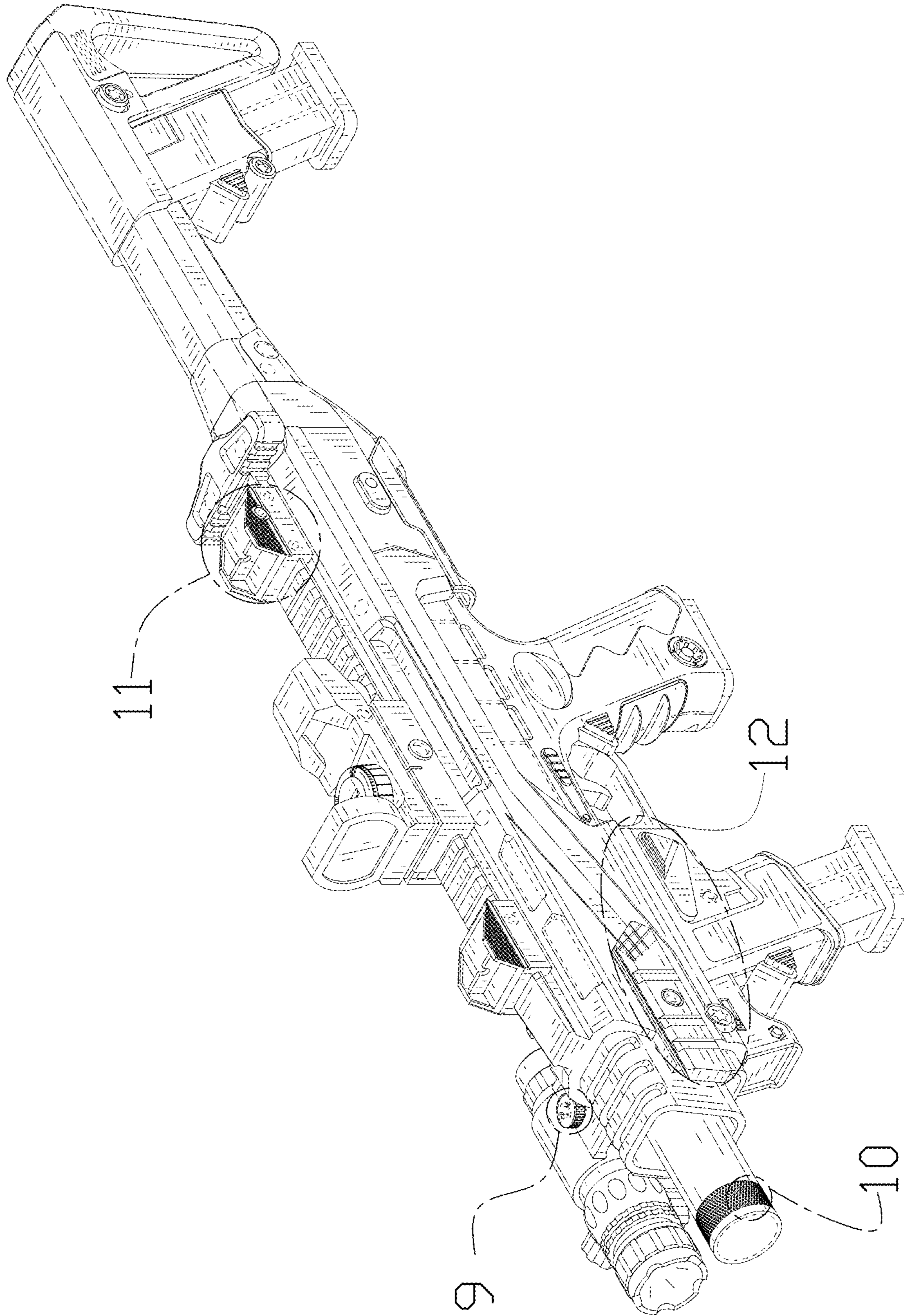


FIG. 1

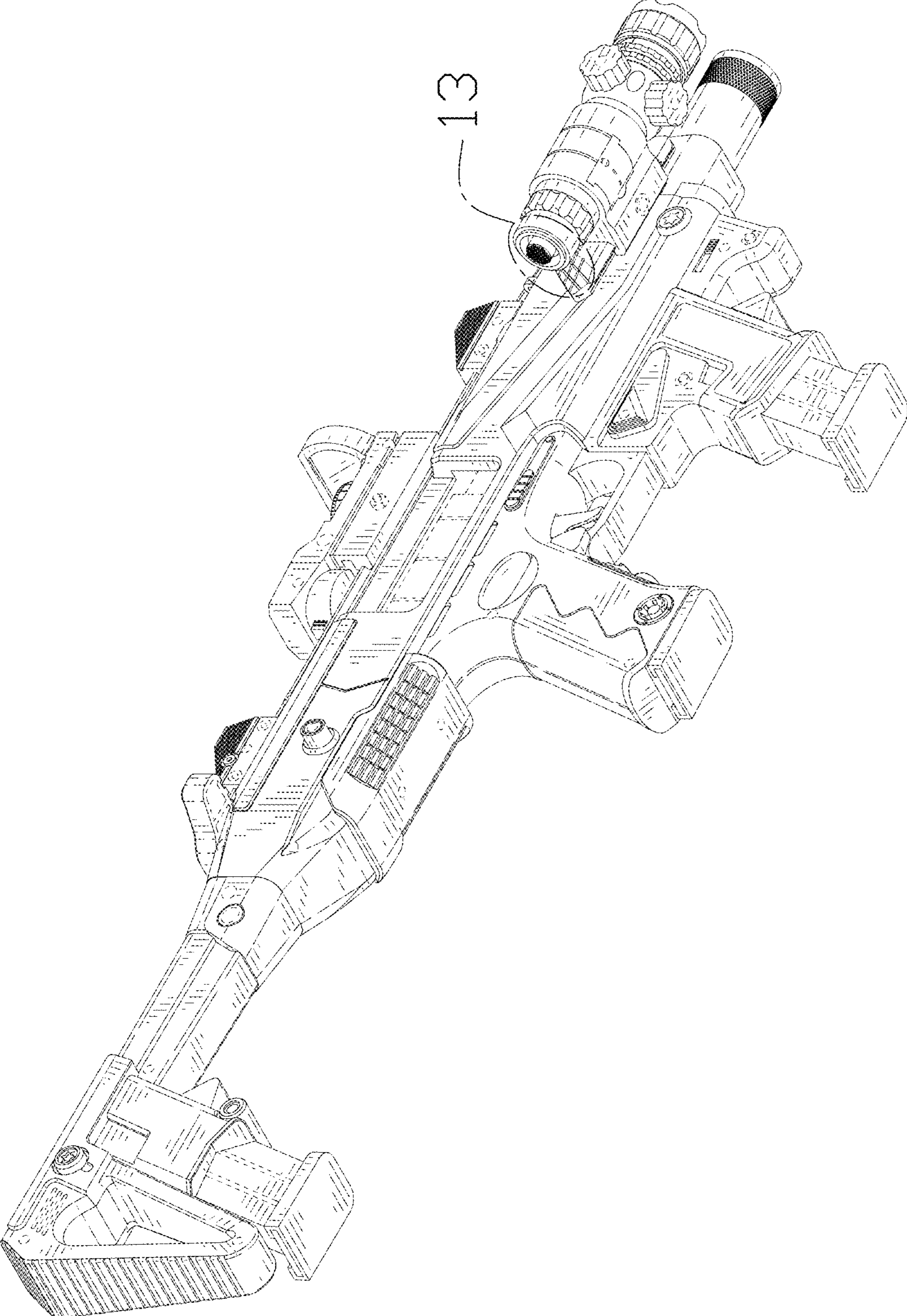


FIG. 2

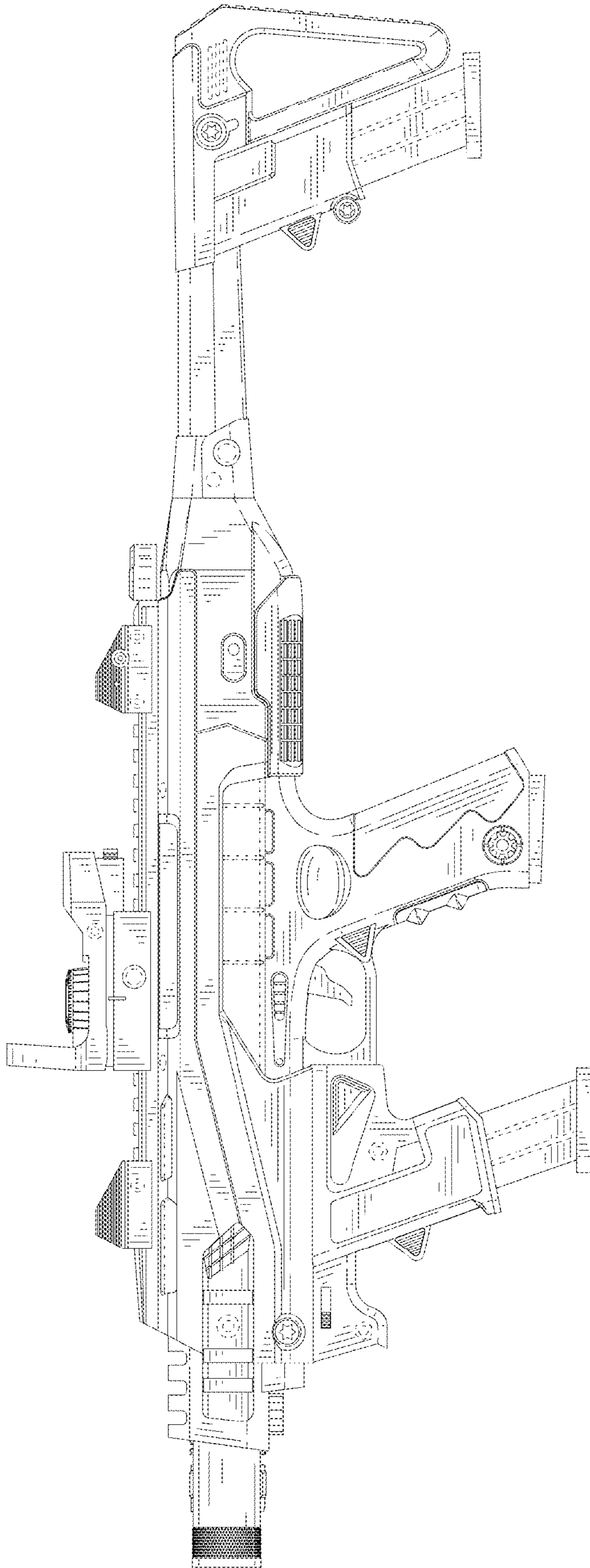


FIG. 3

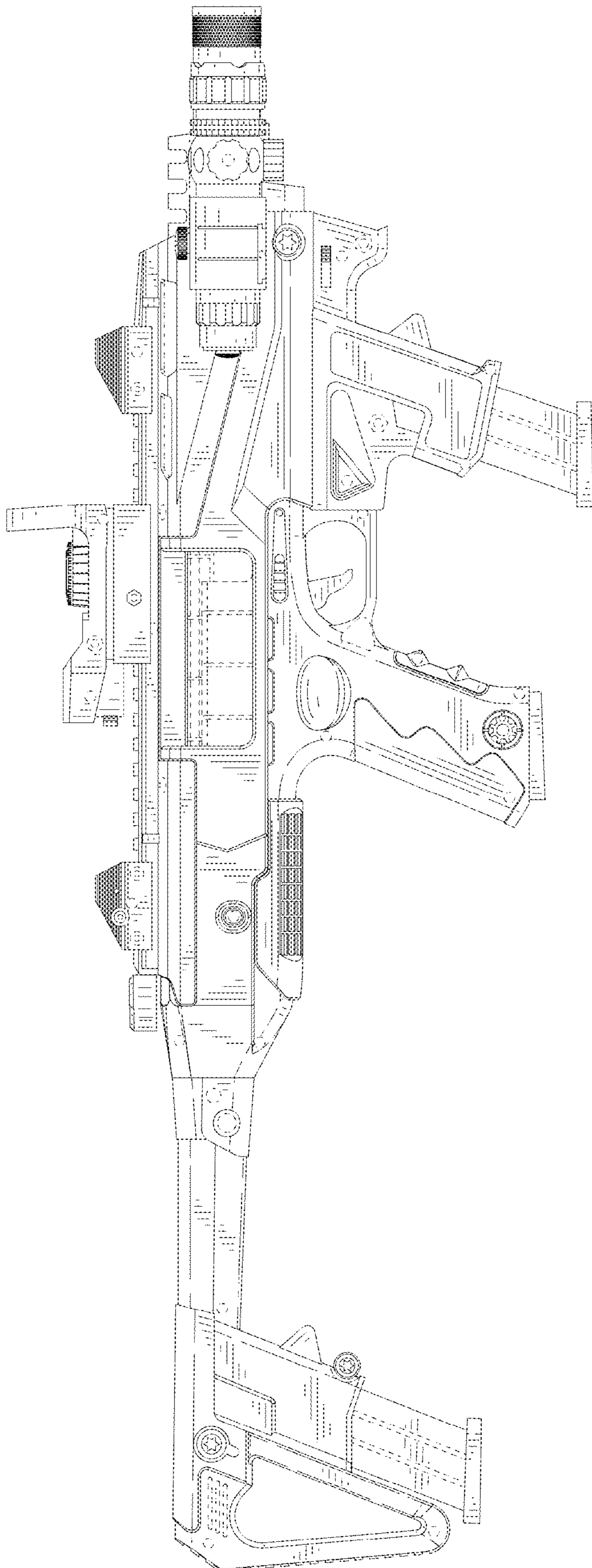


FIG. 4

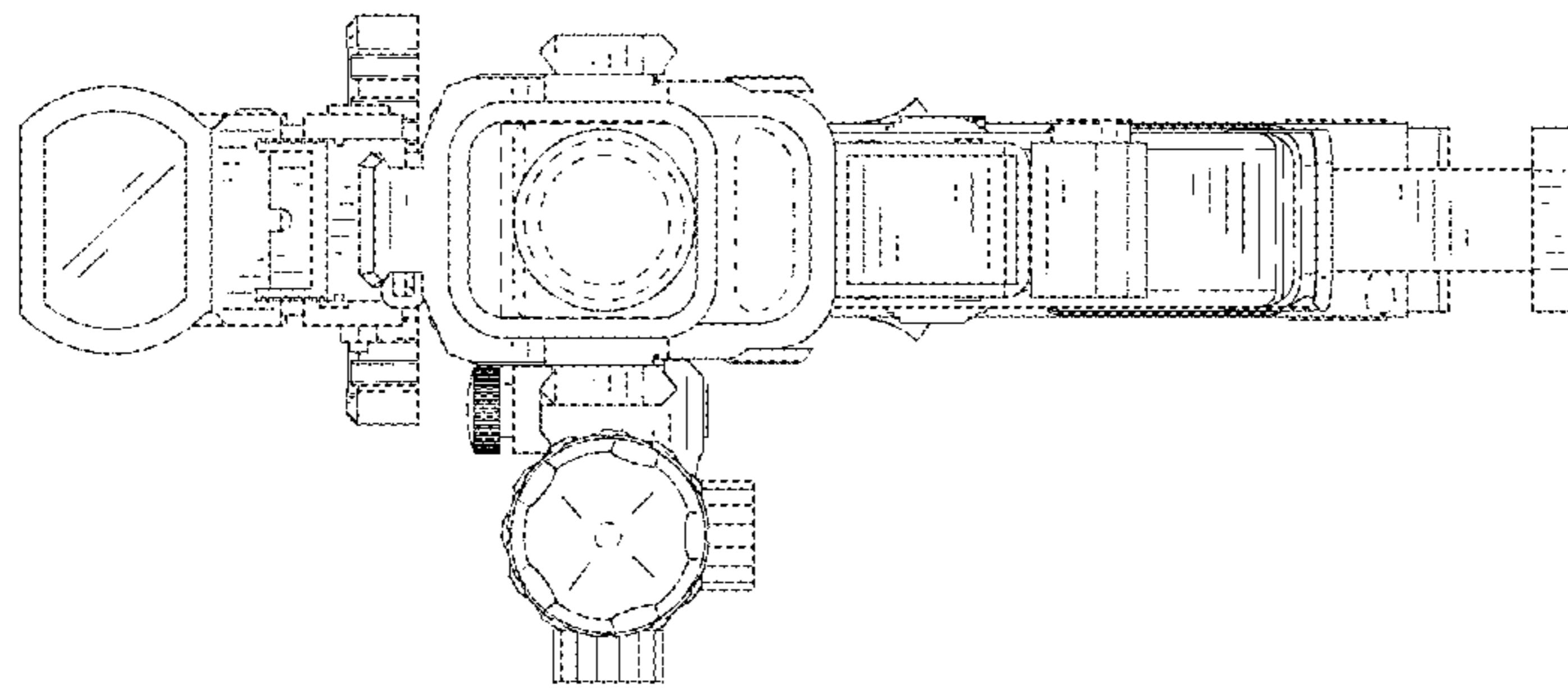


FIG. 5

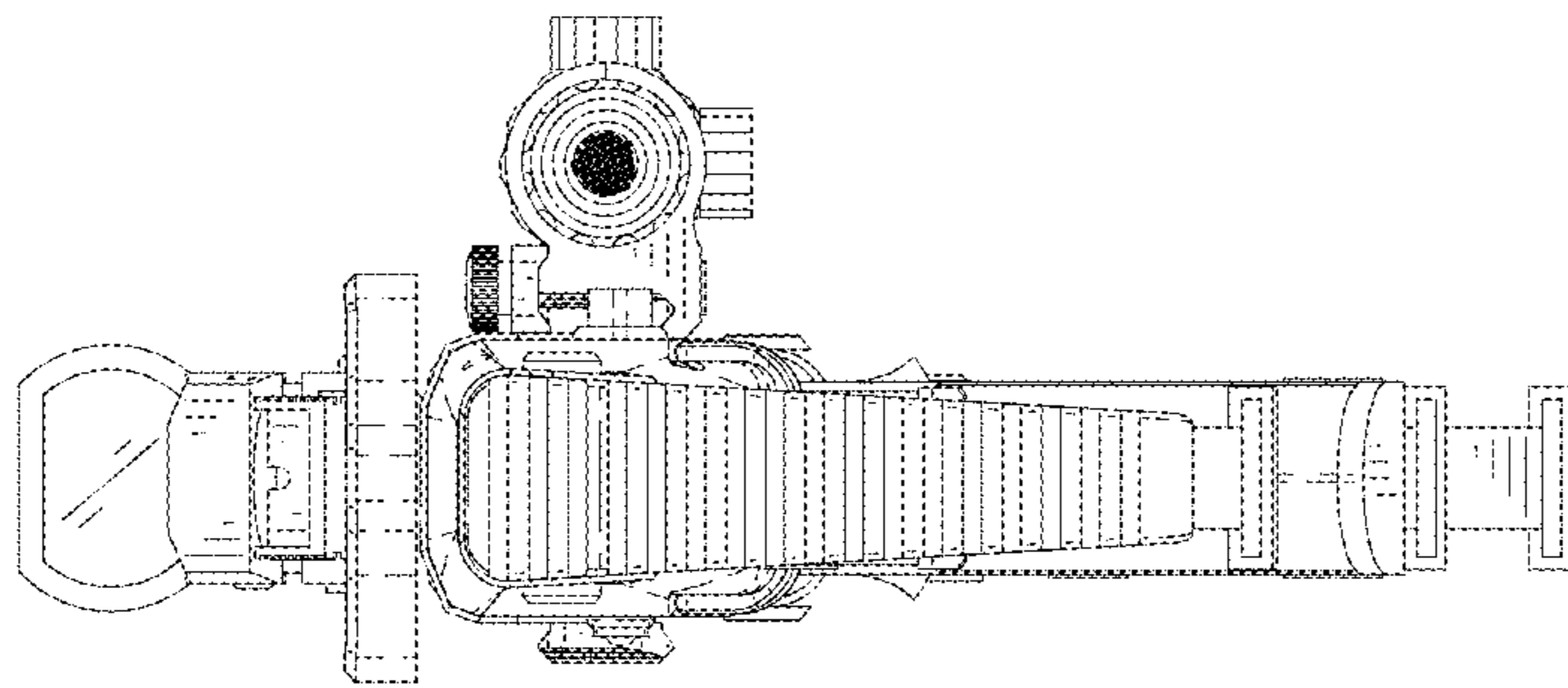


FIG. 6



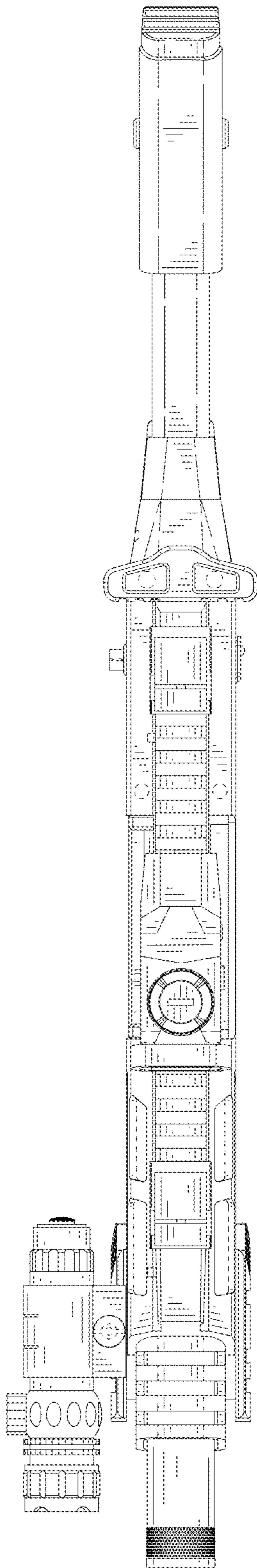


FIG. 7

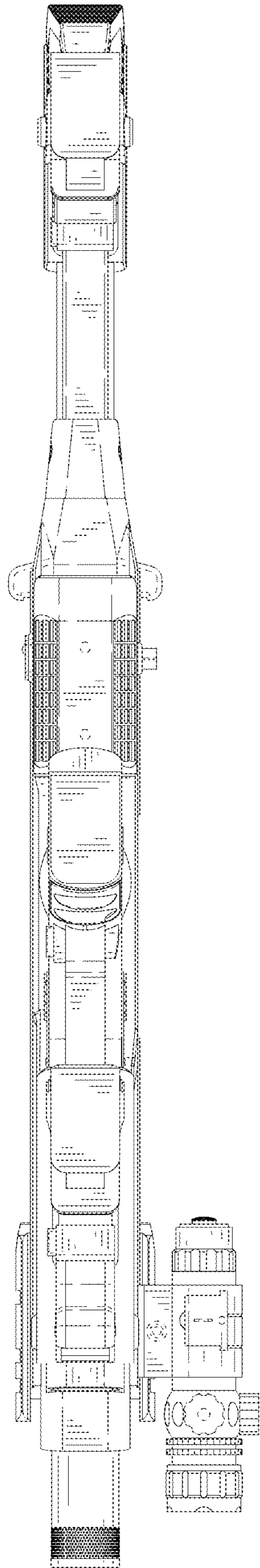


FIG. 8

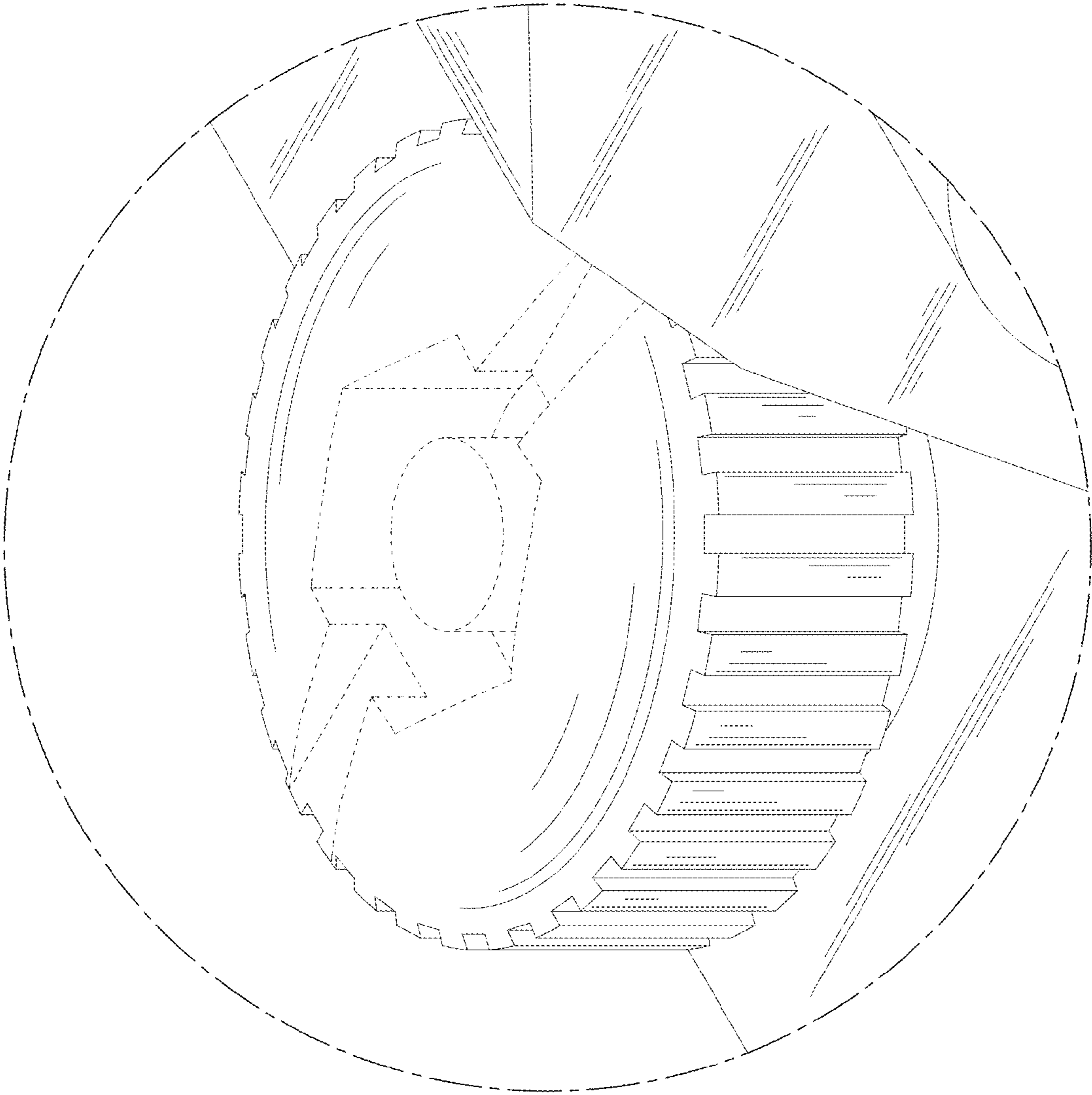


FIG. 9

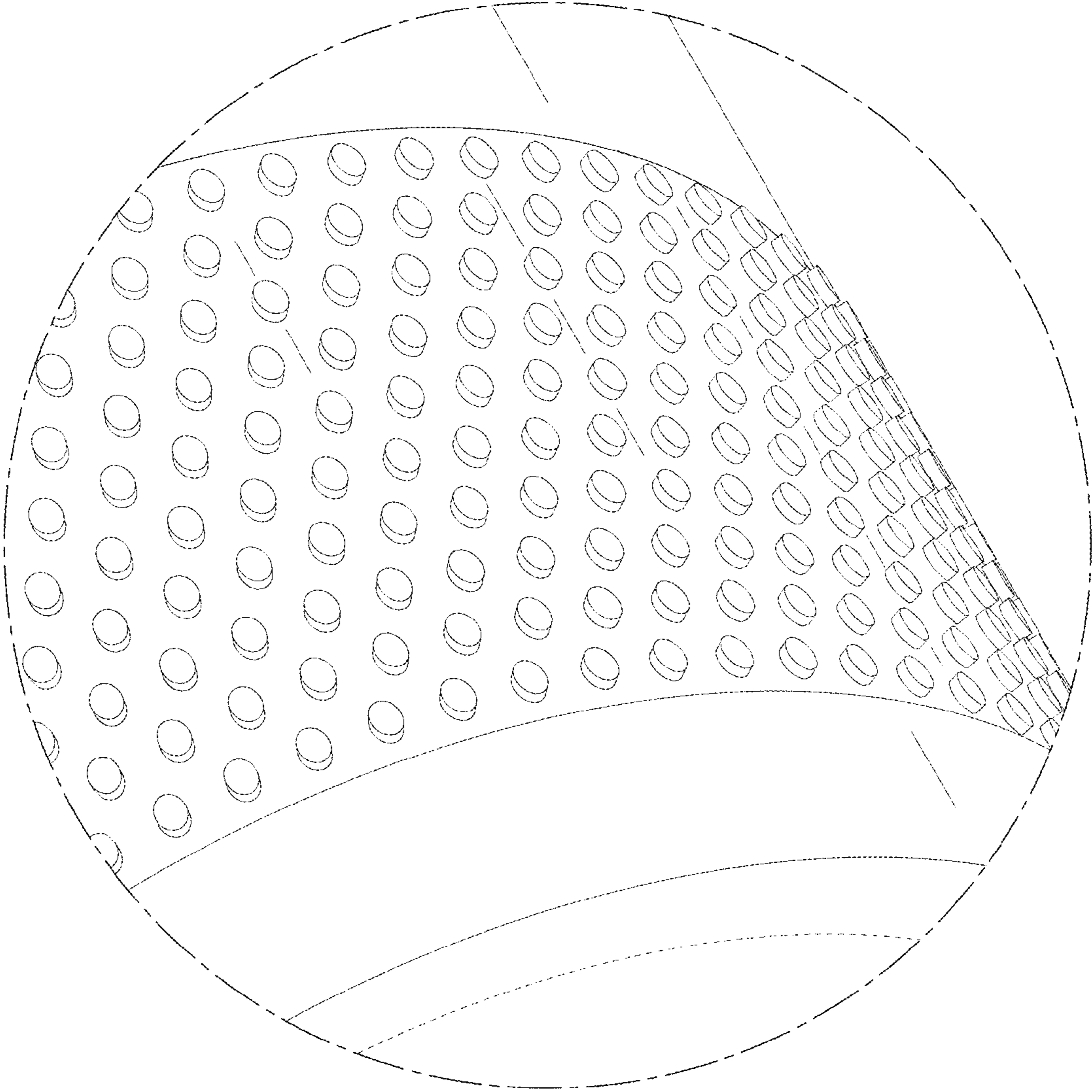


FIG. 10

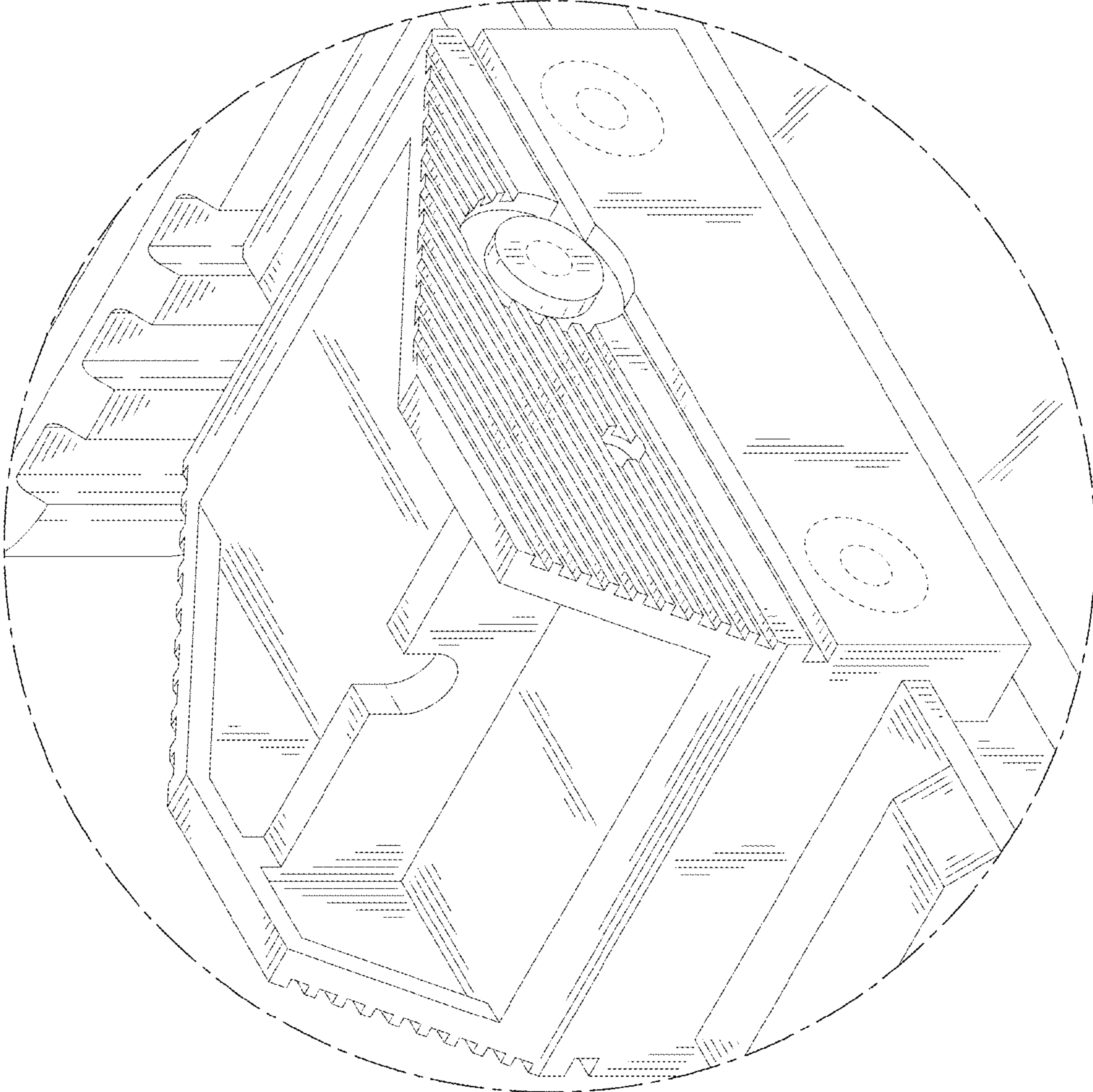


FIG. 11

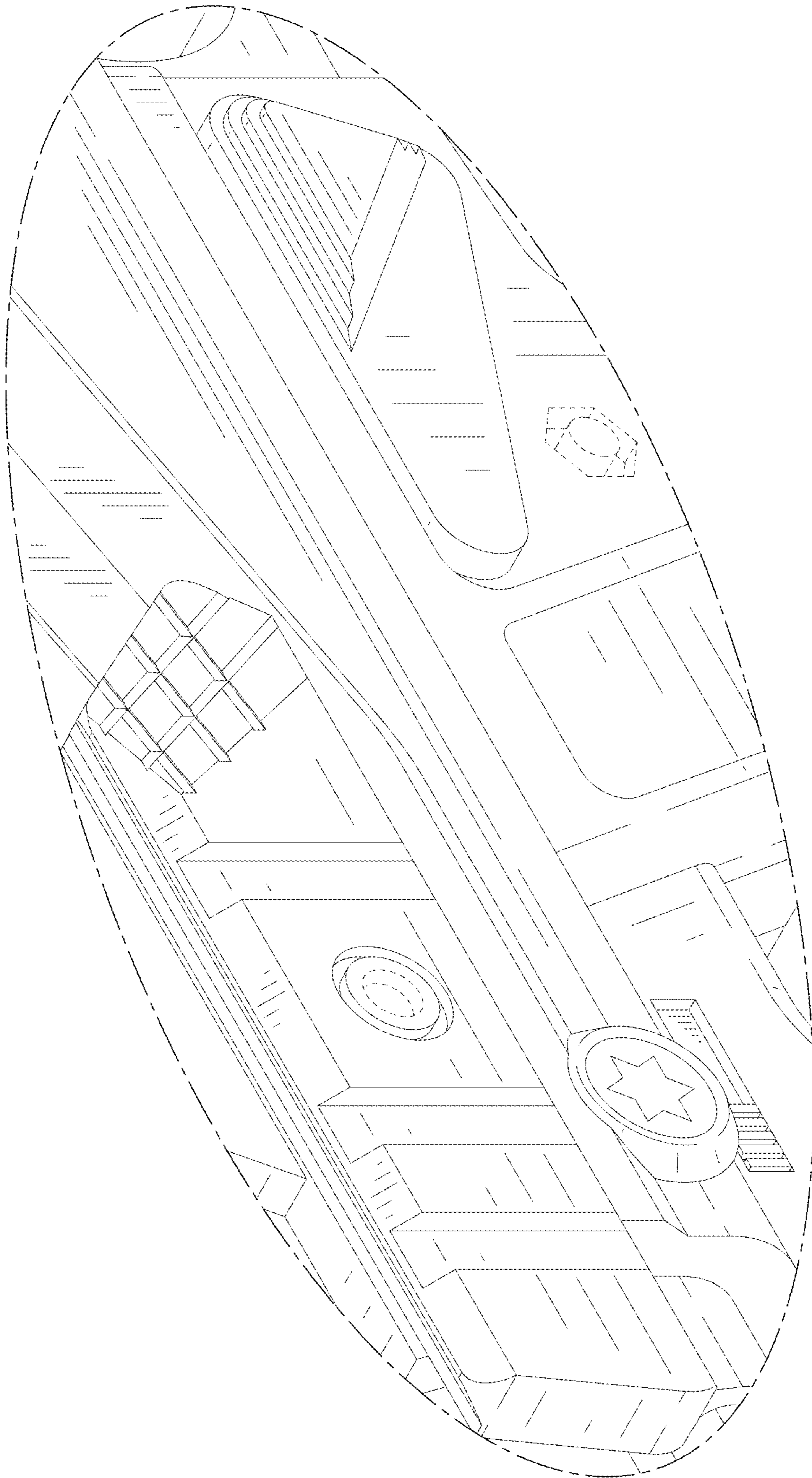


FIG. 12

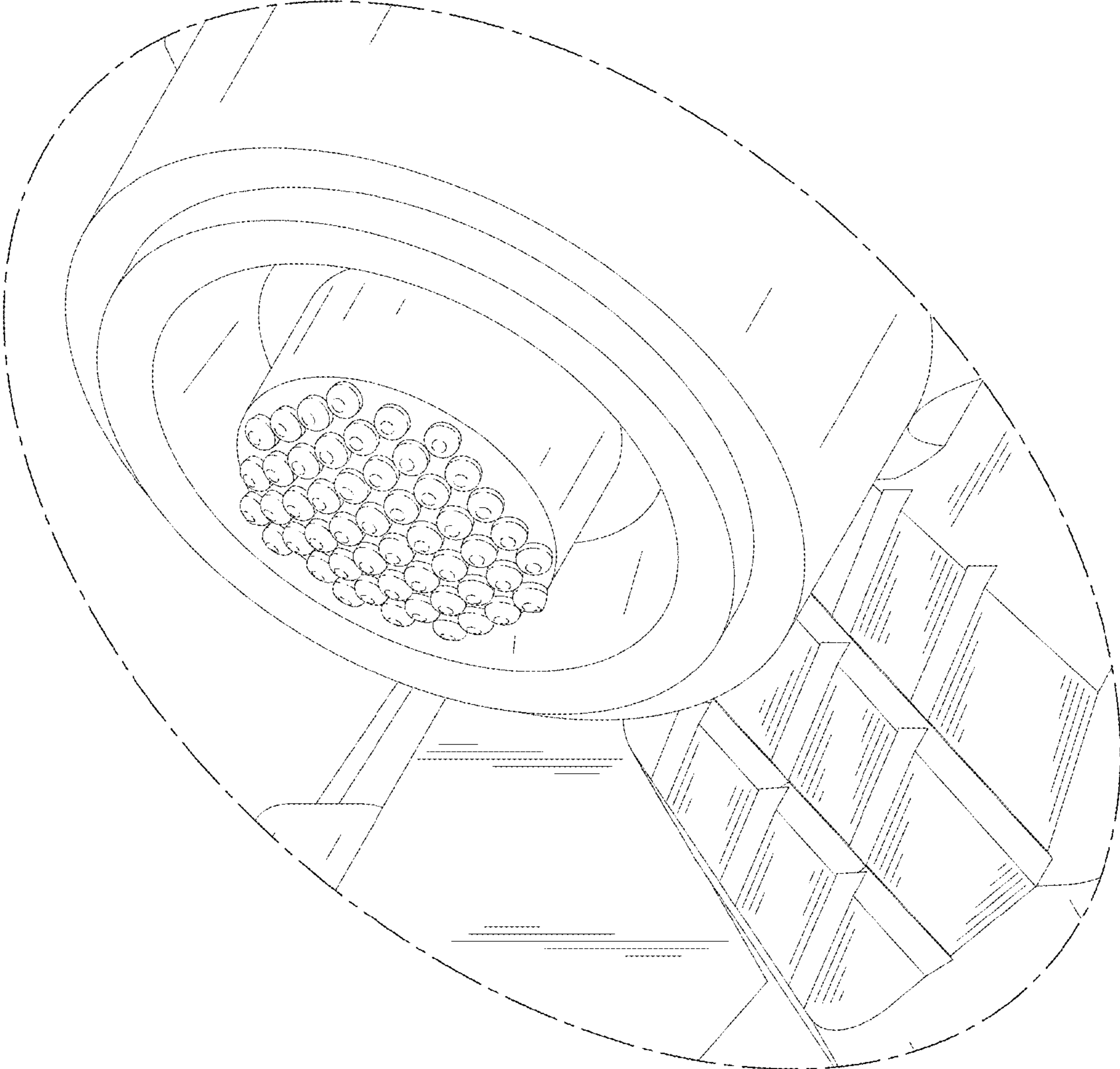


FIG. 13