



US00D982675S

(12) **United States Design Patent**
Lin

(10) **Patent No.:** **US D982,675 S**
(45) **Date of Patent:** **** Apr. 4, 2023**

- (54) **SHIELD WATER GUN**
- (71) Applicant: **Ruiqiang Lin**, Shantou (CN)
- (72) Inventor: **Ruiqiang Lin**, Shantou (CN)
- (**) Term: **15 Years**
- (21) Appl. No.: **29/848,229**
- (22) Filed: **Aug. 1, 2022**
- (51) **LOC (14) Cl.** **21-01**
- (52) **U.S. Cl.**
USPC **D21/572**
- (58) **Field of Classification Search**
USPC D21/570, 572-575; D29/100
CPC F41B 7/00; F41B 7/003; F41B 7/08; F41B
9/00; F41B 9/0078; F41B 9/0081; F41B
11/89; A63H 5/04
See application file for complete search history.

7,731,064 B2 *	6/2010	Chuang	B05B 9/01 239/525
D630,261 S *	1/2011	Mead	D21/483
D634,371 S *	3/2011	Mastin	D21/483
D903,789 S	12/2020	Zheng		
D944,336 S	2/2022	Ren		
D949,983 S	4/2022	Walter		
2005/0098577 A1 *	5/2005	Huy	F41B 9/0031 222/79

* cited by examiner

Primary Examiner — Cynthia M. Chin

(74) *Attorney, Agent, or Firm* — True Shepherd LLC;
Andrew C. Cheng

(57) **CLAIM**

The ornamental design for a shield water gun, as shown and described.

DESCRIPTION

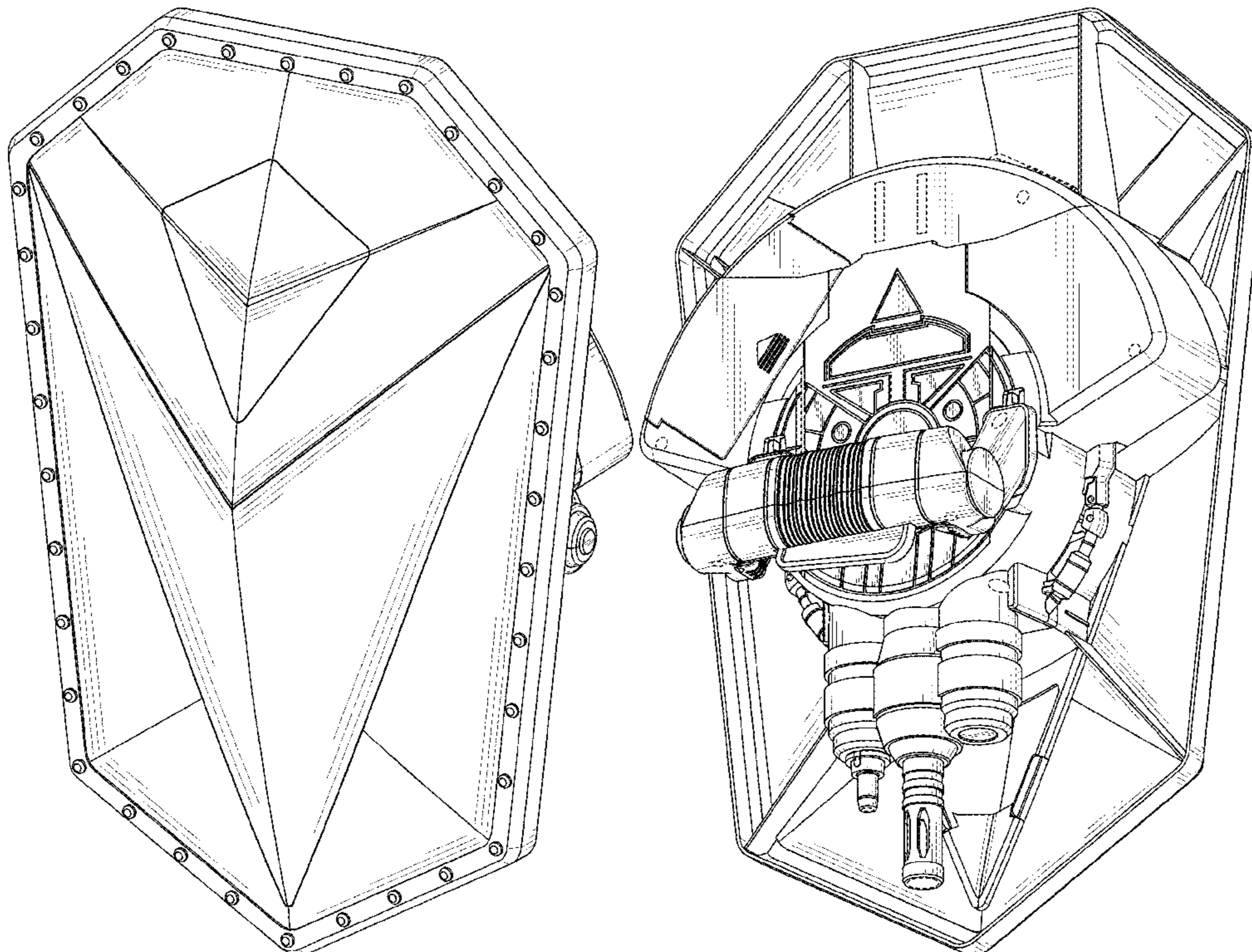
FIG. 1 is a perspective view of a shield water gun showing my new design;
 FIG. 2 is another perspective view thereof;
 FIG. 3 is a front view thereof;
 FIG. 4 is a rear view thereof;
 FIG. 5 is a left side view thereof;
 FIG. 6 is a right side view thereof;
 FIG. 7 is a top plan view thereof; and,
 FIG. 8 is a bottom plan view thereof.
 The broken lines depict portions of the shield water gun and that form no part of the claimed design.

1 Claim, 8 Drawing Sheets

(56) **References Cited**

U.S. PATENT DOCUMENTS

5,611,460 A *	3/1997	Rudell	A63F 7/045 222/78
D505,165 S *	5/2005	McBride	D21/572
D514,173 S *	1/2006	McBride	D21/572
D521,574 S *	5/2006	McBride	D21/572
D548,290 S *	8/2007	Chuang	D21/572
D548,805 S *	8/2007	Chuang	D21/572
D557,753 S *	12/2007	Chuang	D21/572
D588,213 S *	3/2009	Stadlbauer	D21/572
D588,214 S *	3/2009	Stadlbauer	D21/572
7,658,302 B2 *	2/2010	Berman	F41B 9/0018 124/66



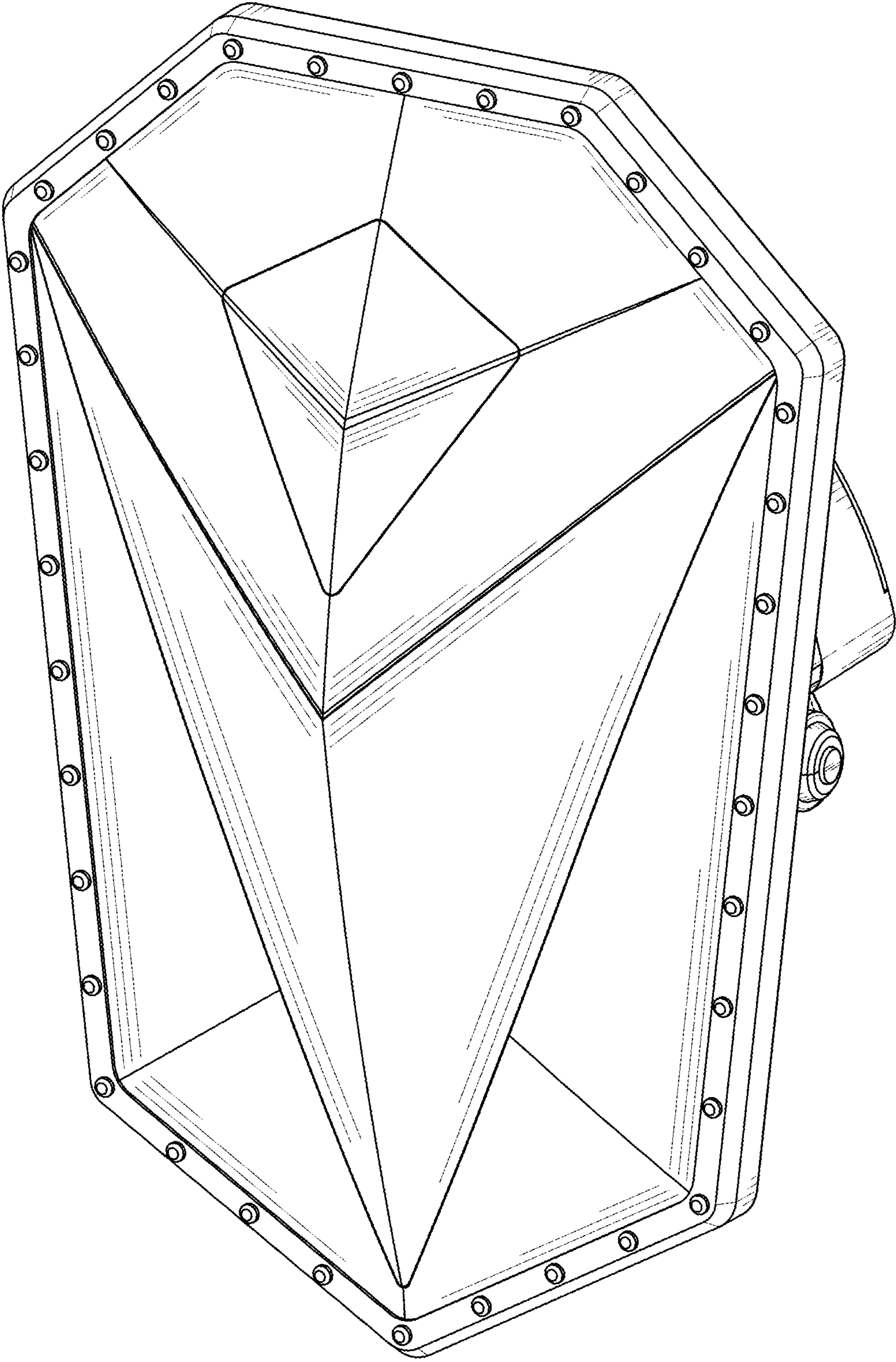


FIG. 1

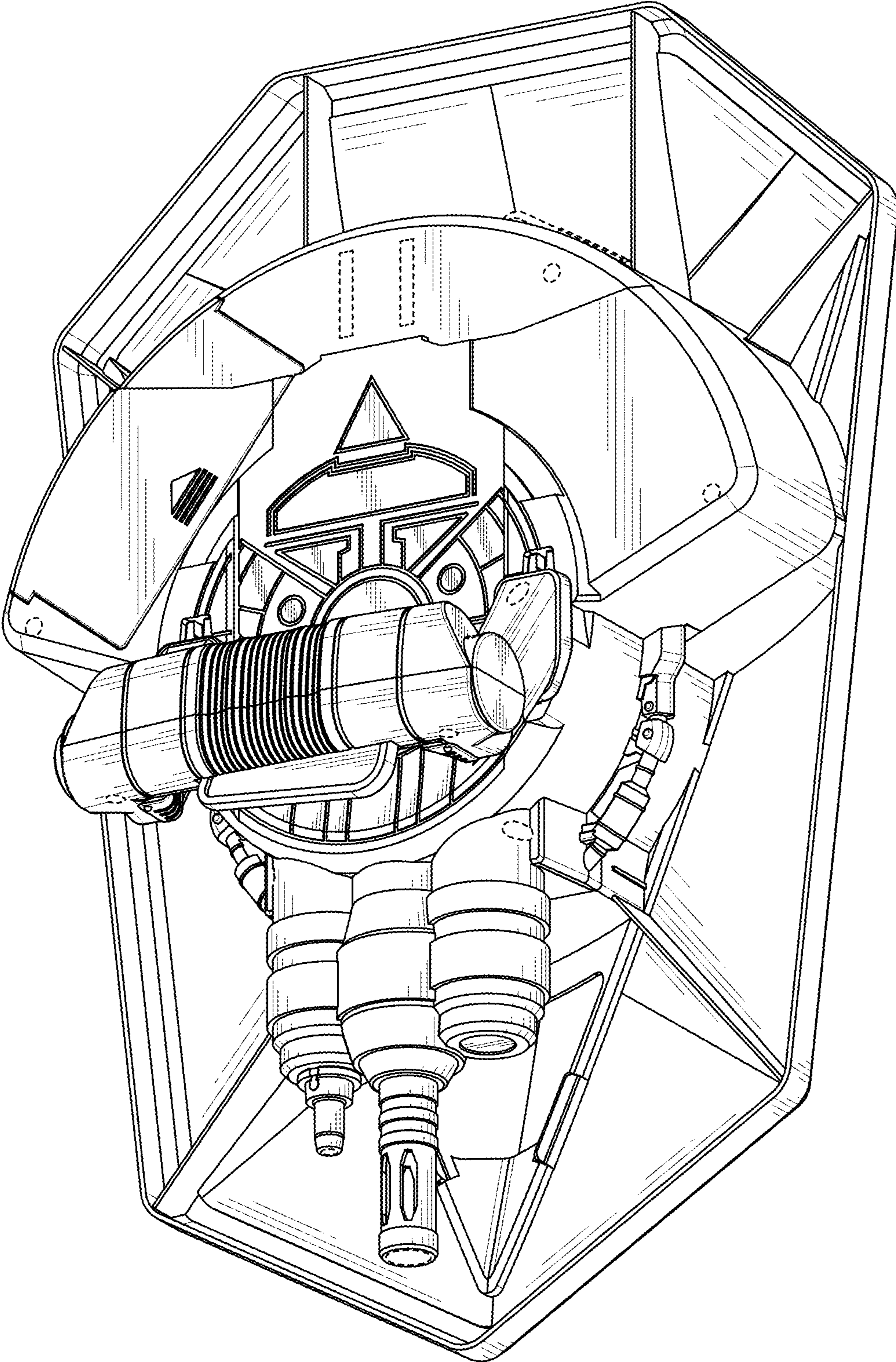


FIG. 2

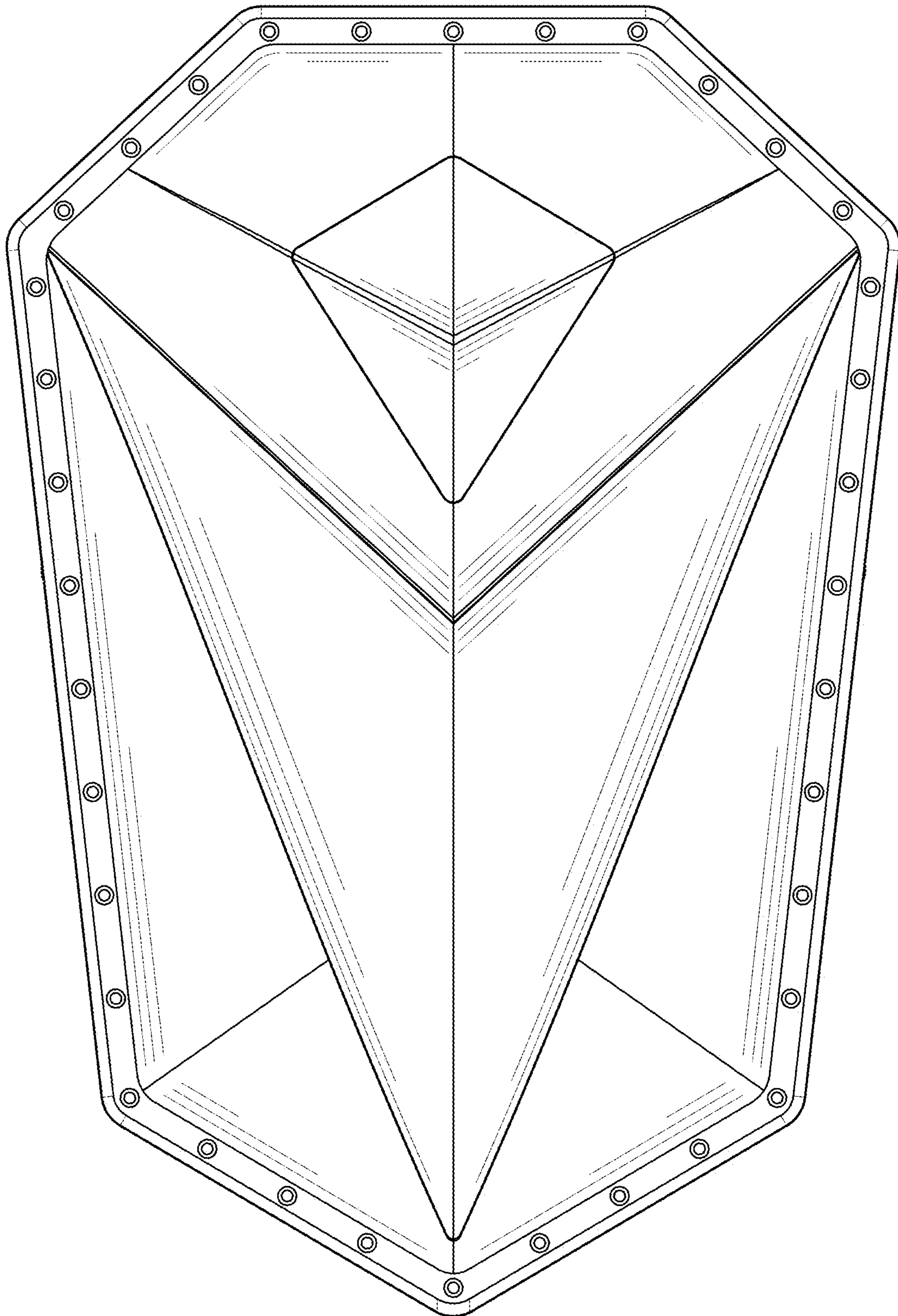


FIG. 3

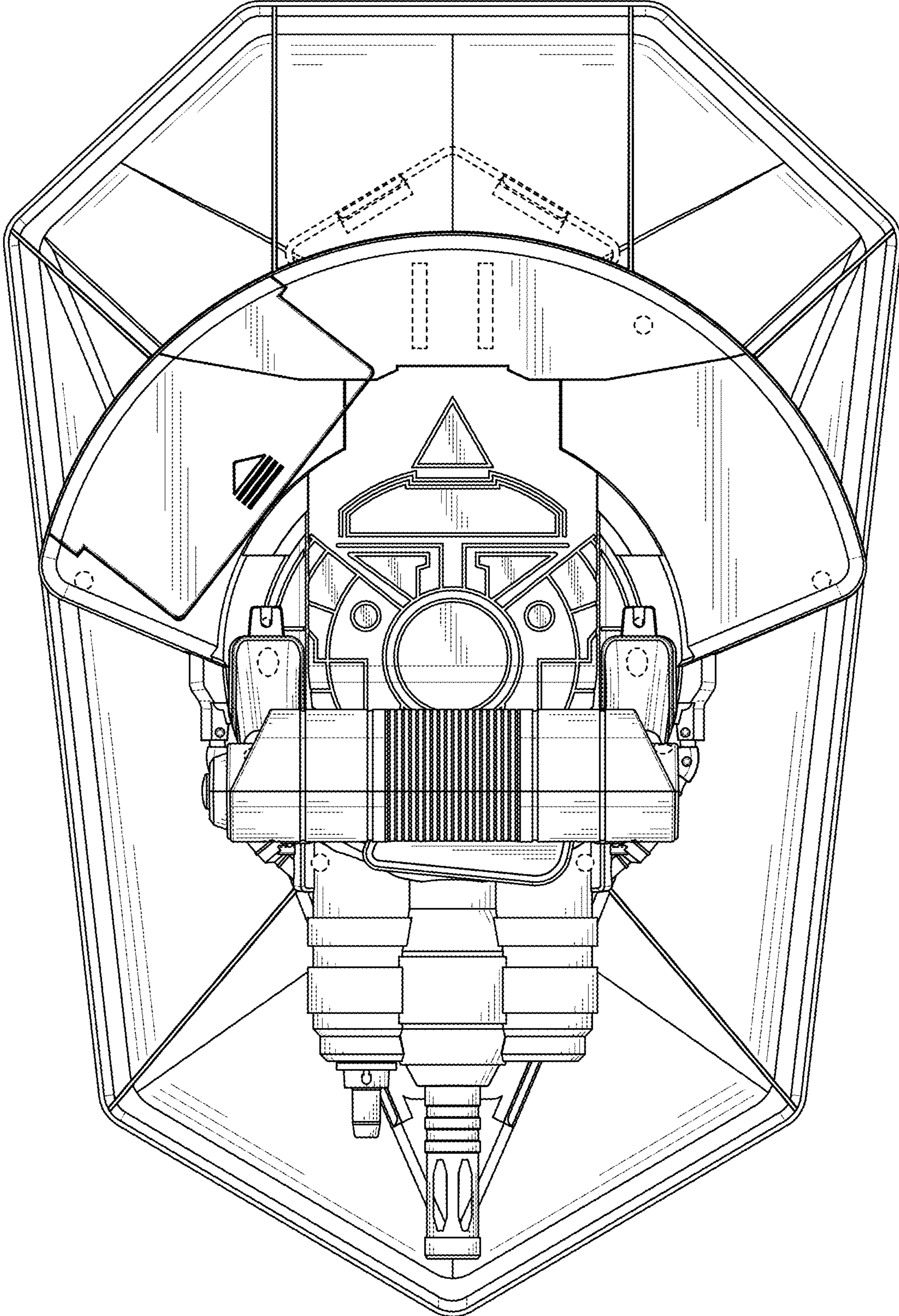


FIG. 4

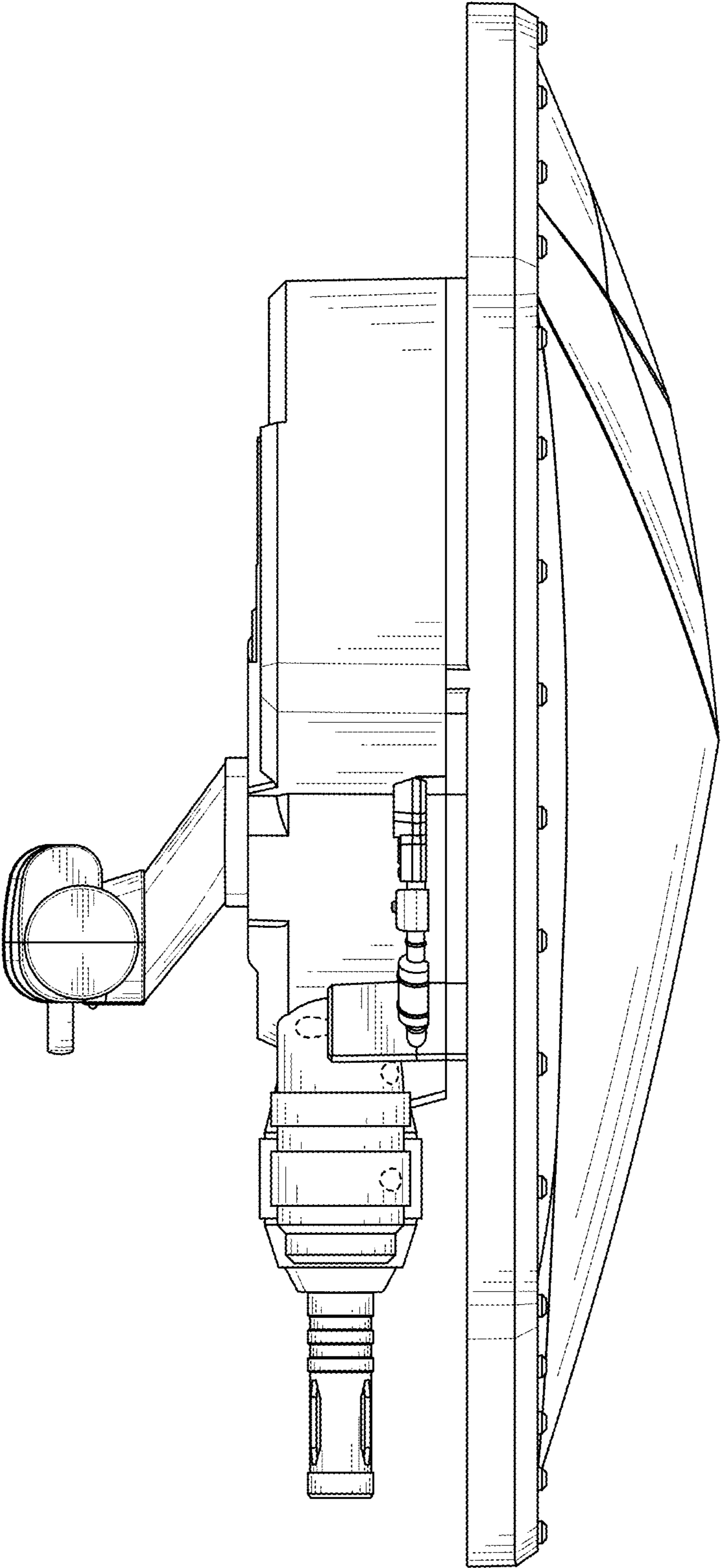


FIG. 5

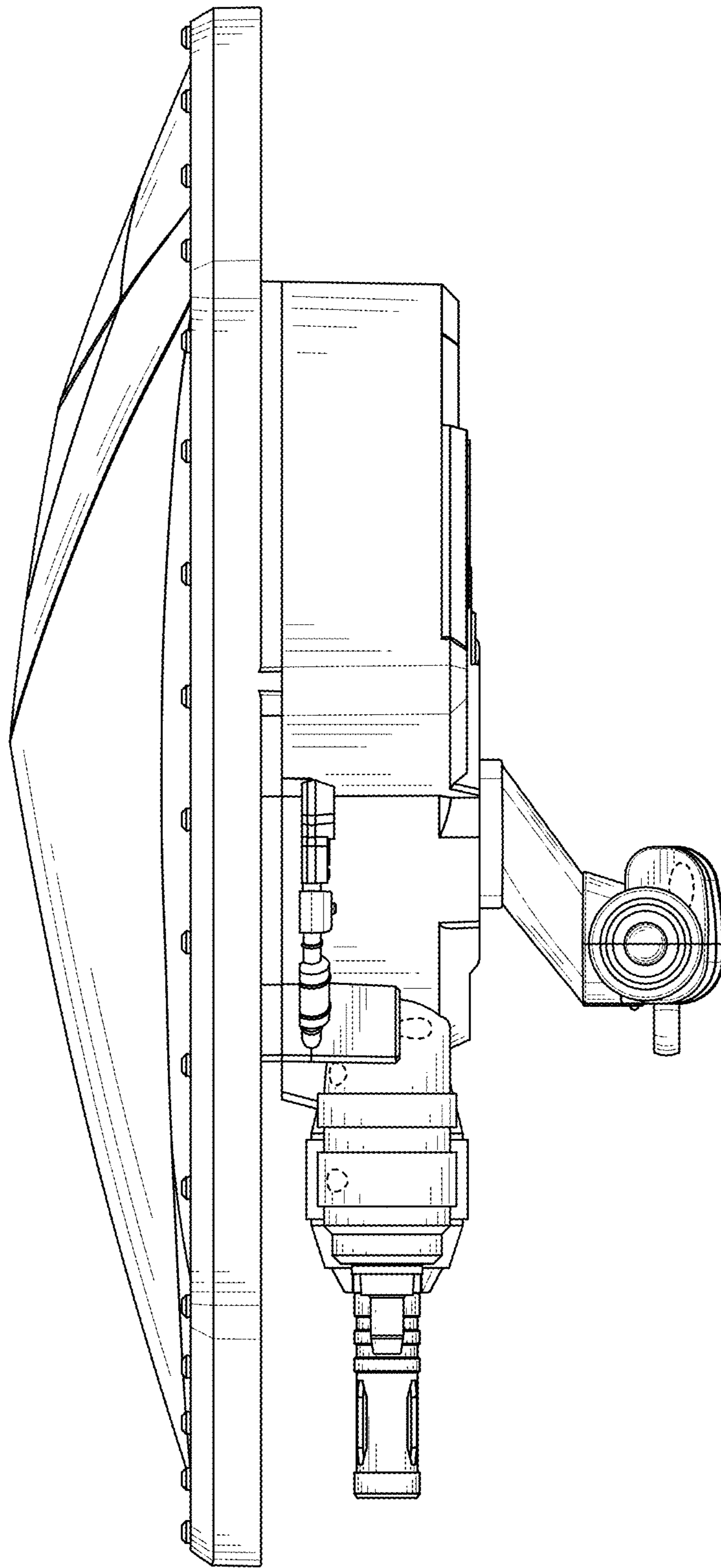


FIG. 6

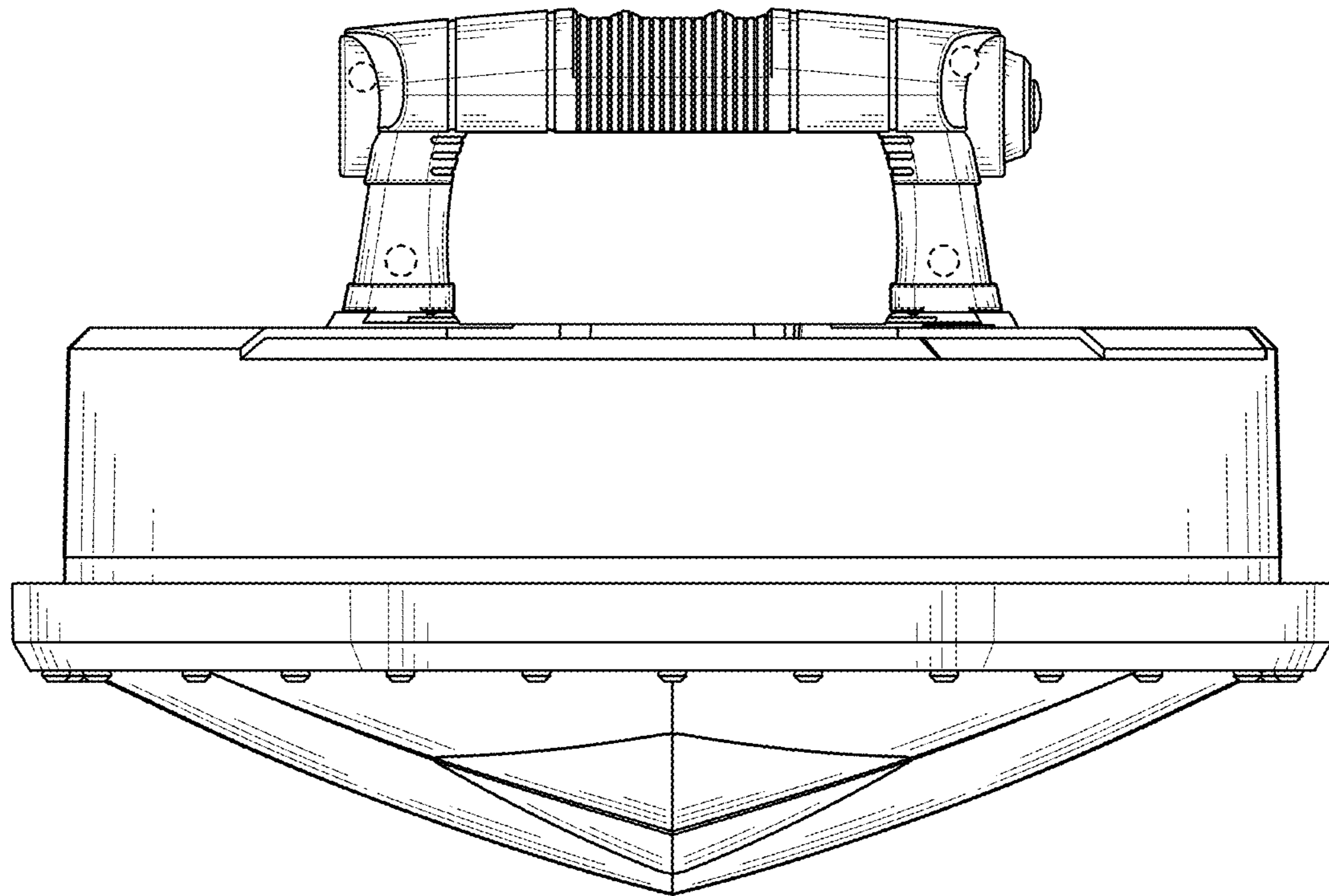


FIG. 7

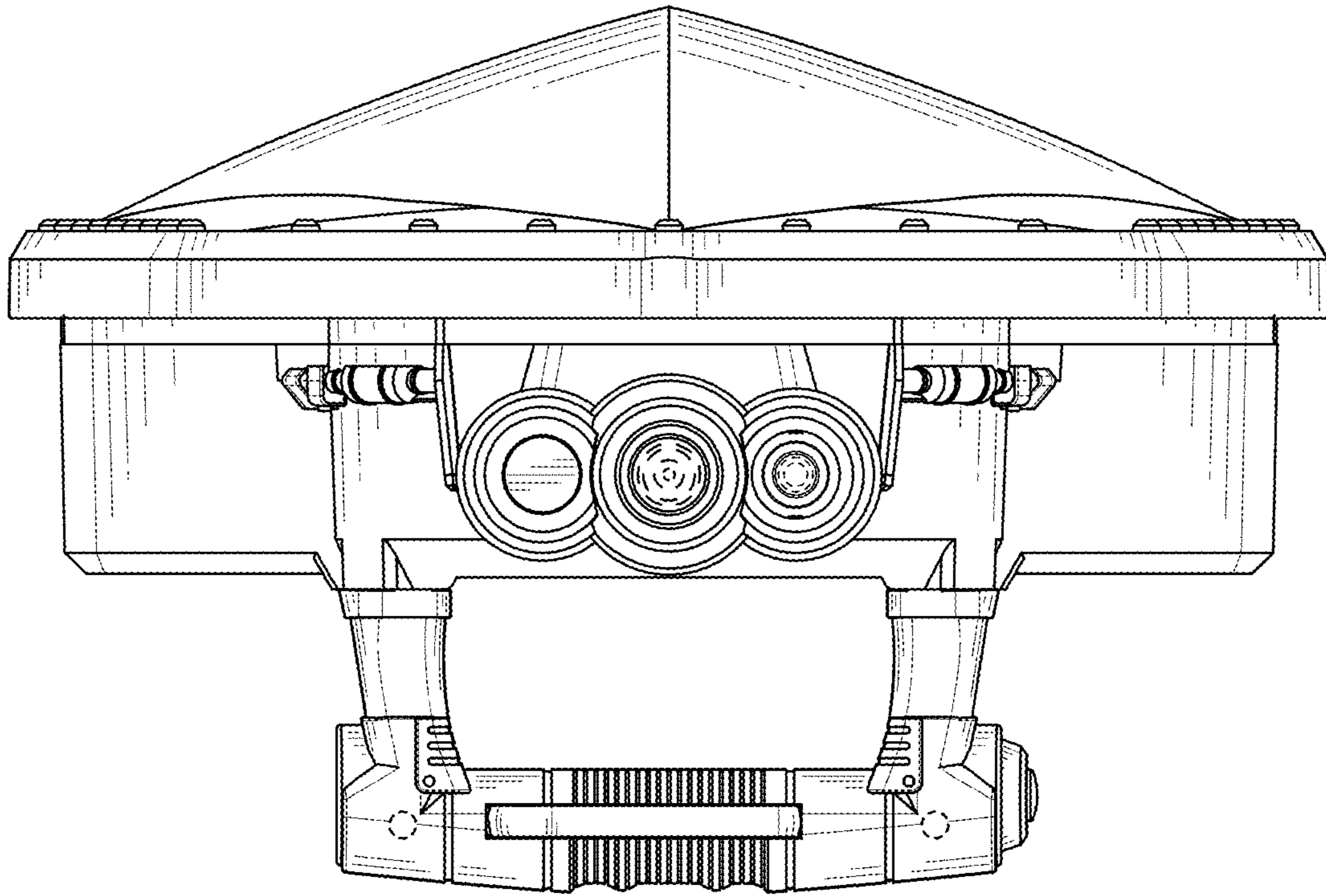


FIG. 8