



US00D982674S

(12) **United States Design Patent**
Andersen

(10) **Patent No.:** **US D982,674 S**

(45) **Date of Patent:** **** Apr. 4, 2023**

(54) **ELEMENT FOR A TOY BUILDING SET**

(71) Applicant: **Lego A/S, Billund (DK)**

(72) Inventor: **Henrik Andersen, Billund (DK)**

(73) Assignee: **LEGO A/S, Billund (DK)**

(**) Term: **15 Years**

(21) Appl. No.: **29/762,773**

(22) Filed: **Dec. 18, 2020**

(51) **LOC (14) Cl.** **21-01**

(52) **U.S. Cl.**
USPC **D21/504**

(58) **Field of Classification Search**
USPC D21/484-505
CPC A63H 33/04; A63H 33/06; A63H 33/062;
A63H 33/08; A63H 33/082; A63H
33/084; A63H 33/086; A63H 33/088
See application file for complete search history.

(56) **References Cited**

U.S. PATENT DOCUMENTS

D417,705 S * 12/1999 Rudy D21/501
D672,402 S * 12/2012 Macadam D21/491
D688,328 S * 8/2013 Holm D21/504

D688,753 S * 8/2013 Holm D21/504
D695,851 S * 12/2013 Holm D21/504
D696,360 S * 12/2013 Holm D21/484
D701,925 S * 4/2014 Jensen D21/504
D771,199 S * 11/2016 Ryaa D21/504
D797,204 S * 9/2017 Liu A63H 33/084
D21/504
D895,024 S * 9/2020 Beaulieu D21/488

* cited by examiner

Primary Examiner — Cynthia M. Chin

(74) *Attorney, Agent, or Firm* — Fross Zelnick Lehrman & Zissu, P.C.; Charles T. J. Weigell, Esq.

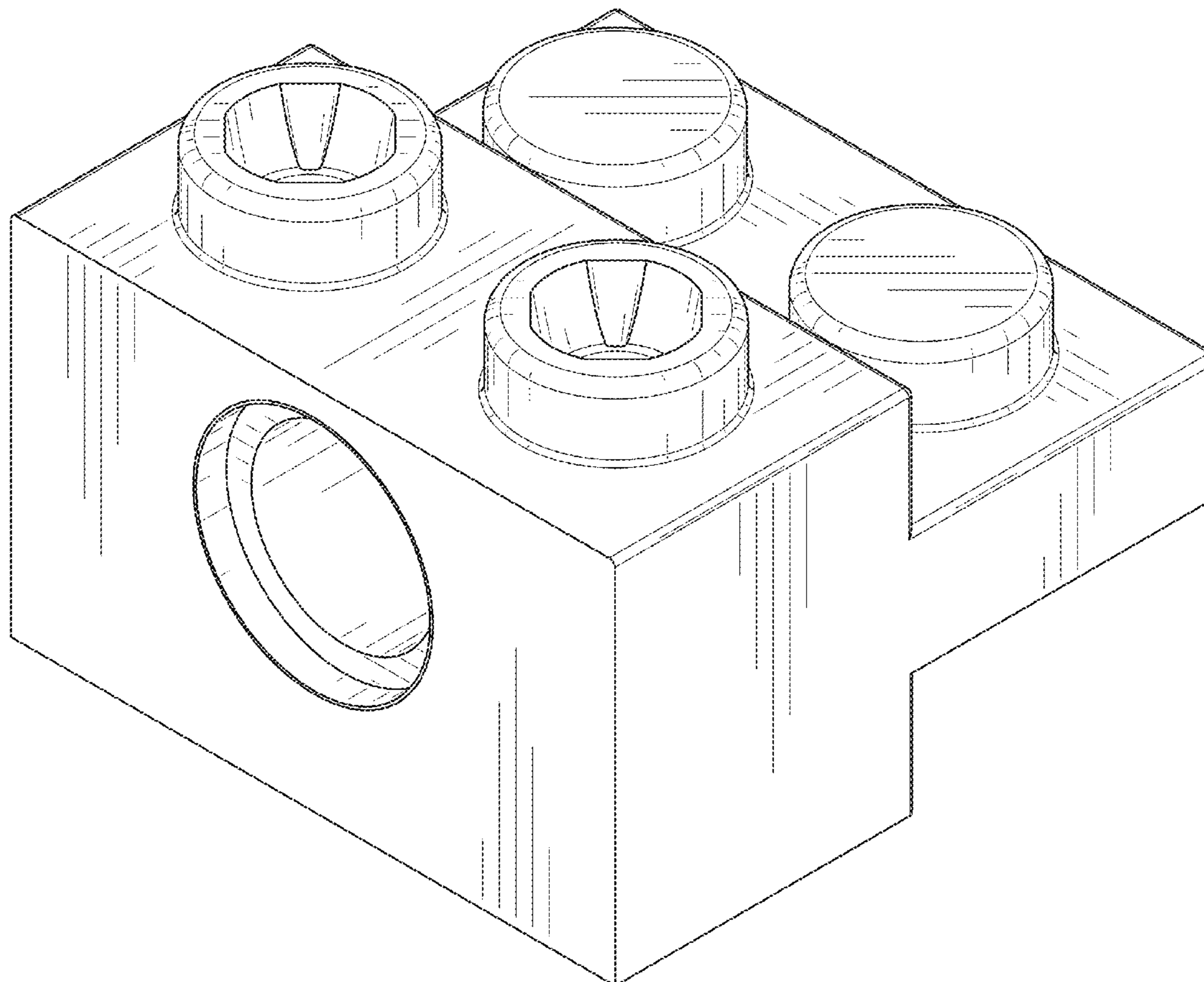
(57) **CLAIM**

The ornamental design for an element for a toy building set, as shown and described.

DESCRIPTION

FIG. 1 is a front perspective view of the element for a toy building set showing my new design; FIG. 2 is a front view thereof; FIG. 3 is a back view thereof; FIG. 4 is a right side view thereof; FIG. 5 is a left side view thereof; FIG. 6 is a top view thereof; and, FIG. 7 is a bottom view thereof. The portions of the element for a toy building set shown in broken lines form no part of the claimed design.

1 Claim, 7 Drawing Sheets



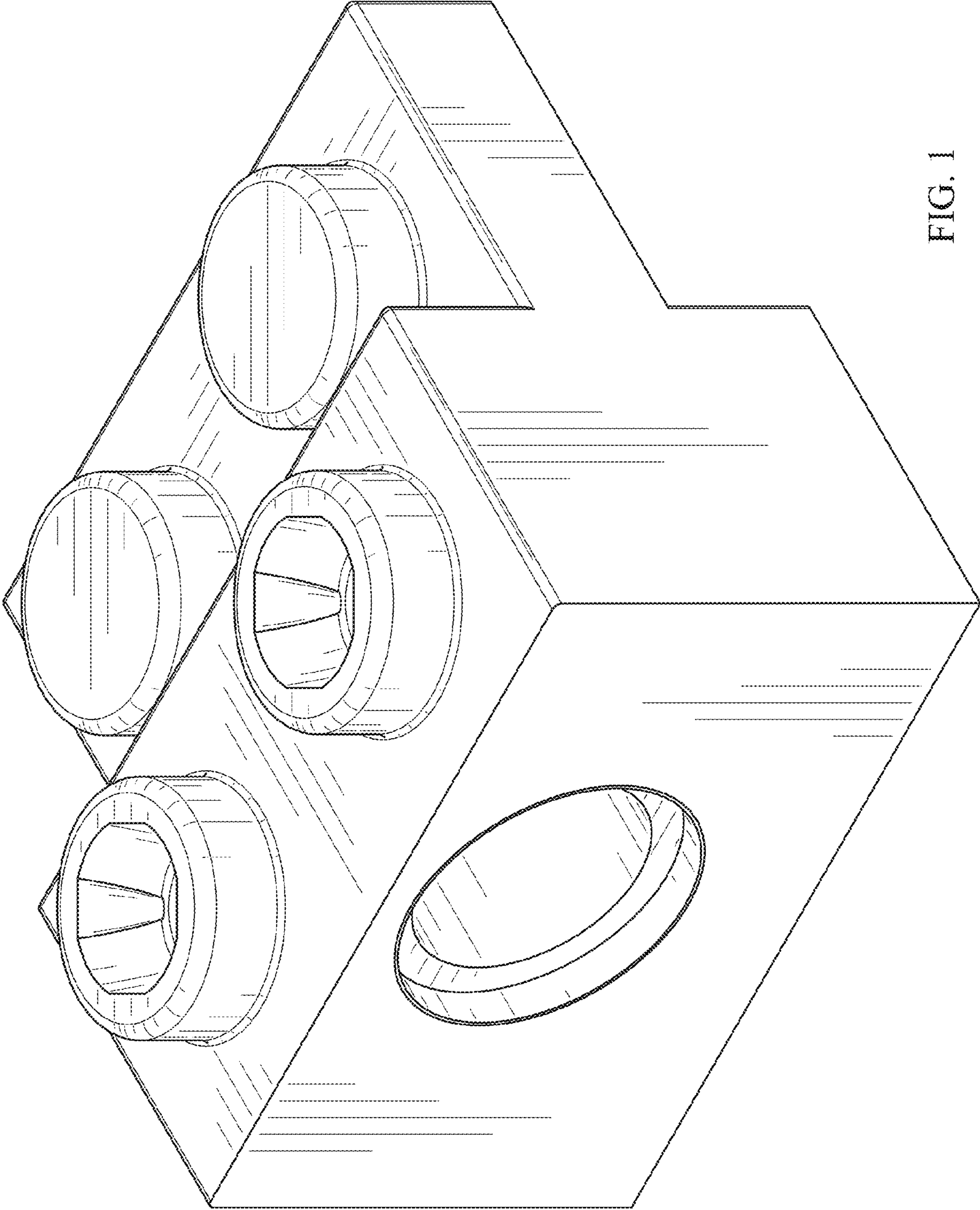


FIG. 1

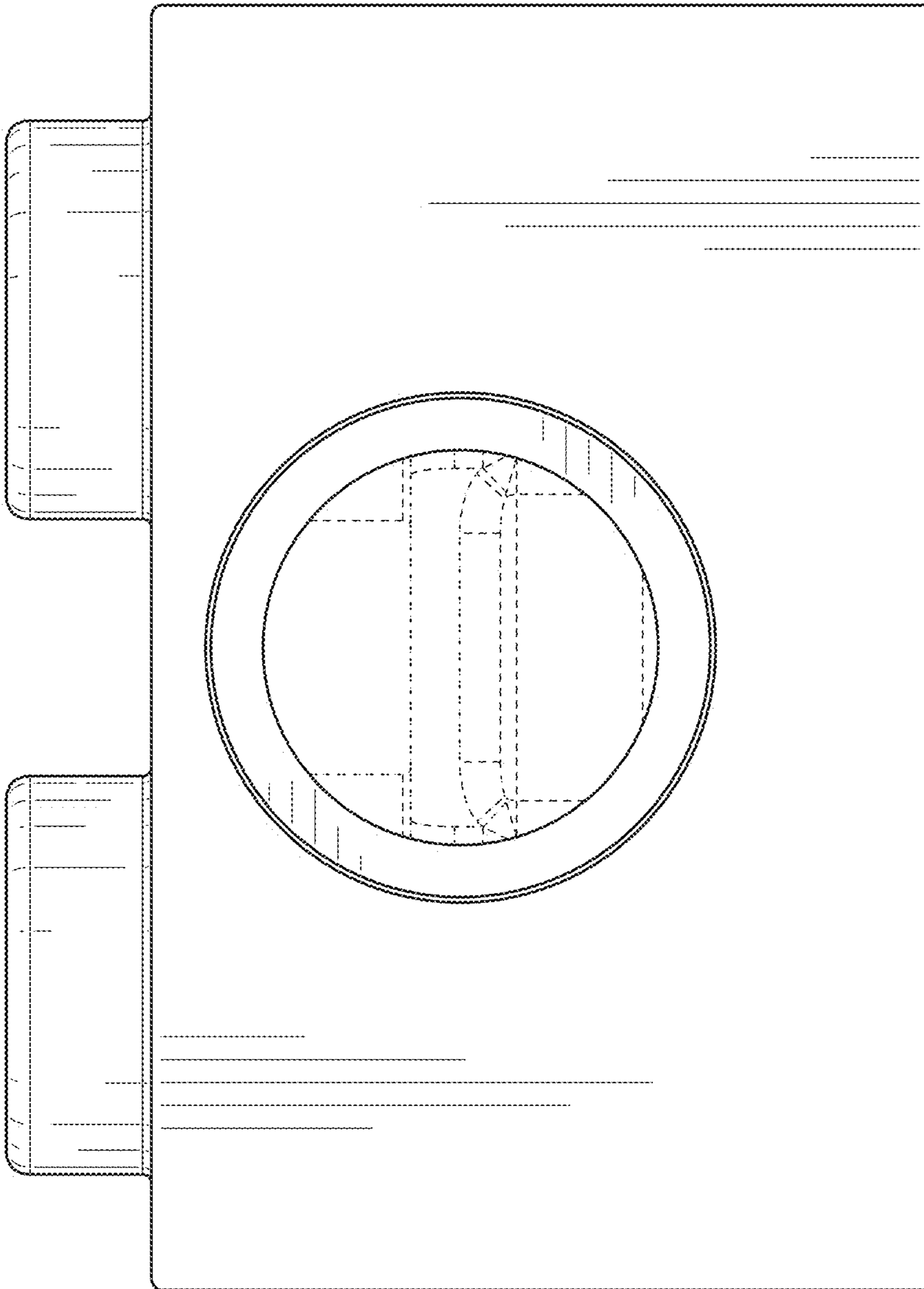


FIG. 2

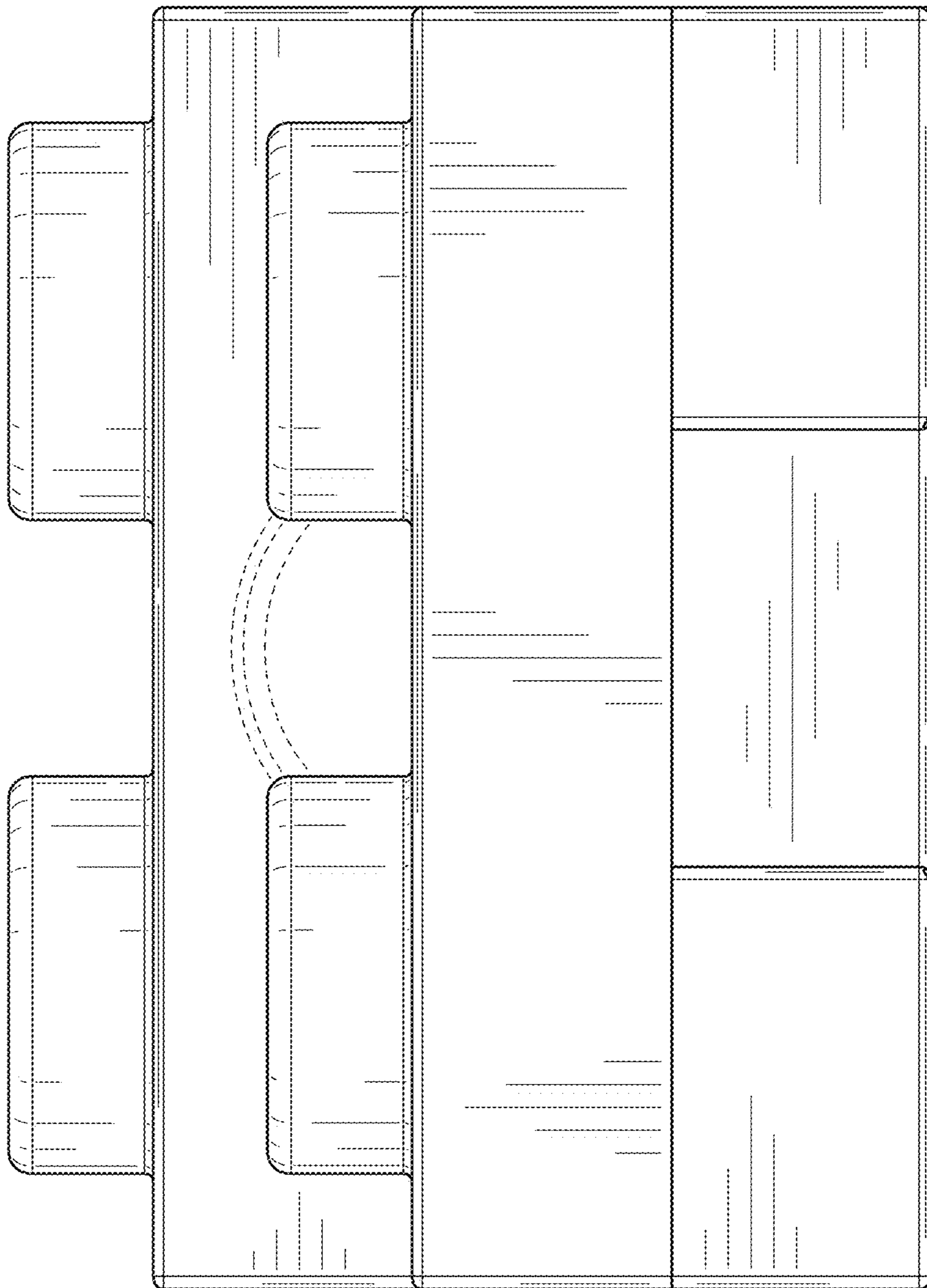


FIG. 3

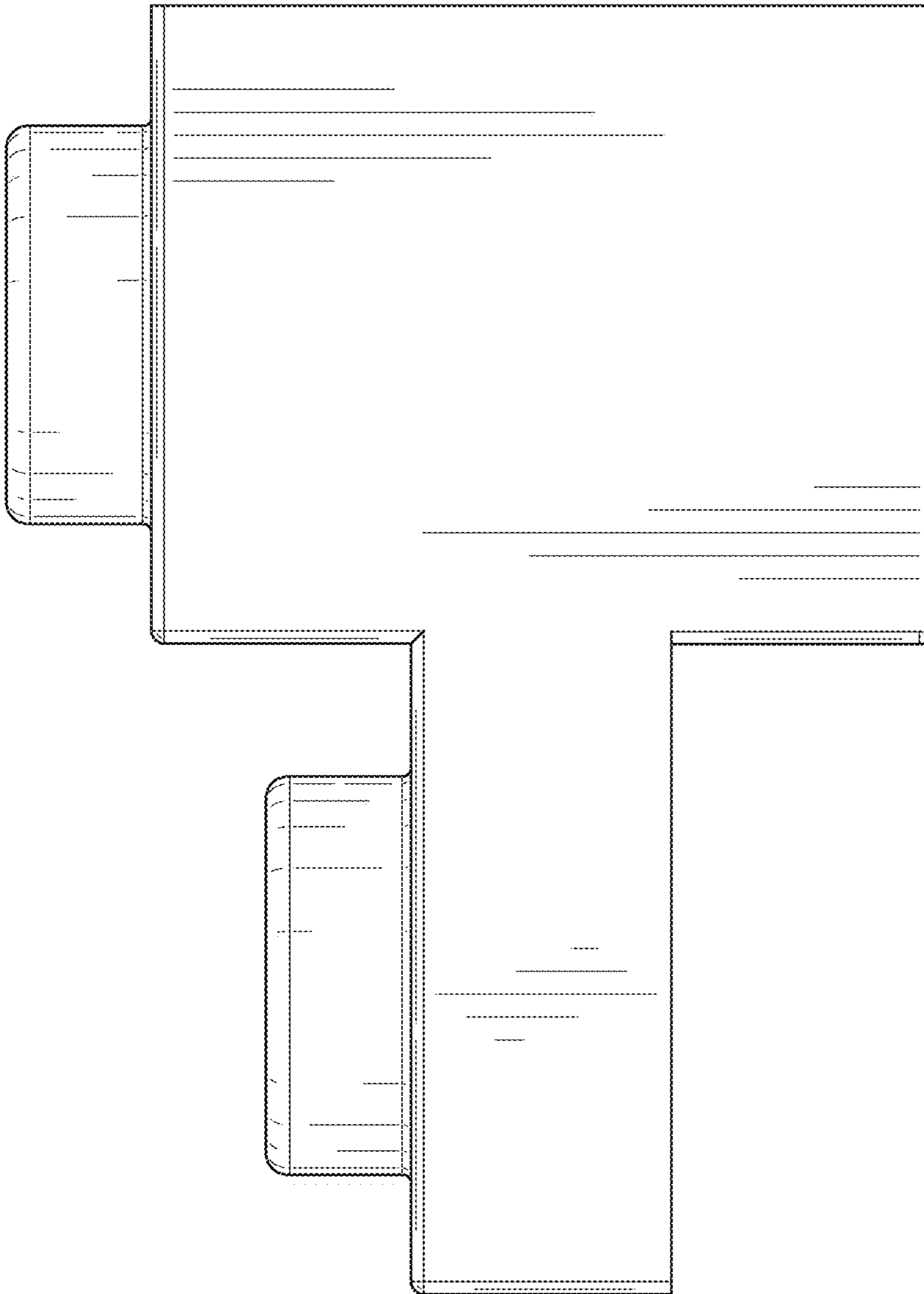


FIG. 4

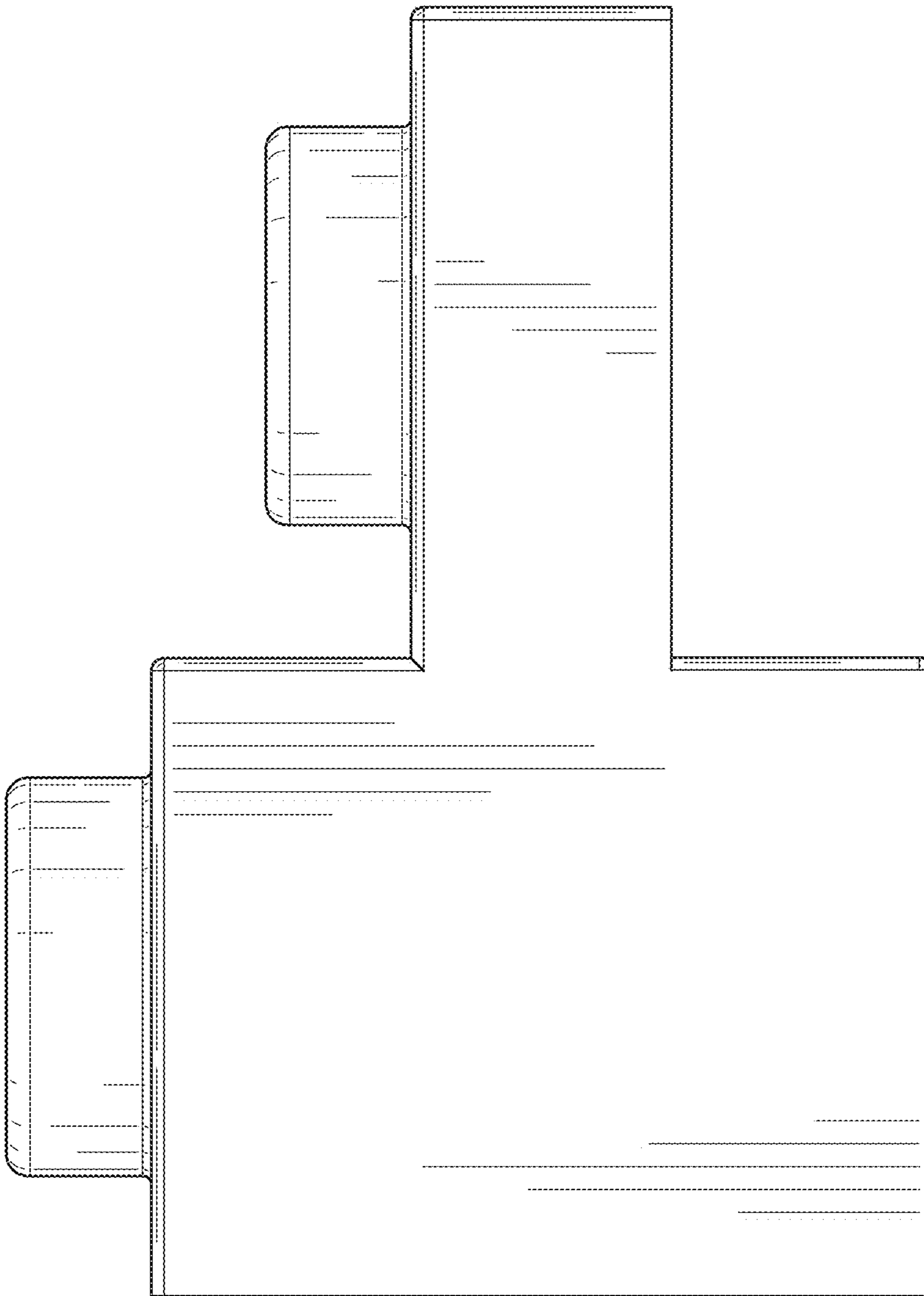


FIG. 5

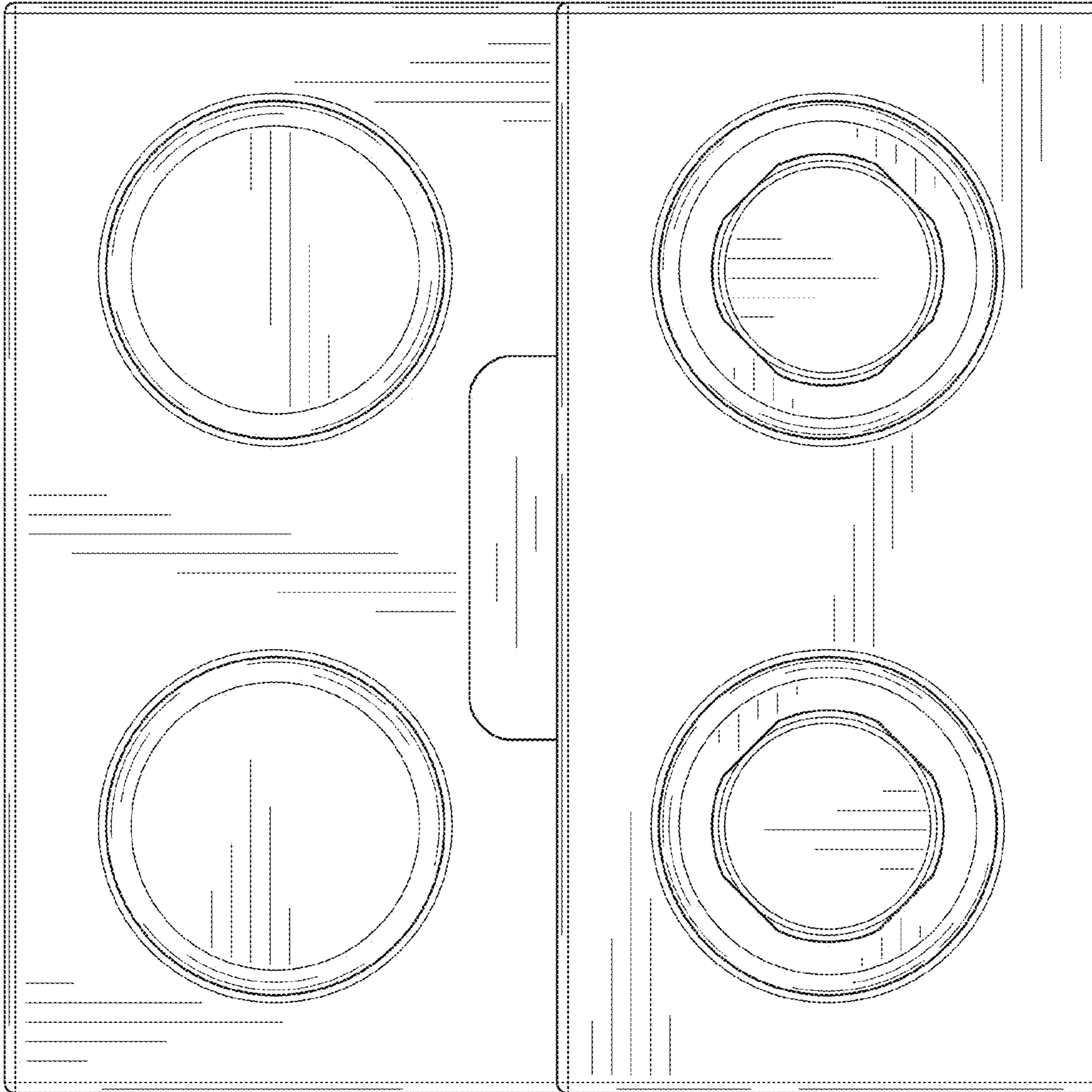


FIG. 6

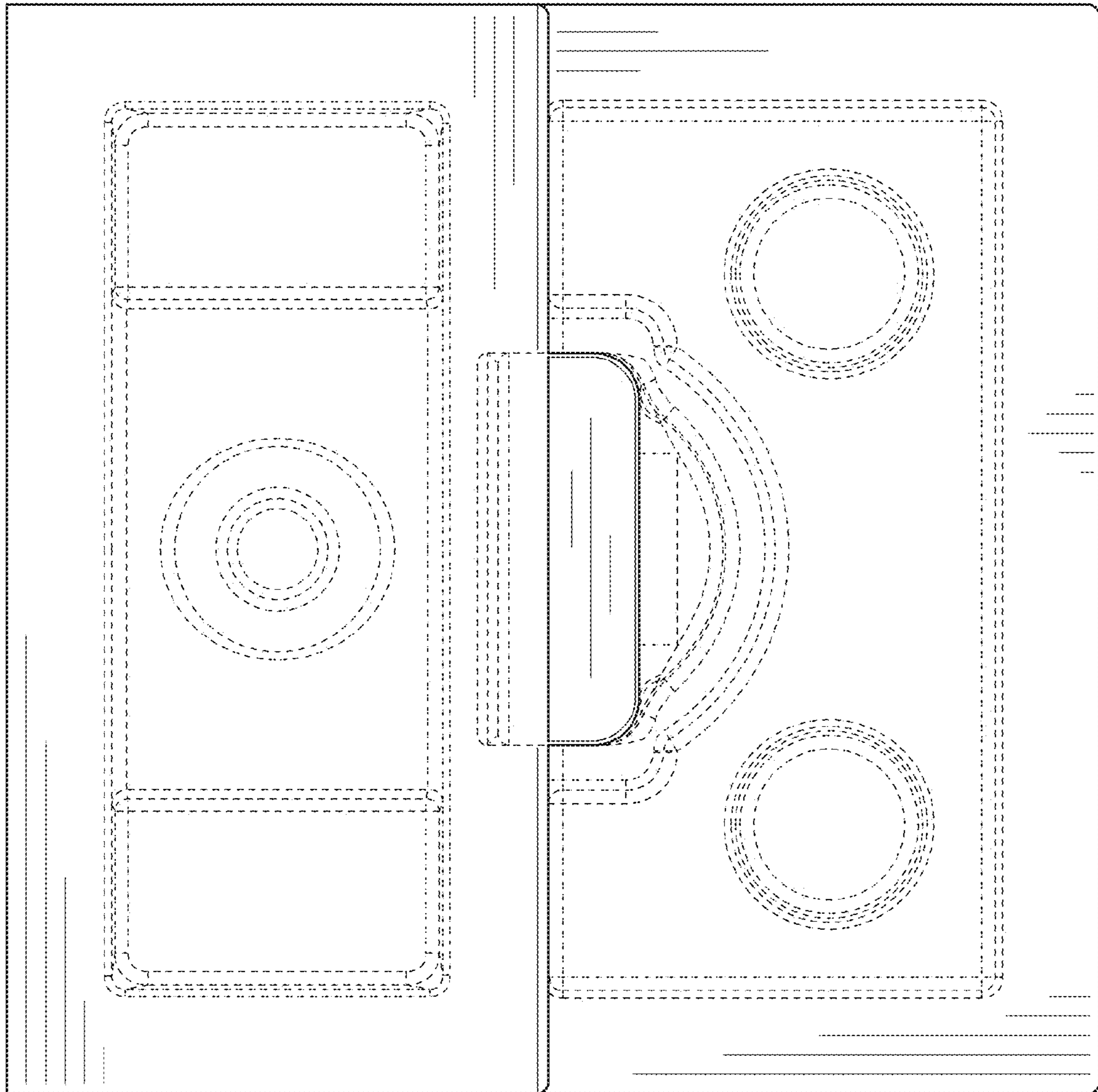


FIG. 7