



US00D982673S

(12) **United States Design Patent**
Chen

(10) **Patent No.:** **US D982,673 S**

(45) **Date of Patent:** **** Apr. 4, 2023**

- (54) **EARLY EDUCATION TOY**
- (71) Applicant: **Shantou Chenghai Bingsheng Plastic Factory, Guangdong (CN)**
- (72) Inventor: **Xuanwei Chen, Guangdong (CN)**
- (73) Assignee: **Shantou Chenghai Bingsheng Plastic Factory, Shantou (CN)**
- (**) Term: **15 Years**
- (21) Appl. No.: **29/868,457**
- (22) Filed: **Dec. 2, 2022**
- (51) **LOC (14) Cl.** **21-01**
- (52) **U.S. Cl.**
USPC **D21/475**
- (58) **Field of Classification Search**
USPC D21/405, 470, 479, 468, 473, 474, 475,
D21/478, 481, 482, 398; D19/59-64
CPC A63F 2009/0668; A63F 2009/1216; A63H
5/00; A63H 33/00; A63H 33/26; A63H
1/32; A63H 37/005; G09B 25/00; G09B
7/00
See application file for complete search history.

D359,532 S *	6/1995	Bro	D21/470
D391,999 S *	3/1998	Chinini	D21/475
D413,149 S *	8/1999	Chan	D21/475
D565,274 S *	3/2008	Pickering	D99/40
D629,175 S *	12/2010	McMaster	D99/40
D834,654 S *	11/2018	Weisman	D23/222
D843,492 S *	3/2019	Brand	D21/475
D918,309 S *	5/2021	Xu	D21/475
D921,118 S *	6/2021	Yu	D21/350
D924,336 S *	7/2021	Yu	D21/341
D924,980 S *	7/2021	Yu	D21/341
D931,379 S *	9/2021	Xu	D21/475
D937,358 S *	11/2021	Chen	D21/348
D937,359 S *	11/2021	Chen	D21/360
D938,526 S *	12/2021	Zhang	D21/475
D941,398 S *	1/2022	Zhang	D21/468
D943,026 S *	2/2022	Yu	D21/350
D943,679 S *	2/2022	Huang	D21/468
D946,660 S *	3/2022	Deng	D21/350
D952,748 S *	5/2022	Li	D21/350
D960,251 S *	8/2022	Luo	D21/468
D960,252 S *	8/2022	Shi	D21/468
D967,282 S *	10/2022	He	D21/468

(Continued)

Primary Examiner — Ryan Harvey

(57) **CLAIM**

The ornamental design for an early education toy, as shown and described.

DESCRIPTION

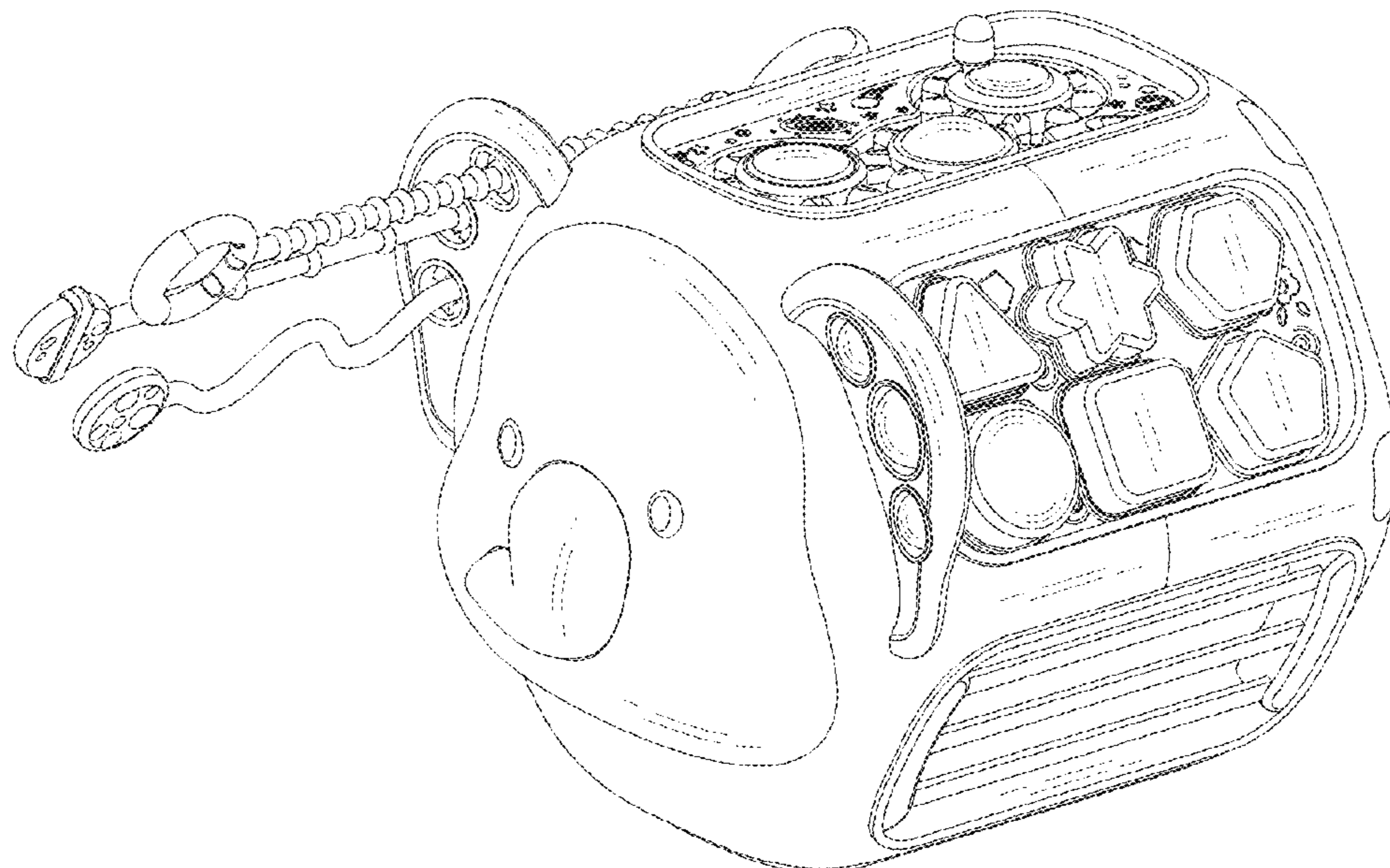
FIG. 1 is a top, front, right side perspective view of an early education toy, showing my new design;
 FIG. 2 is a bottom, back, left side perspective view thereof;
 FIG. 3 is a front elevational view thereof;
 FIG. 4 is a back elevational view thereof;
 FIG. 5 is a left side elevational view thereof;
 FIG. 6 is a right side elevational view thereof;
 FIG. 7 is a top plan view thereof; and,
 FIG. 8 is a bottom plan view thereof.

1 Claim, 8 Drawing Sheets

(56) **References Cited**

U.S. PATENT DOCUMENTS

83,023 A	6/1958	Schnur	
D219,216 S	11/1970	Speers	
4,149,717 A *	4/1979	Seijiro A63F 9/12 434/259
D251,993 S *	5/1979	Birdsall D21/499
D280,649 S *	9/1985	Iwabuchi D21/475
D296,451 S *	6/1988	Ming D21/470
D319,082 S *	8/1991	Harris D21/470
5,292,276 A *	3/1994	Manalo A63H 5/00 434/258
D348,483 S *	7/1994	Chow D21/324



(56)

References Cited

U.S. PATENT DOCUMENTS

D968,080	S	*	11/2022	Lin	D21/468
D969,222	S	*	11/2022	Li	D21/360
D969,230	S	*	11/2022	Dai	D21/615
D970,637	S	*	11/2022	Yang	D21/468
D970,640	S	*	11/2022	Yang	D21/468
D970,641	S	*	11/2022	Luo	D21/468
D970,642	S	*	11/2022	Luo	D21/468
D970,643	S	*	11/2022	Shi	D21/468
D970,644	S	*	11/2022	Shi	D21/468
D970,645	S	*	11/2022	Shi	D21/468
D972,634	S	*	12/2022	Nobrega	D19/60
2006/0093995	A1	*	5/2006	Brown	G09B 1/36 434/171

* cited by examiner

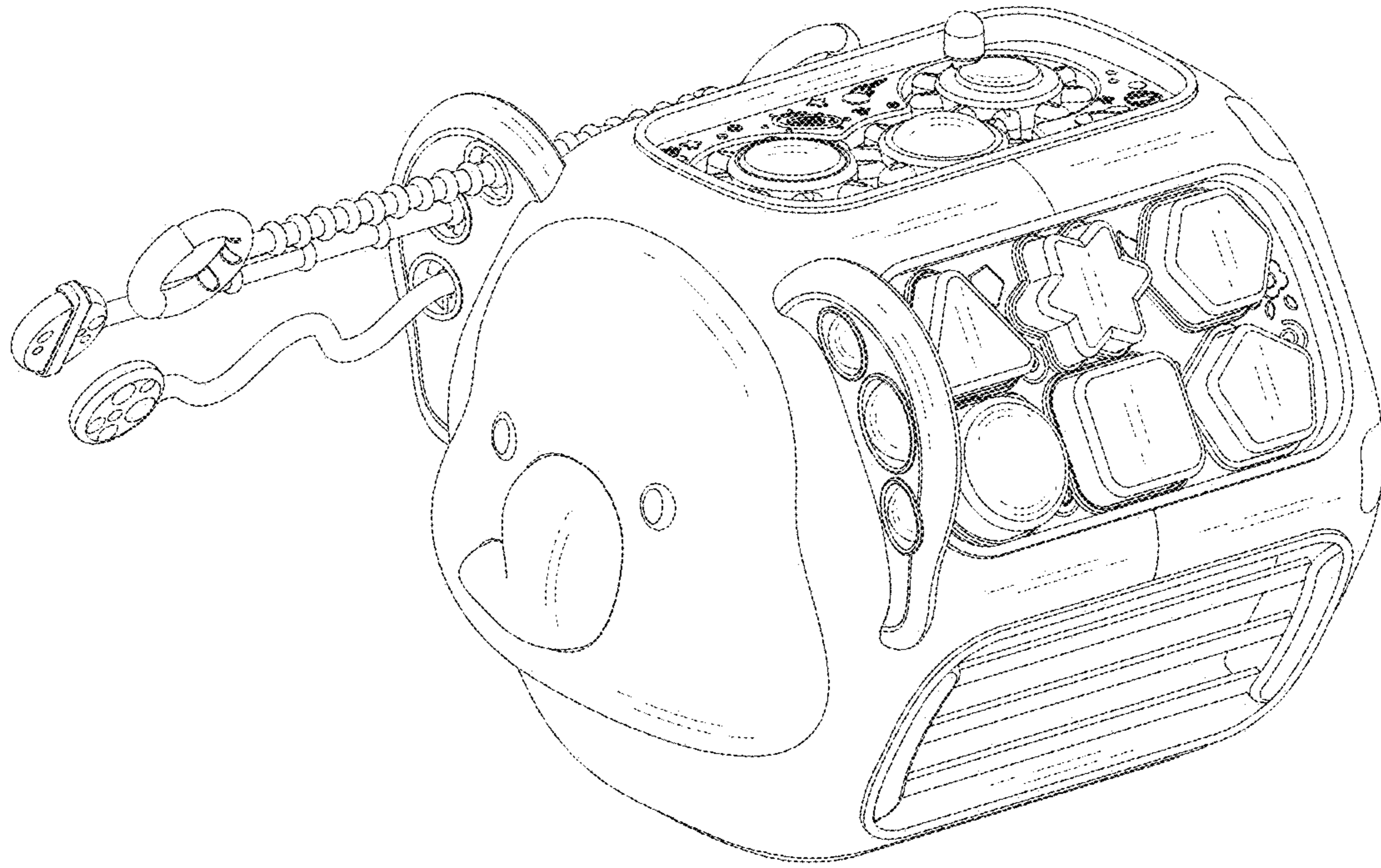


FIG. 1

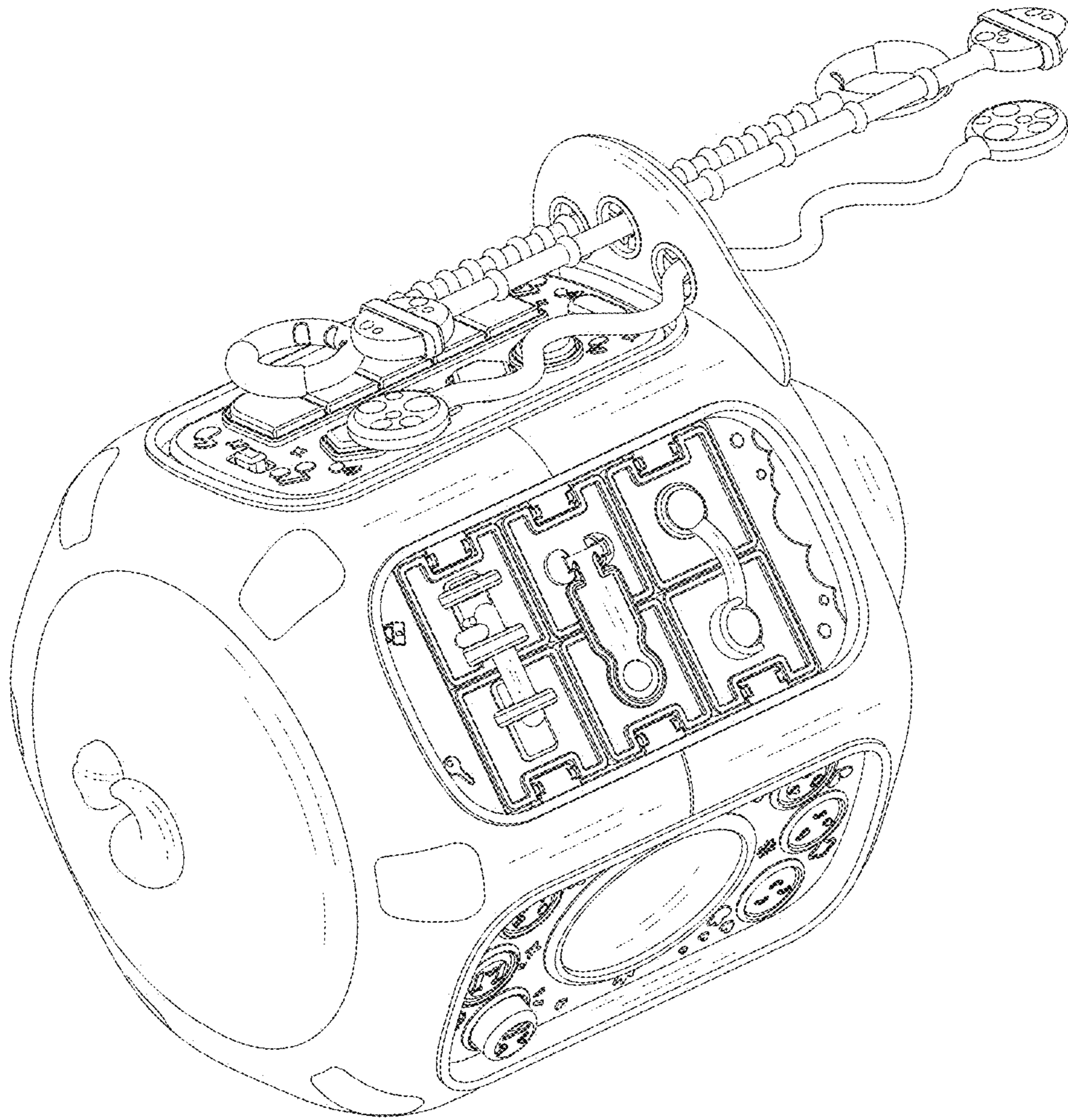


FIG. 2

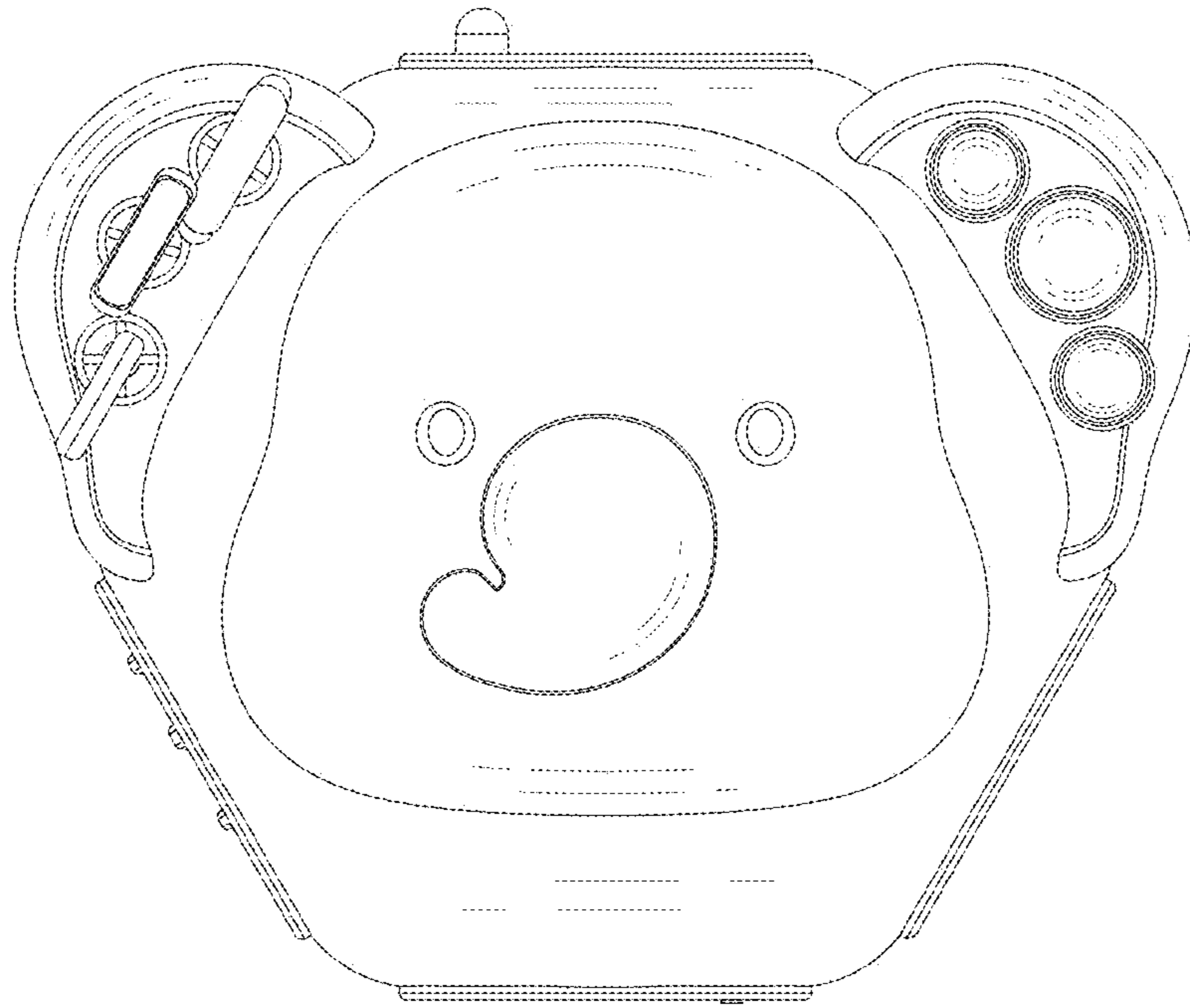


FIG. 3

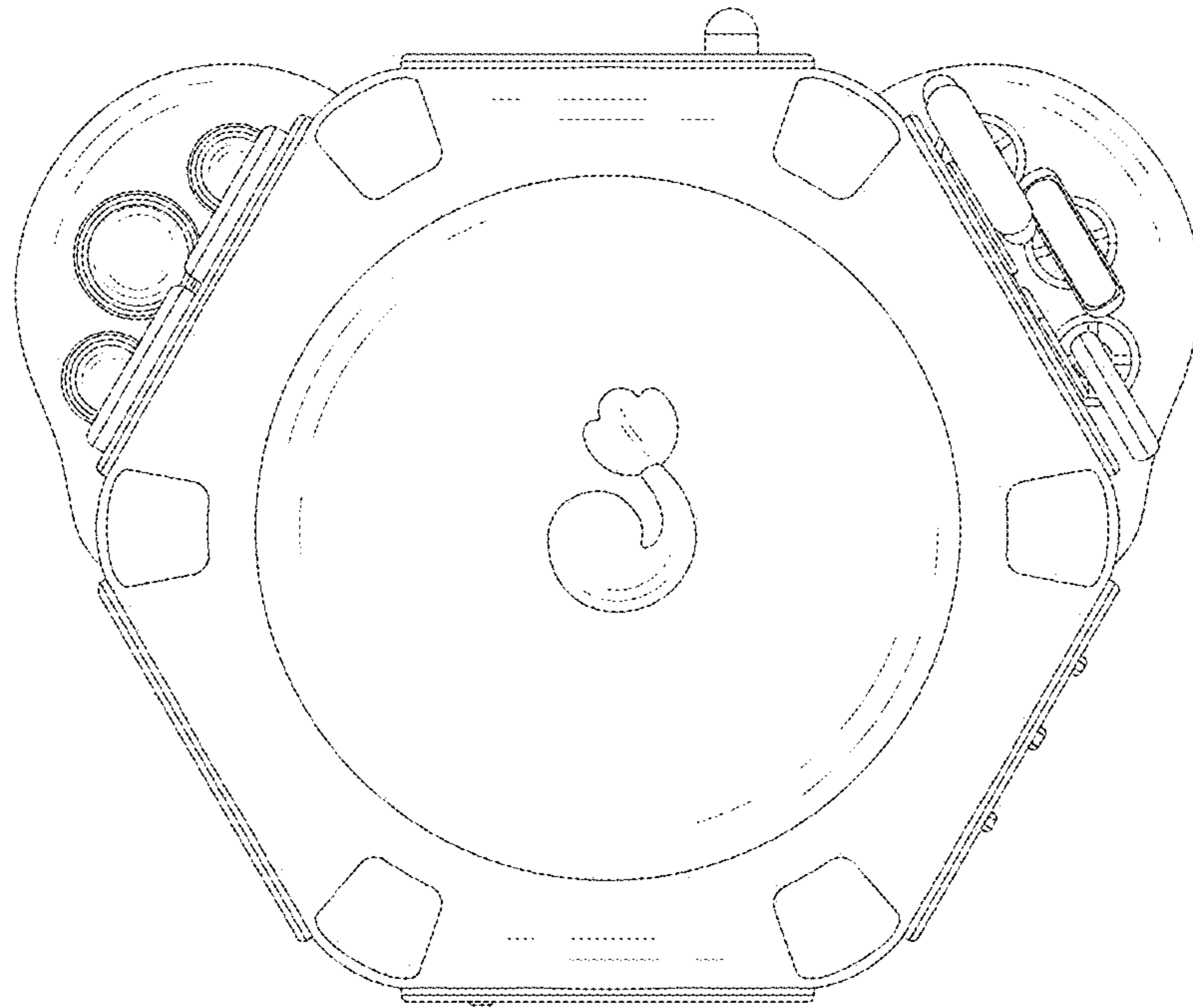


FIG. 4

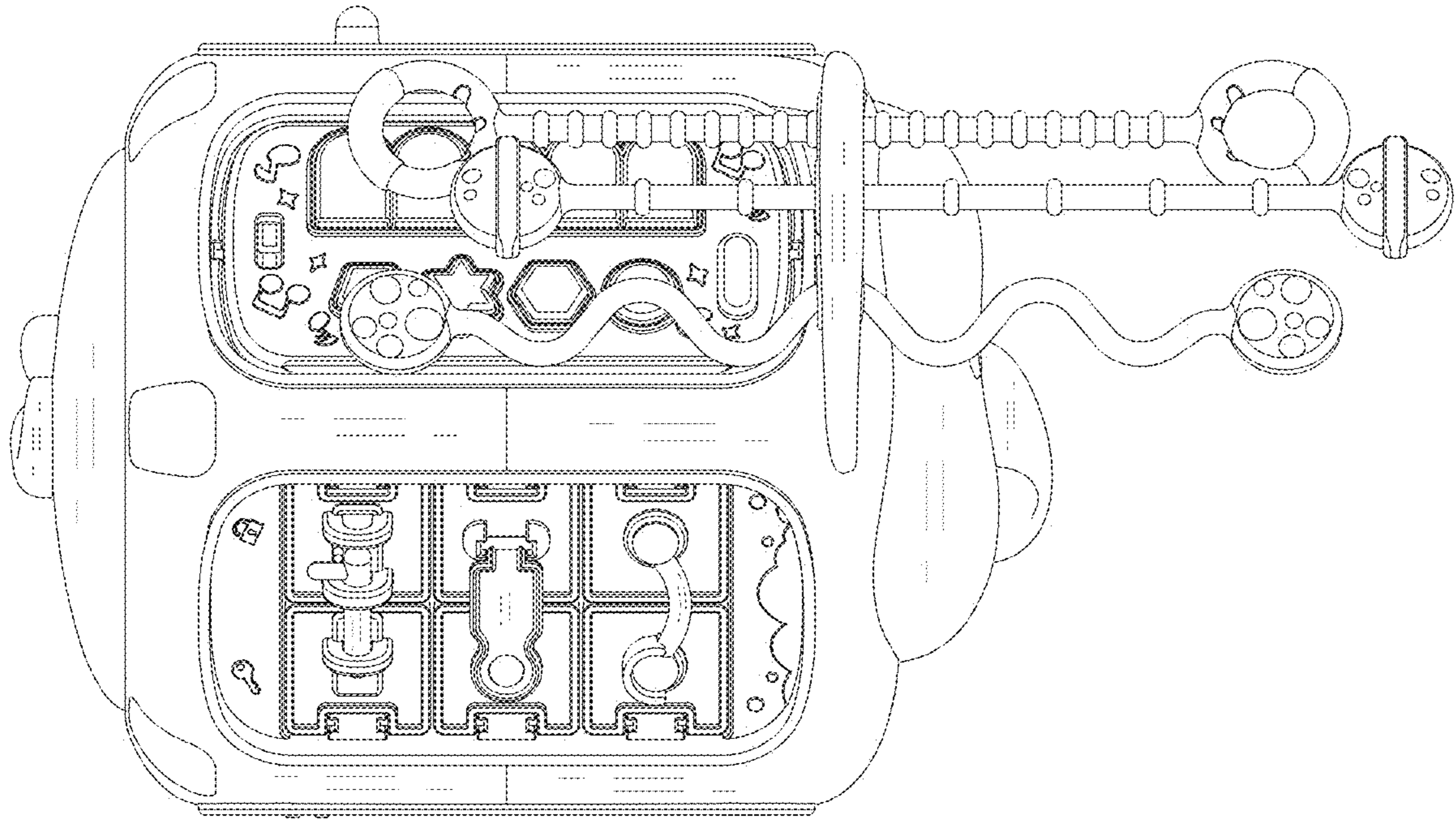


FIG. 5

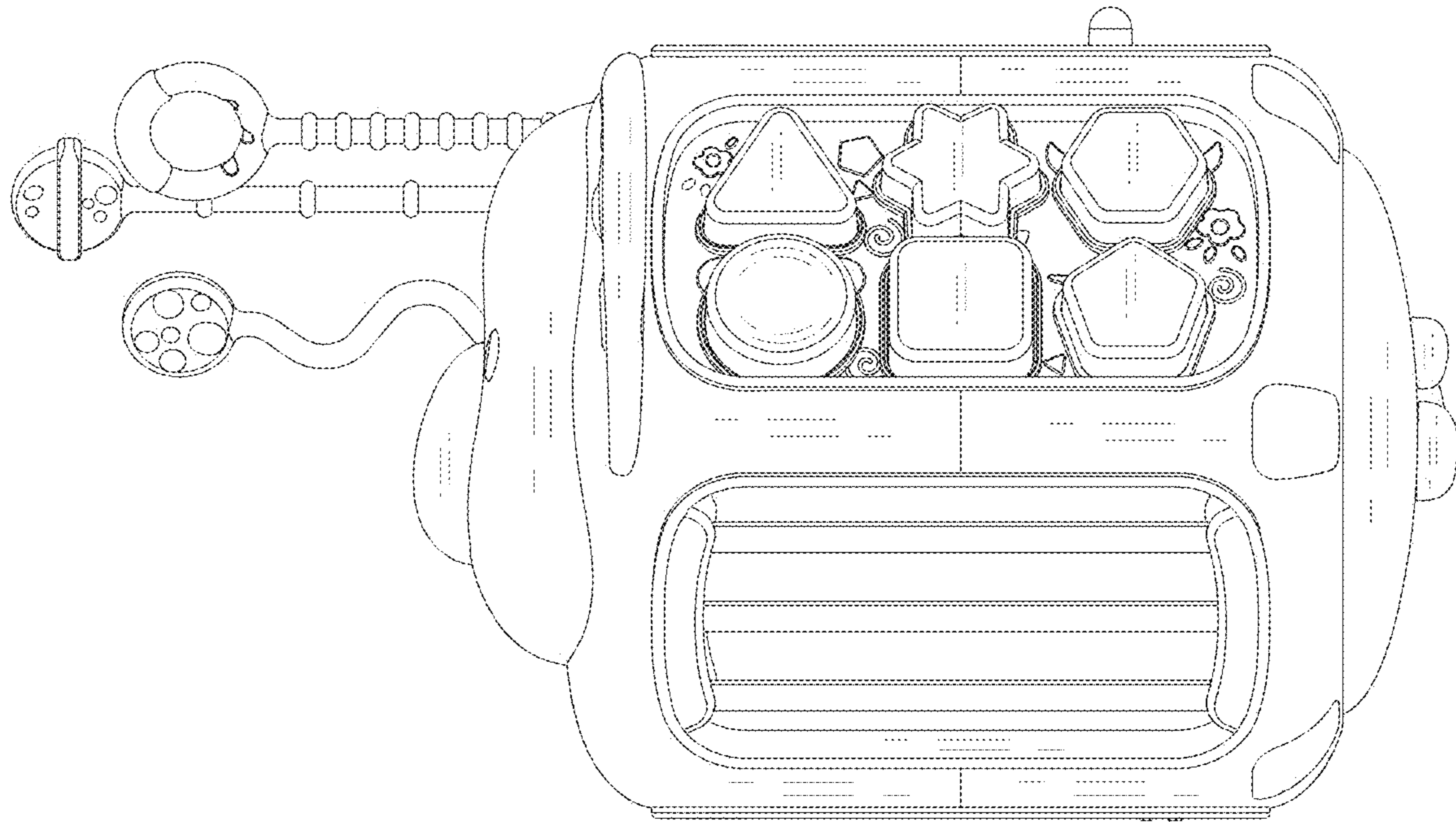


FIG. 6

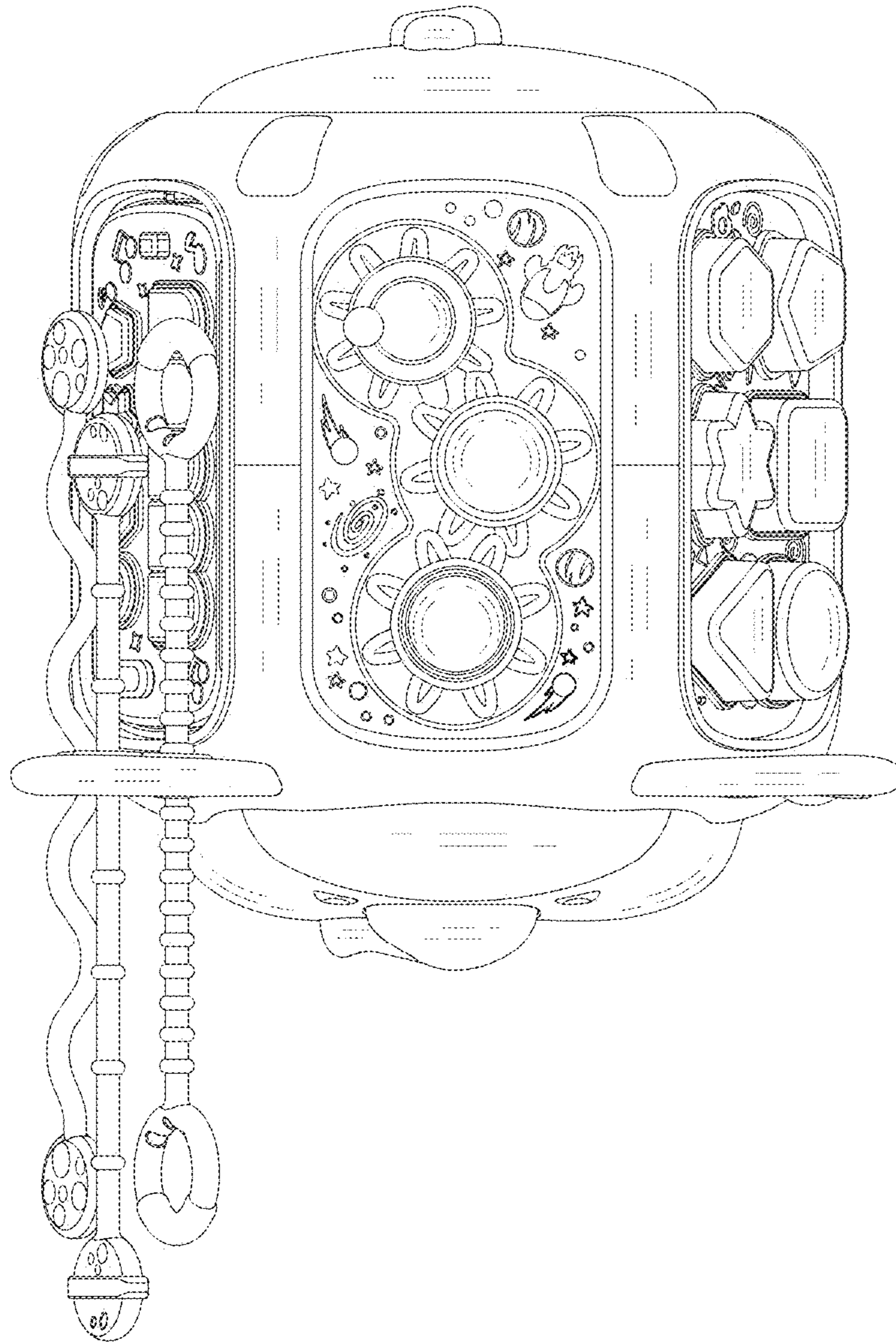


FIG. 7

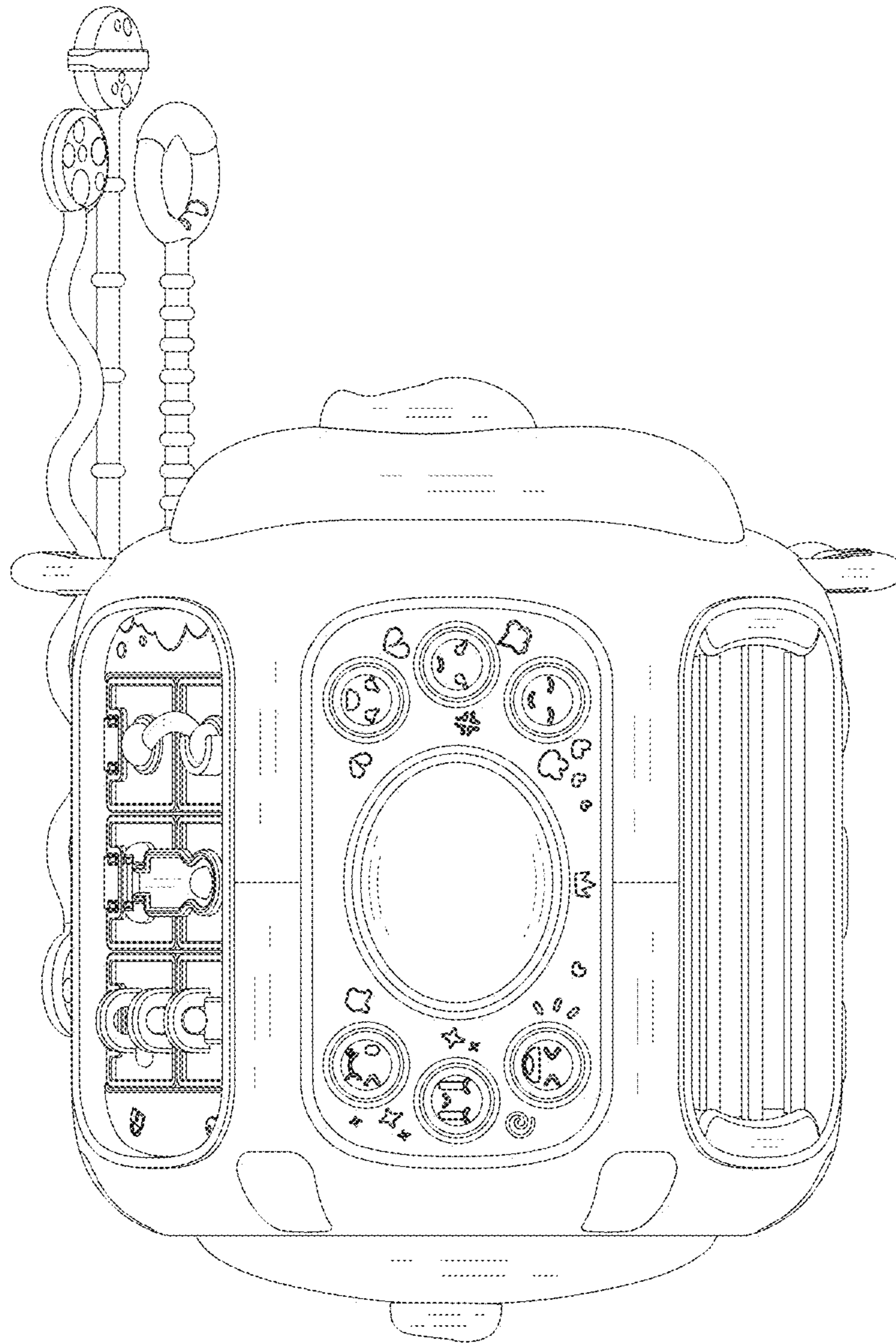


FIG. 8