



US00D982671S

(12) **United States Design Patent**
Qian et al.

(10) **Patent No.:** **US D982,671 S**
(45) **Date of Patent:** **** Apr. 4, 2023**

(54) **SCOOTER HEAD**

(71) Applicant: **Ninebot (Beijing) Tech Co., Ltd.**,
Beijing (CN)

(72) Inventors: **Yujie Qian**, Beijing (CN); **Jun Tang**,
Beijing (CN); **Yiye Gu**, Beijing (CN)

(**) Term: **15 Years**

(21) Appl. No.: **35/512,726**

(22) Filed: **Apr. 14, 2021**

(80) **Hague Agreement Data**

Int. Filing Date: **Apr. 14, 2021**

Int. Reg. No.: **DM/214452**

Int. Reg. Date: **Apr. 14, 2021**

Int. Reg. Pub. Date: **Oct. 15, 2021**

(30) **Foreign Application Priority Data**

Oct. 14, 2020 (CN) 202030611653.X

(51) **LOC (14) Cl.** **12-11**

(52) **U.S. Cl.**
USPC **D21/423**

(58) **Field of Classification Search**

USPC D21/419, 421, 423, 760, 765, 771;
D12/1, 8, 107, 110, 112-114
CPC . B62K 3/002; B62K 9/00; B62K 9/02; B62K
2202/00; B62K 13/00; B62K 11/00;
B62K 11/02; B62K 11/06; B62K 11/10;
B62K 15/00; B62K 17/00; B60Y
2200/126;

(Continued)

(56) **References Cited**

U.S. PATENT DOCUMENTS

6,416,060 B1 * 7/2002 Chen B62K 3/002
40/437

D547,389 S * 7/2007 Hong D21/423

(Continued)

FOREIGN PATENT DOCUMENTS

CN 305895240 * 7/2020

EM 008027643-0005 * 9/2020

(Continued)

OTHER PUBLICATIONS

Tim Nelson and Elizabeth Dunbar, "Electric scooter rentals debut in Twin Cities; Mpls. eyes regulation," Jul. 10, 2018, mprnews.org, site visited Aug. 4, 2022, URL: <https://www.mprnews.org/story/2018/07/10/electric-scooter-rentals-debut-twin-cities-hours-before-mpls-vote> (Year: 2018).*

(Continued)

Primary Examiner — Christy Nemeth

Assistant Examiner — Sarah L Smith

(57) **CLAIM**

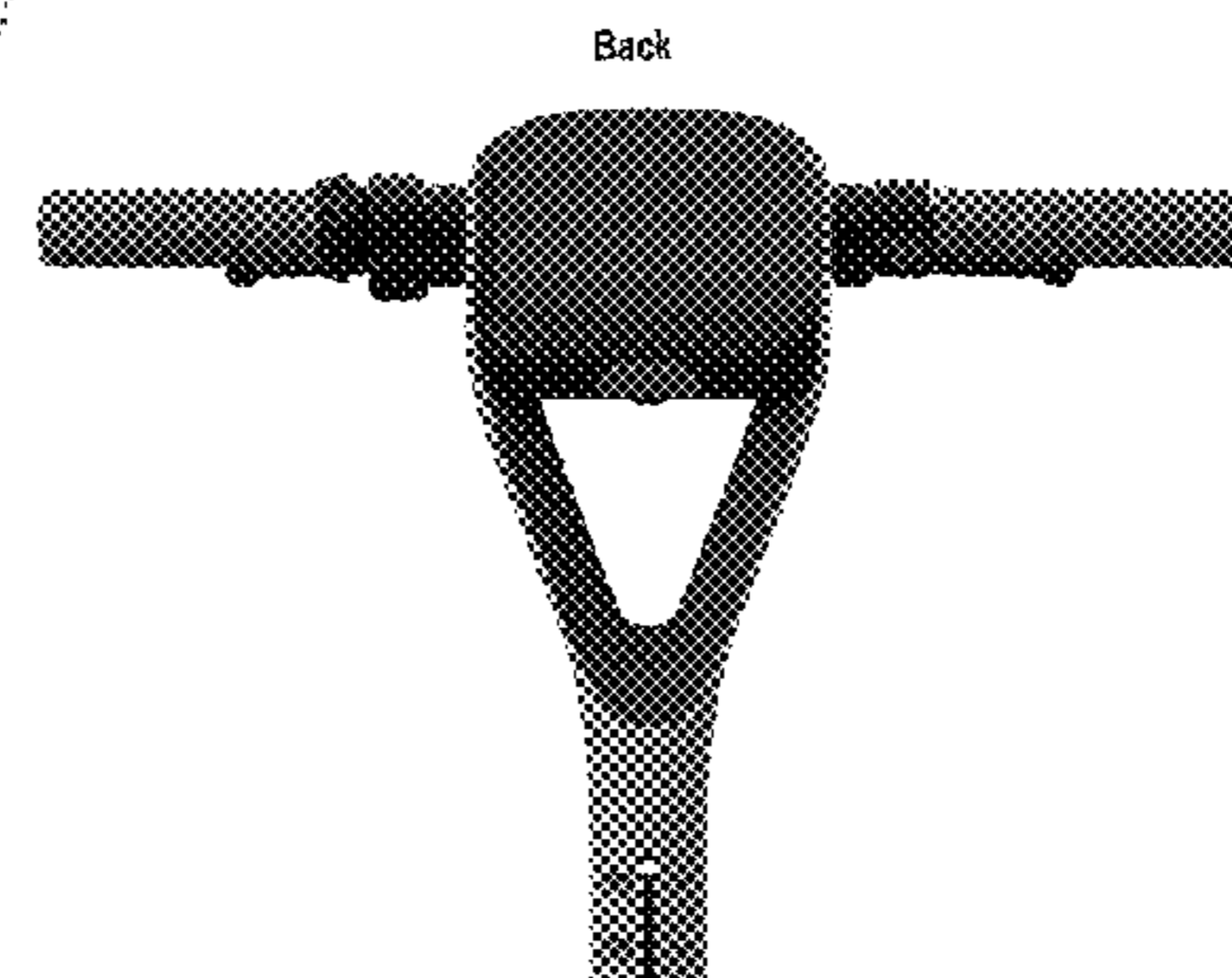
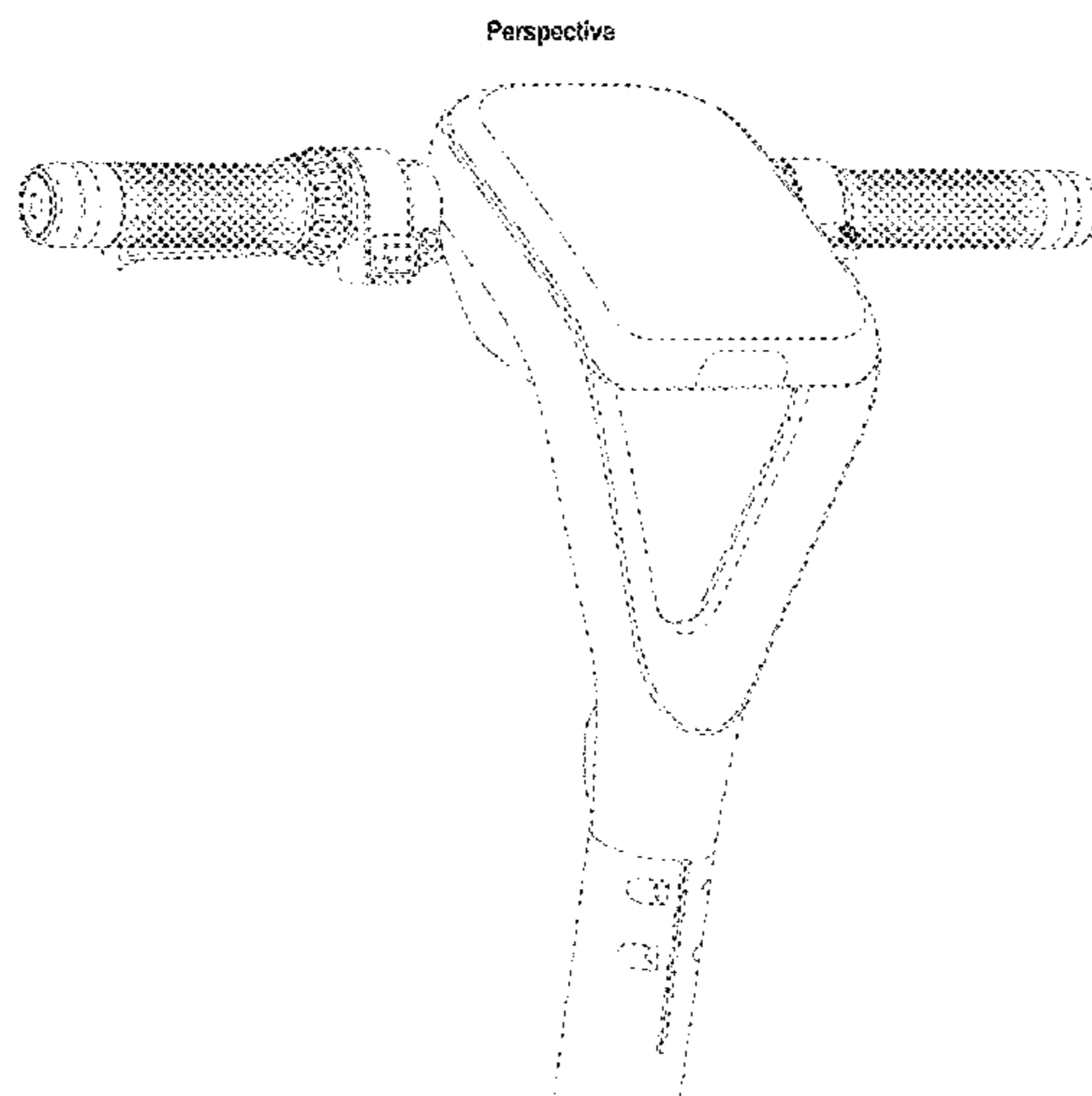
The ornamental design for a scooter head, as shown and described.

DESCRIPTION

1. Scooter head
2. Scooter head
 - 1.1: Front
 - 1.2: Back
 - 1.3: Left
 - 1.4: Right
 - 1.5: Top
 - 1.6: Bottom
 - 1.7: Perspective
 - 2.1: Front
 - 2.2: Back
 - 2.3: Left
 - 2.4: Right
 - 2.5: Top
 - 2.6: Bottom
 - 2.7: Perspective

The portions of the scooter head shown in broken lines form no part of the claimed design.

1 Claim, 14 Drawing Sheets



(58) **Field of Classification Search**

CPC H04W 4/40; B60L 2200/24; B60L 3/102;
B60L 3/0061; B60L 50/60; B60L 2200/16
See application file for complete search history.

(56) **References Cited**

U.S. PATENT DOCUMENTS

D832,930 S * 11/2018 Shen B62K 3/002
D21/423
D866,674 S * 11/2019 Li D12/112
D923,105 S * 6/2021 Peng D21/423
D927,604 S * 8/2021 Han D21/423
D936,151 S * 11/2021 Lisle D21/423
D949,748 S * 4/2022 Lu B62D 51/001
D12/110
2005/0134014 A1* 6/2005 Xie B62D 51/001
280/93.502
2014/0067178 A1* 3/2014 Taira B60T 8/17
701/22

FOREIGN PATENT DOCUMENTS

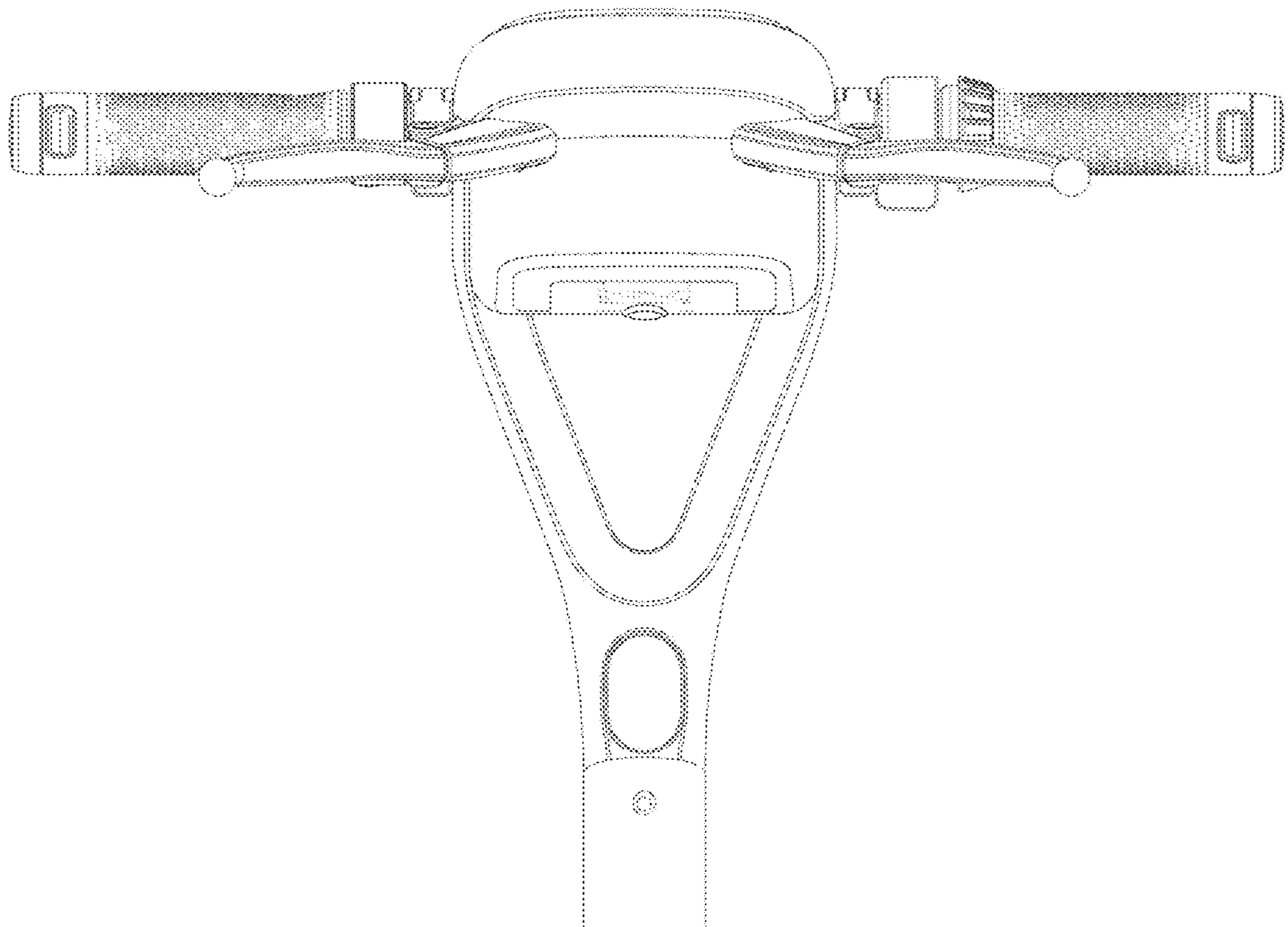
GB 2466241 A * 6/2010 B62K 3/002
JP 2002234476 A * 8/2002 B62K 3/002
WO WO-2018068280 A1 * 4/2018 B62B 1/00
WO D206518-002 * 3/2020

OTHER PUBLICATIONS

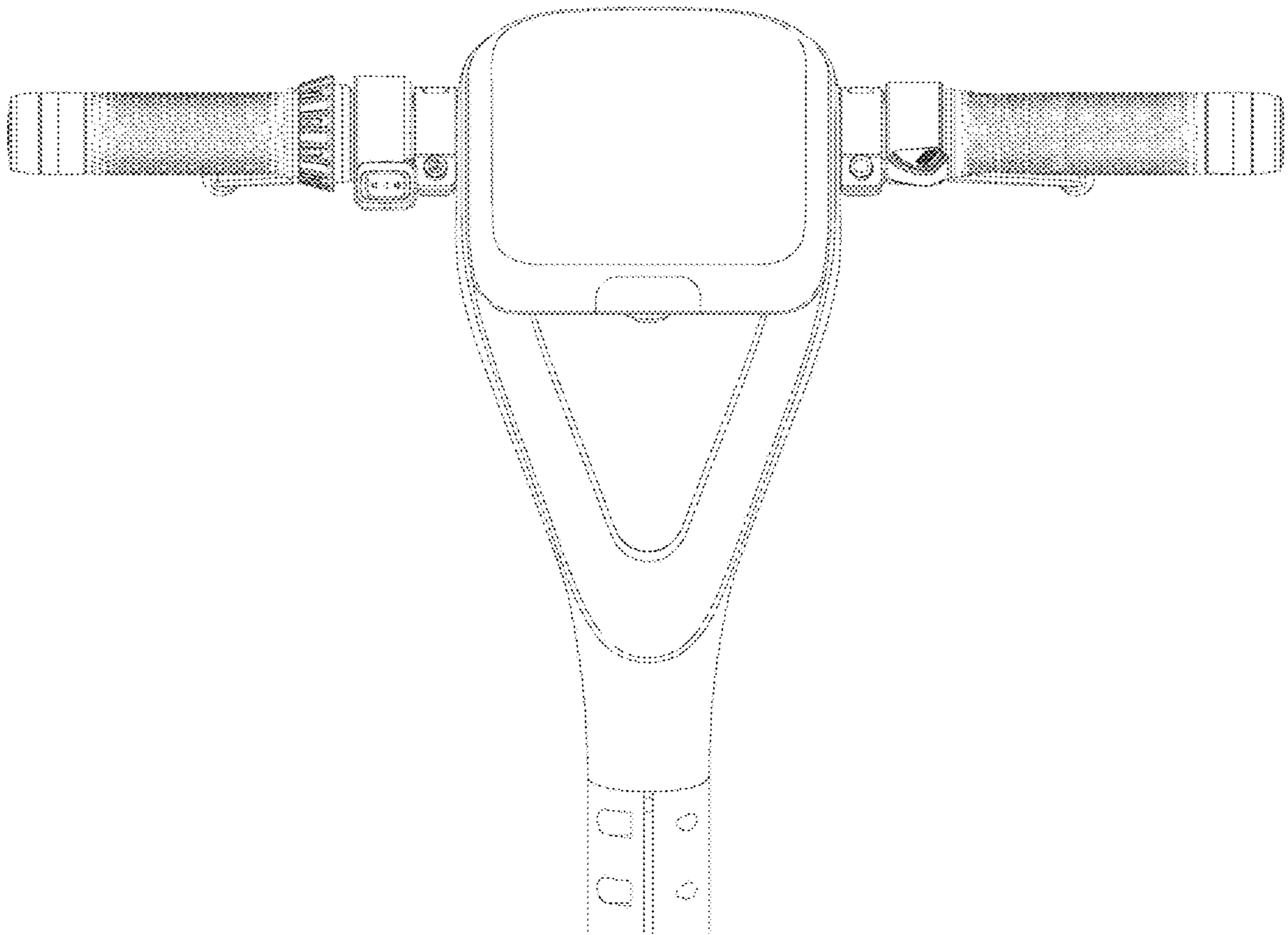
Amy Tucker, "We tried both Calgary e-scooter brands Lime and Bird—here's how they compare," Jul. 30, 2019, thestar.com, site visited Aug. 4, 2022, URL: <https://www.thestar.com/calgary/2019/07/29/we-tried-both-calgary-e-scooter-brands-lime-and-bird-heres-how-they-compare.html> (Year: 2019).*

* cited by examiner

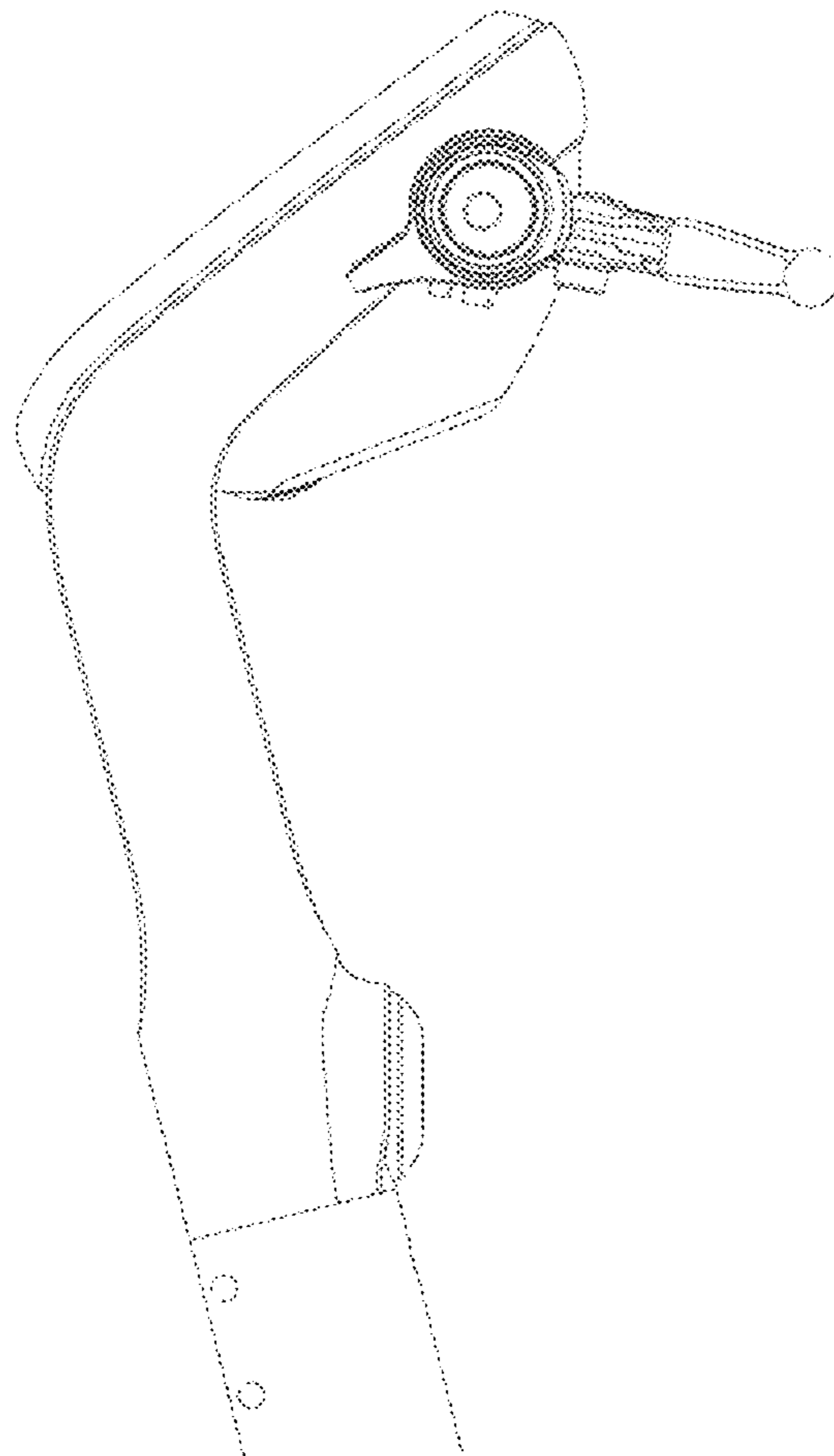
1.1
Front



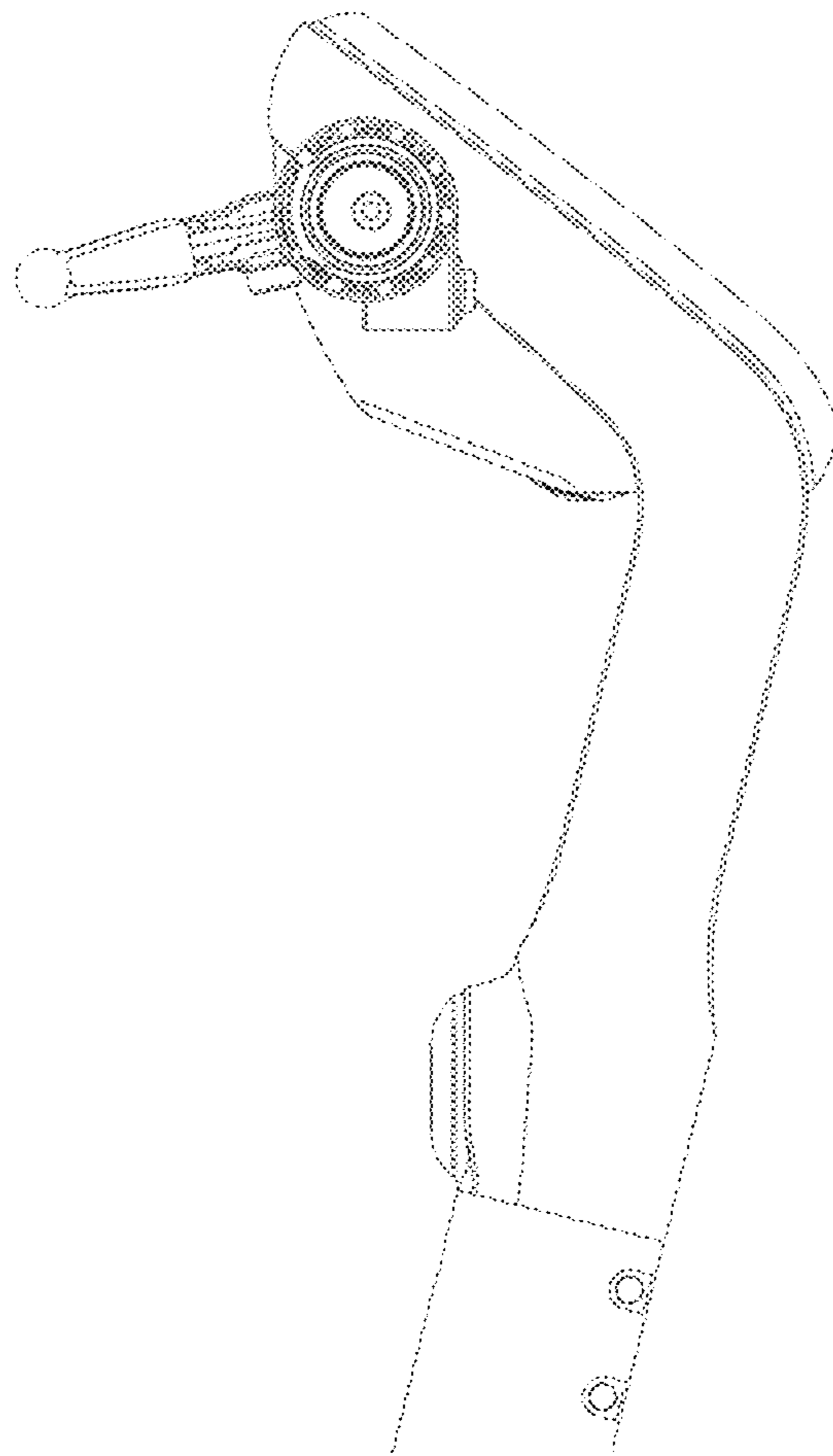
1.2
Back



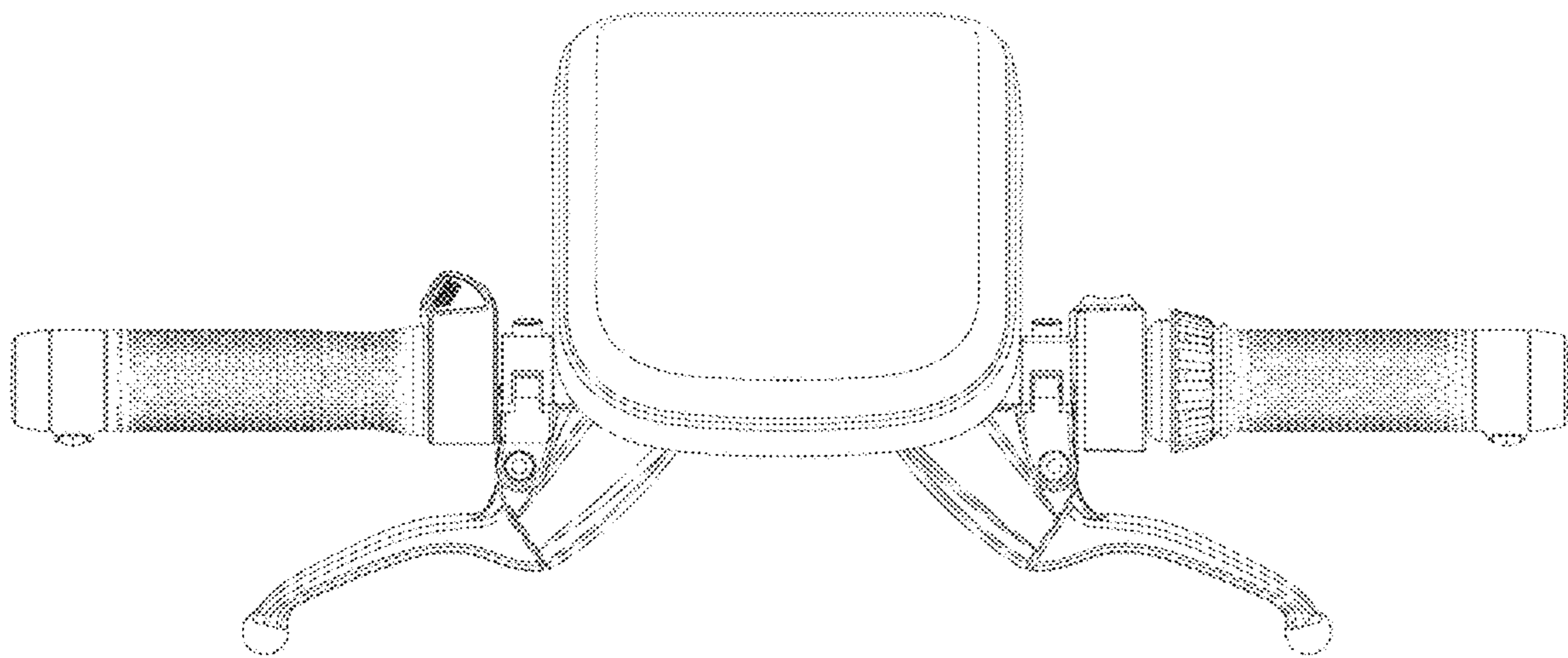
1.3
Left



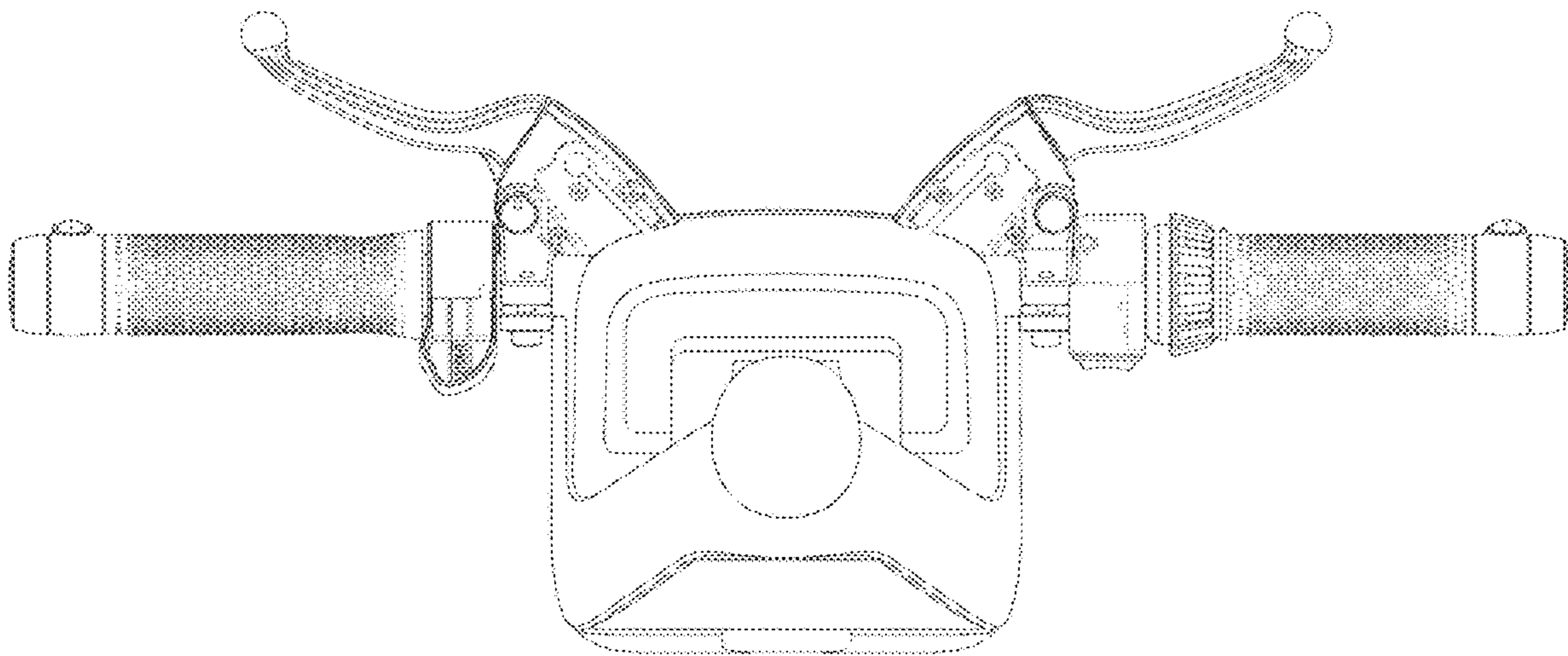
1.4
Right



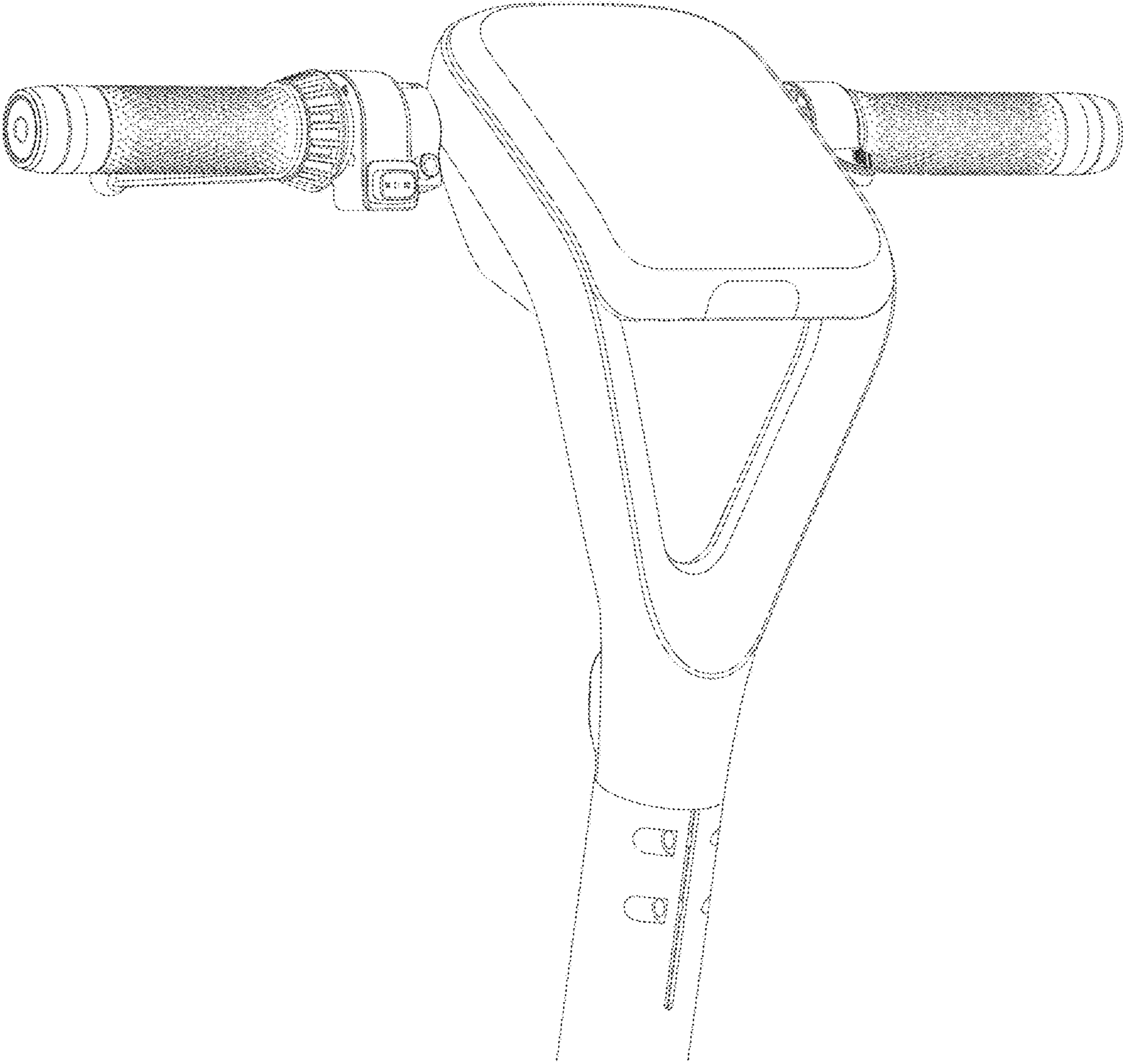
1.5
Top



1.6
Bottom



1.7
Perspective



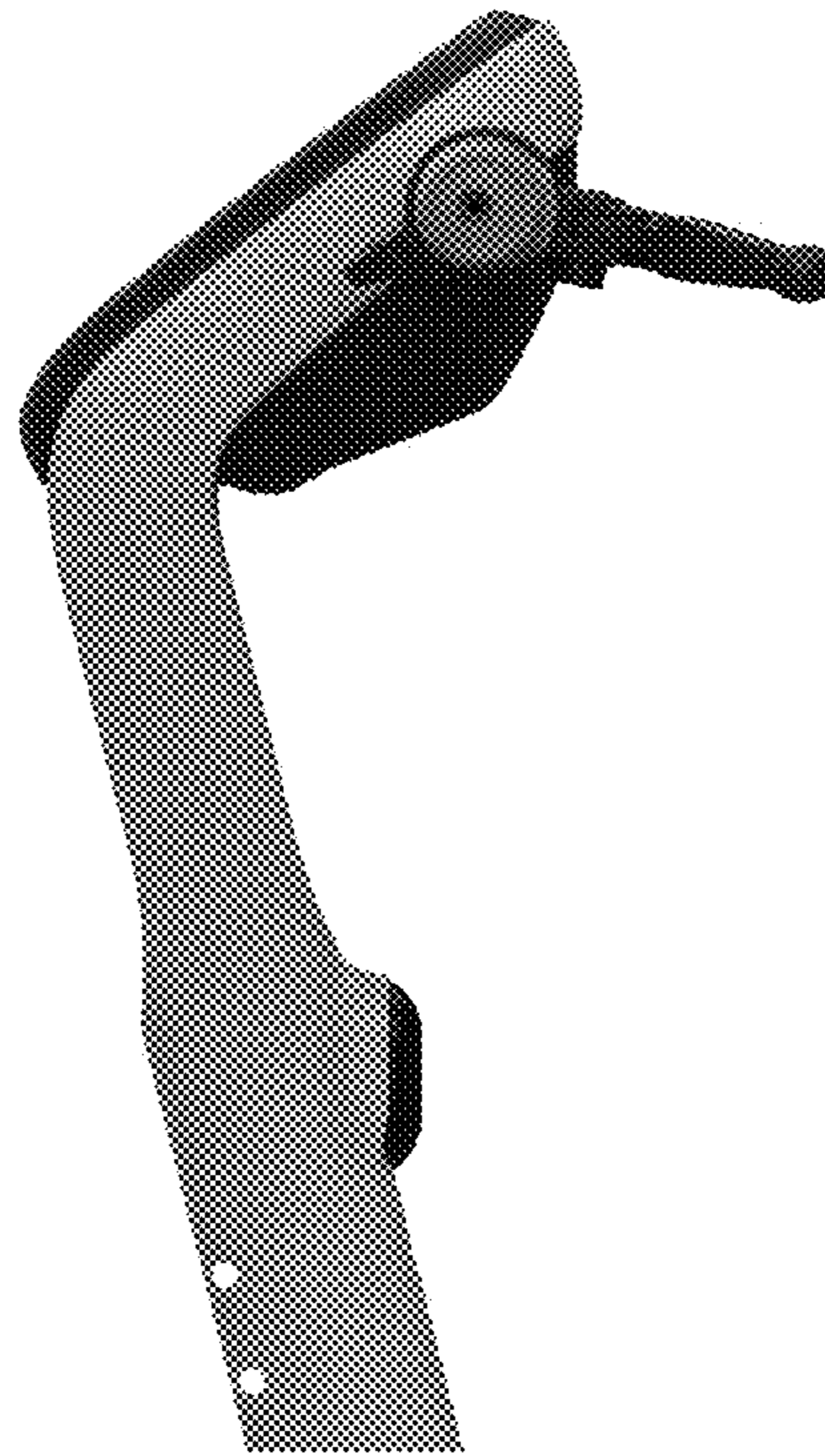
2.1
Front



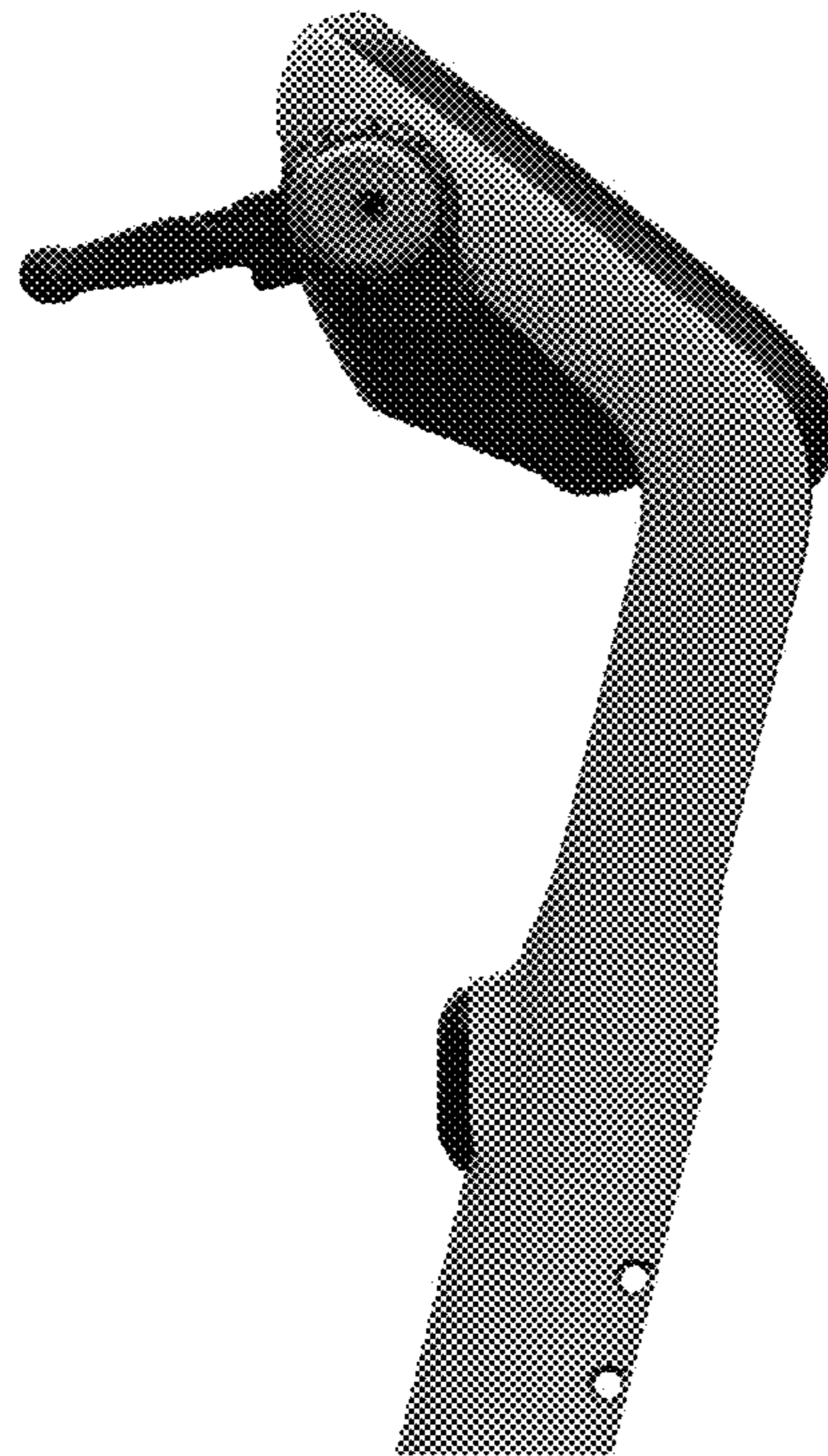
2.2
Back



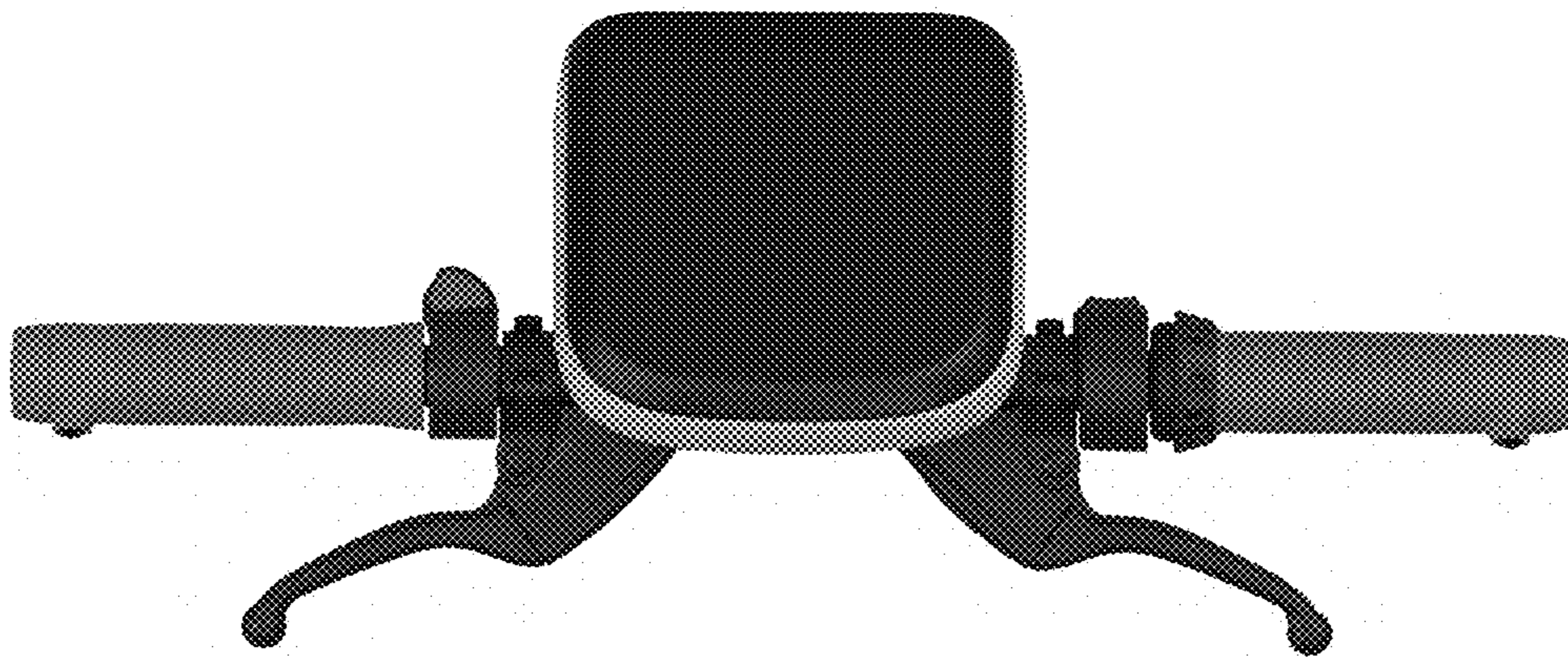
2.3
Left



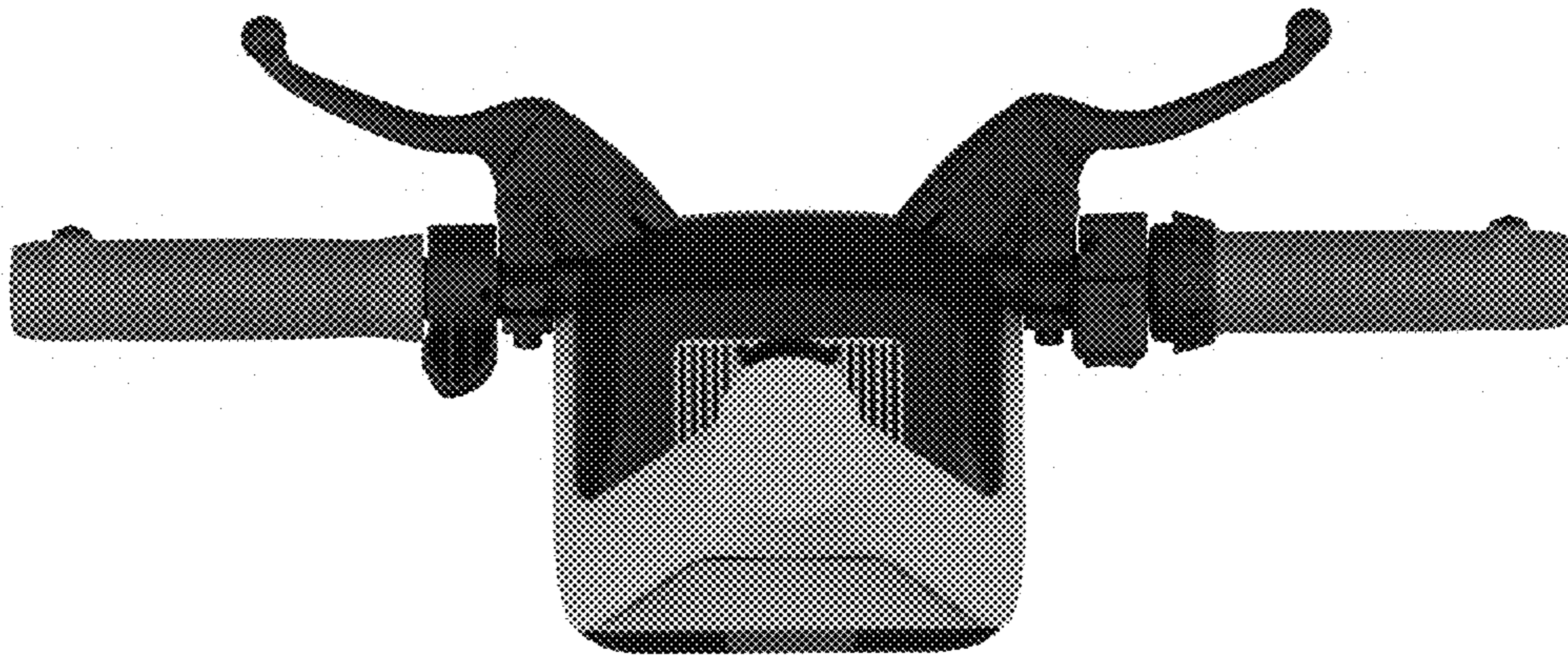
2.4
Right



2.5
Top



2.6
Bottom



2.7
Perspective

