



US00D982670S

(12) **United States Design Patent**
Zhu et al.

(10) **Patent No.:** **US D982,670 S**
(45) **Date of Patent:** **** Apr. 4, 2023**

(54) **ELECTRIC SCOOTER**

D877,257 S * 3/2020 Cao D21/423
D877,258 S * 3/2020 Cao D21/423
D889,557 S * 7/2020 Cao D21/423

(71) Applicant: **ZHEJIANG TAOTAO VEHICLES CO., LTD.**, Lishui (CN)

(Continued)

(72) Inventors: **Haibo Zhu**, Lishui (CN); **Jianbing Wu**, Lishui (CN); **Hongfeng Tian**, Lishui (CN); **Dupu Ding**, Lishui (CN); **Guofu Zou**, Lishui (CN)

FOREIGN PATENT DOCUMENTS

CN 106005189 A * 10/2016 B62K 11/02
CN 304679131 * 6/2018

(Continued)

(73) Assignee: **ZHEJIANG TAOTAO VEHICLES CO., LTD.**, Lishui (CN)

OTHER PUBLICATIONS

(**) Term: **15 Years**

Nick Start, "A Cyclone of Scooters Has Descended On Austin for SXSW, for Better or Worse," Mar. 11, 2019, theverge.com, site visited Aug. 23, 2021, URL: <https://www.theverge.com/2019/3/11/18260154/austin-scooters-bird-lime-uber-jump-sxsw-2019-dangerous-future-urban-transit> (Year: 2019).*

(Continued)

(21) Appl. No.: **29/652,553**

(22) Filed: **Sep. 17, 2020**

(30) **Foreign Application Priority Data**

Jul. 13, 2020 (CN) 202030375252.9
Jul. 13, 2020 (CN) 202030375315.0

Primary Examiner — Richard Kearney

Assistant Examiner — Sarah L Smith

(74) *Attorney, Agent, or Firm* — Schwegman Lundberg & Woessner, P.A.

(51) **LOC (14) Cl.** **12-11**

(52) **U.S. Cl.**
USPC **D21/423**

(57) **CLAIM**

The ornamental design for an electric scooter, as shown and described.

(58) **Field of Classification Search**
USPC D21/419, 421, 423, 760, 765, 771;
D12/1, 8, 107, 110, 112-114
CPC . B62K 3/002; B62K 9/00; B62K 9/02; B62K 2202/00; B62K 13/00; B62K 11/00; B62K 11/02; B62K 11/06; B62K 11/10; B62K 15/00; B62K 17/00; B60Y 2200/126; H04W 4/40
See application file for complete search history.

DESCRIPTION

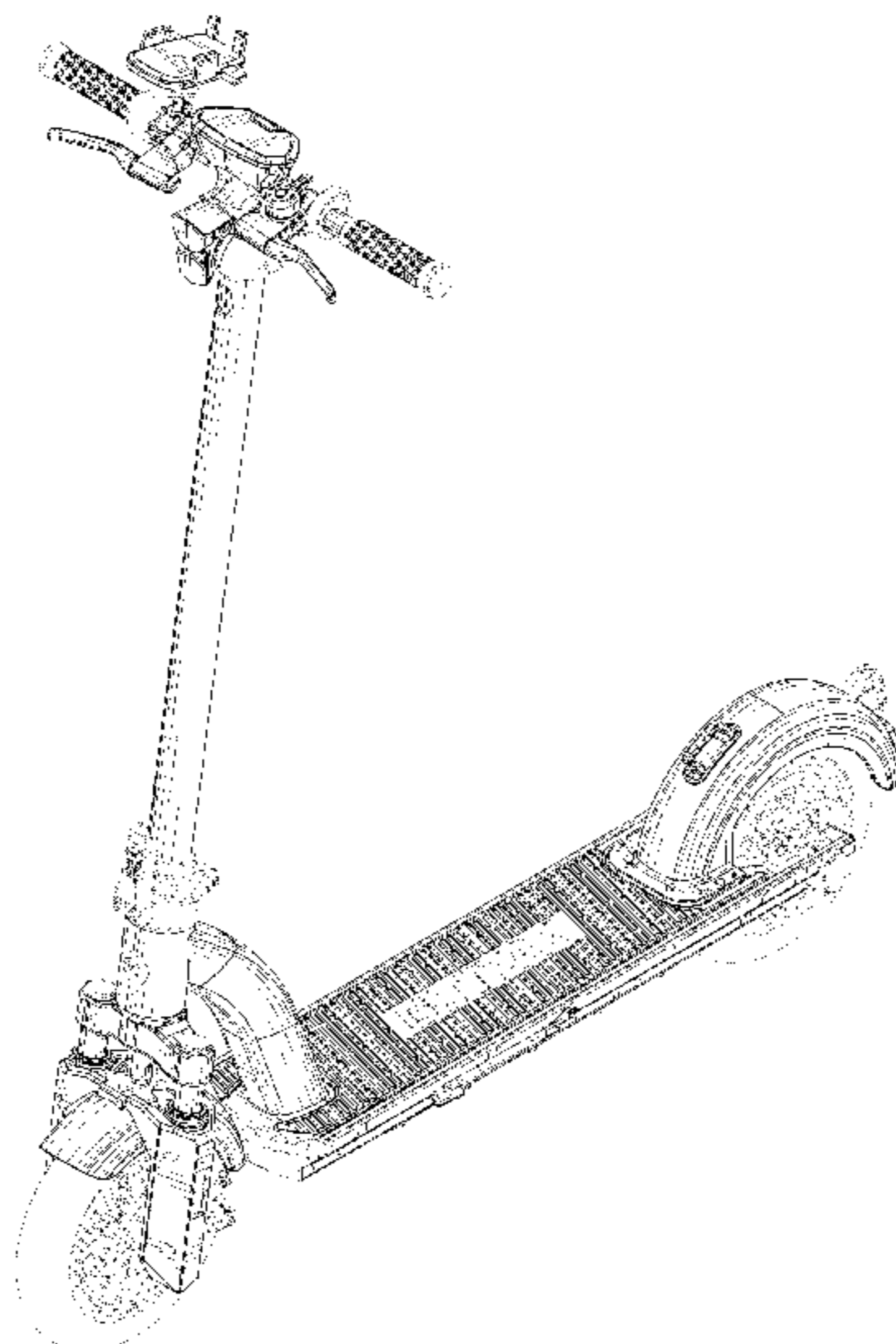
FIG. 1 is a perspective view of an electric scooter showing our new design according to a first embodiment;
FIG. 2 is a front view thereof;
FIG. 3 is a rear view thereof;
FIG. 4 is a left view thereof;
FIG. 5 is a right view thereof;
FIG. 6 is a top view thereof; and,
FIG. 7 is a bottom view thereof.
The broken lines showing portions of the electric scooter, to include the textured grip on the handlebars, form no part of the claimed design.

(56) **References Cited**

U.S. PATENT DOCUMENTS

D446,259 S * 8/2001 Udwin D21/423
D654,963 S * 2/2012 Powers B62K 3/002
D21/423

1 Claim, 7 Drawing Sheets



(56)

References Cited

U.S. PATENT DOCUMENTS

D890,852 S * 7/2020 Yang D21/423
 D903,002 S * 11/2020 Wang D21/423
 D911,457 S * 2/2021 Yu D21/423
 D914,103 S * 3/2021 Cao D21/423
 D915,524 S * 4/2021 Cao D21/423
 D916,985 S * 4/2021 Wu D21/423
 D917,624 S * 4/2021 Wu D21/423
 D923,103 S * 6/2021 Zheng D21/423
 D923,714 S * 6/2021 Shen D21/423
 D923,715 S * 6/2021 Wang D21/423
 D940,251 S * 1/2022 Wang D21/423
 D940,252 S * 1/2022 Deng D21/423
 D942,550 S * 2/2022 Tong D21/423
 11,364,967 B1 * 6/2022 Owen B62K 3/002
 D957,532 S * 7/2022 Wang D21/423
 2013/0320648 A1 * 12/2013 Eckert B62K 3/002
 280/281.1
 2014/0203538 A1 * 7/2014 Huang A47C 1/126
 280/639
 2016/0009332 A1 * 1/2016 Sirbu B62K 3/002
 180/220
 2017/0361765 A1 * 12/2017 Sung B62J 50/22
 2018/0251183 A1 * 9/2018 Meermann B62J 50/22
 2019/0367124 A1 * 12/2019 Liu B62K 3/002
 2021/0300503 A1 * 9/2021 North B62K 3/002

FOREIGN PATENT DOCUMENTS

CN 304743288 * 7/2018
 CN 305780653 * 5/2020 B62K 11/02
 CN 112874673 A * 6/2021 B62J 11/19
 CN 214138816 U * 9/2021
 CN 215575665 U * 1/2022
 CN 215706804 U * 2/2022
 CN 215944753 U * 3/2022
 DE 102018107492 A1 * 10/2019 B62K 15/006
 DE 102019007916 A1 * 5/2021
 EM 006770673-0001 * 10/2019 B62K 15/006
 EM 008012306-0004 * 7/2020 B62J 11/19

OTHER PUBLICATIONS

“Launch of the new BMW E-Scooter from autumn 2019,” May 23, 2019, press.bmwgroup.com, site visited Jun. 17, 2022, URL: <https://www.press.bmwgroup.com/global/article/detail/T0296232EN/launch-of-the-new-bmw-e-scooter-from-autumn-2019?language=en> (Year: 2019).*

“GoTrax,” Jun. 5, 2020, facebook.com, site visited Jun. 17, 2022, URL: <https://www.facebook.com/RideGOTRAX/photos/2583183745267450> (Year: 2020).*

* cited by examiner

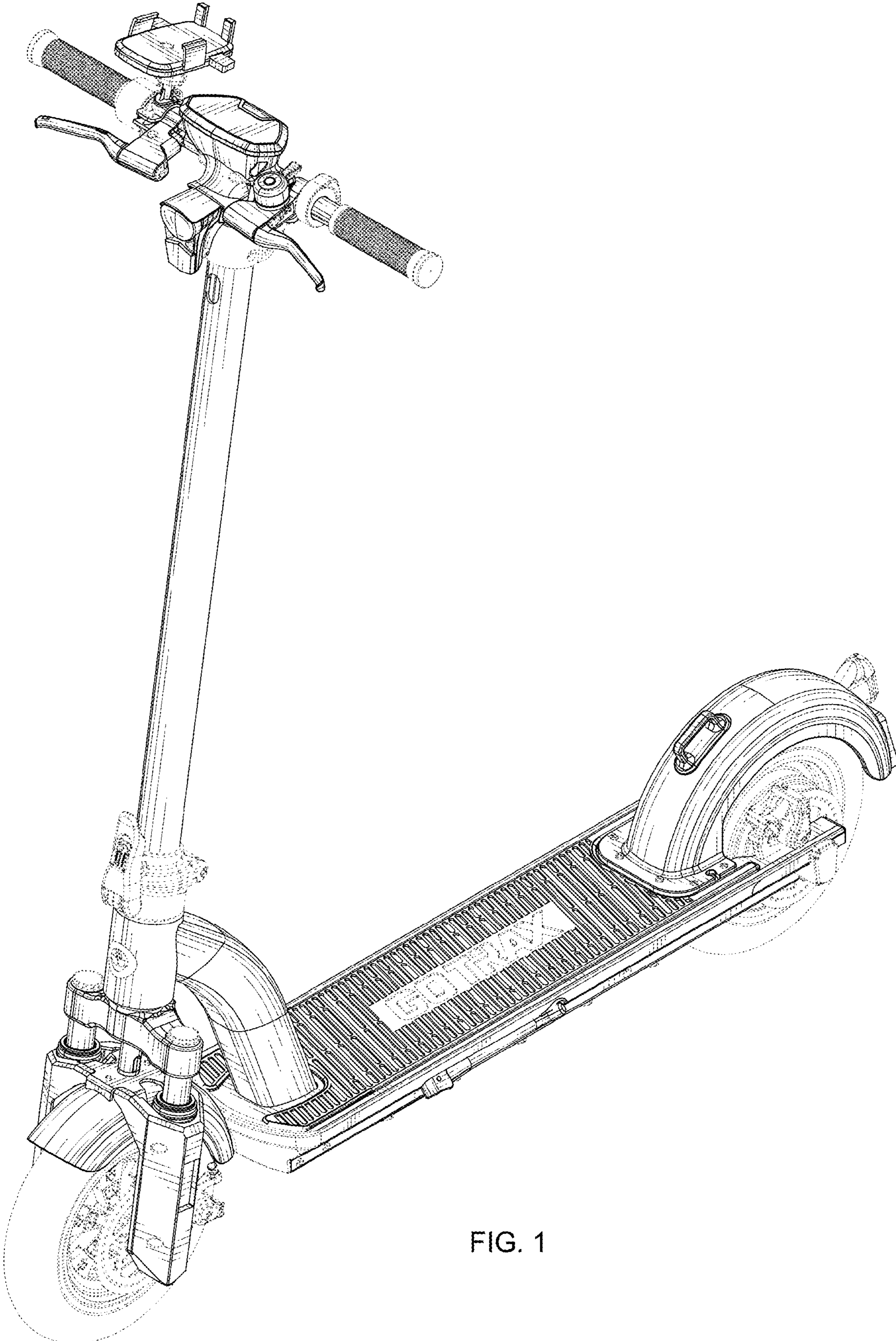


FIG. 1

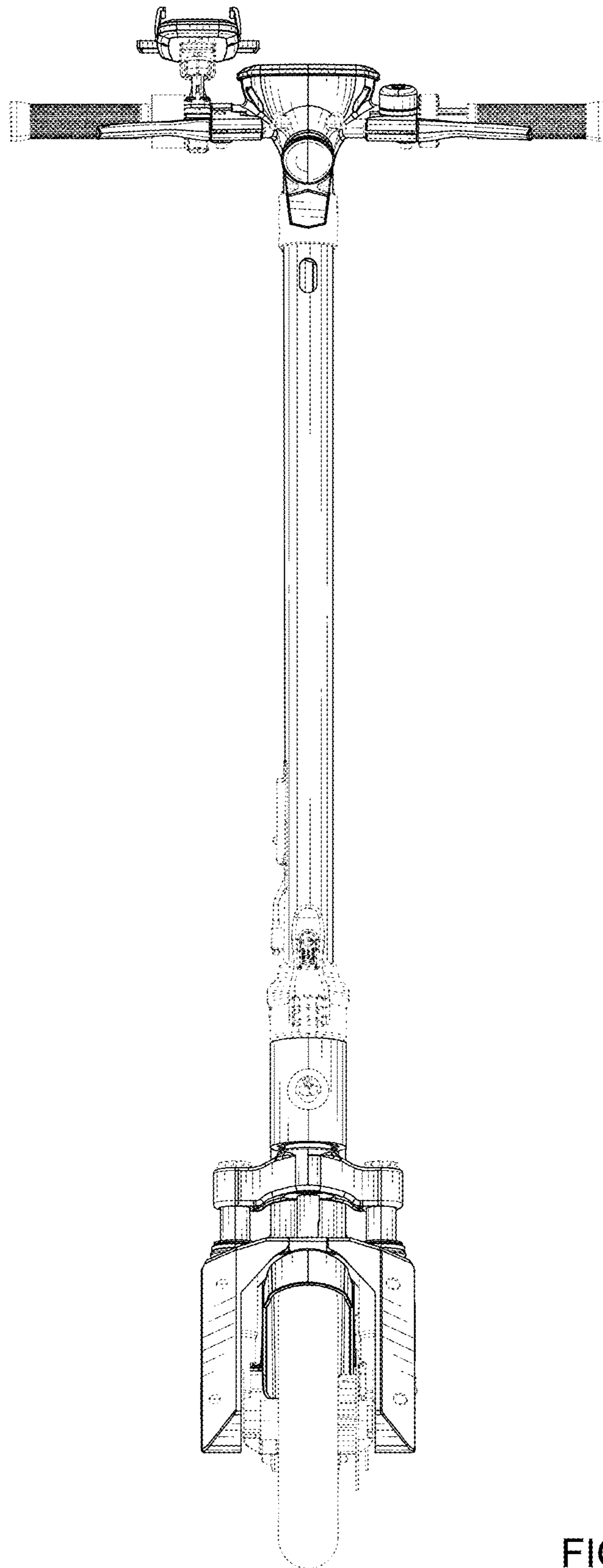


FIG. 2

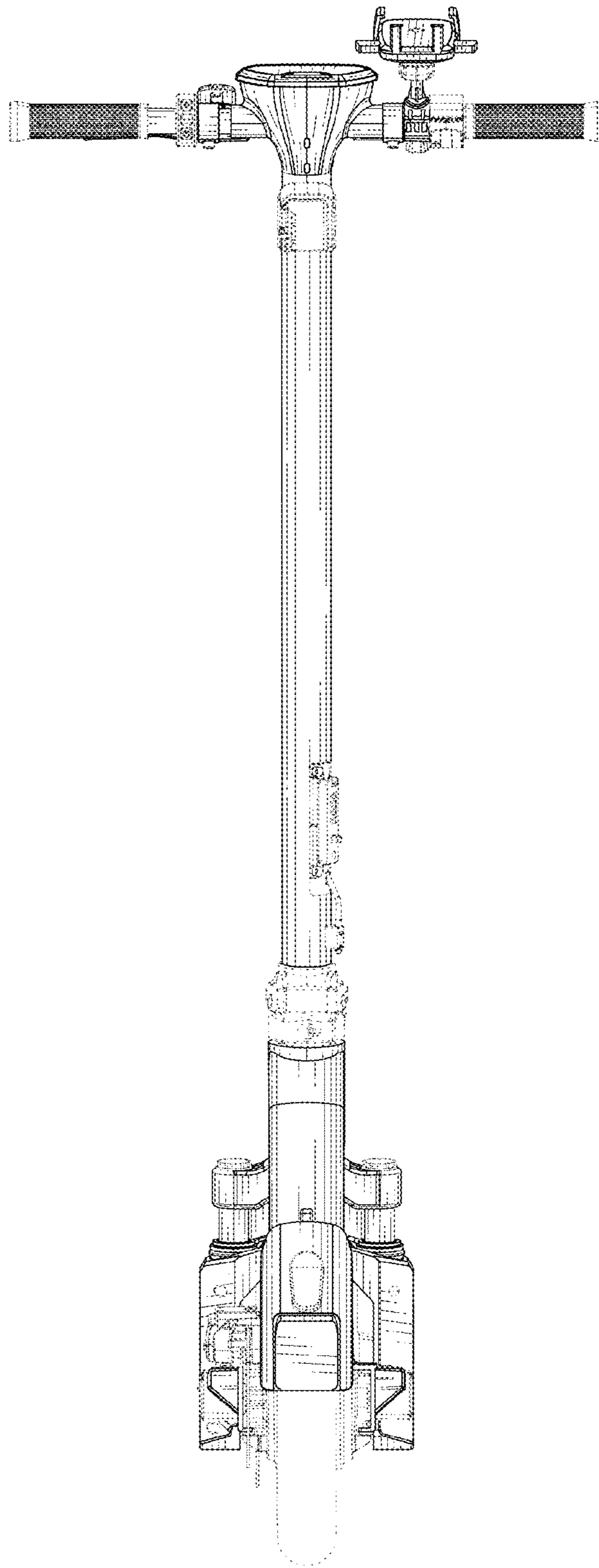


FIG. 3

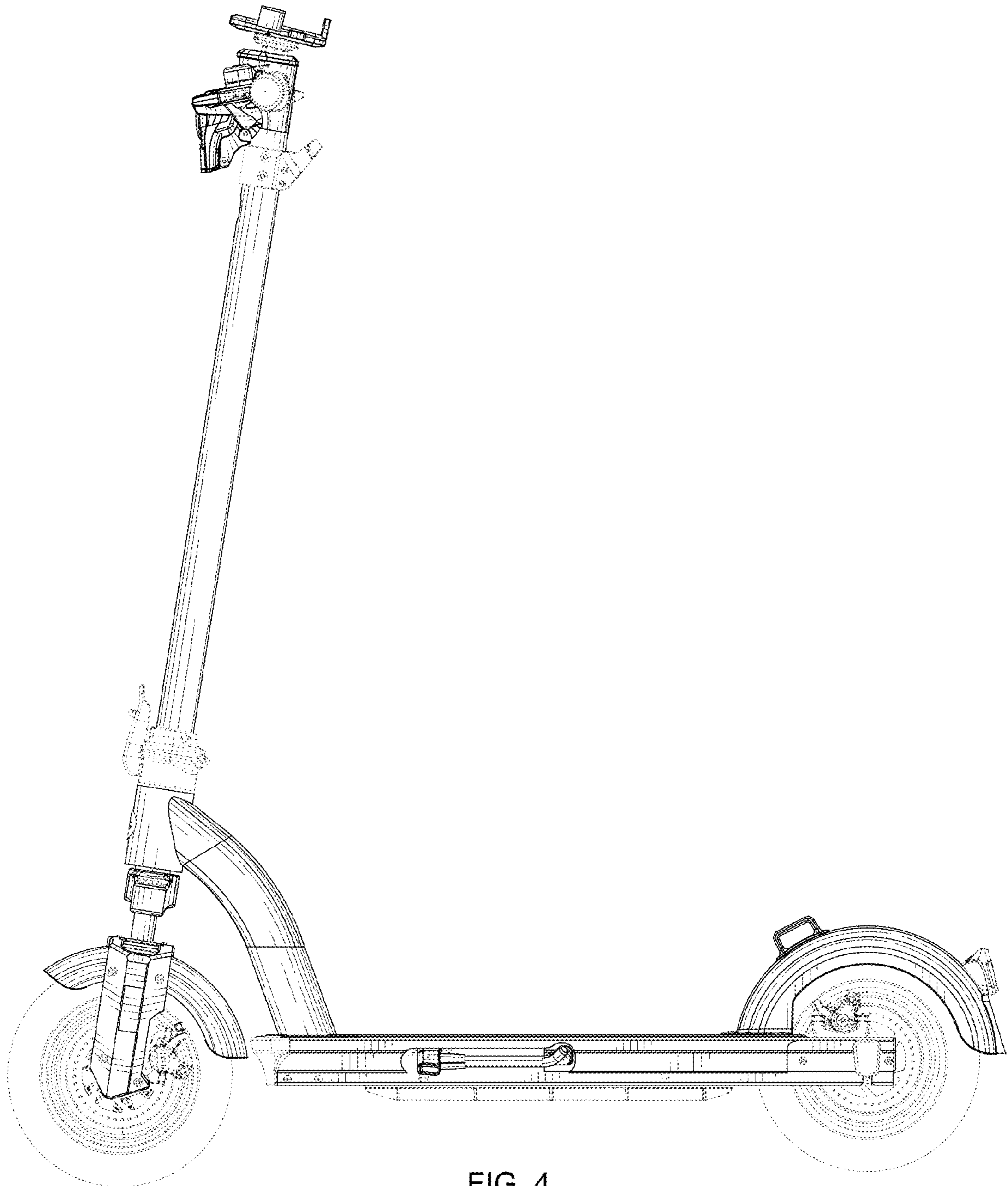


FIG. 4

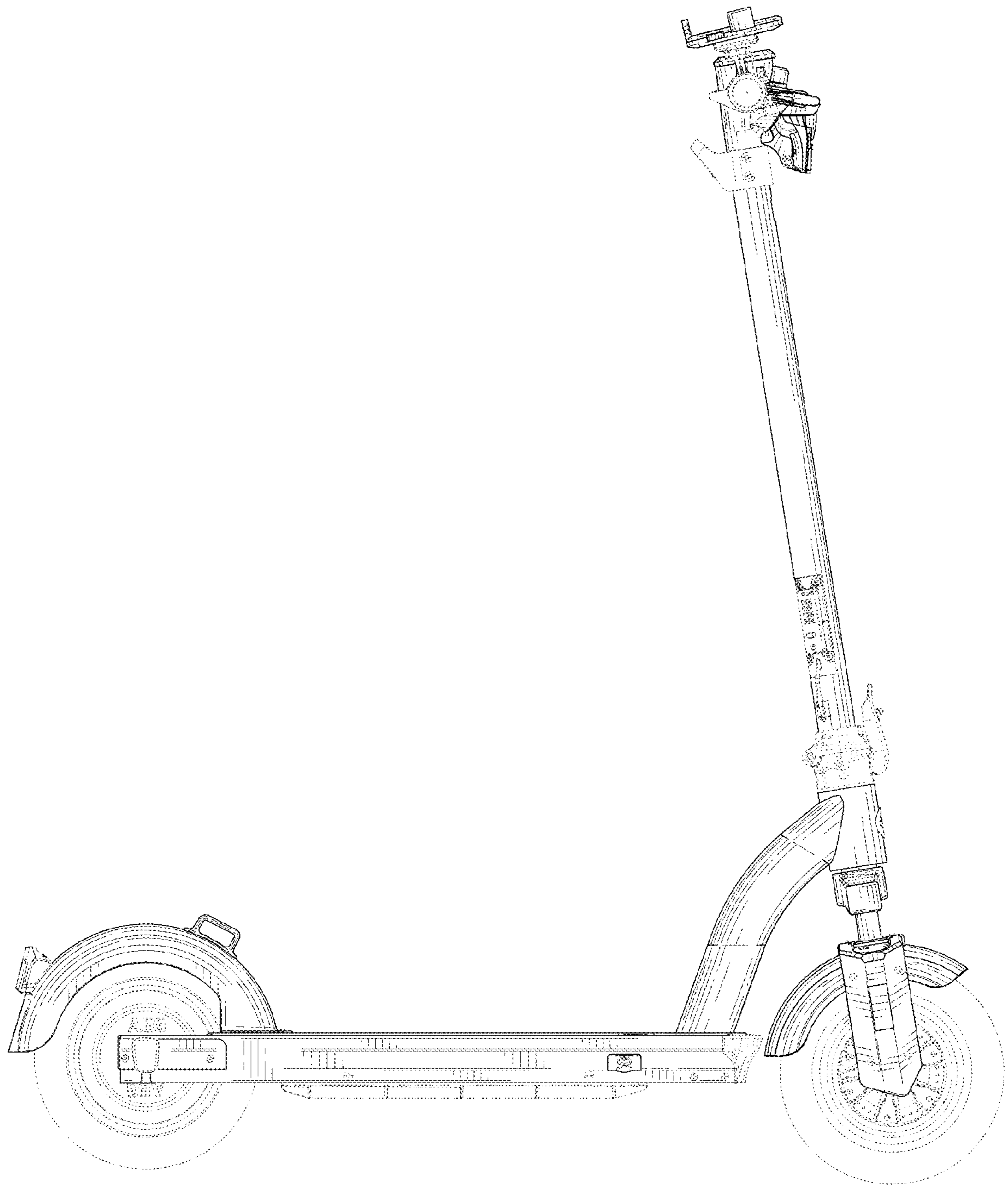


FIG. 5

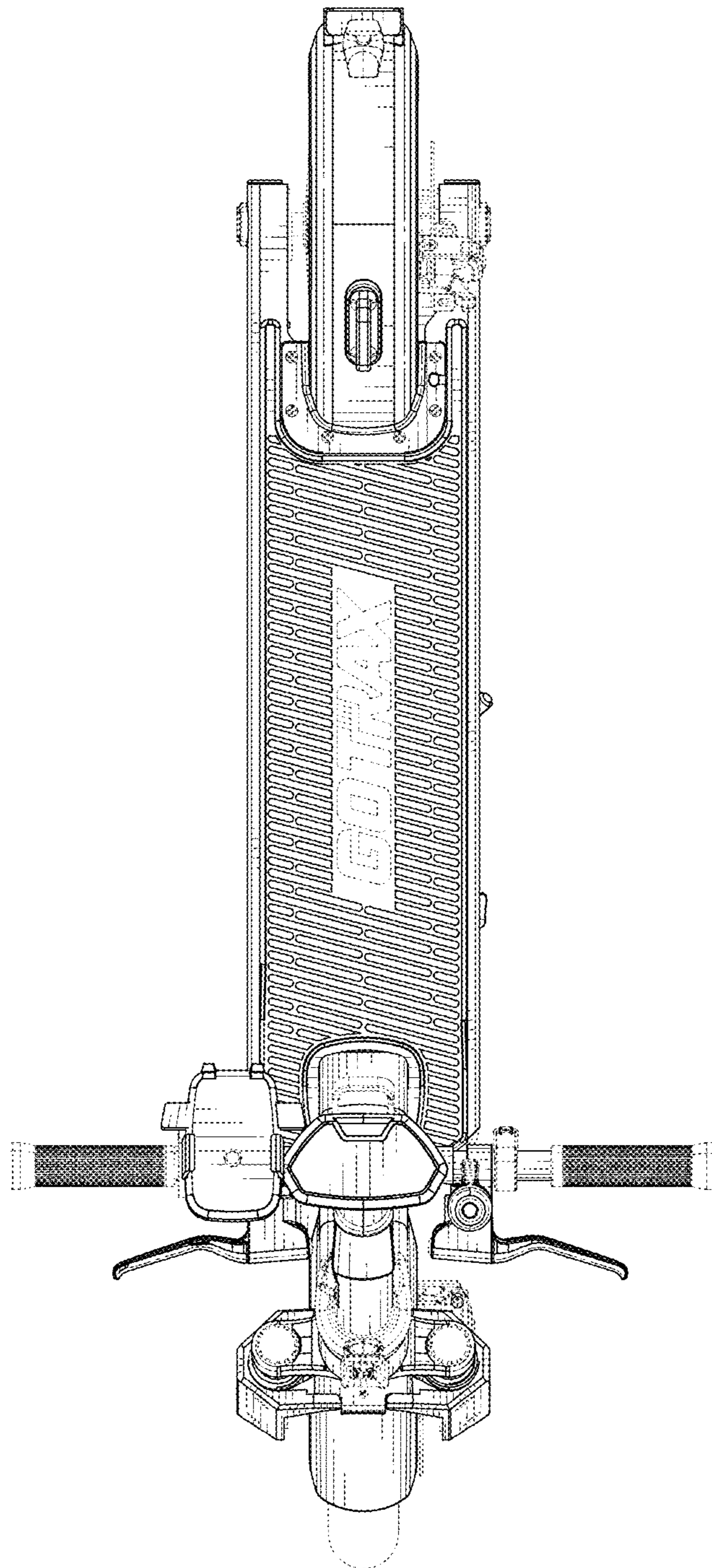


FIG. 6

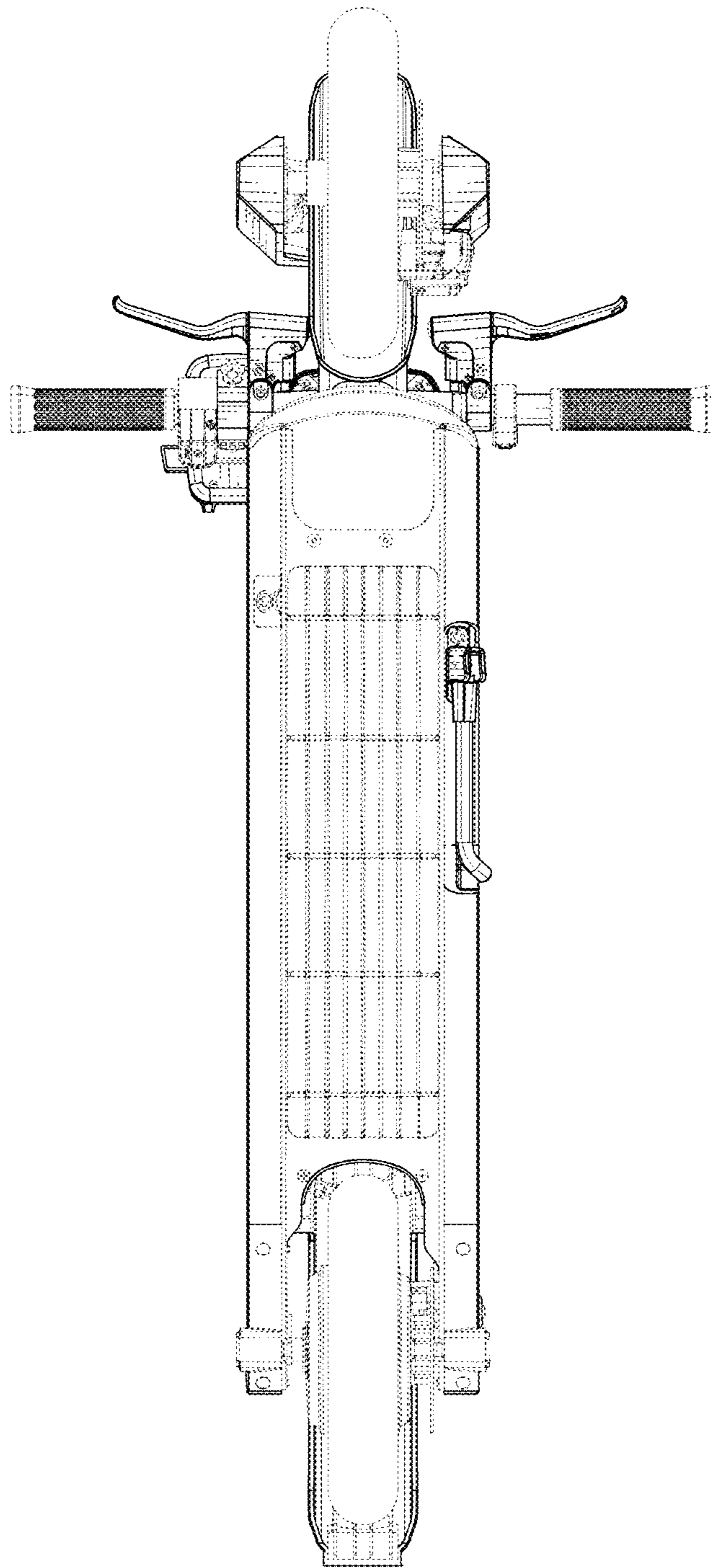


FIG. 7